



US00D679947S

(12) **United States Design Patent**
Romley

(10) **Patent No.:** **US D679,947 S**

(45) **Date of Patent:** **** Apr. 16, 2013**

(54) **BEVERAGE CUP**

(76) Inventor: **Michael Romley**, Phoenix, AZ (US)

(**) Term: **14 Years**

(21) Appl. No.: **29/416,505**

(22) Filed: **Mar. 22, 2012**

(51) **LOC (9) Cl.** **07-01**

(52) **U.S. Cl.**
USPC **D7/532; D7/523**

(58) **Field of Classification Search** D7/515,
D7/514, 532, 533, 510, 511, 619.1, 512, 509,
D7/523, 536, 524, 537, 528; D9/429, 502,
D9/538, 524; 215/13.1, 12.1, 10, 377; 229/400;
206/519; 220/703, 710.5, 630; D24/197;
D19/85

See application file for complete search history.

blue-yellow-green-1950s-ridged-pattern, screen shot taken Mar. 21, 2012.

The Web Restaurant Store, WNA Comet CCR9 9 oz. Clear Plastic Classicware Rocks Cup, <http://www.webstaurantstore.com/wna-comet-ccr9-9-oz-clear-plastic-classicware-rocks-cup-20-pk/999CCR9%20%20%20%20%20CL20.html>, screen shot taken Mar. 21, 2012.

* cited by examiner

Primary Examiner — Marianne Pandozzi

(74) *Attorney, Agent, or Firm* — Venable, Campillo, Logan & Meaney, P.C.

(57) **CLAIM**

The ornamental design for a beverage cup, as shown and described.

(56) **References Cited**

U.S. PATENT DOCUMENTS

2,630,244	A *	3/1953	Brock	220/710.5
4,817,801	A *	4/1989	Schwaikert	206/519
4,974,742	A *	12/1990	Farrell et al.	220/710.5
D327,093	S *	6/1992	Evenson	D19/85
D652,257	S *	1/2012	Kraemer	D7/523
D657,247	S *	4/2012	Nemeth et al.	D9/502
D660,084	S *	5/2012	Gilbert	D7/538

OTHER PUBLICATIONS

Kaboodle, Vintage Retro Colored Drinking Glasses, <http://www.kaboodle.com/reviews/vintage-retro-colored-drinking-glasses-red->

DESCRIPTION

FIG. 1 is a top front perspective view of a beverage cup embodying the new design;

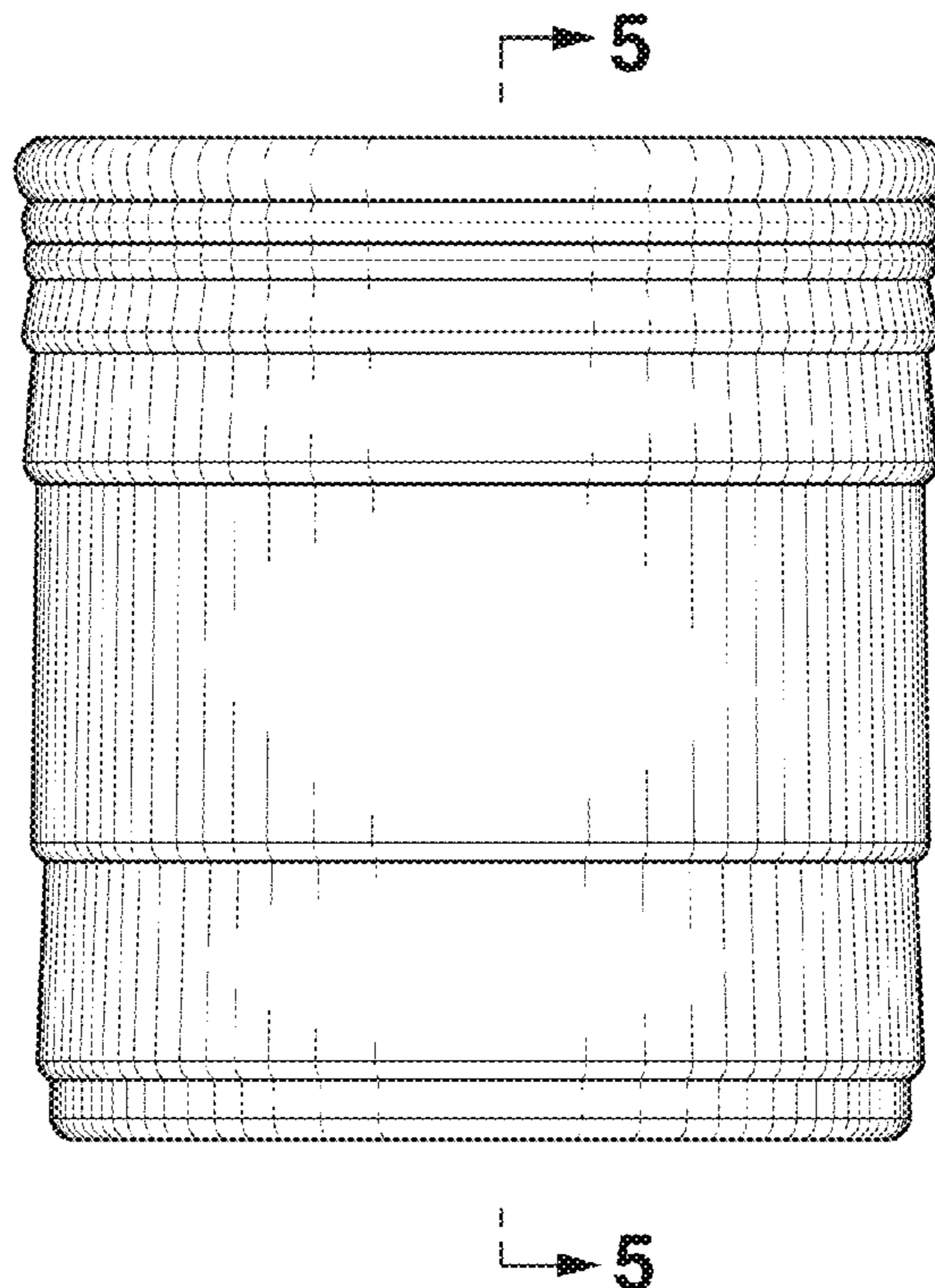
FIG. 2 is a bottom rear perspective view of the beverage cup of FIG. 1;

FIG. 3 is a side view of the beverage cup of FIG. 1;

FIG. 4 is a top view of the beverage cup of FIG. 1; and,

FIG. 5 is a sectional view of the beverage cup taken along cut line 5-5 of FIG. 3.

1 Claim, 3 Drawing Sheets



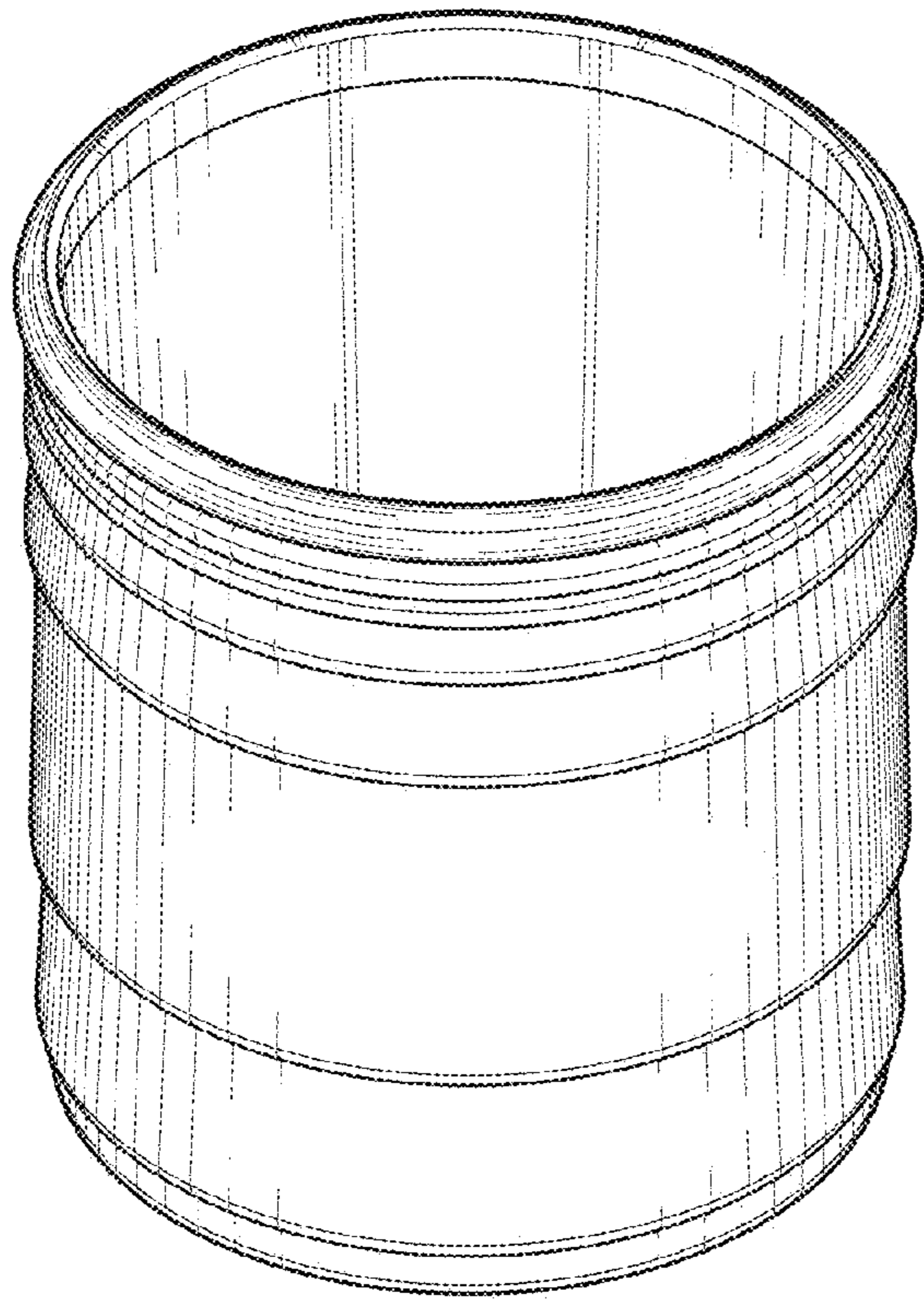


FIG. 1

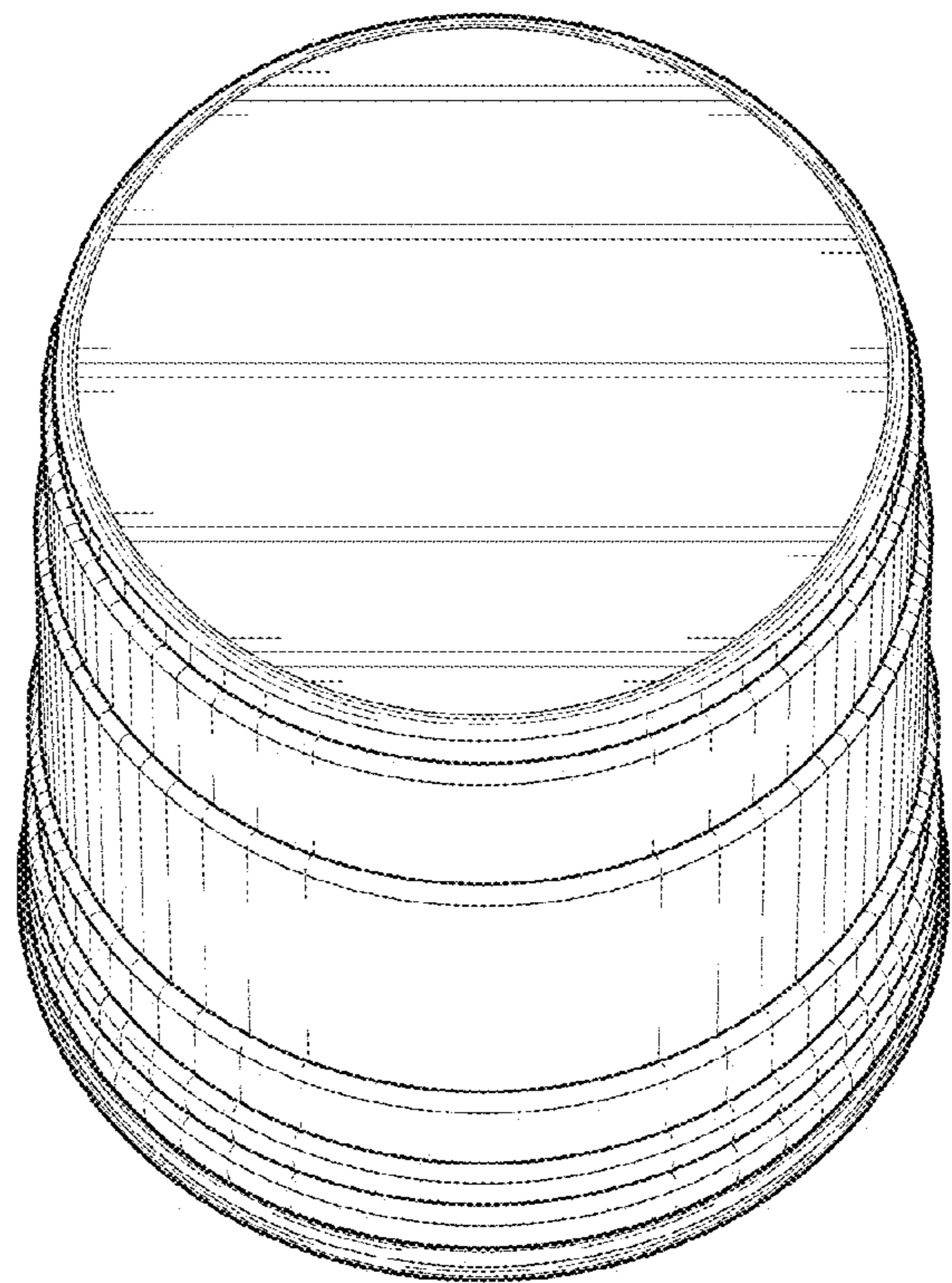


FIG. 2

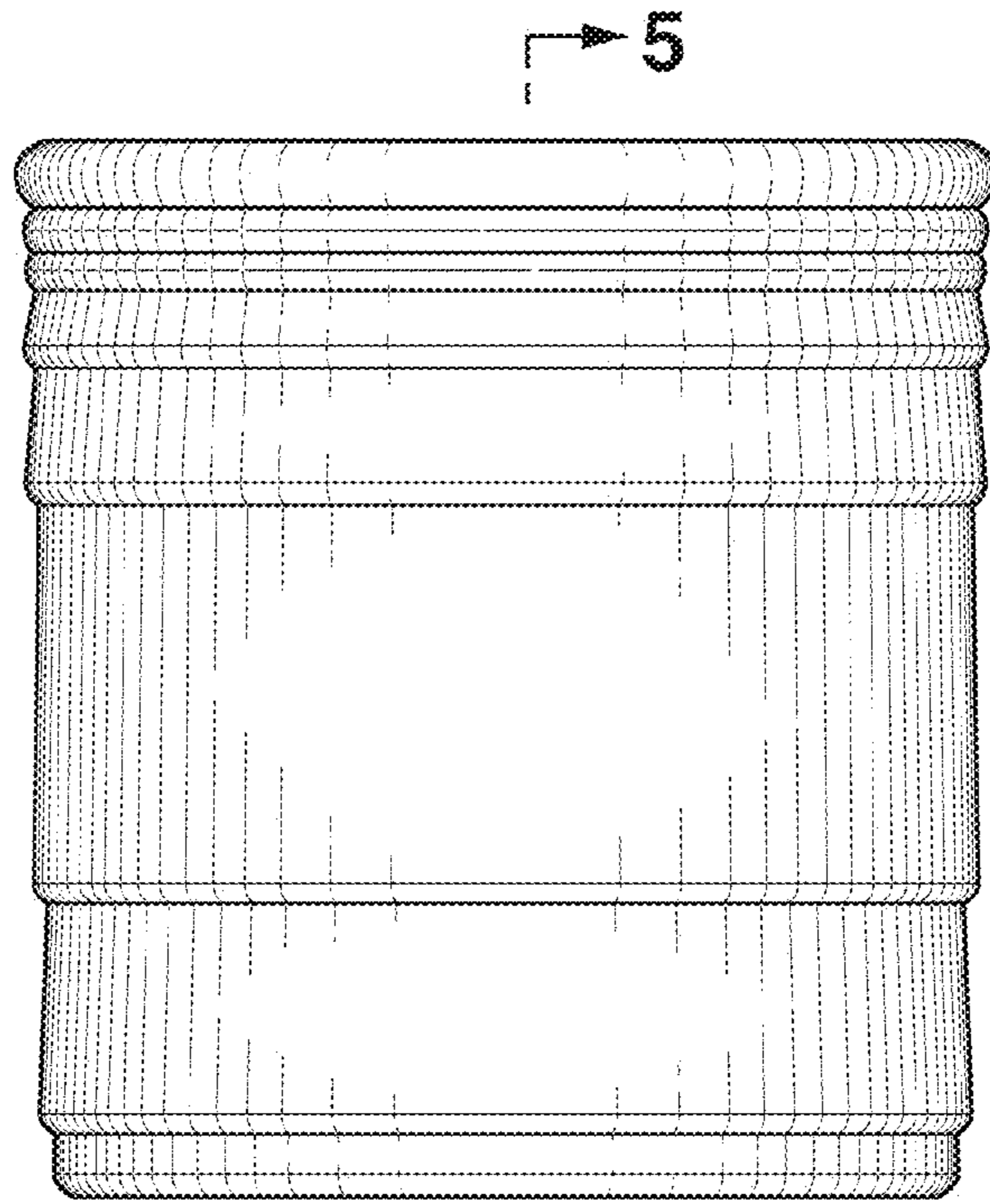


FIG. 3

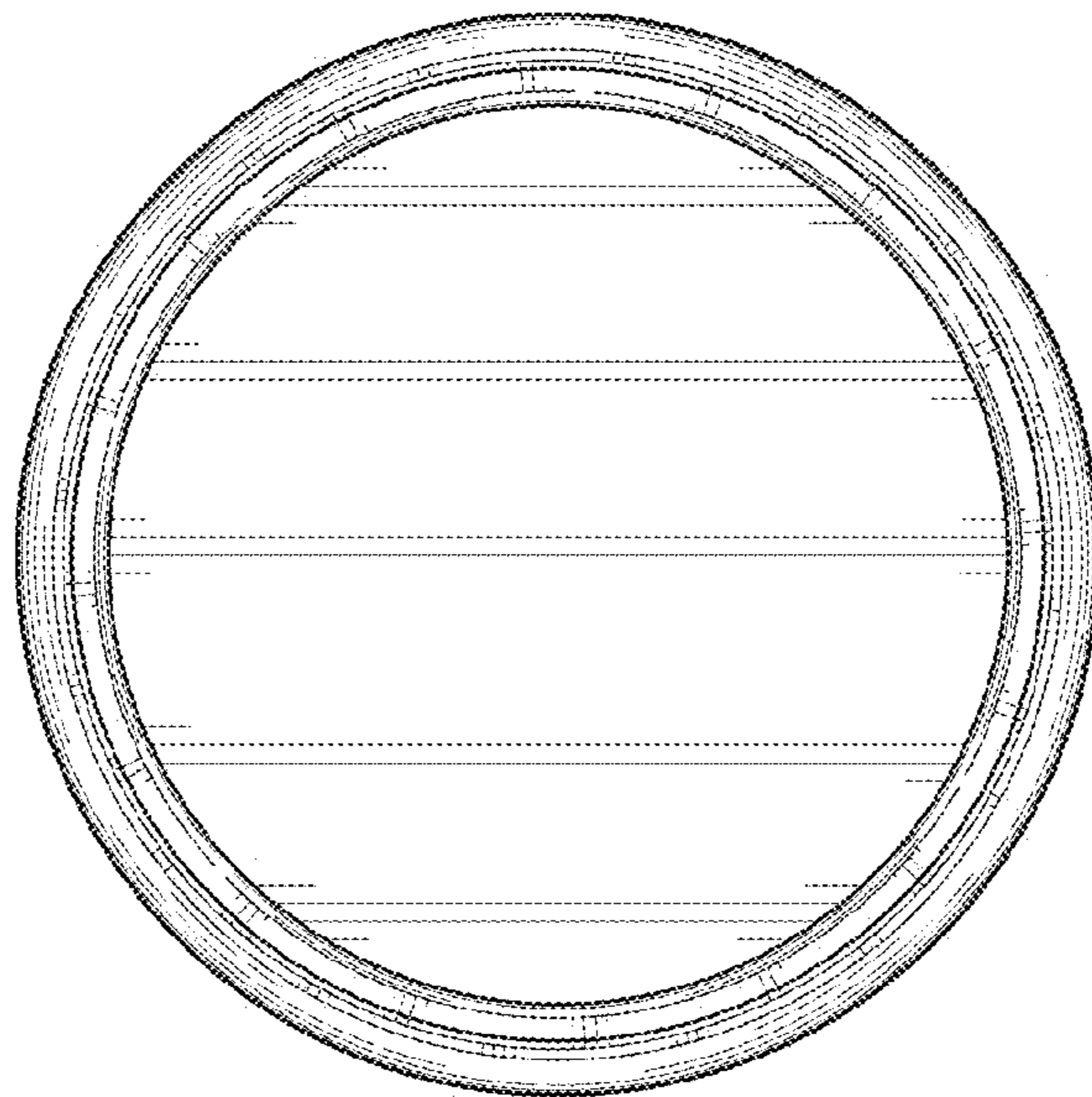


FIG. 4

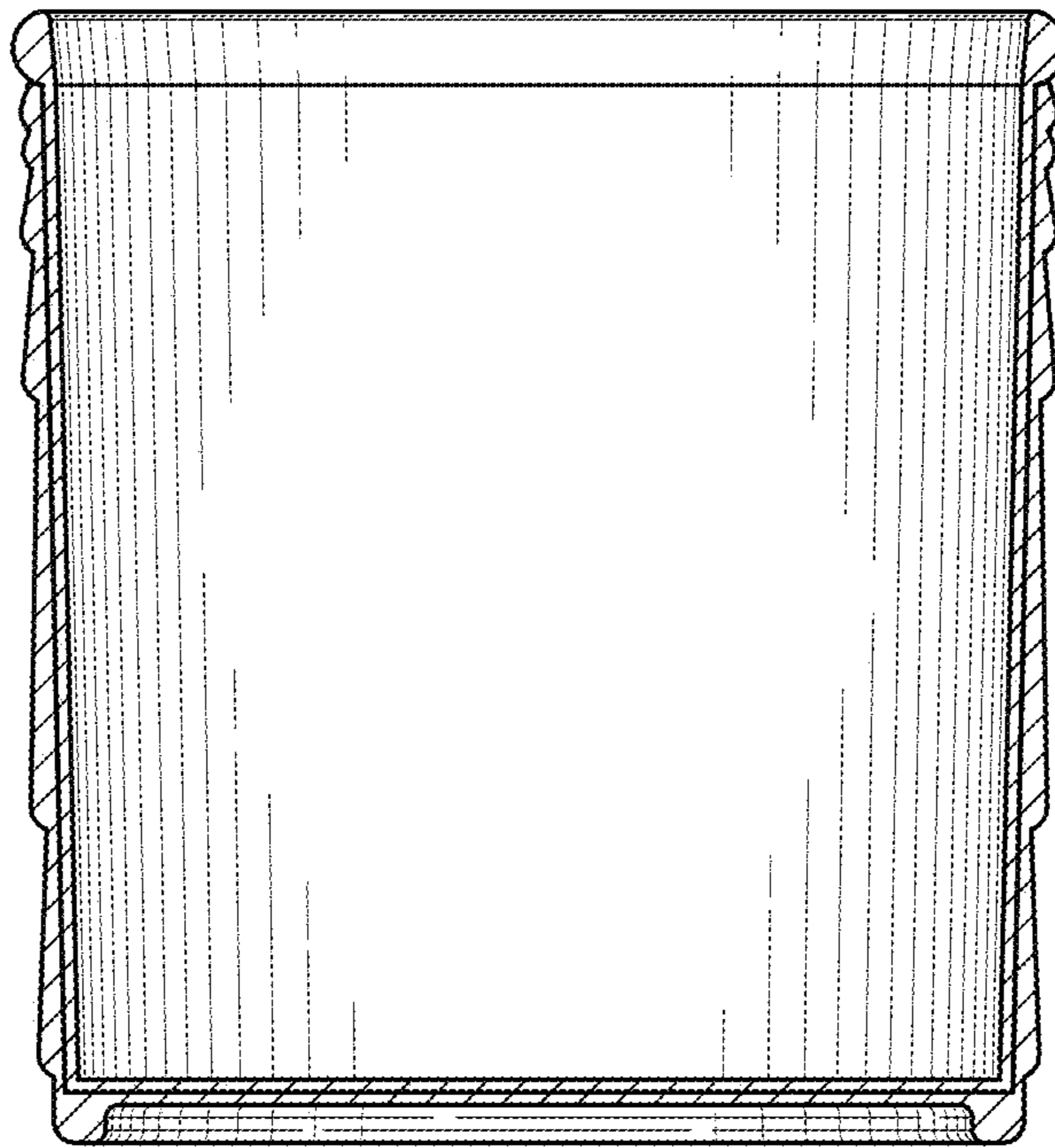


FIG. 5