



US00D679945S

(12) **United States Design Patent**
Romley

(10) **Patent No.:** **US D679,945 S**

(45) **Date of Patent:** **** Apr. 16, 2013**

(54) **BEVERAGE CUP**

(71) Applicant: **Michael Romley**, Phoenix, AZ (US)

(72) Inventor: **Michael Romley**, Phoenix, AZ (US)

(**) Term: **14 Years**

(21) Appl. No.: **29/436,437**

(22) Filed: **Nov. 6, 2012**

(51) **LOC (9) Cl.** **07-01**

(52) **U.S. Cl.**
USPC **D7/528; D7/524**

(58) **Field of Classification Search** D7/515,
D7/514, 532, 533, 510, 511, 619.1, 512, 509,
D7/523, 536, 524, 537, 528, 525; D9/429,
D9/502, 538, 524; 215/13.1, 12.1, 10, 377;
229/400; 206/519; 220/630; D24/197
See application file for complete search history.

(56) **References Cited**

U.S. PATENT DOCUMENTS

D65,992 S * 11/1924 Atterholt D7/528
D70,754 S * 8/1926 Heisey D7/528
D407,947 S * 4/1999 Barth D7/522

D449,962 S * 11/2001 Harrison et al. D7/528
D563,724 S * 3/2008 Bodum D7/524
D564,894 S * 3/2008 Buoy D9/600
D607,694 S * 1/2010 Wolhendler D7/537
D624,276 S * 9/2010 Green D1/106

* cited by examiner

Primary Examiner — Marianne Pandozzi

(74) *Attorney, Agent, or Firm* — Venable, Campillo, Logan & Meaney, P.C.

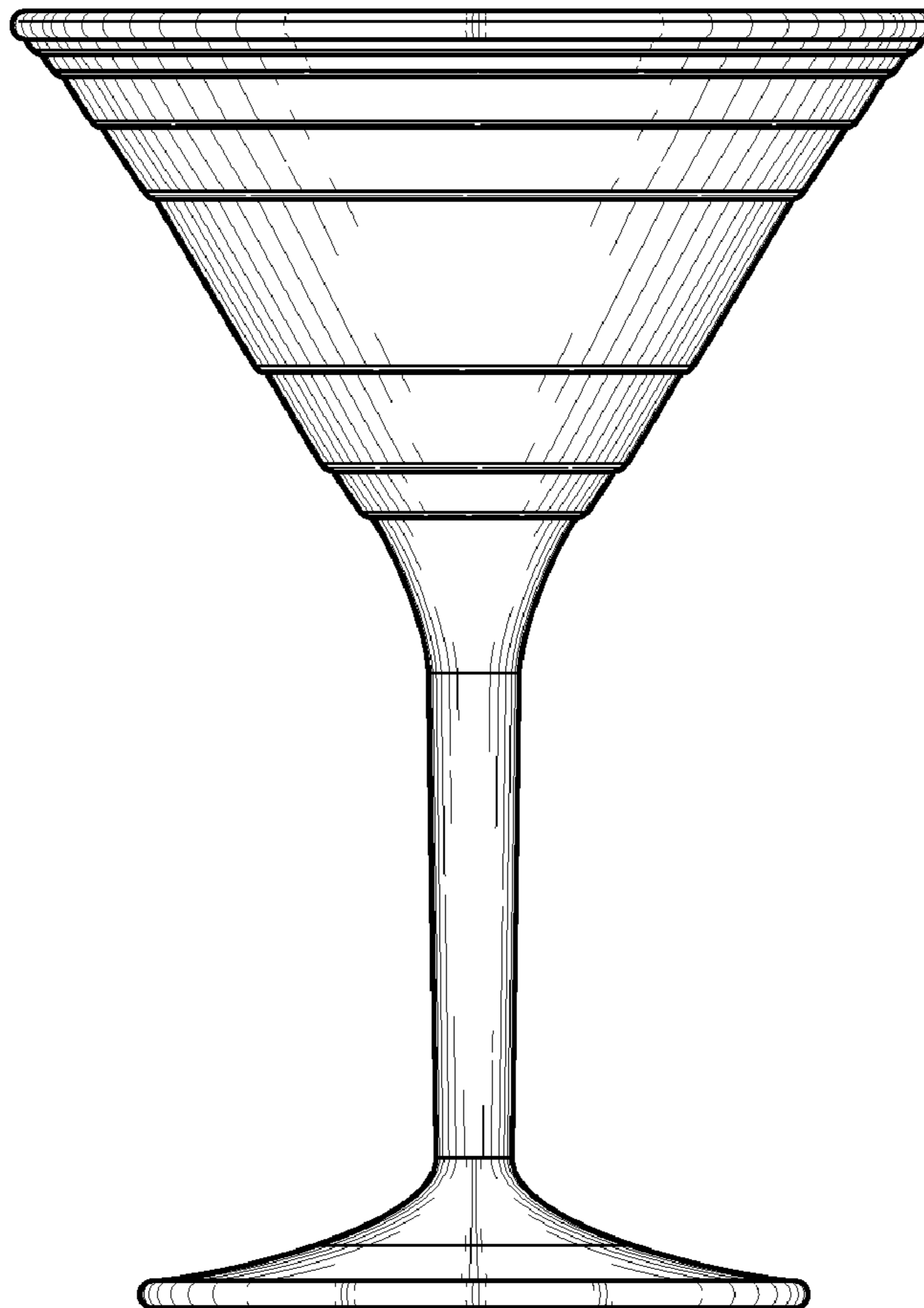
(57) **CLAIM**

The ornamental design for a beverage cup, as shown and described.

DESCRIPTION

FIG. 1 is a top front perspective view of a beverage cup embodying the new design;
FIG. 2 is a side view of the beverage cup of FIG. 1;
FIG. 3 is a top view of the beverage cup of FIG. 1;
FIG. 4 is a bottom view of the beverage cup of FIG. 1; and,
FIG. 5 is a sectional view of the beverage cup taken along line 5-5 of FIG. 3.

1 Claim, 3 Drawing Sheets



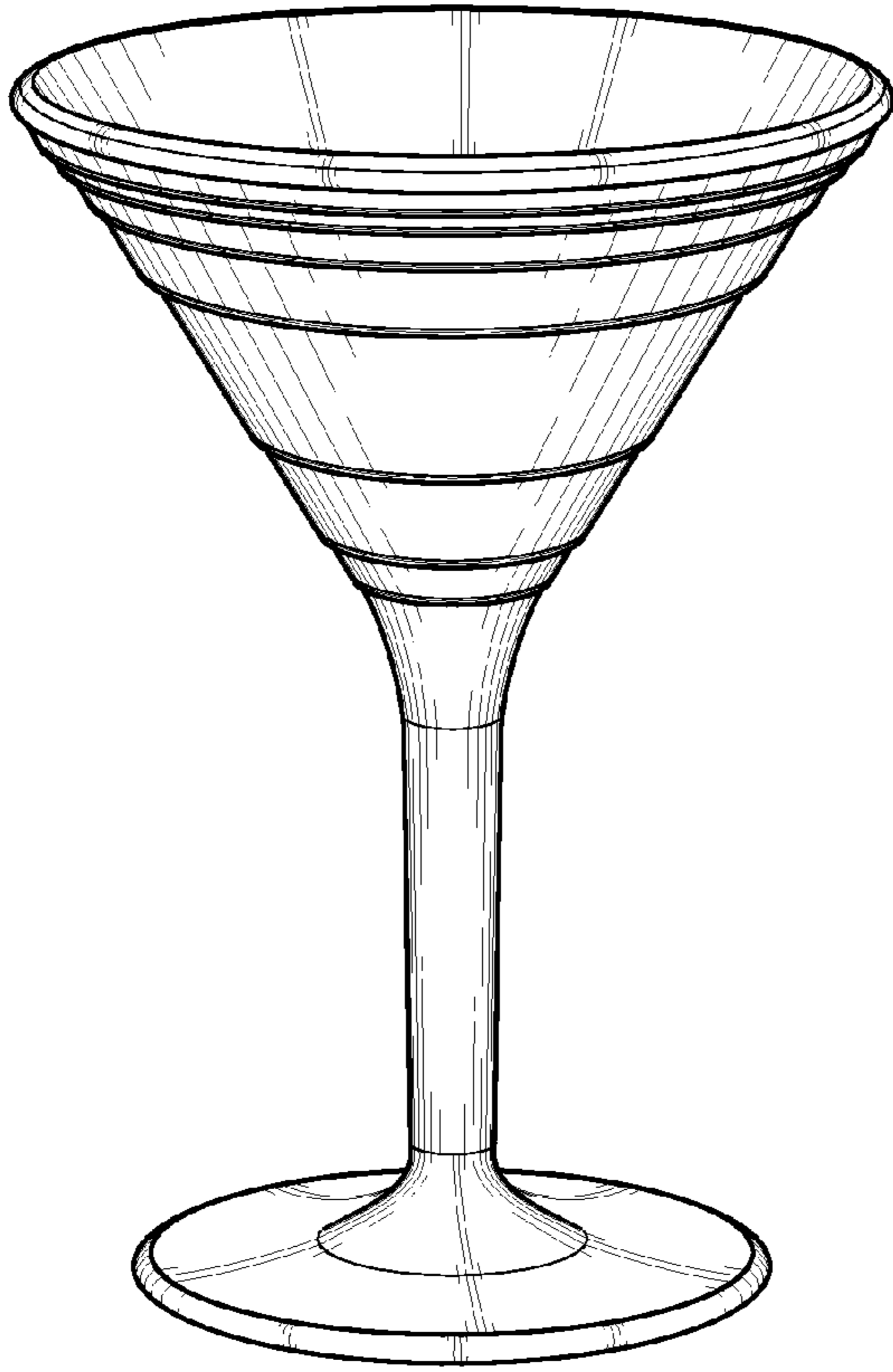


FIG. 1

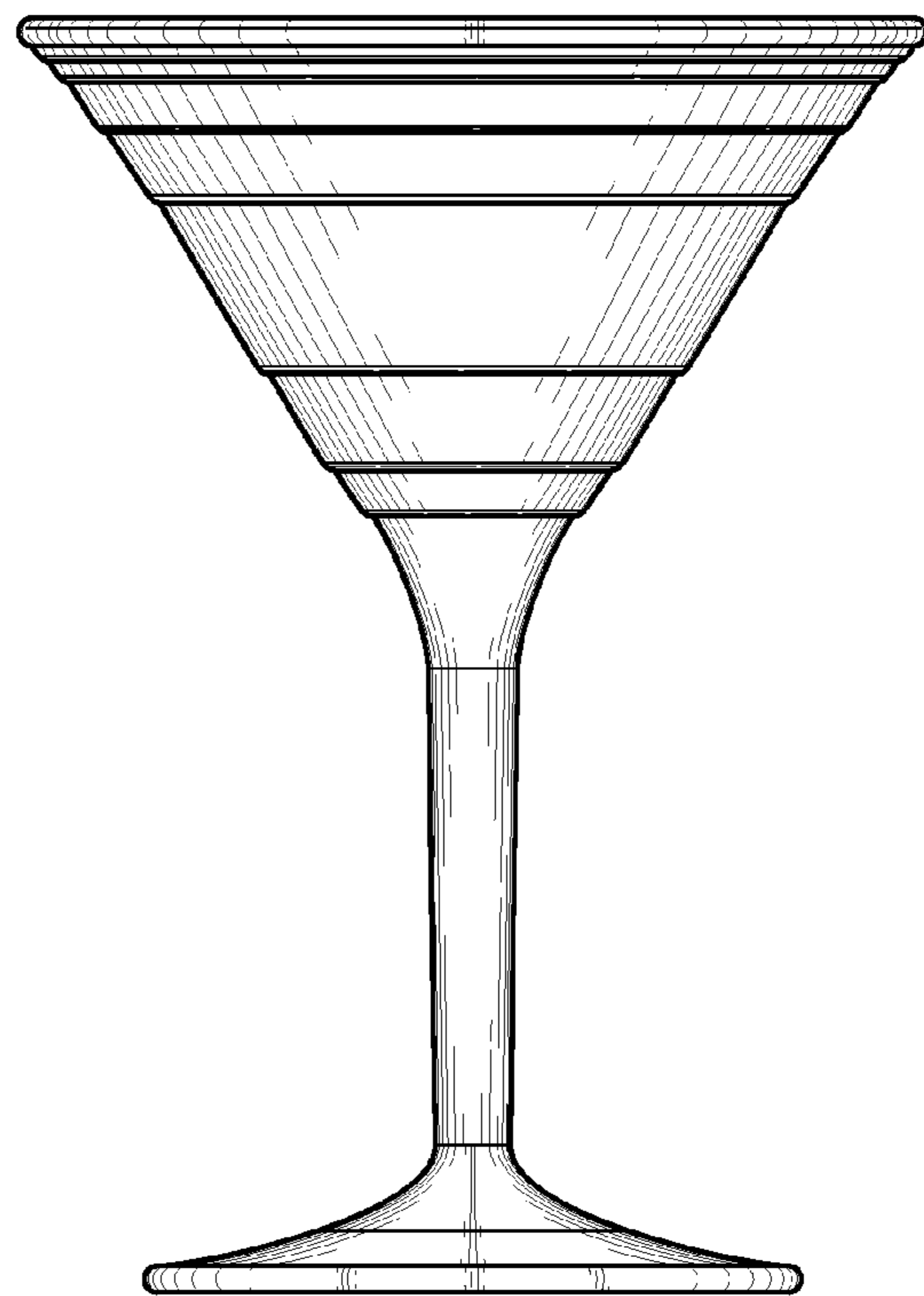


FIG. 2

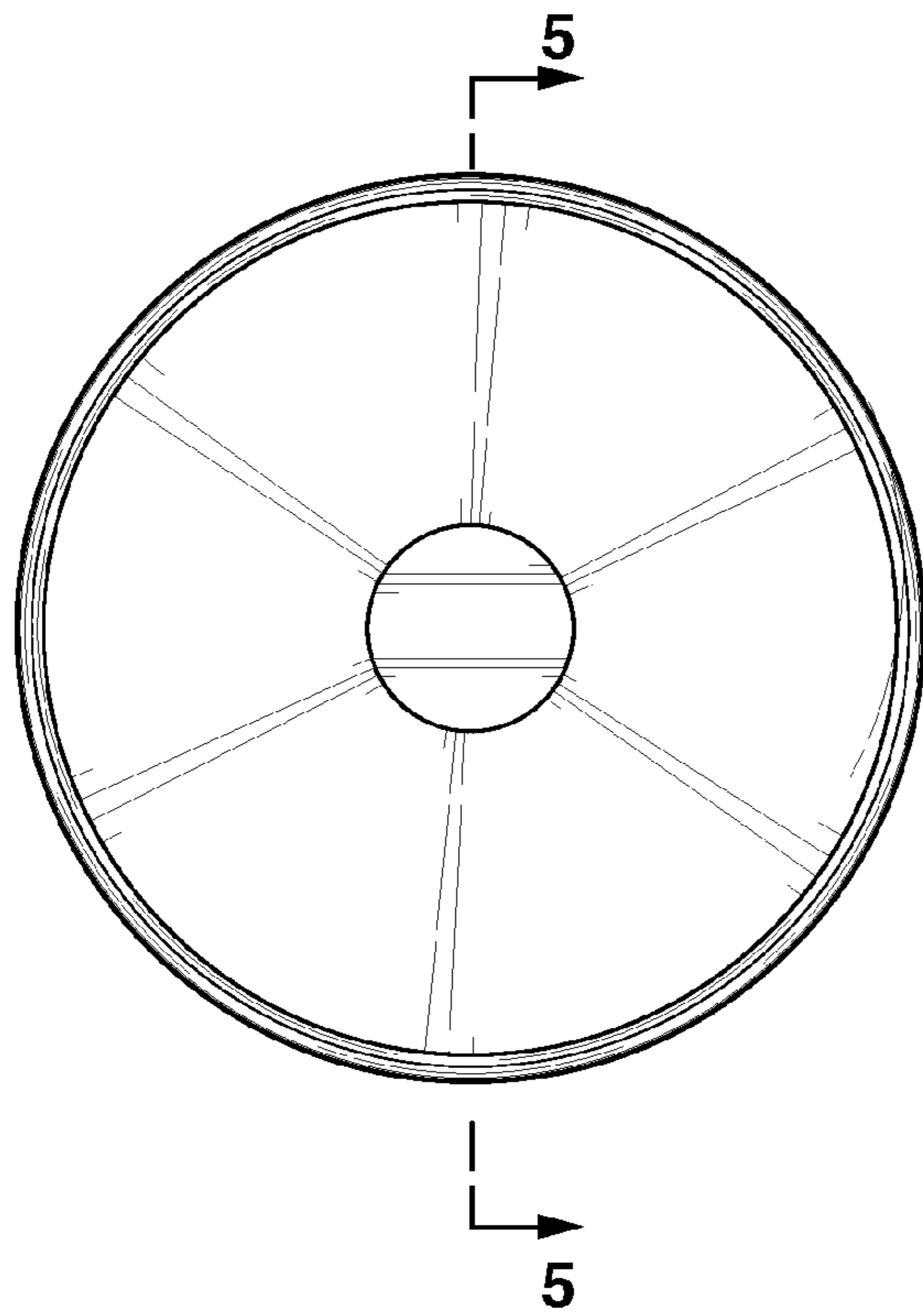


FIG. 3

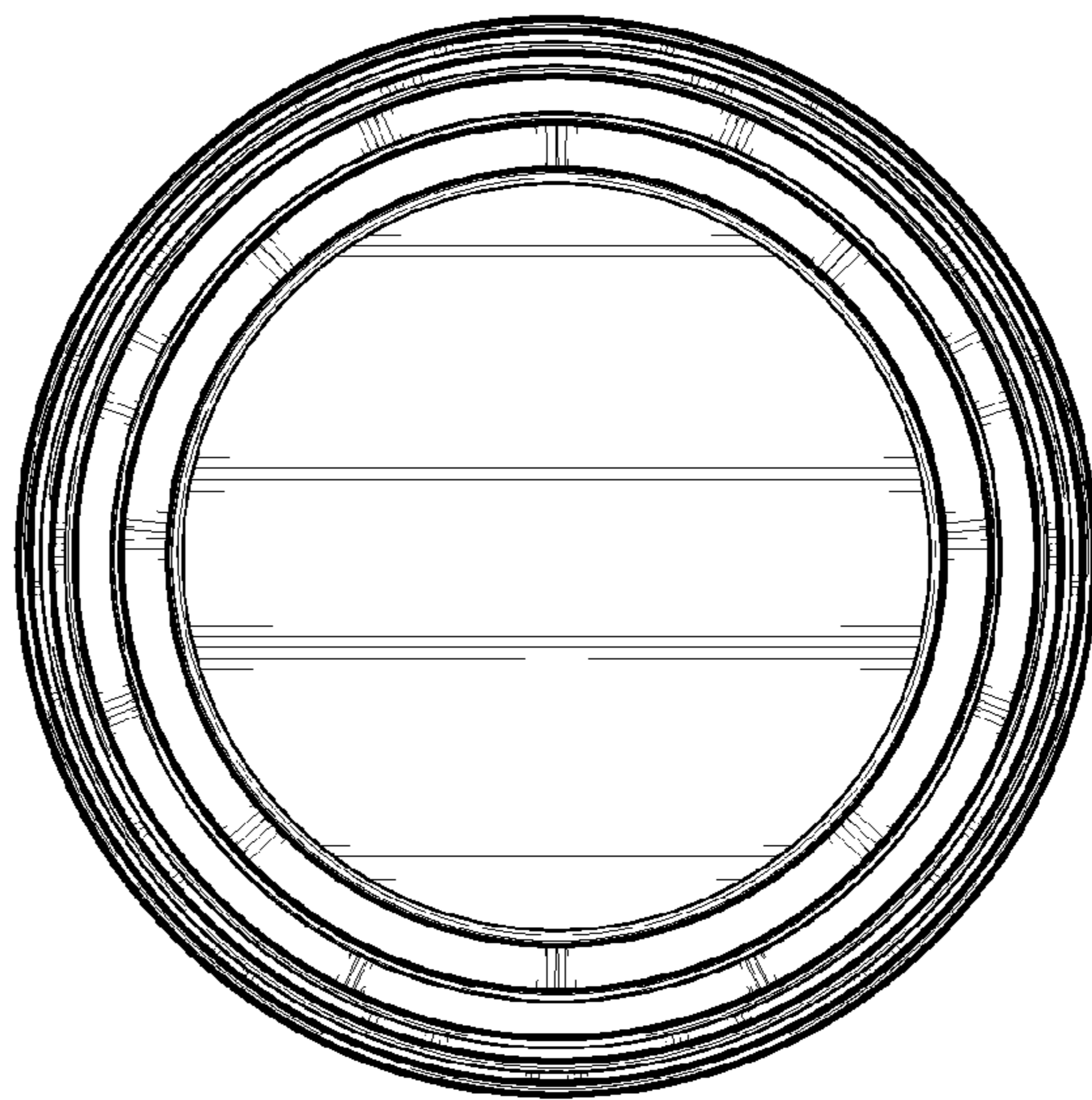


FIG. 4

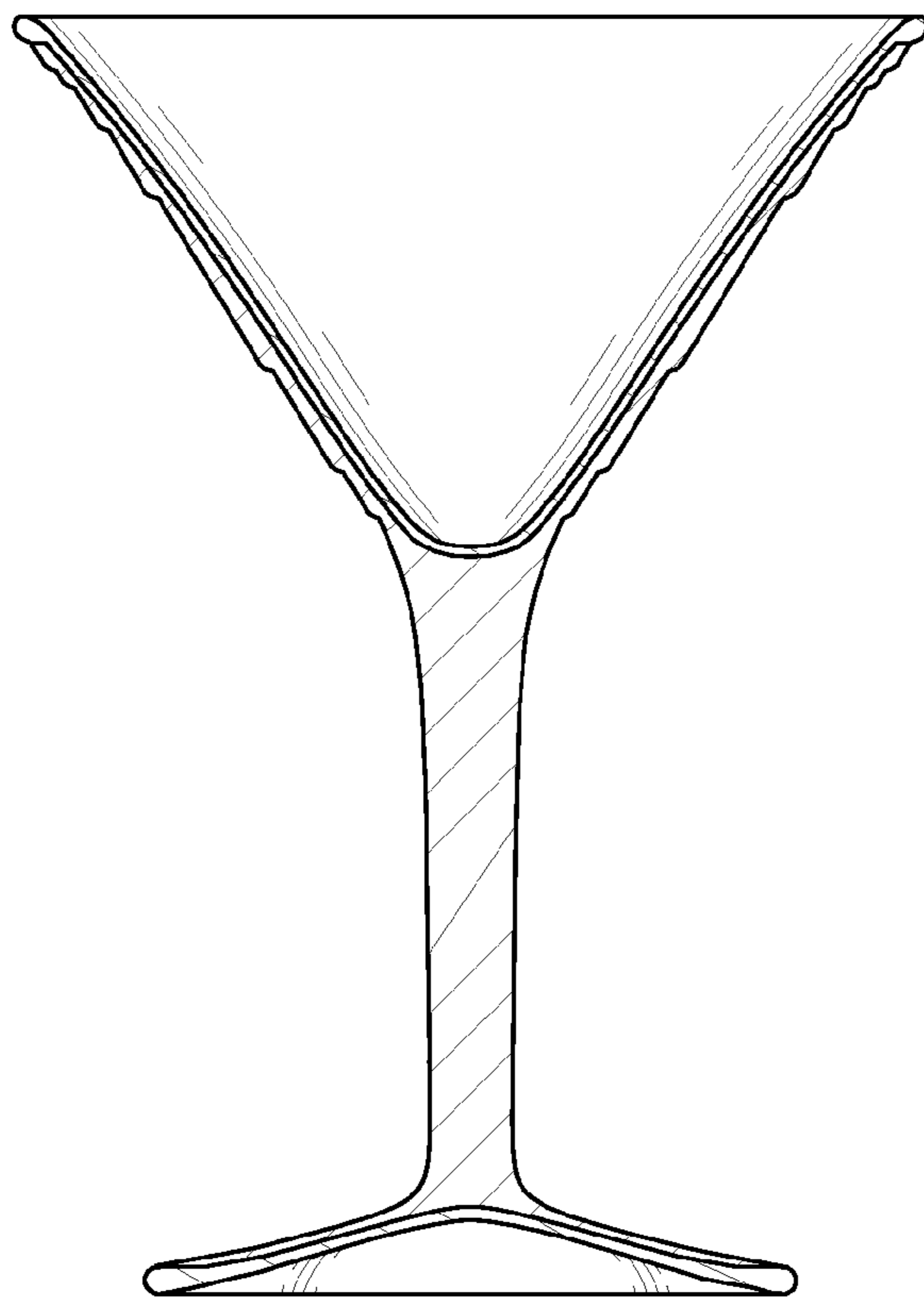


FIG. 5