



US00D679944S

(12) **United States Design Patent**
Meyer

(10) **Patent No.:** **US D679,944 S**

(45) **Date of Patent:** **** Apr. 16, 2013**

(54) **SANDWICH PRESS**

(76) Inventor: **Carole Meyer**, Phoenix, AZ (US)

(**) Term: **14 Years**

(21) Appl. No.: **29/428,532**

(22) Filed: **Jul. 31, 2012**

(51) **LOC (9) Cl.** **07-02**

(52) **U.S. Cl.**
USPC **D7/409; D7/352; D7/357; D7/362**

(58) **Field of Classification Search** D7/323,
D7/329-331, 337, 339, 346-347, 350.1-350.4,
D7/352-367, 391, 393, 395, 402, 409, 538,
D7/542, 674; 99/324-325, 331-332, 337-349,
99/358, 369-376, 380, 389, 400-418, 422,
99/425, 444-446, 483; 126/37 R, 261, 378.1;
206/501-505, 507-508; 219/386, 400, 405,
219/429-442, 450.1, 452.13, 620-624, 725,
219/730-735; 220/23.8, 315, 573.1-573.5,
220/912; 249/119; 426/438, 441

See application file for complete search history.

(56) **References Cited**

U.S. PATENT DOCUMENTS

323,887	A *	8/1885	Rutter	249/119
608,144	A *	7/1898	Porter	220/23.8
1,587,788	A *	6/1926	Morley	99/376
1,663,719	A *	3/1928	Morley	426/549
3,696,734	A *	10/1972	Beasley et al.	99/331
3,719,507	A *	3/1973	Bardeau	99/375
3,948,159	A *	4/1976	Vigerstrom	99/358
D262,425	S *	12/1981	Thelander	D7/357
D262,430	S *	12/1981	Thelander	D7/357
D275,925	S *	10/1984	Bowen et al.	D7/357
5,253,565	A *	10/1993	Burton	99/374
5,596,922	A *	1/1997	Chan	99/380
5,613,426	A *	3/1997	Chan Gabbai	99/375
D549,515	S *	8/2007	Curtin et al.	D7/352

7,285,751	B2 *	10/2007	Li	219/386
D642,420	S *	8/2011	Lavy et al.	D7/352
D643,243	S *	8/2011	Harrod	D7/352
D643,673	S *	8/2011	Lavy et al.	D7/352
D643,676	S *	8/2011	Lavy et al.	D7/364
D643,677	S *	8/2011	Lavy et al.	D7/364
D657,608	S *	4/2012	Lavy et al.	D7/352
D657,609	S *	4/2012	Lavy et al.	D7/352
D663,590	S *	7/2012	Muspratt-Williams	D7/674
D668,907	S *	10/2012	Lavy et al.	D7/352
D669,299	S *	10/2012	Lavy et al.	D7/352
D669,300	S *	10/2012	Lavy et al.	D7/352

* cited by examiner

Primary Examiner — Ricky Pham

(74) *Attorney, Agent, or Firm* — Rodney J. Fuller; Booth Udall Fuller, PLC

(57) **CLAIM**

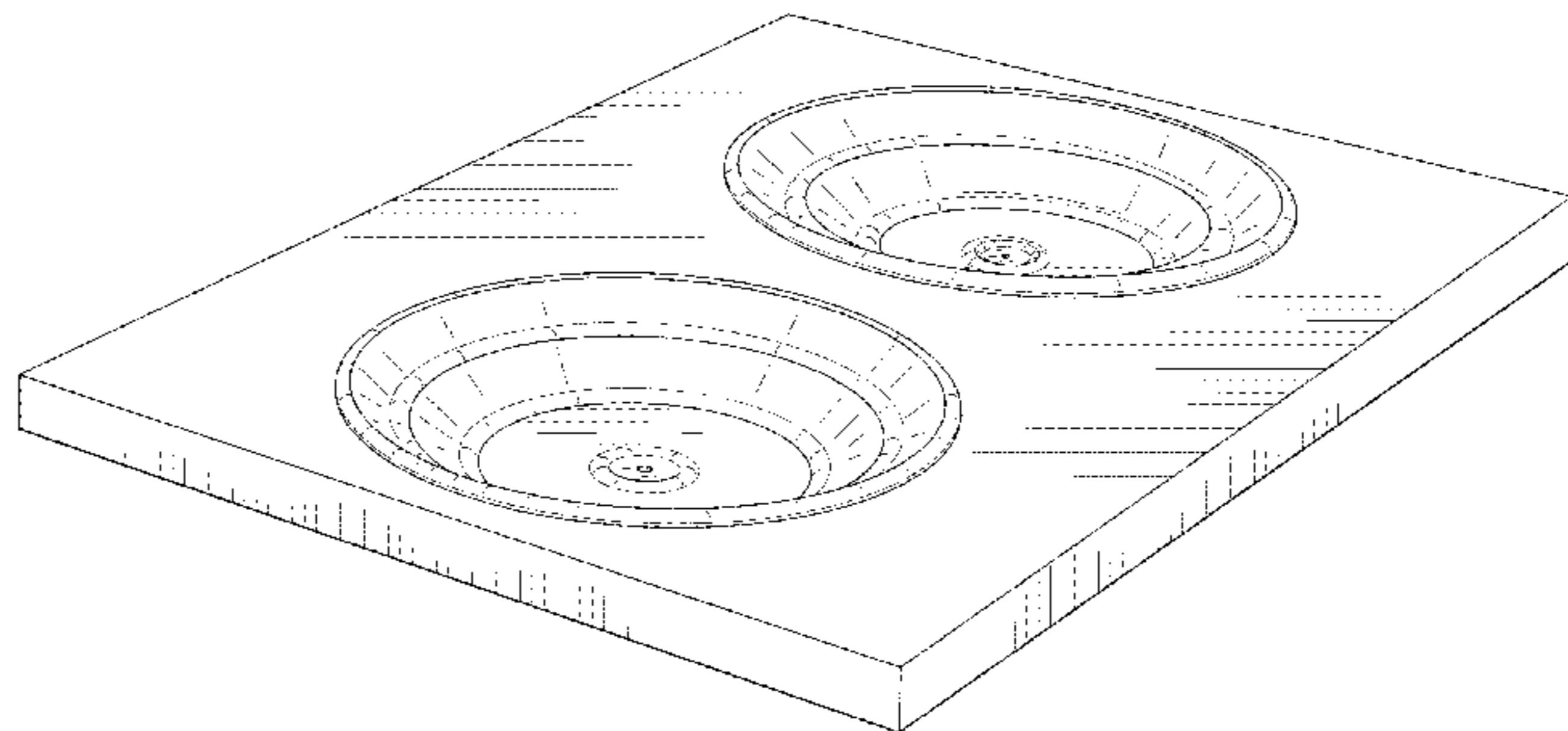
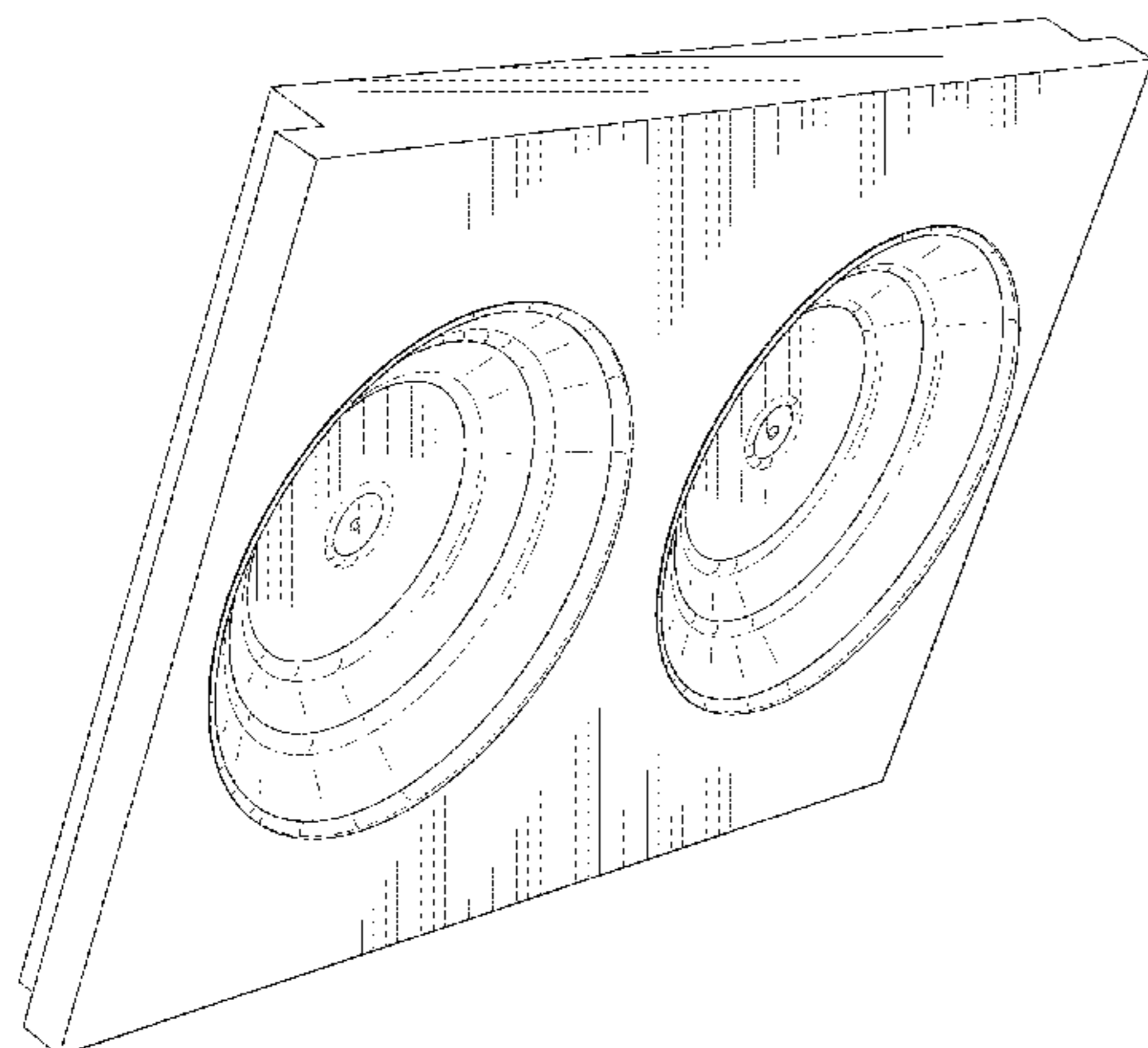
The ornamental design for a sandwich press, as shown and described.

DESCRIPTION

FIG. 1 is a top, front, and left side perspective view of an upper plate of a sandwich press showing my new design; FIG. 2 is a front view thereof; FIG. 3 is a top view thereof, the bottom view being identical; FIG. 4 is a right side view thereof, the left side view being identical; and FIG. 5 is a rear view thereof.

FIG. 6 is a top, front, and left side perspective view of a lower plate of a sandwich press showing my new design; FIG. 7 is a front view thereof; FIG. 8 is a top view thereof, the bottom view being identical; FIG. 9 is a right side view thereof, the left side view being identical; and, FIG. 10 is a rear view thereof.

1 Claim, 8 Drawing Sheets



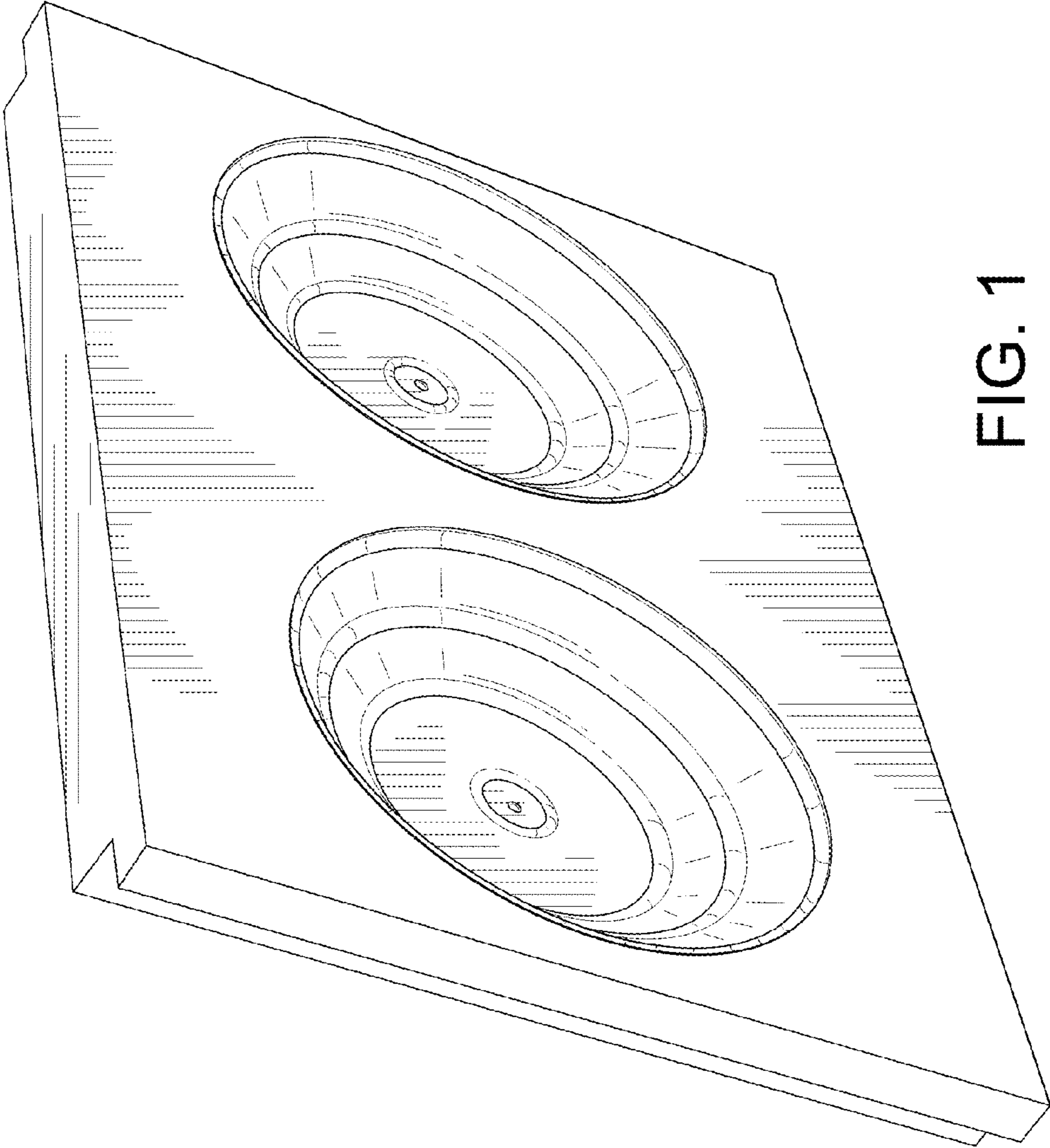


FIG. 1

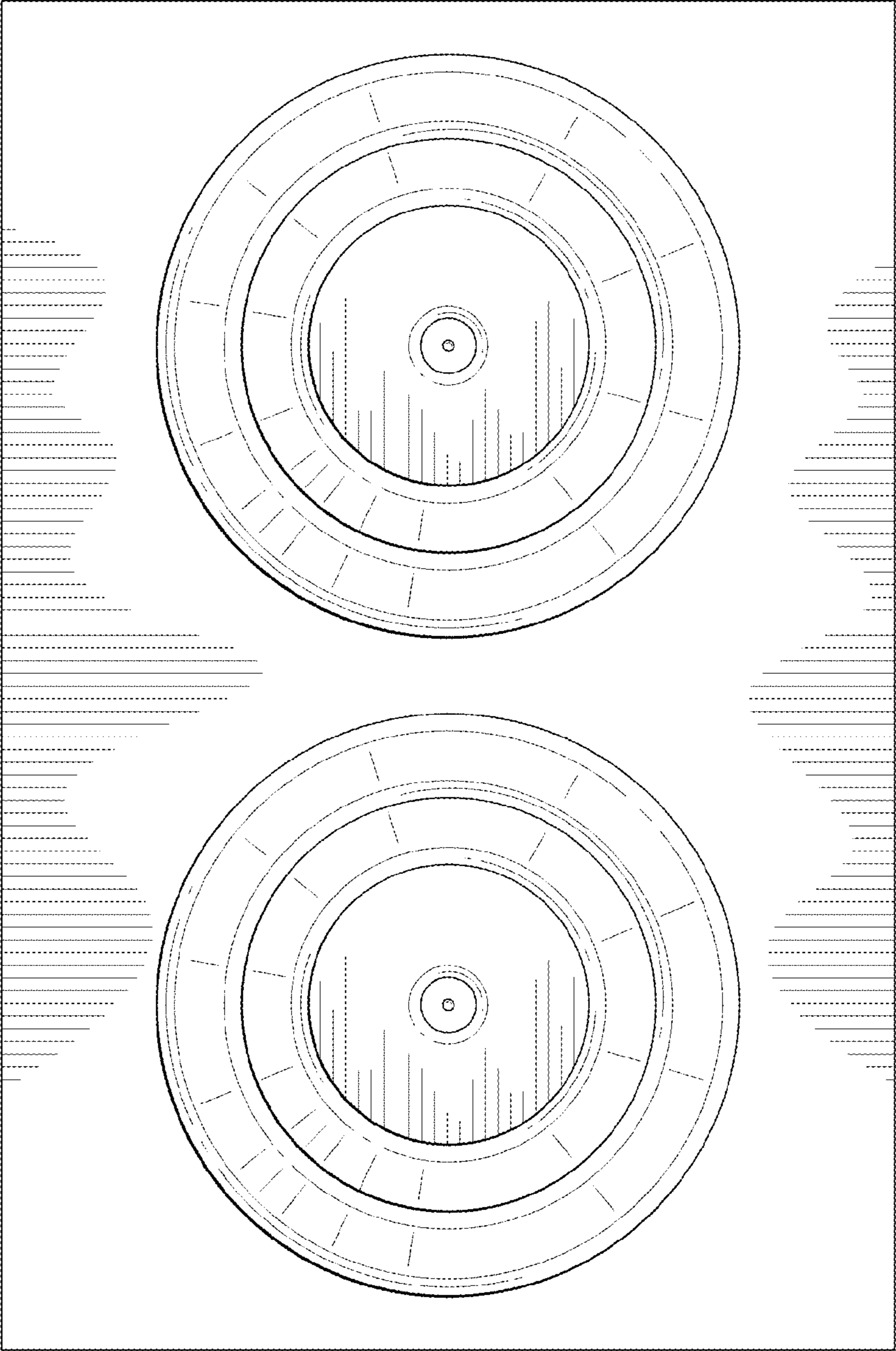


FIG. 2

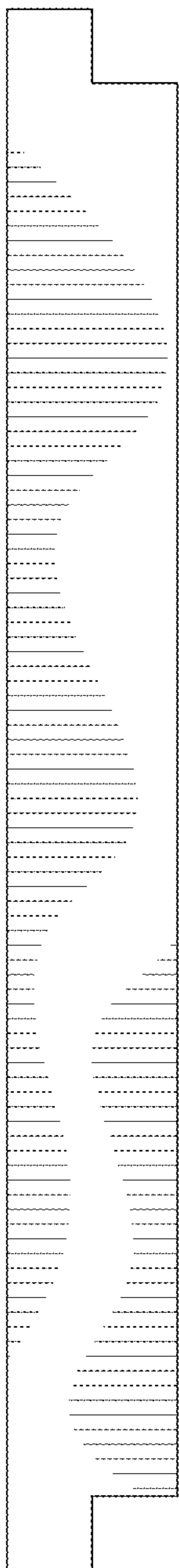


FIG. 3

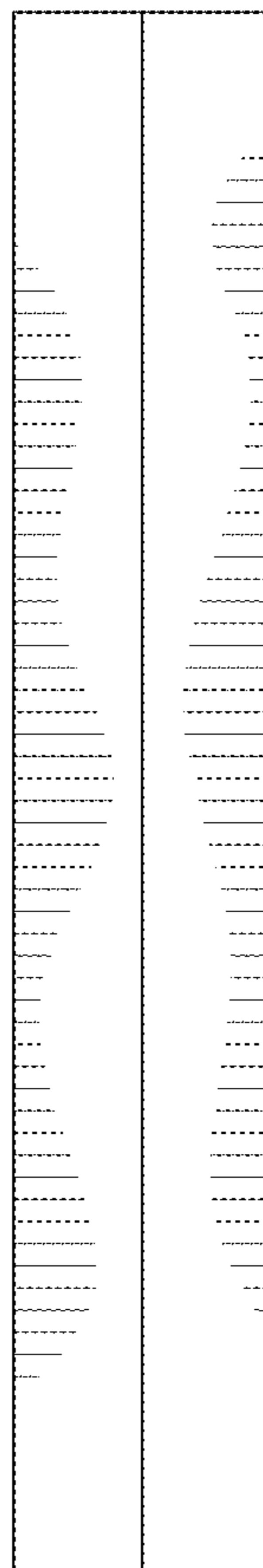


FIG. 4



FIG. 5

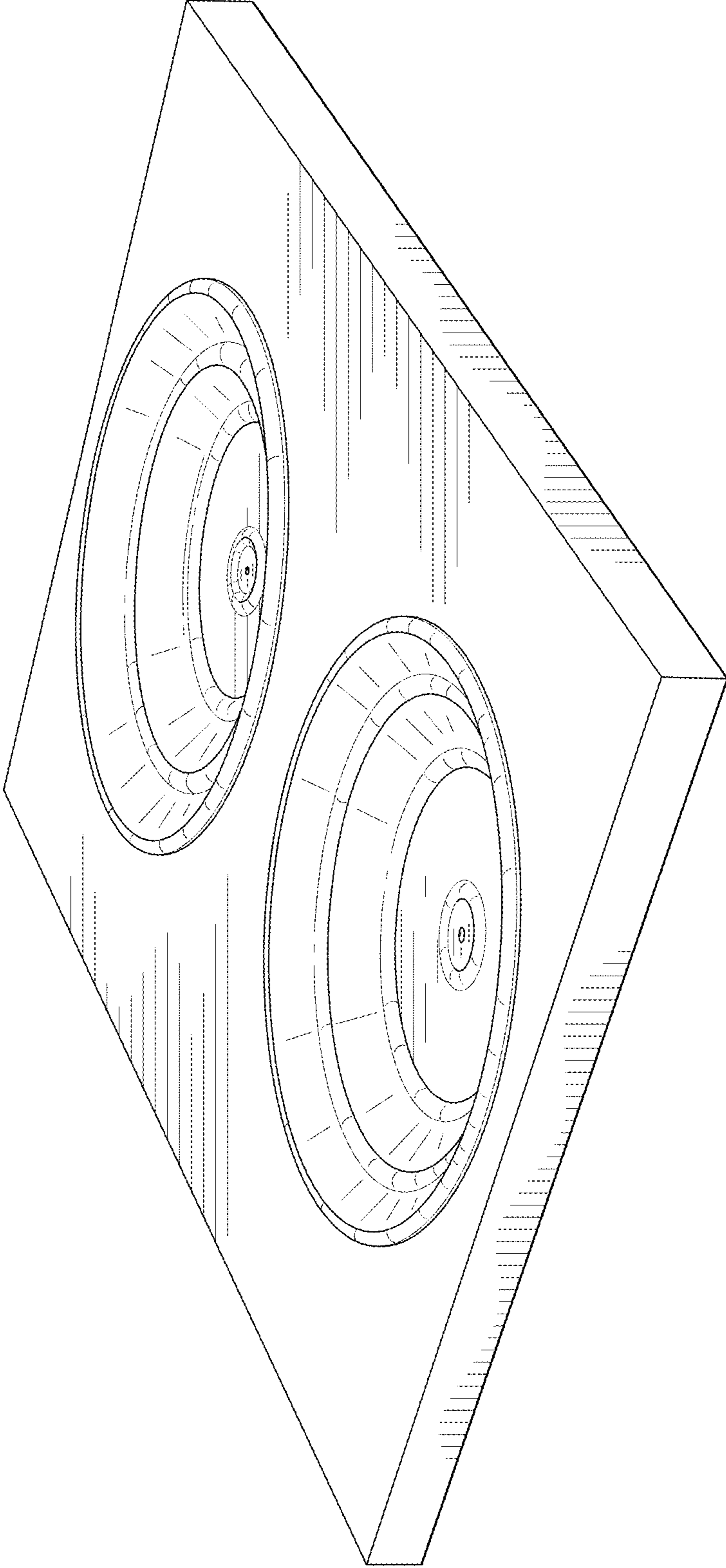


FIG. 6

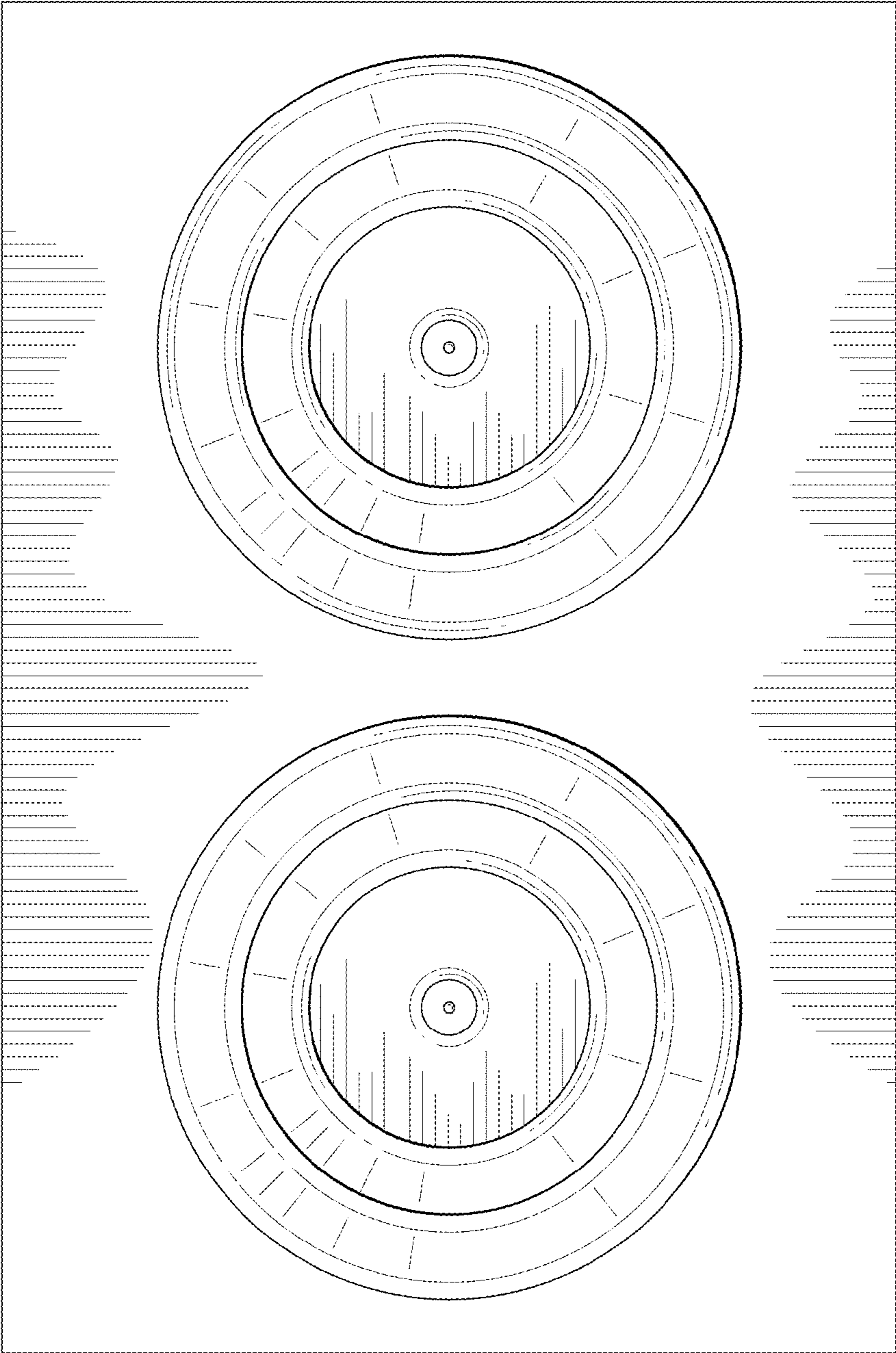


FIG. 7

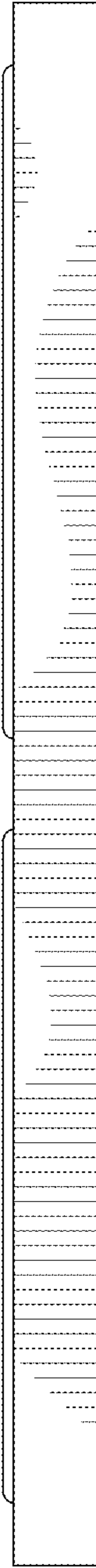


FIG. 8



FIG. 9



FIG. 10