



US00D679943S

(12) **United States Design Patent**
Zhou

(10) **Patent No.:** **US D679,943 S**

(45) **Date of Patent:** **** Apr. 16, 2013**

(54) **OUTDOOR STOVE BASE PLATE**

(76) Inventor: **Dongsheng Zhou**, Cupertino, CA (US)

(**) Term: **14 Years**

(21) Appl. No.: **29/416,638**

(22) Filed: **Mar. 24, 2012**

(51) **LOC (9) Cl.** **07-03**

(52) **U.S. Cl.**
USPC **D7/402**

(58) **Field of Classification Search** D7/332,
D7/334, 337, 402-404, 408-409, 362-363,
D7/365, 367, 354-355, 359; 126/27, 44,
126/25 R, 41 R, 9 R, 40, 50, 38, 39 H, 39 N,
126/39 K, 39 M, 39 R; 99/425, 444-44,
99/450, 482; 431/247, 207, 264
See application file for complete search history.

(56) **References Cited**

U.S. PATENT DOCUMENTS

108,152	A *	10/1870	Jones	126/37 R
144,518	A *	11/1873	Dunkelberger	99/449
177,027	A *	5/1876	Stansbury	126/160
246,561	A *	8/1881	Sassinot et al.	126/25 R
564,320	A *	7/1896	Underwood et al.	126/25 R
700,228	A *	5/1902	O'Brien	126/25 R
2,528,312	A *	10/1950	Jorgensen	126/40
3,191,591	A *	6/1965	Bennett	126/25 R
3,331,365	A *	7/1967	Sussan	126/25 R
4,037,580	A *	7/1977	Angelo	126/25 R

4,624,239	A *	11/1986	Yellin	126/25 R
4,763,639	A *	8/1988	Goldsworthy	126/25 R
5,413,087	A *	5/1995	Jean	126/41 R
D378,973	S *	4/1997	Bradley et al.	D7/406
6,105,487	A *	8/2000	Nash et al.	99/400
6,182,559	B1 *	2/2001	Chiang	99/340
D592,445	S *	5/2009	Sorenson et al.	D7/359
7,640,848	B1 *	1/2010	Bourgeois	99/340
7,802,565	B2 *	9/2010	Bruno	126/25 R
2007/0199555	A1 *	8/2007	Gregory	126/9 R
2009/0020109	A1 *	1/2009	Rheault	126/25 R
2009/0095168	A1 *	4/2009	Shu	99/425
2010/0043650	A1 *	2/2010	Yates et al.	99/446
2010/0307347	A1 *	12/2010	Menashes	99/340
2011/0061642	A1 *	3/2011	Rouchy et al.	126/39 E

* cited by examiner

Primary Examiner — Ruth McInroy

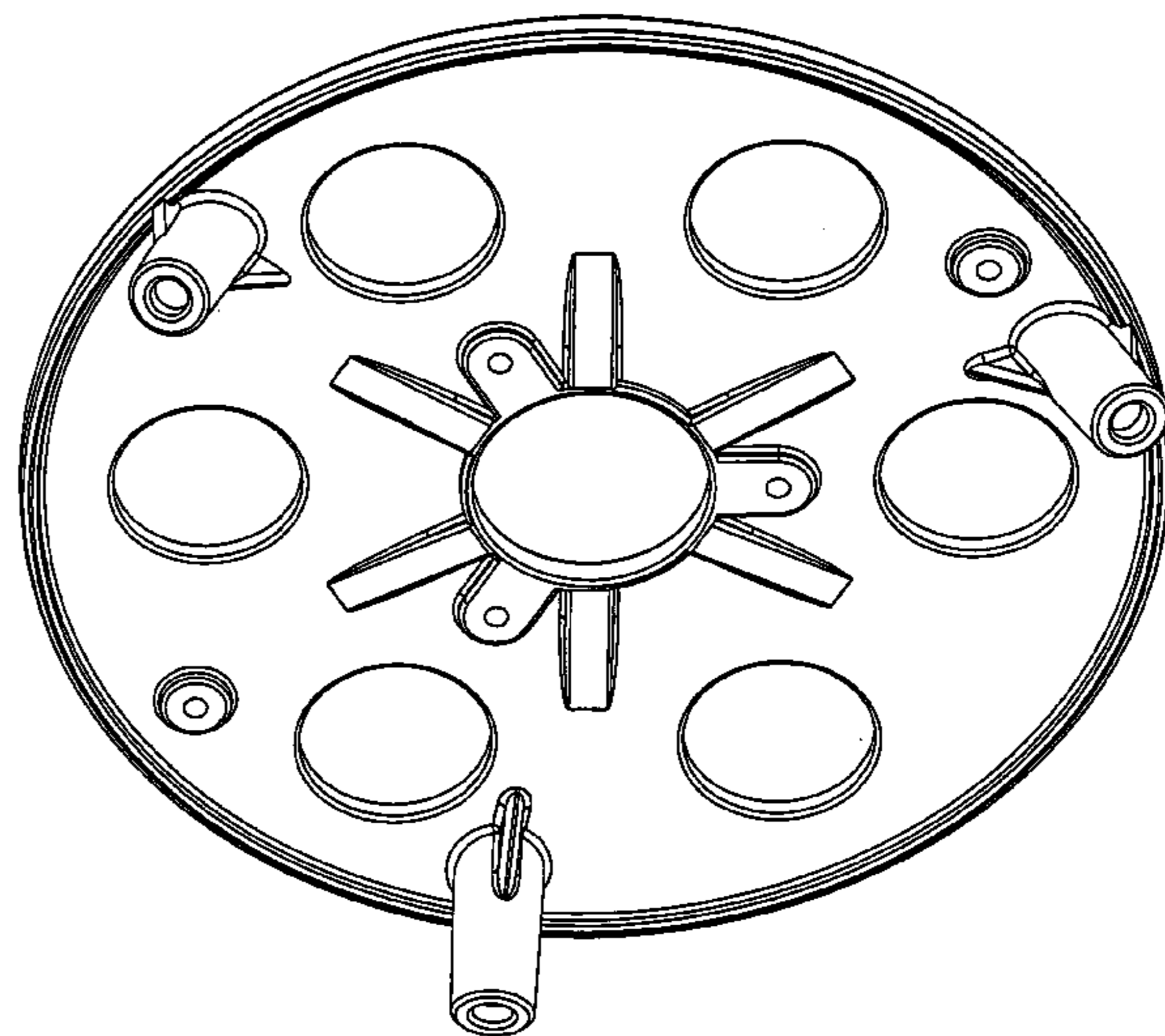
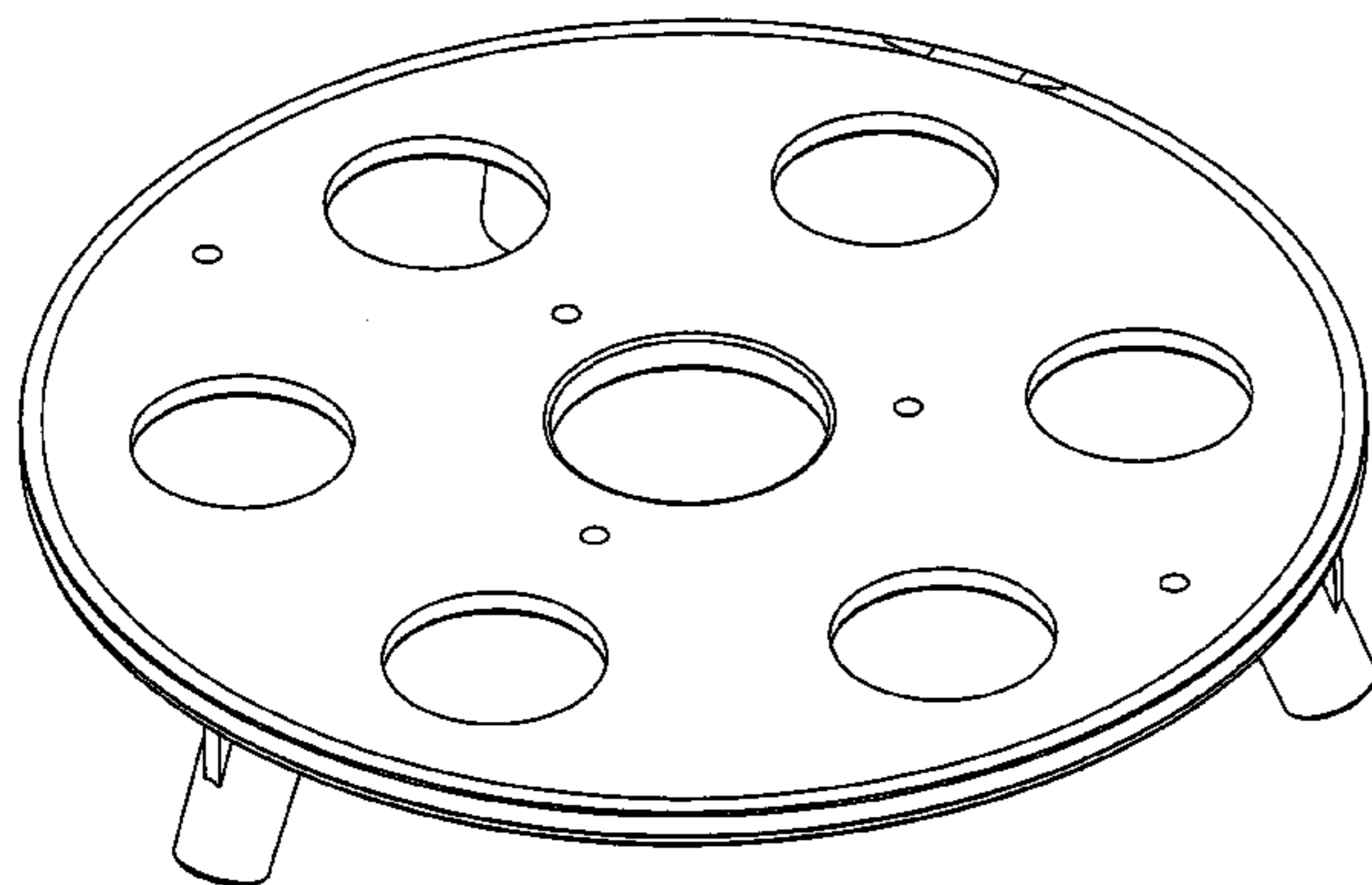
(57) **CLAIM**

The ornamental design for an outdoor stove base plate, as shown and described.

DESCRIPTION

FIG. 1 is a top perspective view of an outdoor stove base plate showing my new design;
FIG. 2 is a bottom perspective view thereof;
FIG. 3 is a top plan view thereof;
FIG. 4 is a side elevation view thereof;
FIG. 5 is a side elevation view of the opposite side of FIG. 4;
and,
FIG. 6 is a bottom plan view thereof.

1 Claim, 5 Drawing Sheets



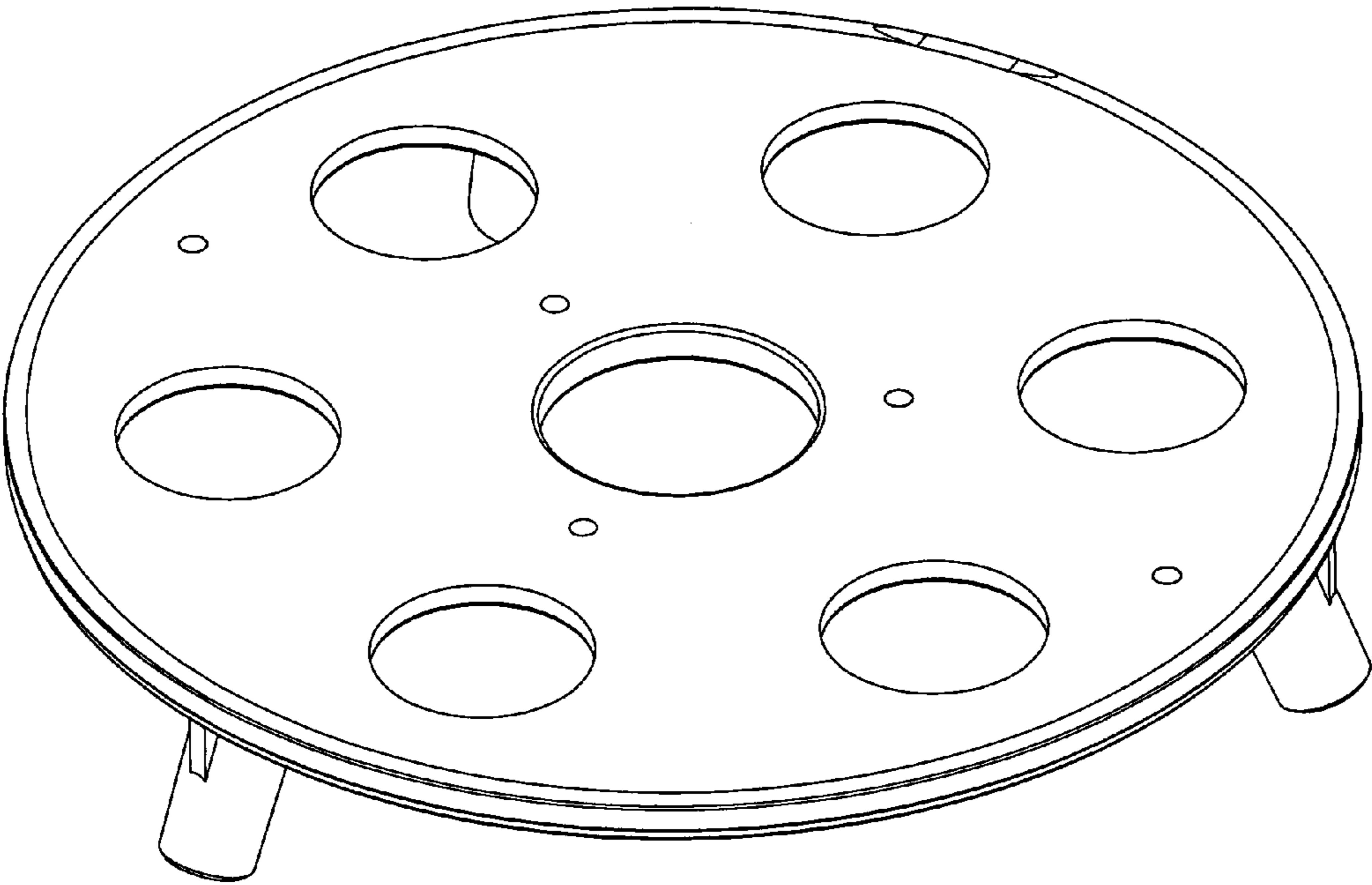


Fig. 1

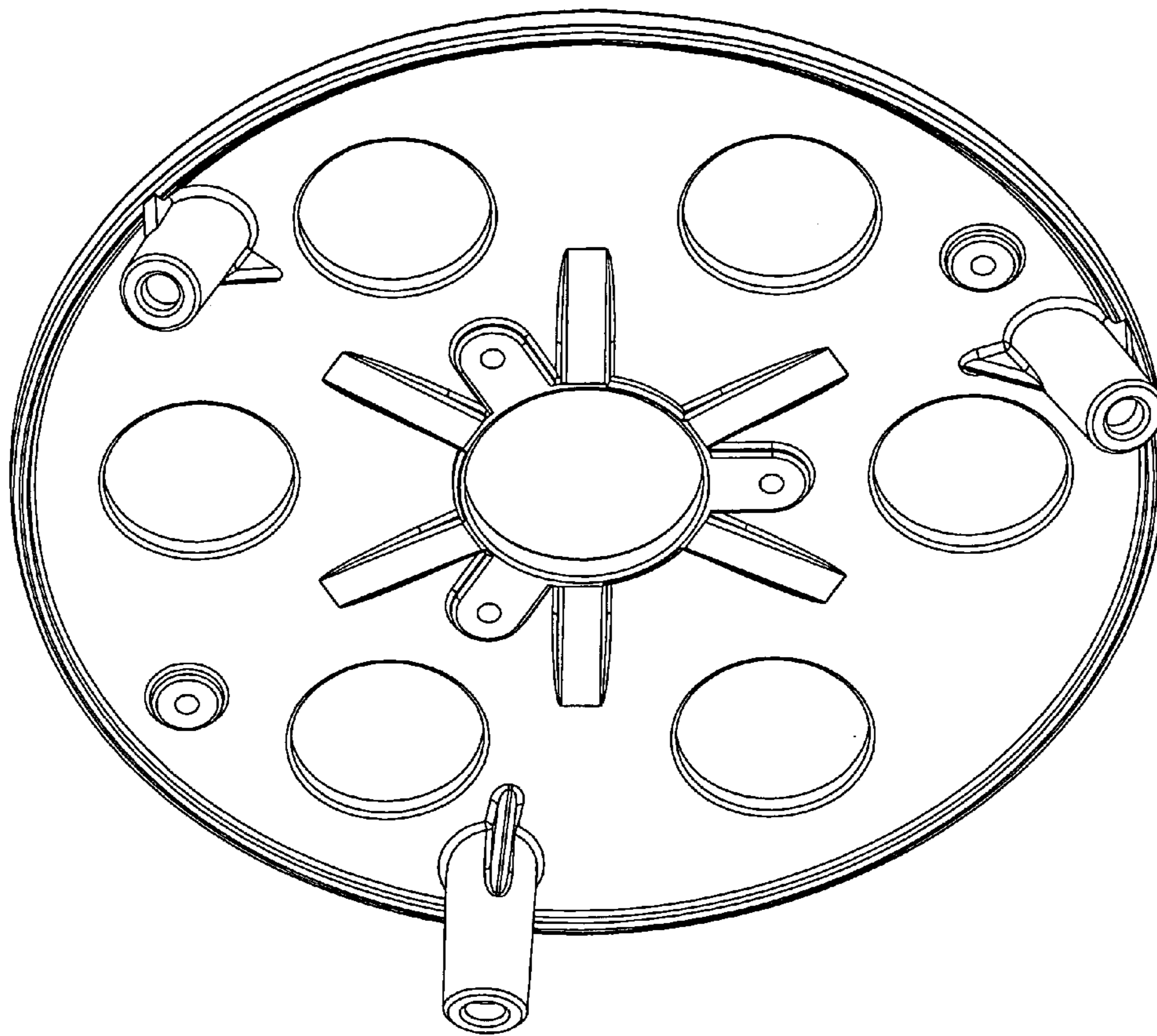


Fig. 2

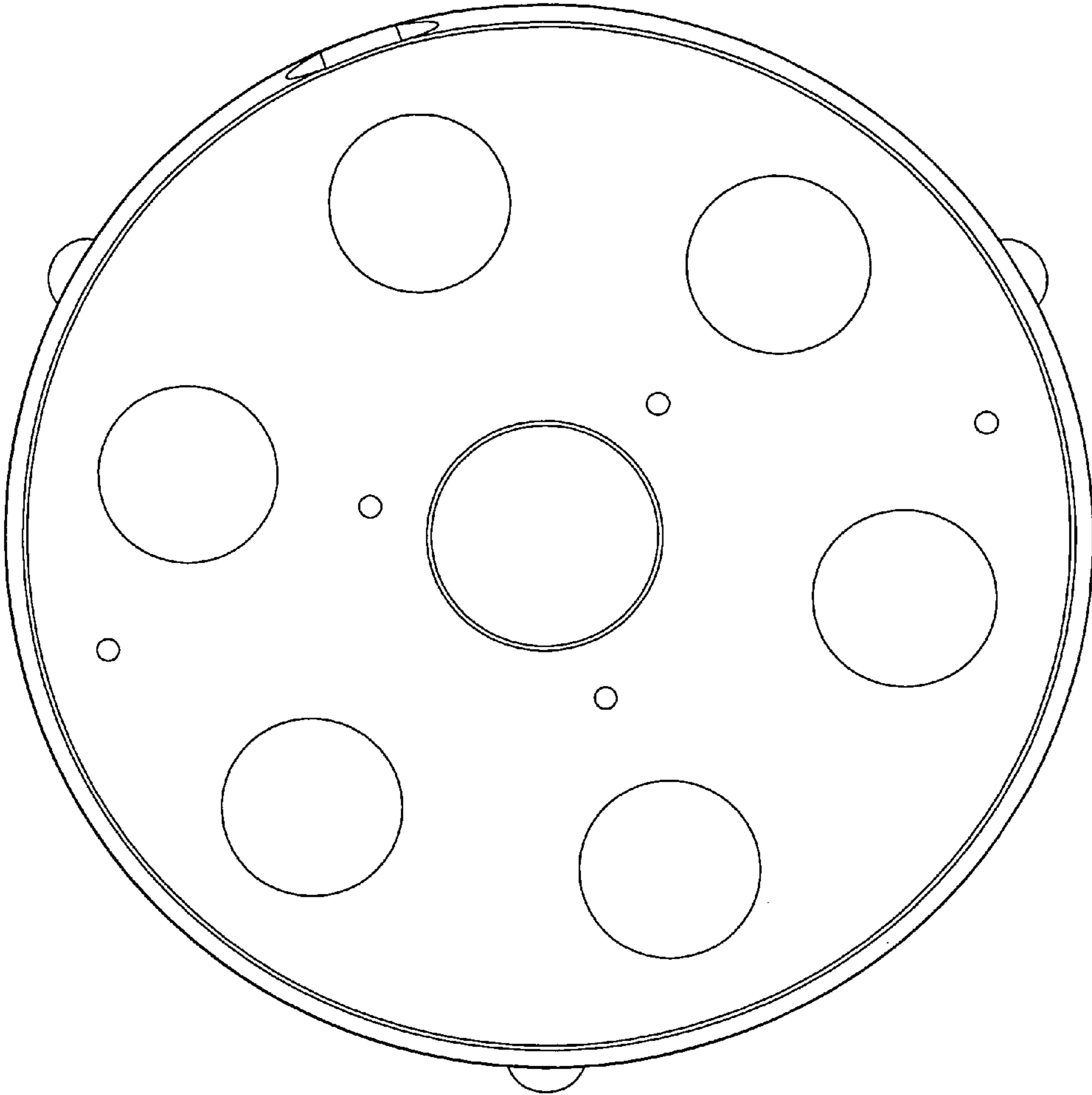


Fig. 3

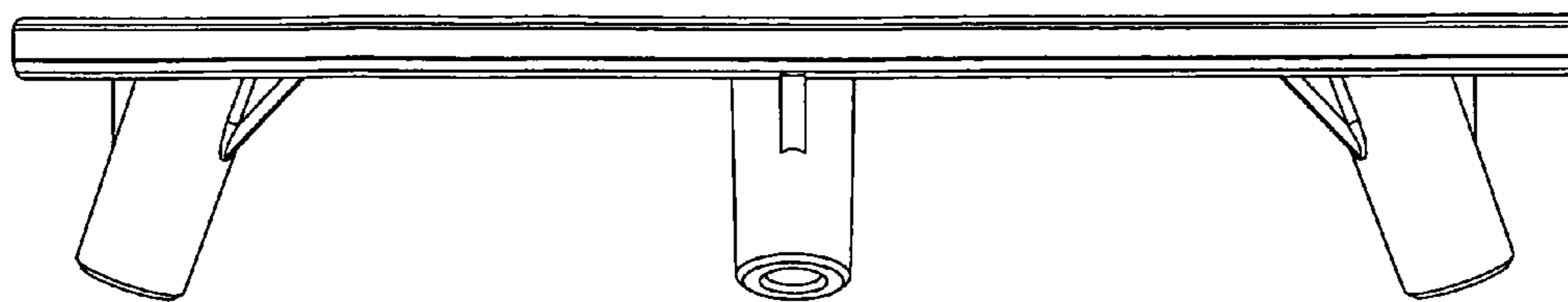


Fig. 4

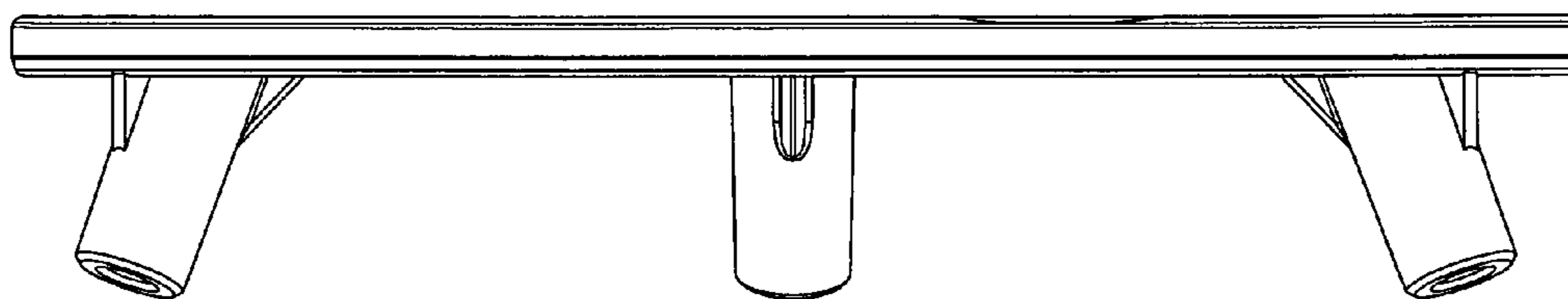


Fig. 5

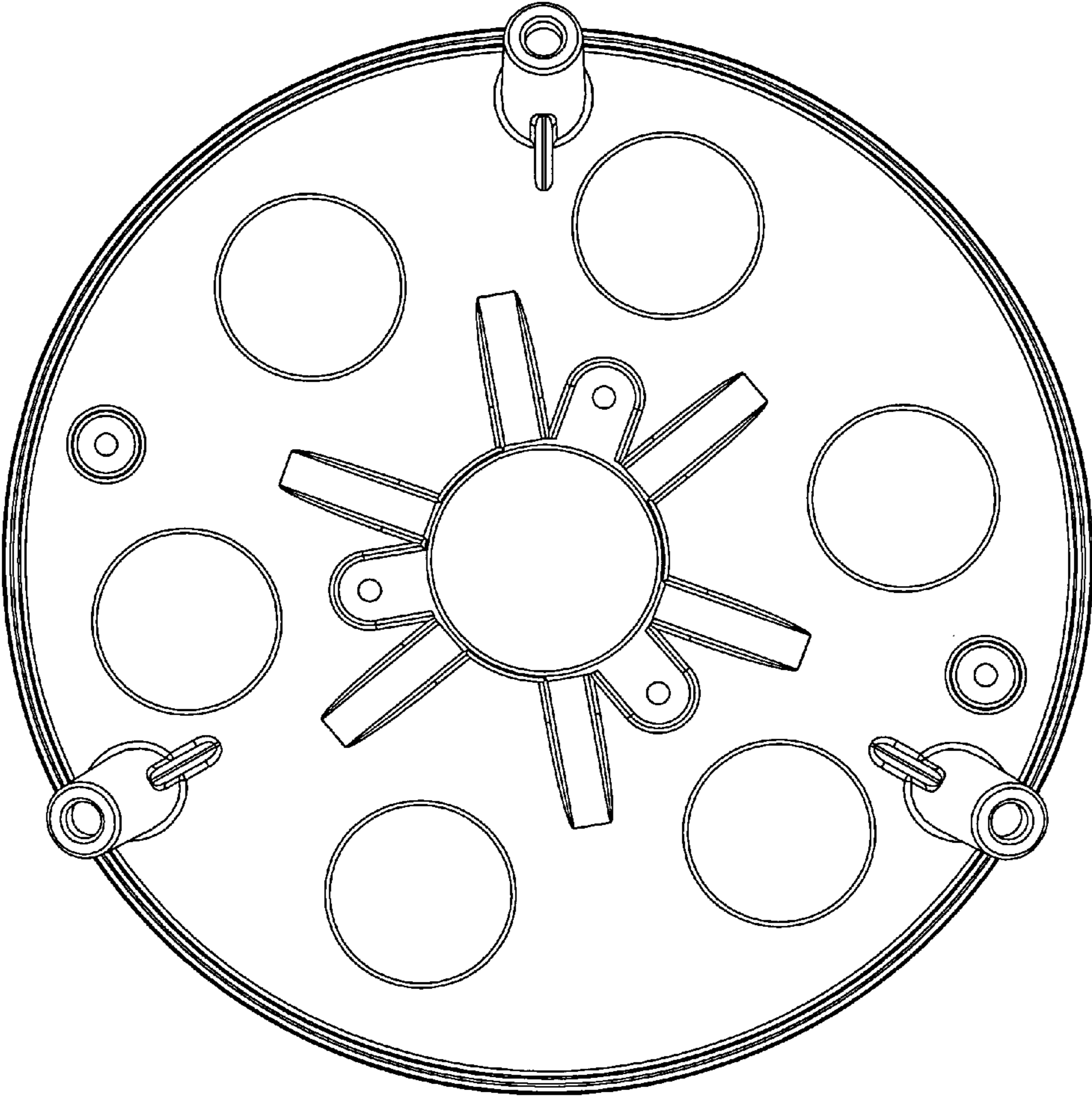


Fig. 6