



US00D679942S

(12) **United States Design Patent**
Lyall, III

(10) **Patent No.:** **US D679,942 S**

(45) **Date of Patent:** **** Apr. 16, 2013**

(54) **BREW BASKET FOR A COFFEE MAKER**

(75) Inventor: **Lucian Hite Lyall, III**, Rancho Santa Margarita, CA (US)

(73) Assignee: **Wilbur Curtis Company**, Montebello, CA (US)

(**) Term: **14 Years**

(21) Appl. No.: **29/405,977**

(22) Filed: **Nov. 8, 2011**

(51) **LOC (9) Cl.** **07-99**

(52) **U.S. Cl.**
USPC **D7/400**

(58) **Field of Classification Search** D7/512,
D7/399, 400, 667; 229/400; 99/280
See application file for complete search history.

(56) **References Cited**

U.S. PATENT DOCUMENTS

| | | | | | |
|-----------|-----|---------|---------------|-------|-----------|
| 967,368 | A * | 8/1910 | Grigsby | | 4/285 |
| 1,972,006 | A * | 8/1934 | Carew | | 229/400 |
| 2,110,765 | A * | 3/1938 | Gray et al. | | 229/400 |
| 3,616,934 | A * | 11/1971 | Ehrlich | | 210/441 |
| 4,064,053 | A * | 12/1977 | Gerson et al. | | 210/497.2 |

| | | | | | |
|-----------|-----|---------|-------------------|-------|------------|
| D286,006 | S * | 10/1986 | Kataoka | | D7/400 |
| 4,619,830 | A * | 10/1986 | Napier | | 426/82 |
| D287,217 | S * | 12/1986 | Napier | | D7/400 |
| 4,903,923 | A * | 2/1990 | Krentel | | 248/153 |
| 5,445,315 | A * | 8/1995 | Shelby | | 229/117.06 |
| D495,209 | S * | 8/2004 | Tranfaglia et al. | | D7/512 |
| D524,599 | S * | 7/2006 | Bodum | | D7/400 |
| D662,777 | S * | 7/2012 | Andrascik | | D7/512 |

* cited by examiner

Primary Examiner — Marianne Pandozzi

(74) *Attorney, Agent, or Firm* — Fulwider Patton, LLP

(57) **CLAIM**

The ornamental design for a brew basket for a coffee maker, as shown and described.

DESCRIPTION

FIG. 1 is a top perspective view of a brew basket for a coffee maker showing my new design;
FIG. 2 is a left side view thereof;
FIG. 3 is a right side view thereof;
FIG. 4 is a bottom view;
FIG. 5 is a top view;
FIG. 6 is a rear view; and,
FIG. 7 is a front view.

1 Claim, 4 Drawing Sheets

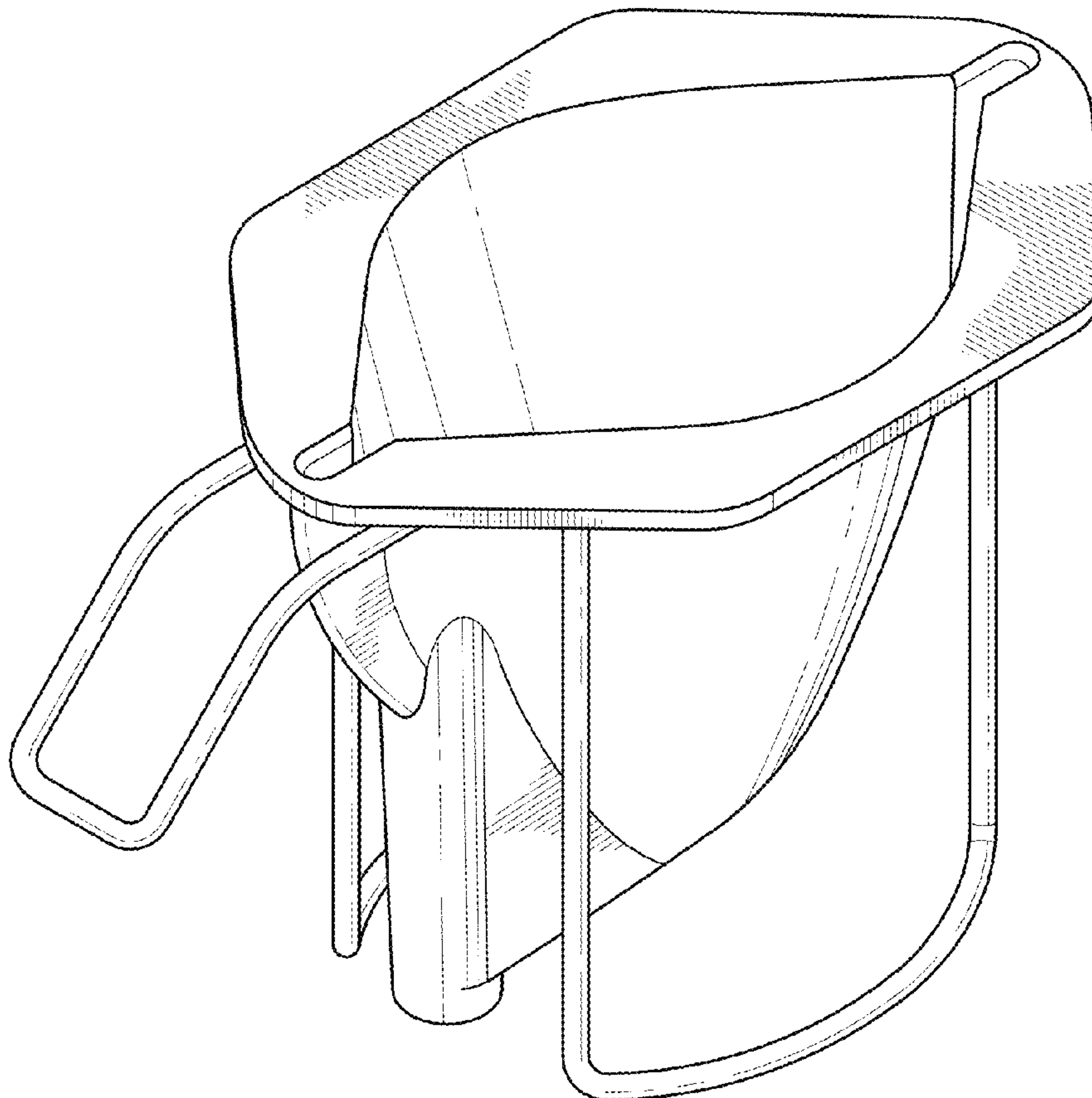


FIG. 1

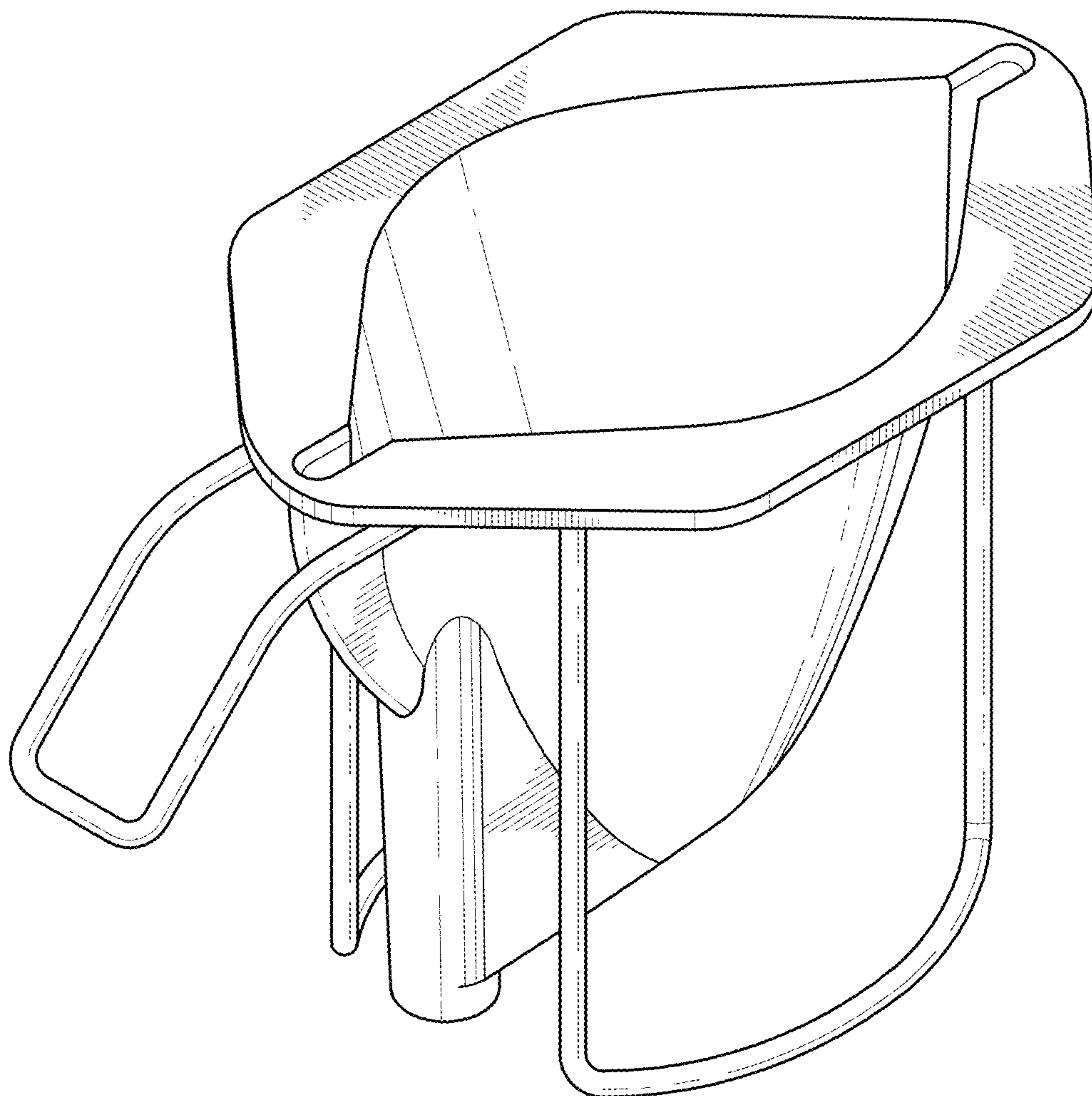


FIG. 2

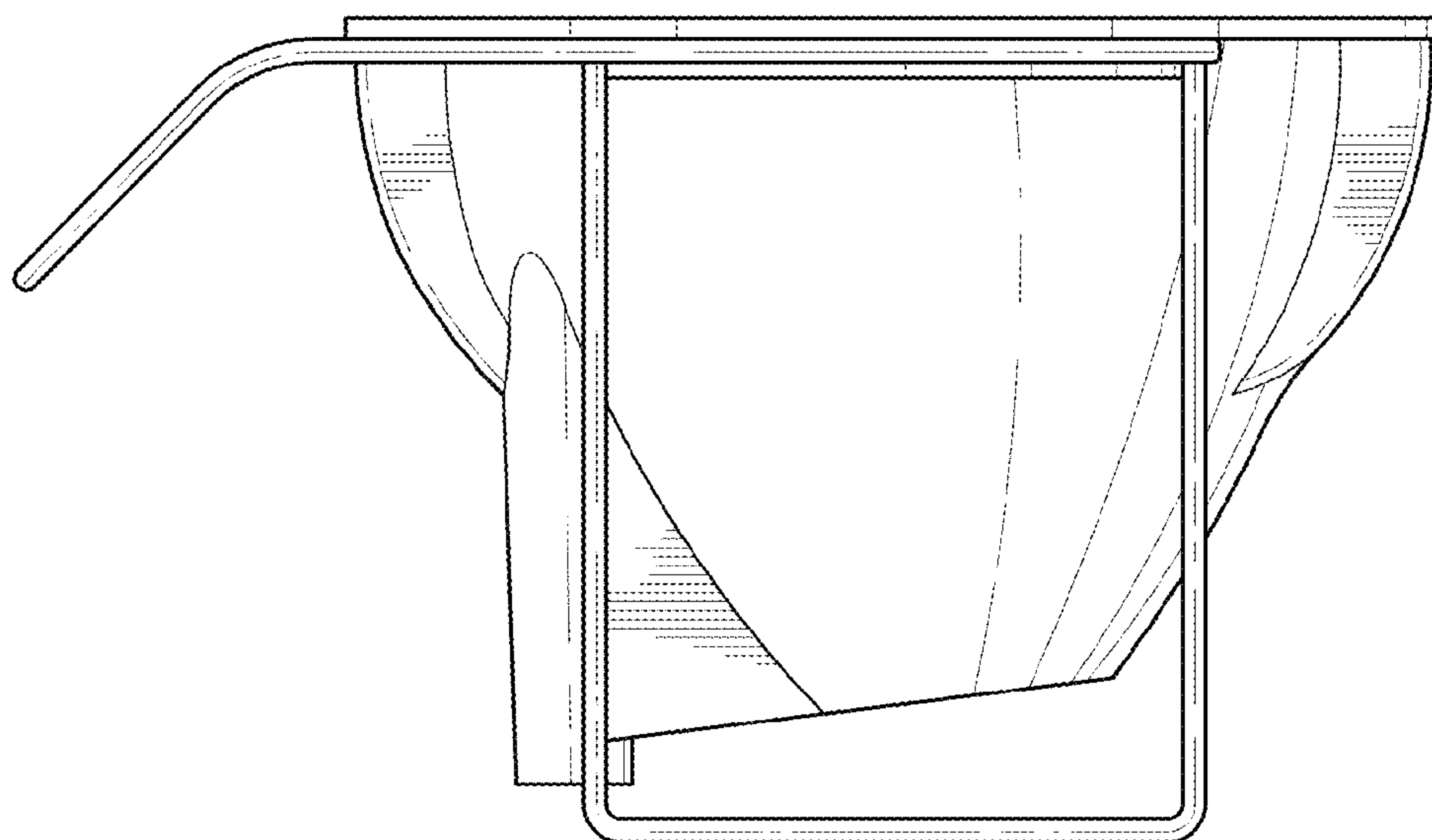


FIG. 3

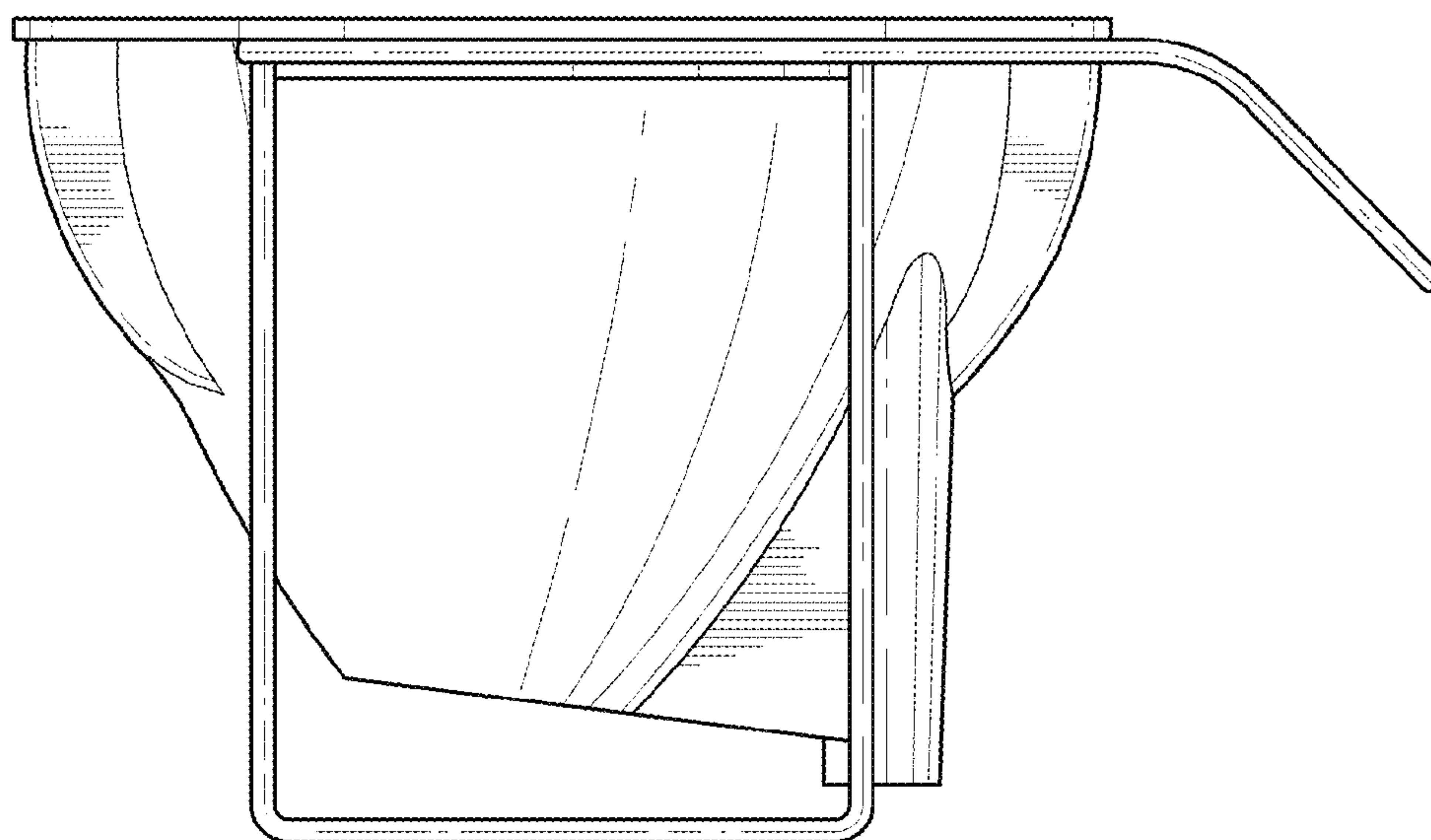


FIG. 4

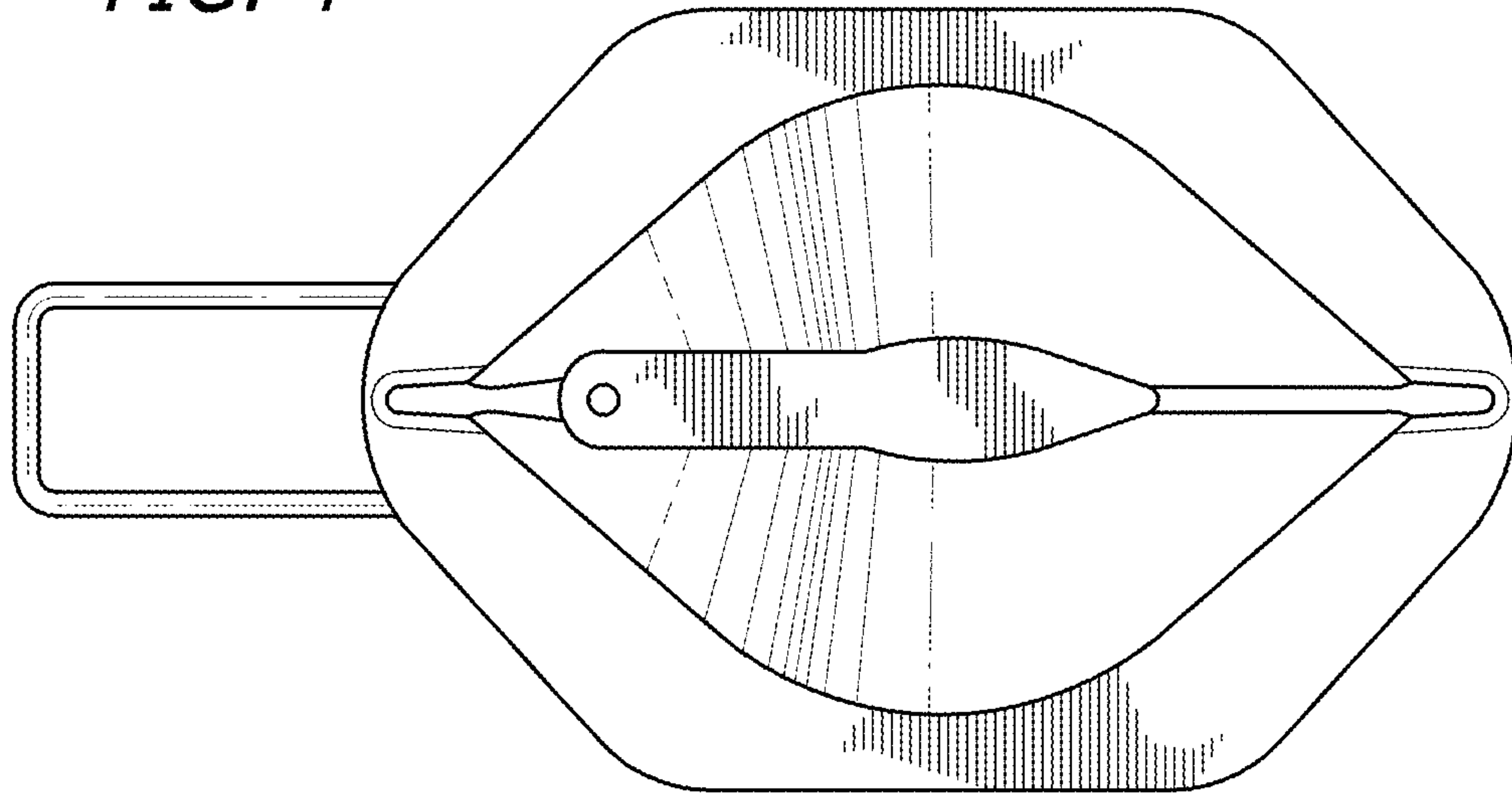


FIG. 5

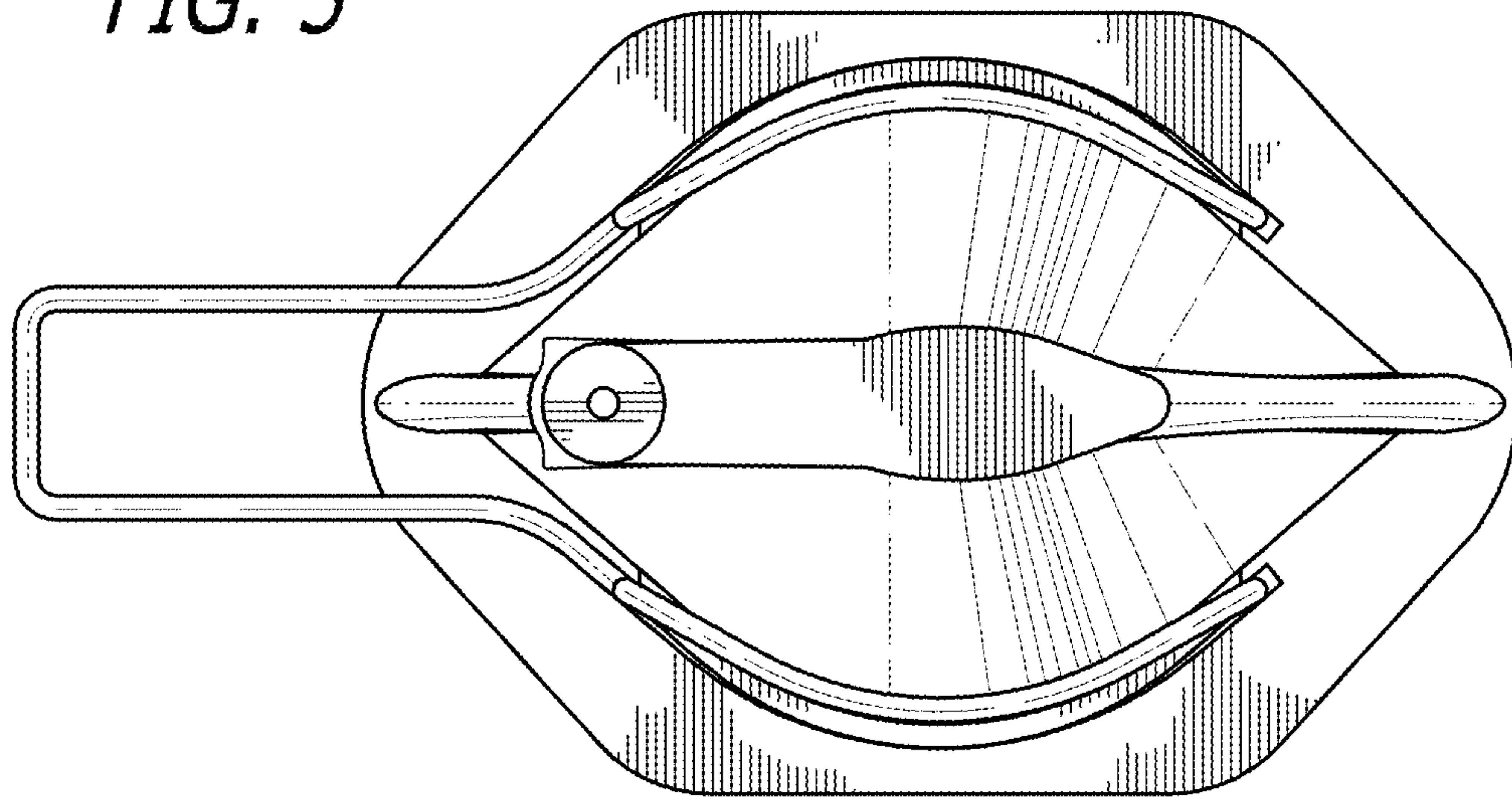


FIG. 6

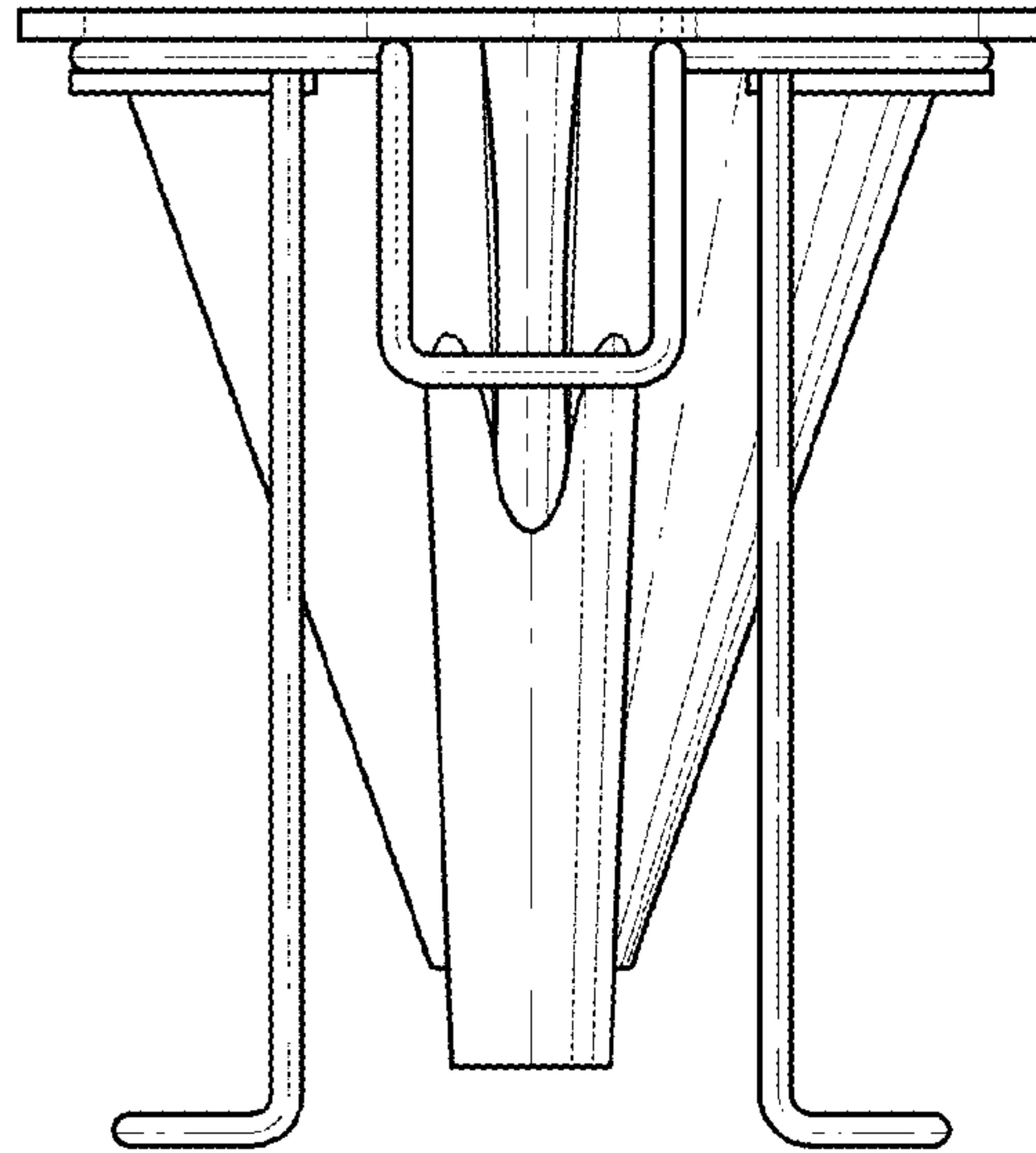


FIG. 7

