



US00D679941S

(12) **United States Design Patent**
Sigel

(10) **Patent No.:** **US D679,941 S**
(45) **Date of Patent:** **** Apr. 16, 2013**

(54) **HANDLE FOR KITCHEN UTENSILS**

(71) Applicant: **Lifetime Brands, Inc.**, Garden City, NY
(US)

(72) Inventor: **Jeffrey Sigel**, Kings Point, NY (US)

(73) Assignee: **Lifetime Brands, Inc.**, Garden City, NY
(US)

(**) Term: **14 Years**

(21) Appl. No.: **29/433,461**

(22) Filed: **Sep. 30, 2012**

(51) **LOC (9) Cl.** **07-02**

(52) **U.S. Cl.**
USPC **D7/395**

(58) **Field of Classification Search** D7/354-361,
D7/393-395, 401.2, 664, 688, 691, 692, 693;
D8/107, 300, 303, 307, 313, 321; D4/138,
D4/129; 16/421, 430, 431, 110.1, 407;
220/573.1-573.5, 752, 753, 755, 756, 759,
220/767, 771, 912

See application file for complete search history.

(56) **References Cited**

U.S. PATENT DOCUMENTS

D353,513 S * 12/1994 Kong D7/395
D373,506 S * 9/1996 Viemeister D7/395

D384,242 S * 9/1997 Ancona et al. D7/393
D416,439 S * 11/1999 Kwok D7/395
D417,585 S * 12/1999 Kwok D7/395
D427,044 S * 6/2000 White et al. D8/107
D495,198 S * 8/2004 Gonzalez D7/395
D533,026 S * 12/2006 Dotterman et al. D7/393
D533,399 S * 12/2006 Wright D7/395
D575,102 S * 8/2008 Rajasekaran et al. D7/395
D613,005 S * 3/2010 Lin D30/159
D629,649 S * 12/2010 Barber D7/401.2
D659,466 S * 5/2012 Wheeler et al. D7/395

* cited by examiner

Primary Examiner — Cynthia M Chin

(74) *Attorney, Agent, or Firm* — Tutunjian & Bitetto, P.C.

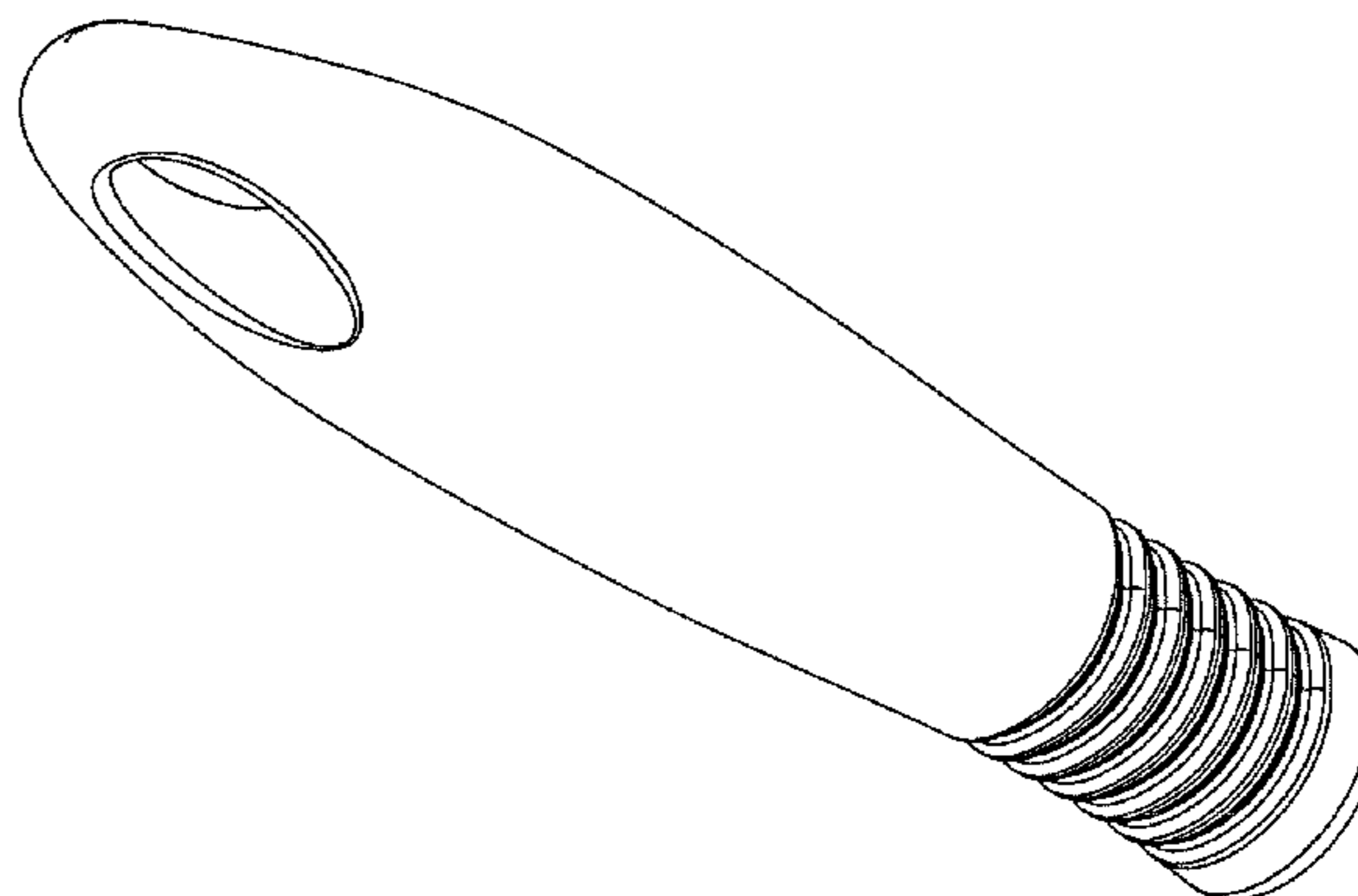
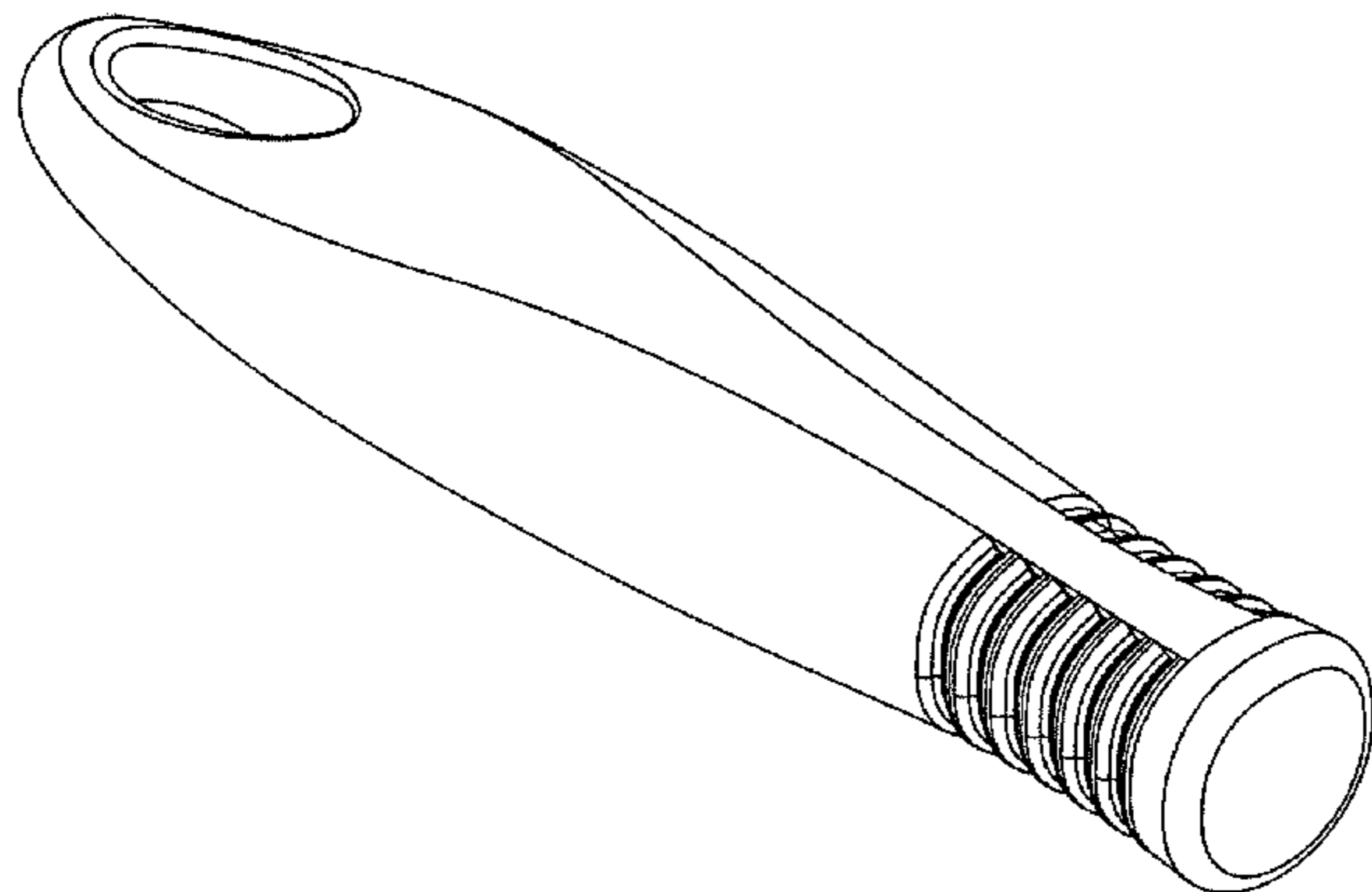
(57) **CLAIM**

The ornamental design for a handle for kitchen utensils, as shown and described.

DESCRIPTION

FIG. 1 is a top perspective view of the handle for kitchen utensils showing my new design;
FIG. 2 is a bottom perspective view thereof;
FIG. 3 is a top view thereof;
FIG. 4 is a bottom view thereof;
FIG. 5 is an end view thereof;
FIG. 6 is an opposite end view thereof; and,
FIG. 7 is a side view thereof, the other side being a mirror view thereof.

1 Claim, 3 Drawing Sheets



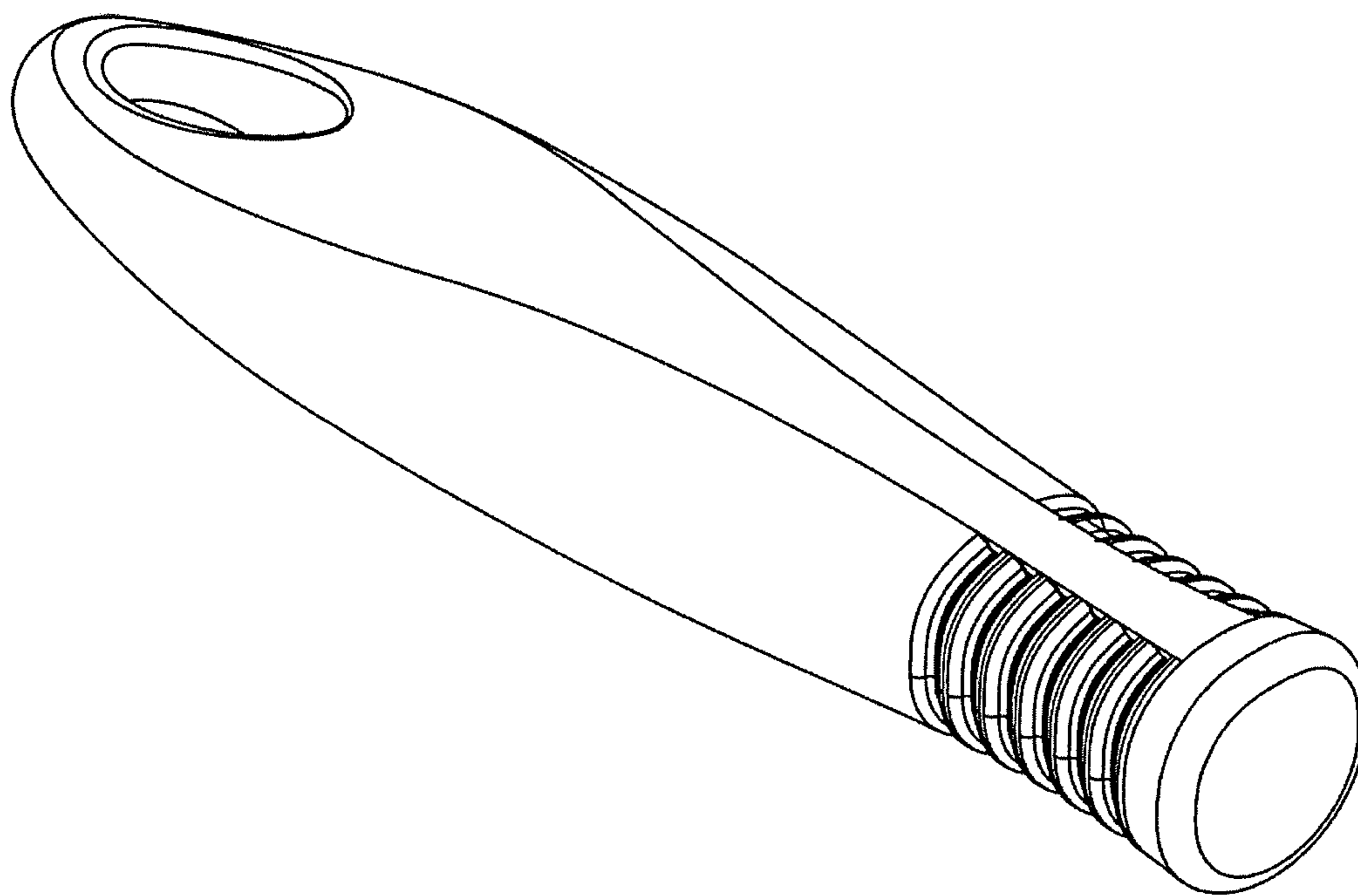


FIG. 1

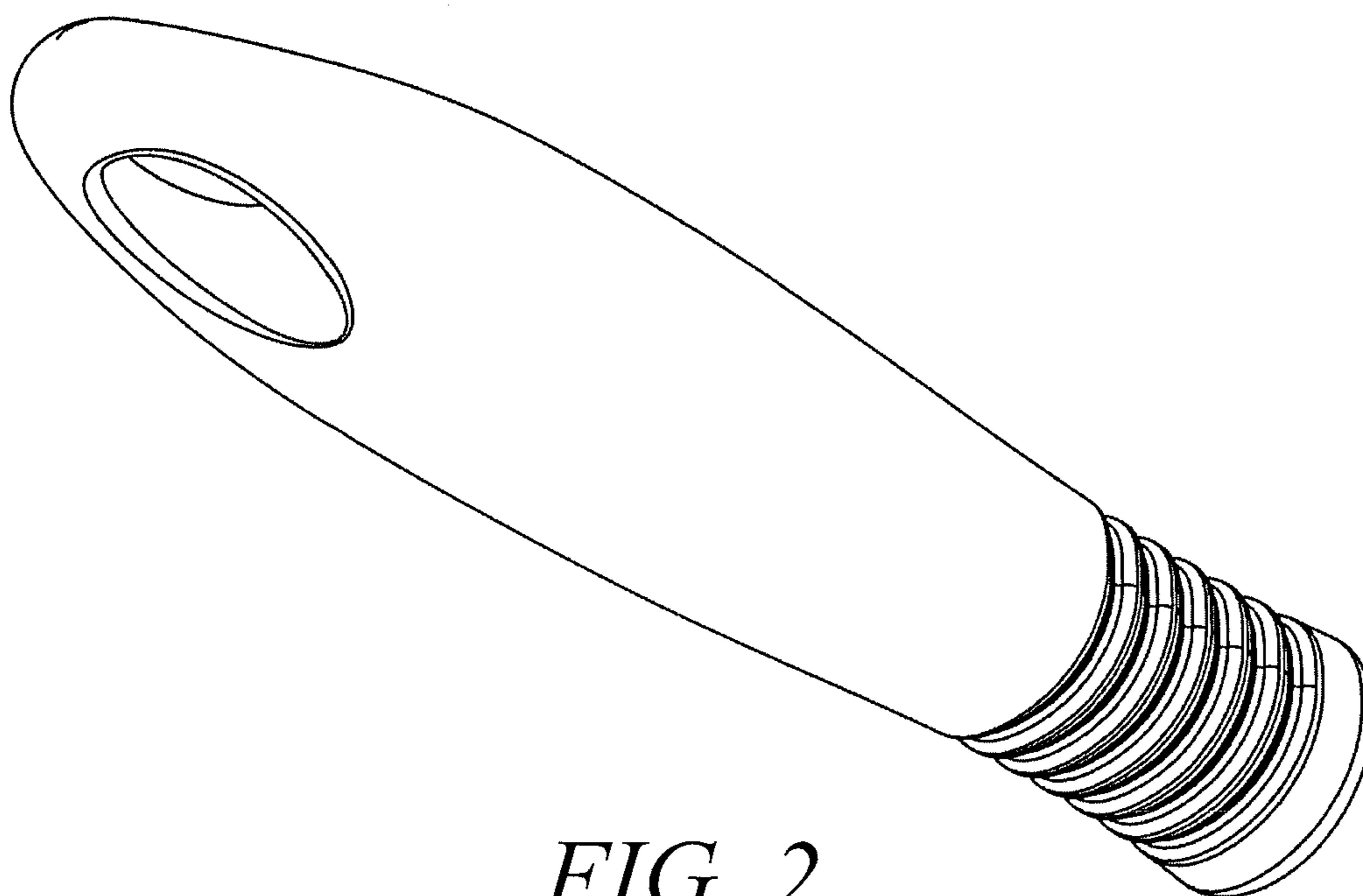


FIG. 2

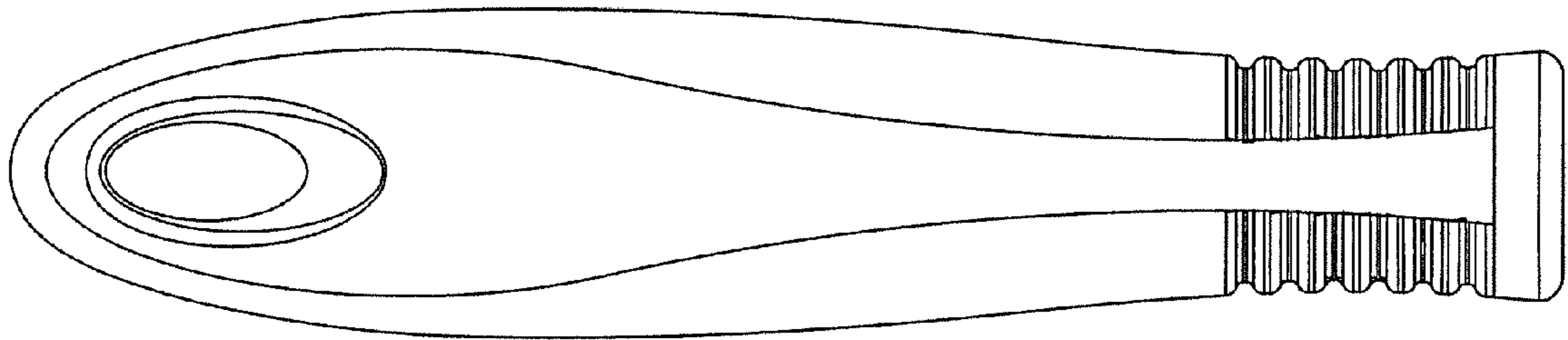


FIG. 3

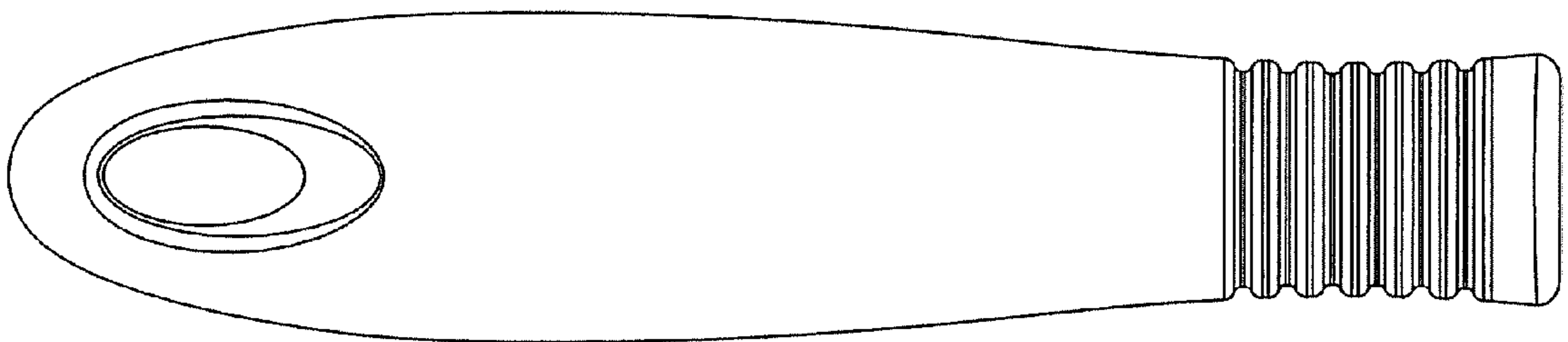


FIG. 4

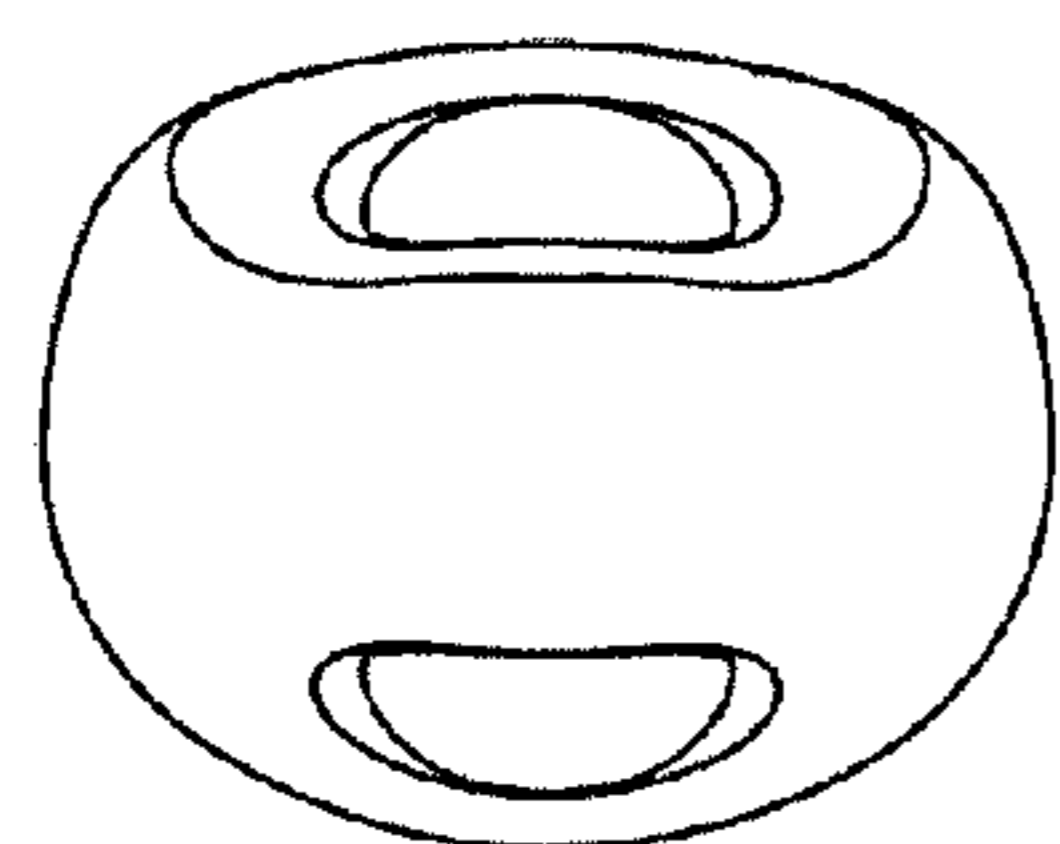


FIG. 5

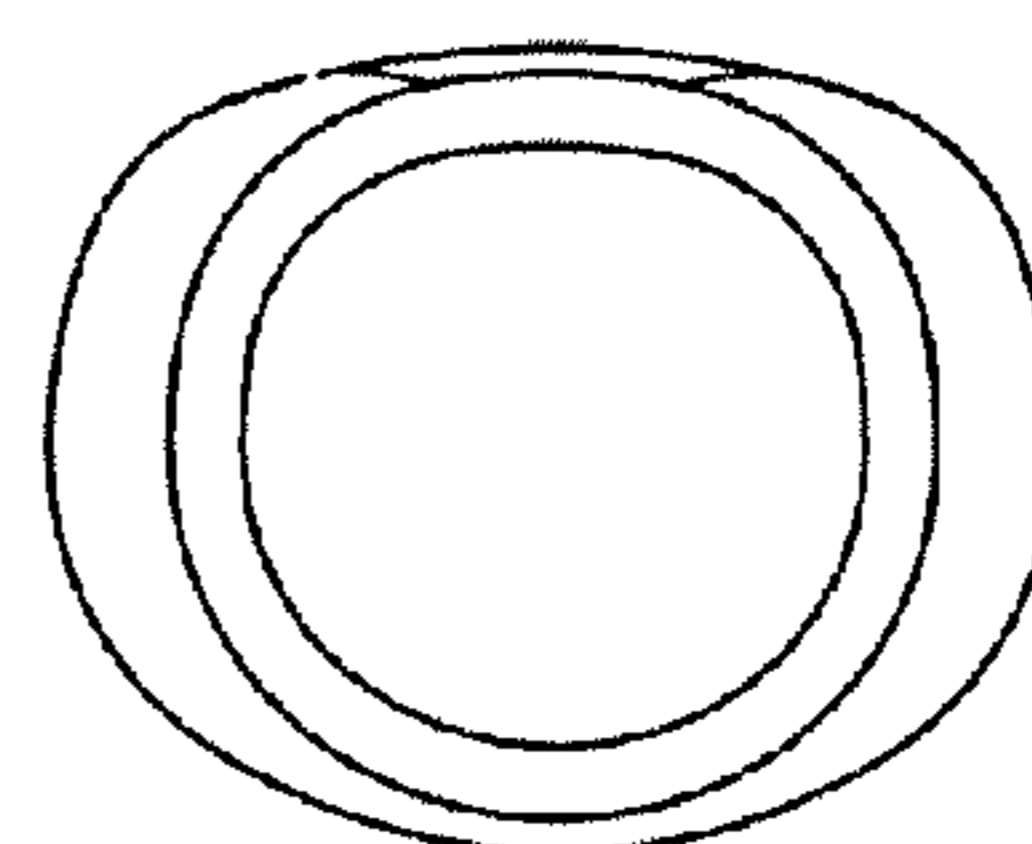


FIG. 6



FIG. 7

UNITED STATES PATENT AND TRADEMARK OFFICE
CERTIFICATE OF CORRECTION

PATENT NO. : D679,941 S
APPLICATION NO. : 29/433461
DATED : April 16, 2013
INVENTOR(S) : Jeffrey Siegel

Page 1 of 1

It is certified that error appears in the above-identified patent and that said Letters Patent is hereby corrected as shown below:

On the title page, item [72] should read --Jeffrey Siegel--.

Signed and Sealed this
Eighteenth Day of June, 2013



Teresa Stanek Rea
Acting Director of the United States Patent and Trademark Office