



US00D679939S

(12) **United States Design Patent**  
**Fouquet**

(10) **Patent No.:** **US D679,939 S**

(45) **Date of Patent:** **\*\* Apr. 16, 2013**

(54) **COFFEE GRINDER**

(75) Inventor: **Nicolas Fouquet**, Chassieu (FR)

(73) Assignee: **Santos**, Vaulx-En-Velin (FR)

(\*\*) Term: **14 Years**

(21) Appl. No.: **29/418,029**

(22) Filed: **Apr. 11, 2012**

(30) **Foreign Application Priority Data**

Oct. 18, 2011 (EM) ..... 001934100-0001

(51) **LOC (9) Cl.** ..... **31-00**

(52) **U.S. Cl.**  
USPC ..... **D7/373; D7/372**

(58) **Field of Classification Search** ..... D7/301-313,  
D7/316-319, 356-357, 368, 372-386, 391-399,  
D7/412-415, 503-515, 532, 665, 679, 691-693;  
99/326, 348, 492, 508-512; 241/30-37.5,  
241/100, 101.01-101.2, 166-169.1, 172,  
241/272, 285.1-285.3, 291, 292.1; 366/64-67,  
366/98, 129, 142-144, 192-211, 241-254,  
366/262, 279-292, 325.8, 325.92, 341-347;  
416/75-77, 70 R, 163

See application file for complete search history.

(56) **References Cited**

U.S. PATENT DOCUMENTS

D182,481	S	*	4/1958	Schuhmann	.....	D7/373
3,094,290	A	*	6/1963	Engi	.....	241/100
D245,060	S	*	7/1977	Hauenstein	.....	D7/399
4,685,624	A	*	8/1987	Nidiffer et al.	.....	241/36
4,714,206	A	*	12/1987	Nidiffer et al.	.....	241/100
D295,359	S	*	4/1988	Nidiffer et al.	.....	D7/373
D296,181	S	*	6/1988	Schaaf et al.	.....	D7/373
4,813,622	A	*	3/1989	Nidiffer et al.	.....	241/100
5,042,731	A	*	8/1991	Ford	.....	241/100
D356,467	S	*	3/1995	Smit	.....	D7/311
5,865,383	A	*	2/1999	Ford et al.	.....	241/36
5,944,269	A	*	8/1999	Rushing	.....	241/100
D495,197	S	*	8/2004	Lassota et al.	.....	D7/373

\* cited by examiner

*Primary Examiner* — Ricky Pham

(74) *Attorney, Agent, or Firm* — Stites & Harbison PLLC;  
Douglas E. Jackson

(57) **CLAIM**

The ornamental design for a coffee grinder, as shown and described.

**DESCRIPTION**

FIG. 1 is a front, top and right side perspective view of a coffee grinder showing the new design.

FIG. 2 is a front view thereof.

FIG. 3 is rear view thereof.

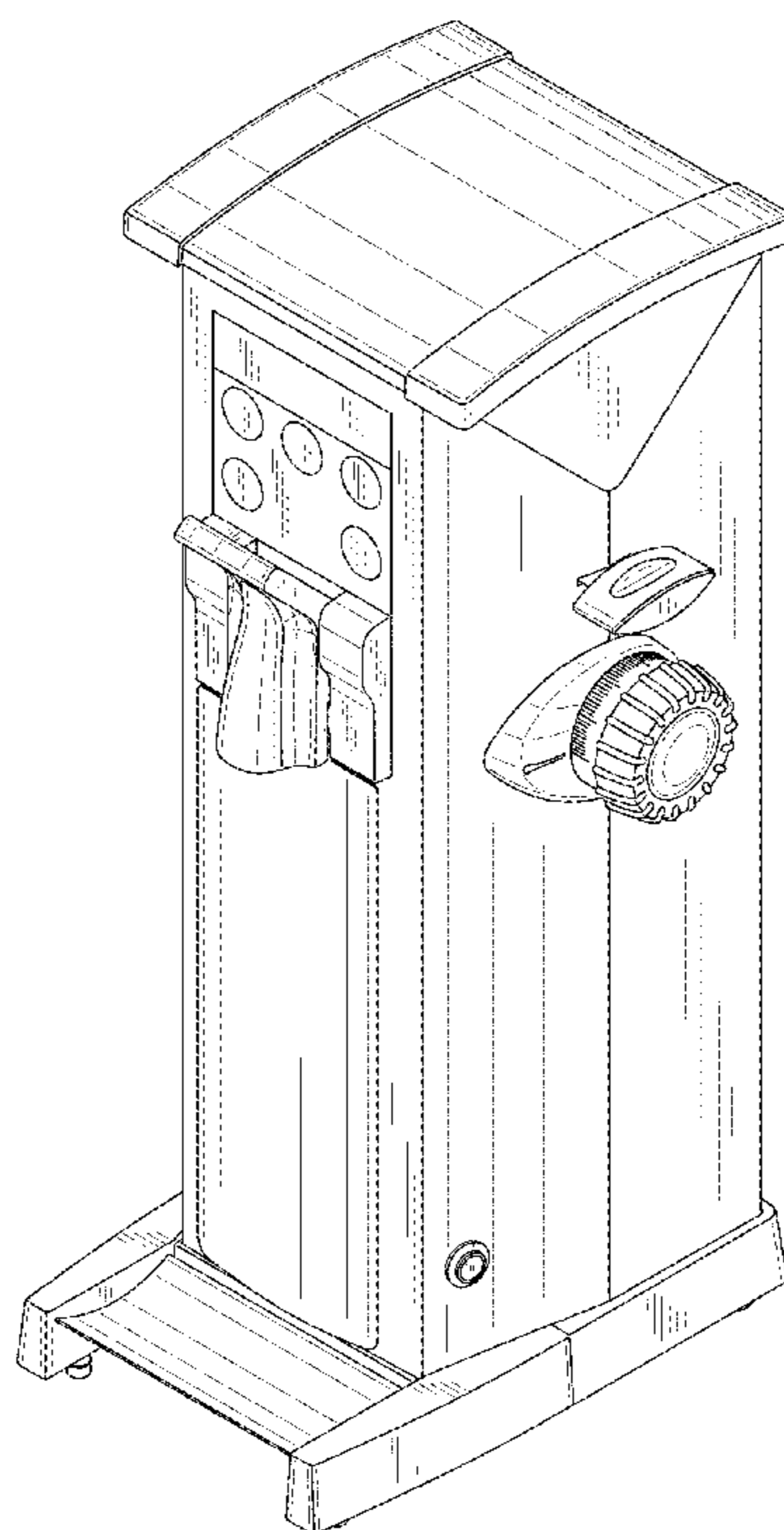
FIG. 4 is a right side view thereof.

FIG. 5 is a left side view thereof.

FIG. 6 is an enlarged top plan view thereof; and,

FIG. 7 is a bottom view thereof.

**1 Claim, 7 Drawing Sheets**



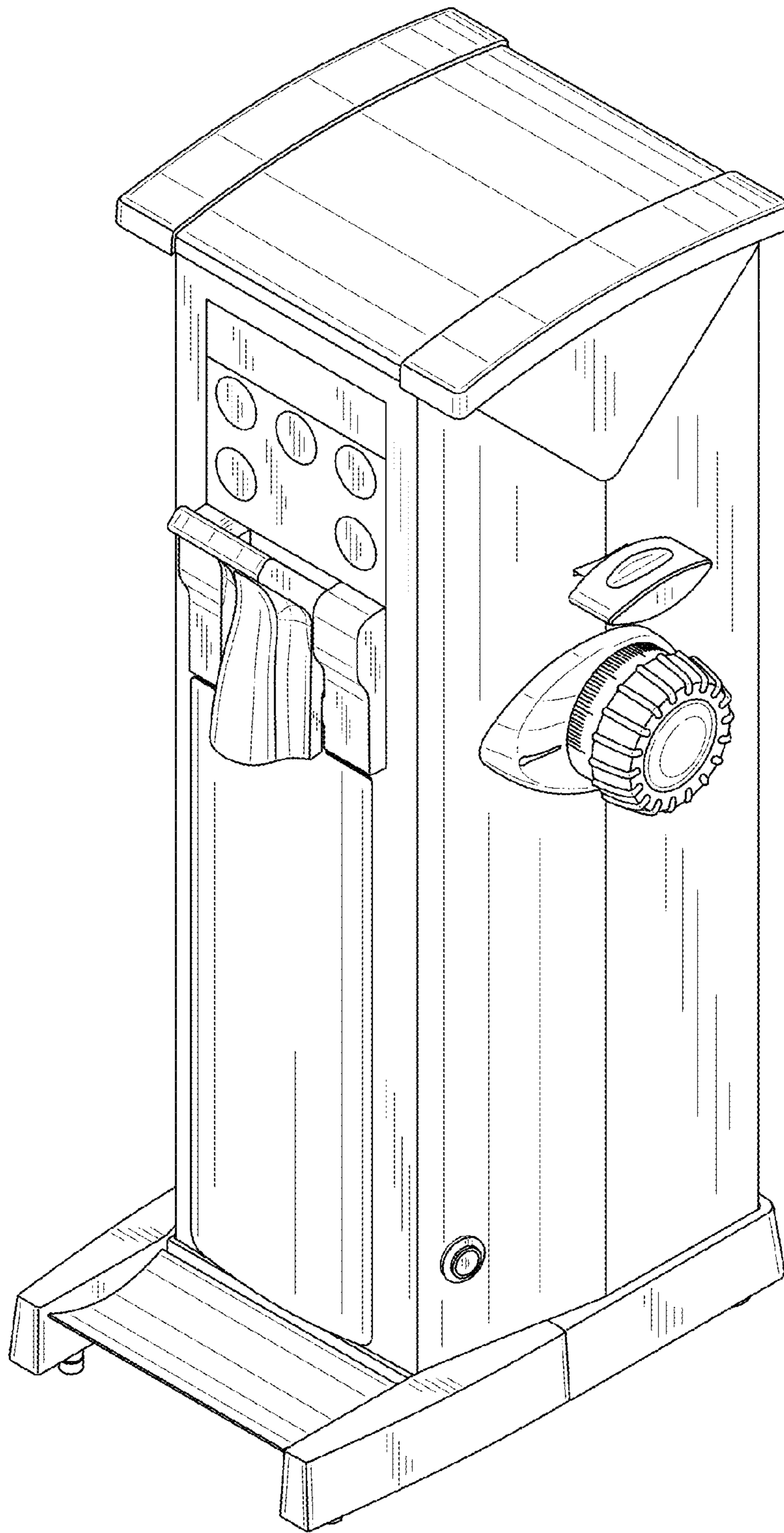


FIG. 1

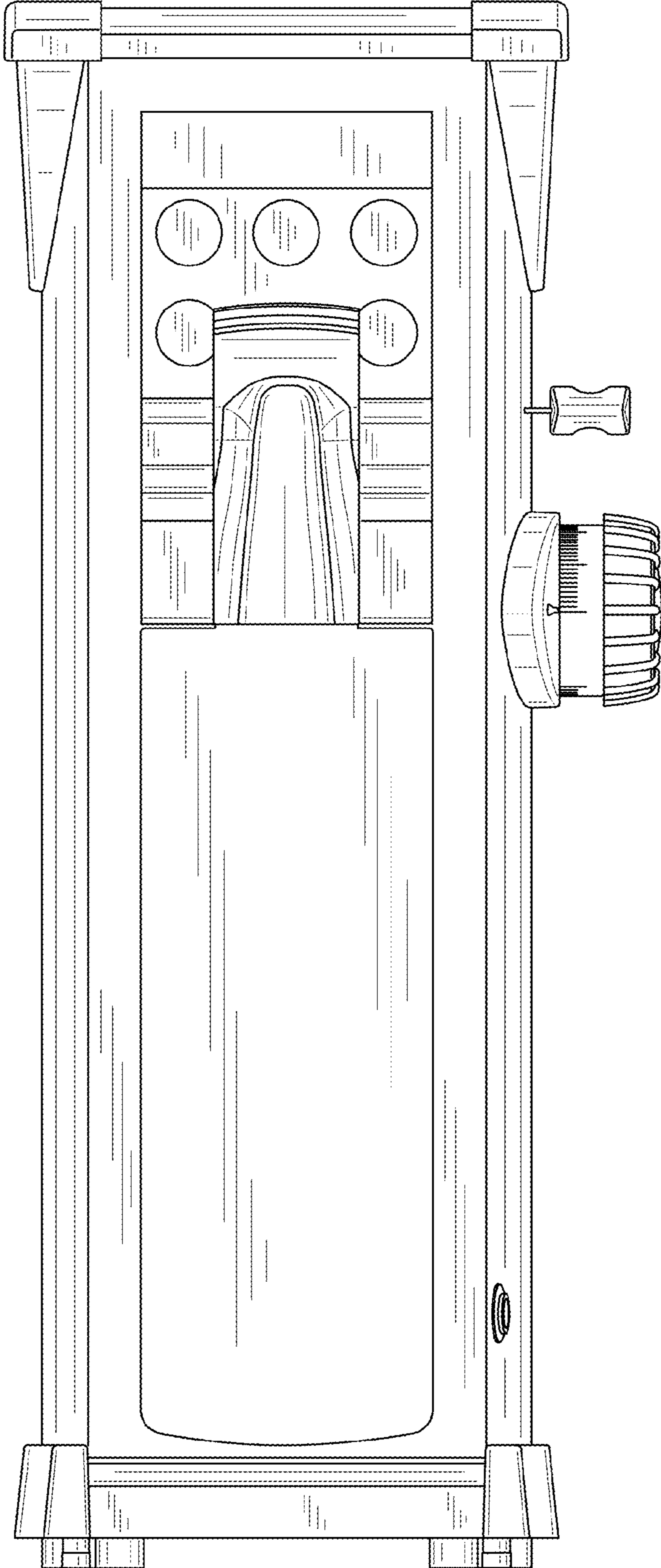


FIG. 2

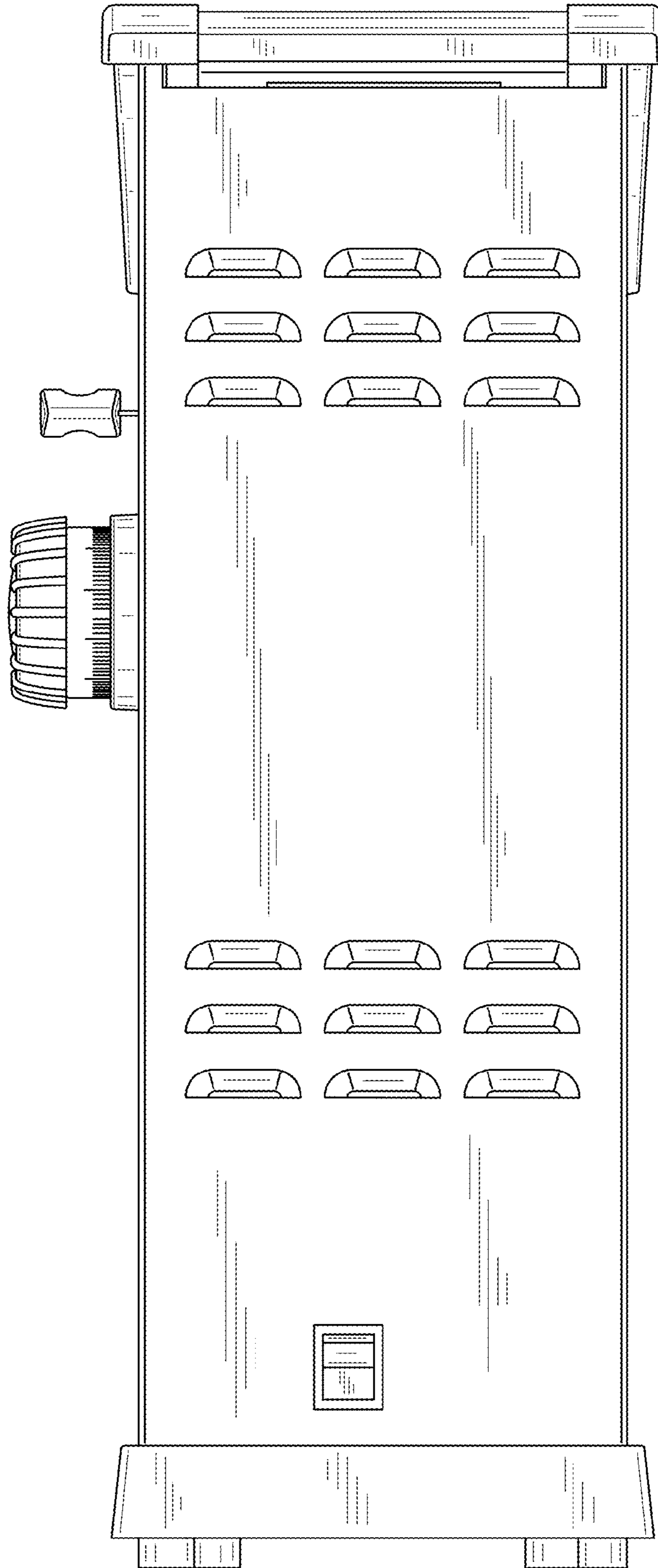


FIG. 3

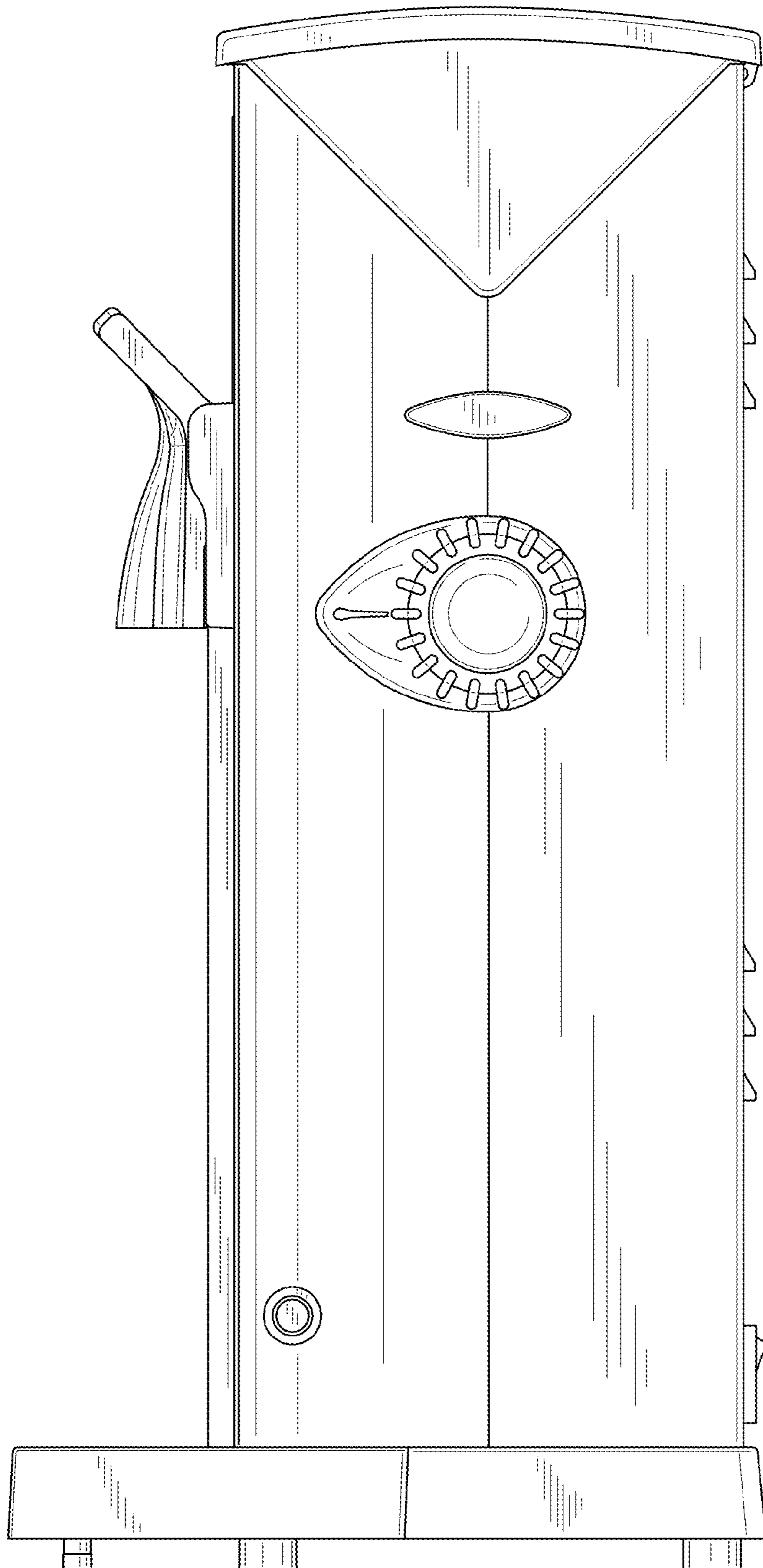


FIG. 4

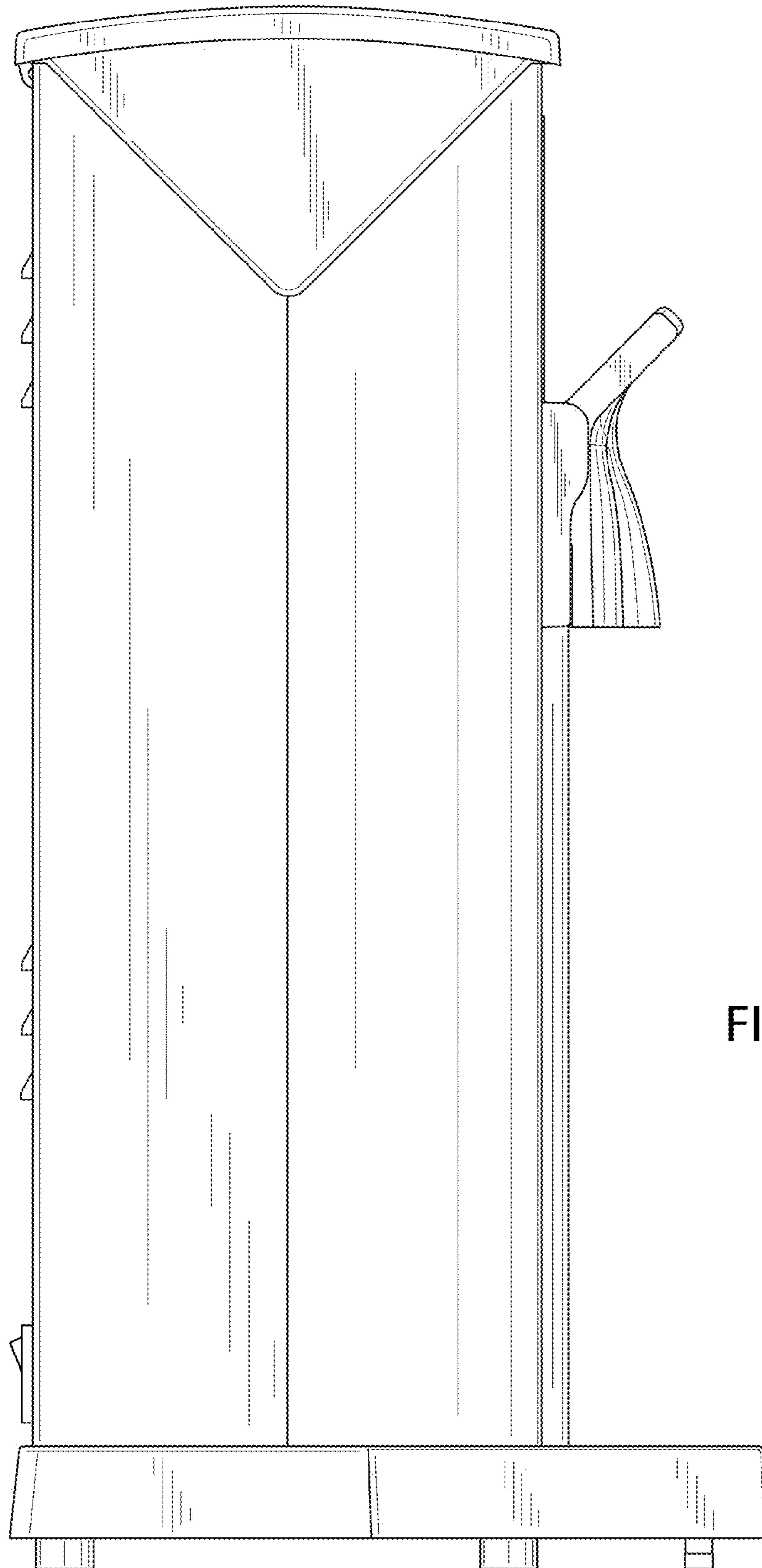


FIG. 5

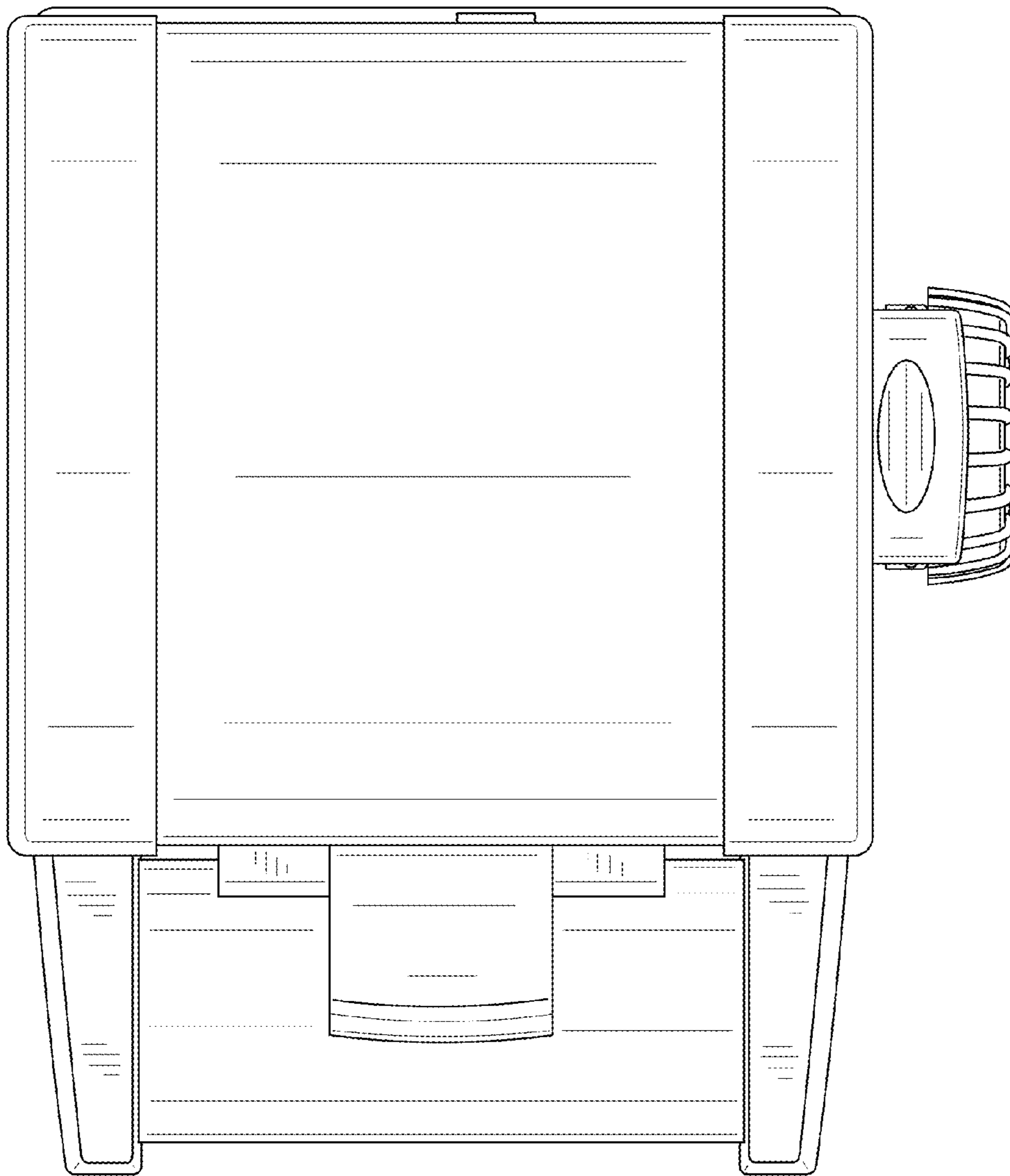


FIG. 6

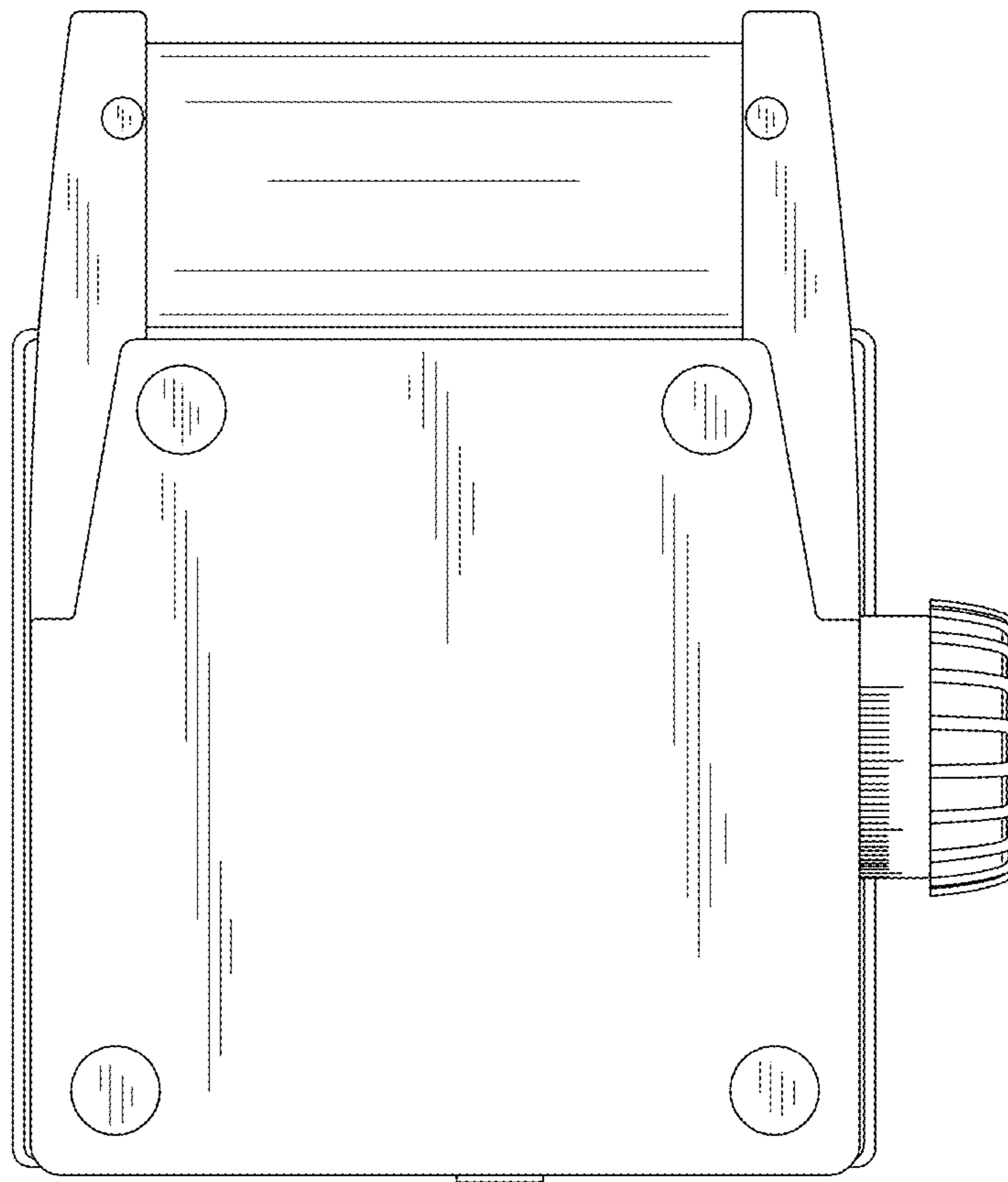


FIG. 7