



US00D679936S

(12) **United States Design Patent**  
**Chung**

(10) **Patent No.:** **US D679,936 S**  
(45) **Date of Patent:** **\*\* Apr. 16, 2013**

(54) **BARBECUE GRILL**

(76) Inventor: **Kiosky Chung**, Taichung (TW)

(\*\*) Term: **14 Years**

(21) Appl. No.: **29/406,705**

(22) Filed: **Nov. 17, 2011**

(51) **LOC (9) Cl.** ..... **07-02**

(52) **U.S. Cl.**  
USPC ..... **D7/332**

(58) **Field of Classification Search** ..... D7/332,  
D7/334, 337, 402-406, 409; 126/27, 44,  
126/25 R, 41 R, 9 R, 40, 50, 38, 39 H, 39 N,  
126/39 K, 39 M, 39 R, 39 J, 39 G, 39 E,  
126/285 R, 287, 290, 80, 243; 99/425, 444-44,  
99/450, 481, 482, 340; 431/247, 207, 264  
See application file for complete search history.

(56) **References Cited**

**U.S. PATENT DOCUMENTS**

D211,919 S *	8/1968	Harff	.....	D7/335
D271,935 S *	12/1983	Conner et al.	.....	D7/332
4,705,020 A *	11/1987	Hahn	.....	126/41 R
D382,765 S *	8/1997	Kellermann	.....	D7/332
D386,936 S *	12/1997	Stone et al.	.....	D7/332
D428,561 S *	7/2000	Johnson	.....	D7/335
6,098,611 A *	8/2000	Fillmore	.....	126/50
D463,195 S *	9/2002	Jimenez	.....	D7/332
D463,709 S *	10/2002	Bossler	.....	D7/334
D480,906 S *	10/2003	Pai	.....	D7/334
6,978,777 B2 *	12/2005	Pestruet et al.	.....	126/25 R

D520,804 S *	5/2006	Lu	.....	D7/335
D524,592 S *	7/2006	Brunner et al.	.....	D7/332
D547,592 S *	7/2007	Chiang	.....	D7/332
D558,511 S *	1/2008	Brunner et al.	.....	D7/332
D563,144 S *	3/2008	Melzer et al.	.....	D7/332
D570,642 S *	6/2008	Svartstrom	.....	D7/337
D614,435 S *	4/2010	Lin	.....	D7/334
D656,774 S *	4/2012	Lin	.....	D7/334
2009/0020108 A1 *	1/2009	Chiang	.....	126/25 R
2009/0194091 A1 *	8/2009	Dong	.....	126/25 R
2009/0255525 A1 *	10/2009	Wu	.....	126/25 R
2011/0083659 A1 *	4/2011	Grasso et al.	.....	126/25 R
2012/0012094 A1 *	1/2012	Halperin	.....	126/25 R

\* cited by examiner

*Primary Examiner* — Ruth McInroy

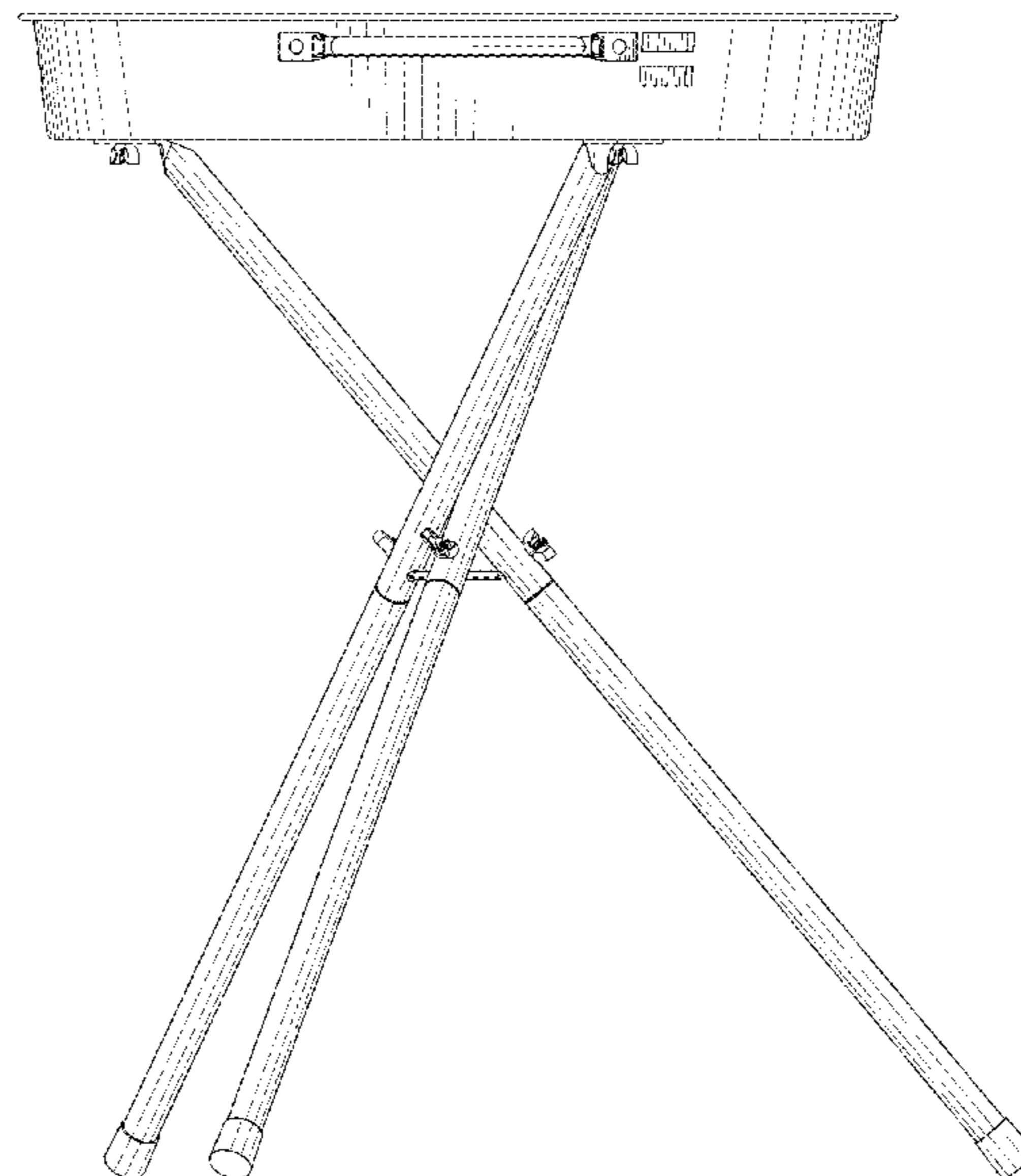
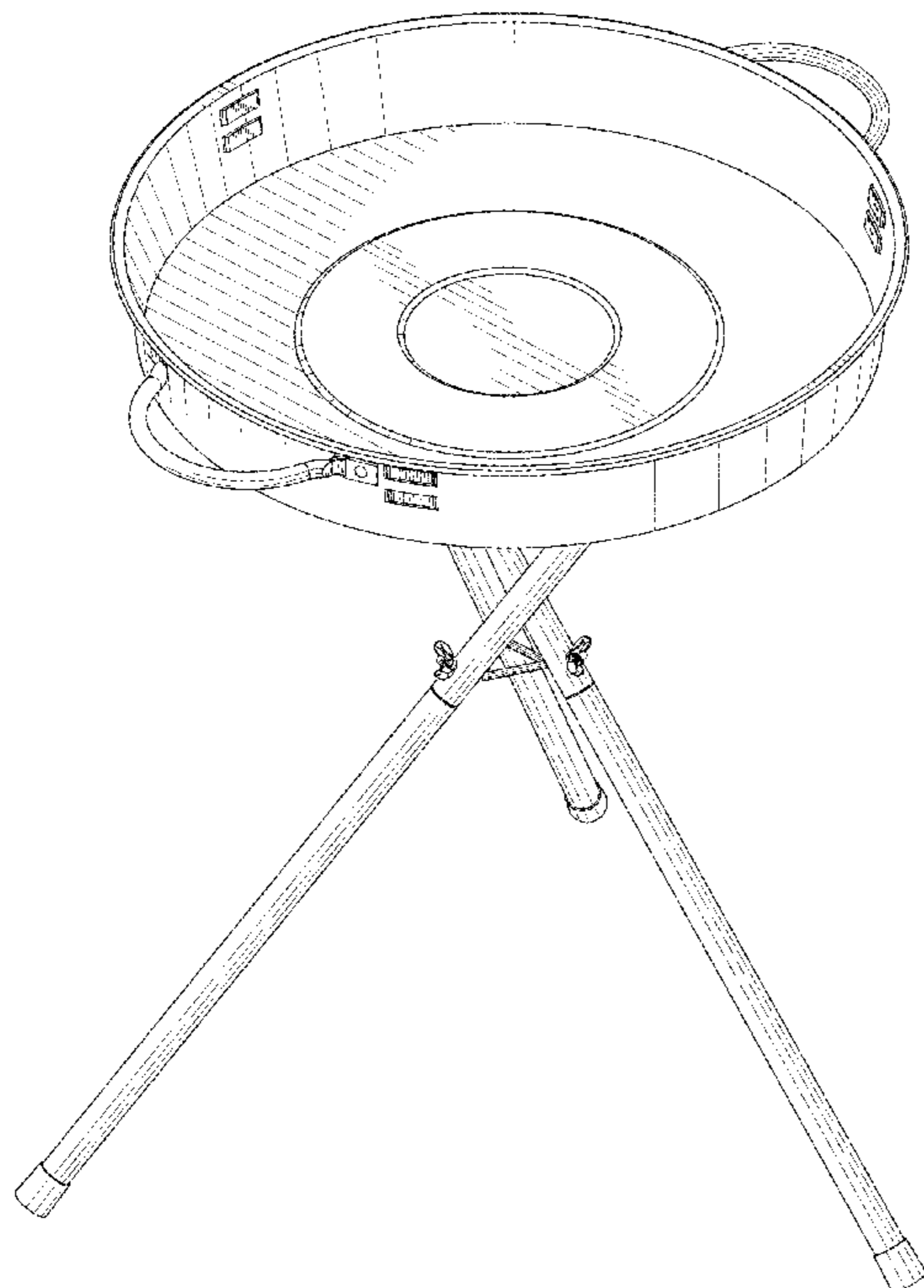
(57) **CLAIM**

I claim the ornamental design for a barbecue grill, as shown and described.

**DESCRIPTION**

FIG. 1 is a perspective view of a barbecue grill, showing my new design;  
FIG. 2 is a front elevational view thereof;  
FIG. 3 is a rear elevational view thereof;  
FIG. 4 is a left side elevational view thereof;  
FIG. 5 is a right side elevational view thereof;  
FIG. 6 is a top plan view thereof;  
FIG. 7 is a bottom plan view thereof; and,  
FIG. 8 is another perspective view thereof, with phantom lines for illustrating a grid that forms no part of the claimed design.

**1 Claim, 8 Drawing Sheets**



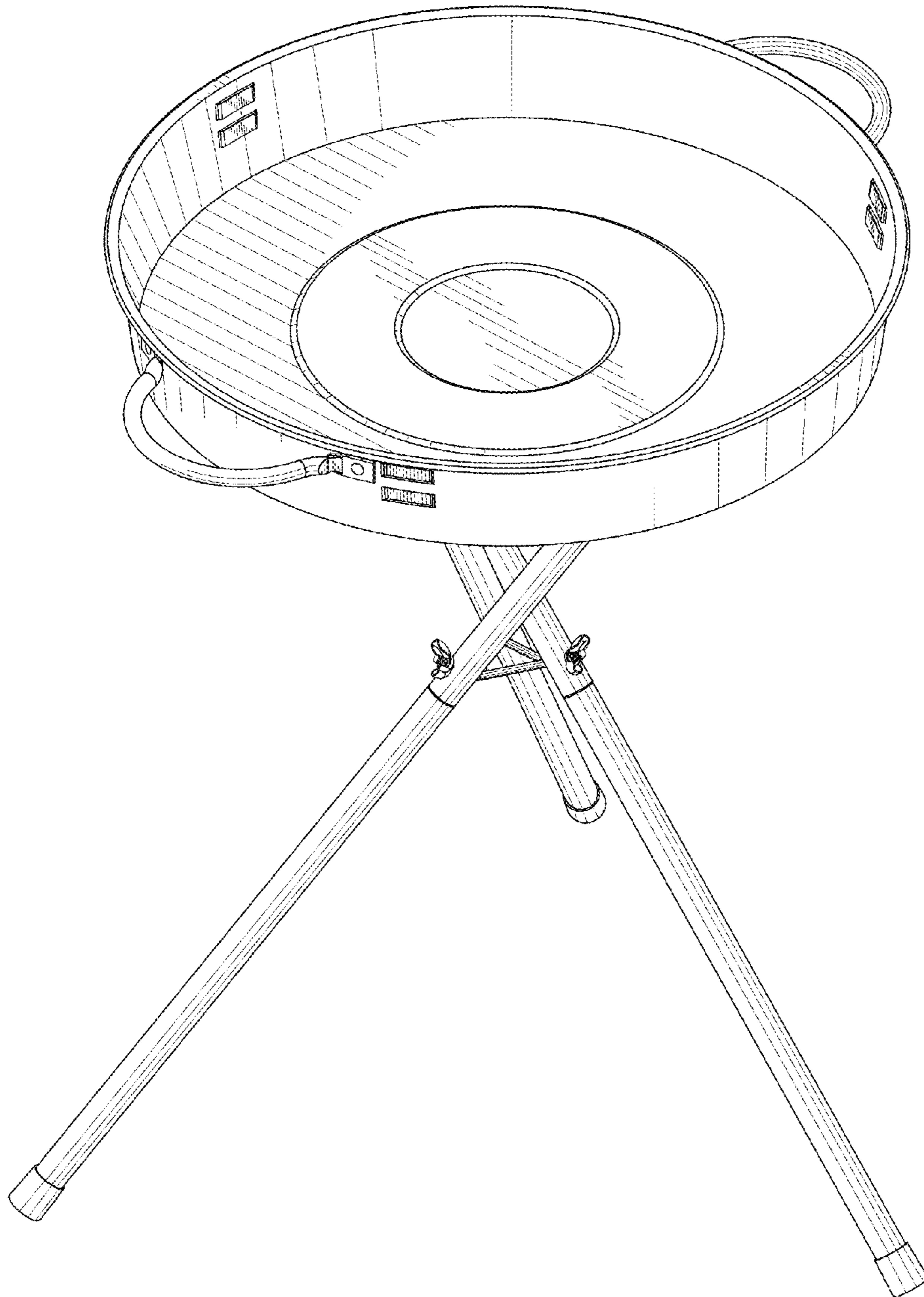


FIG. 1

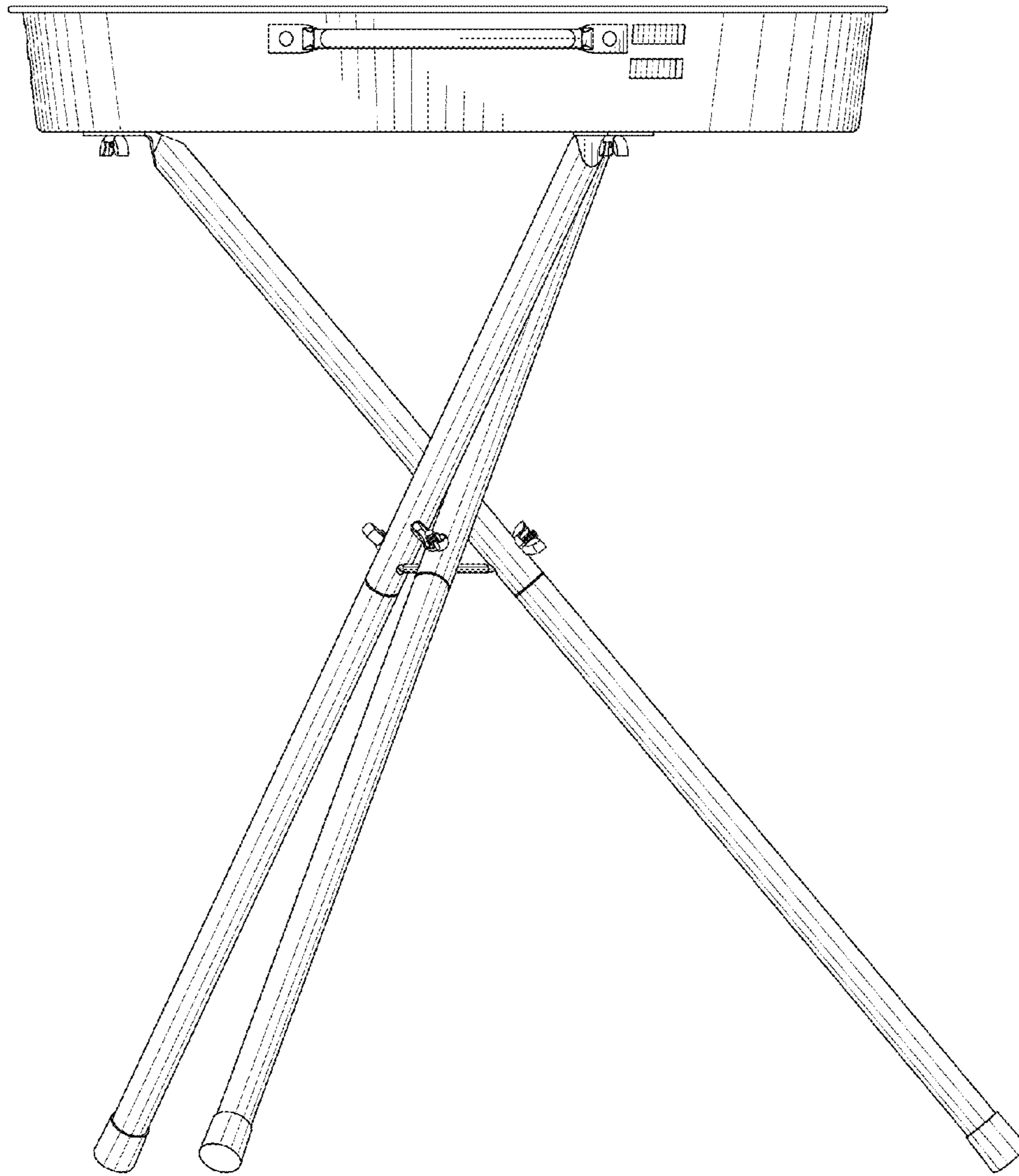


FIG. 2

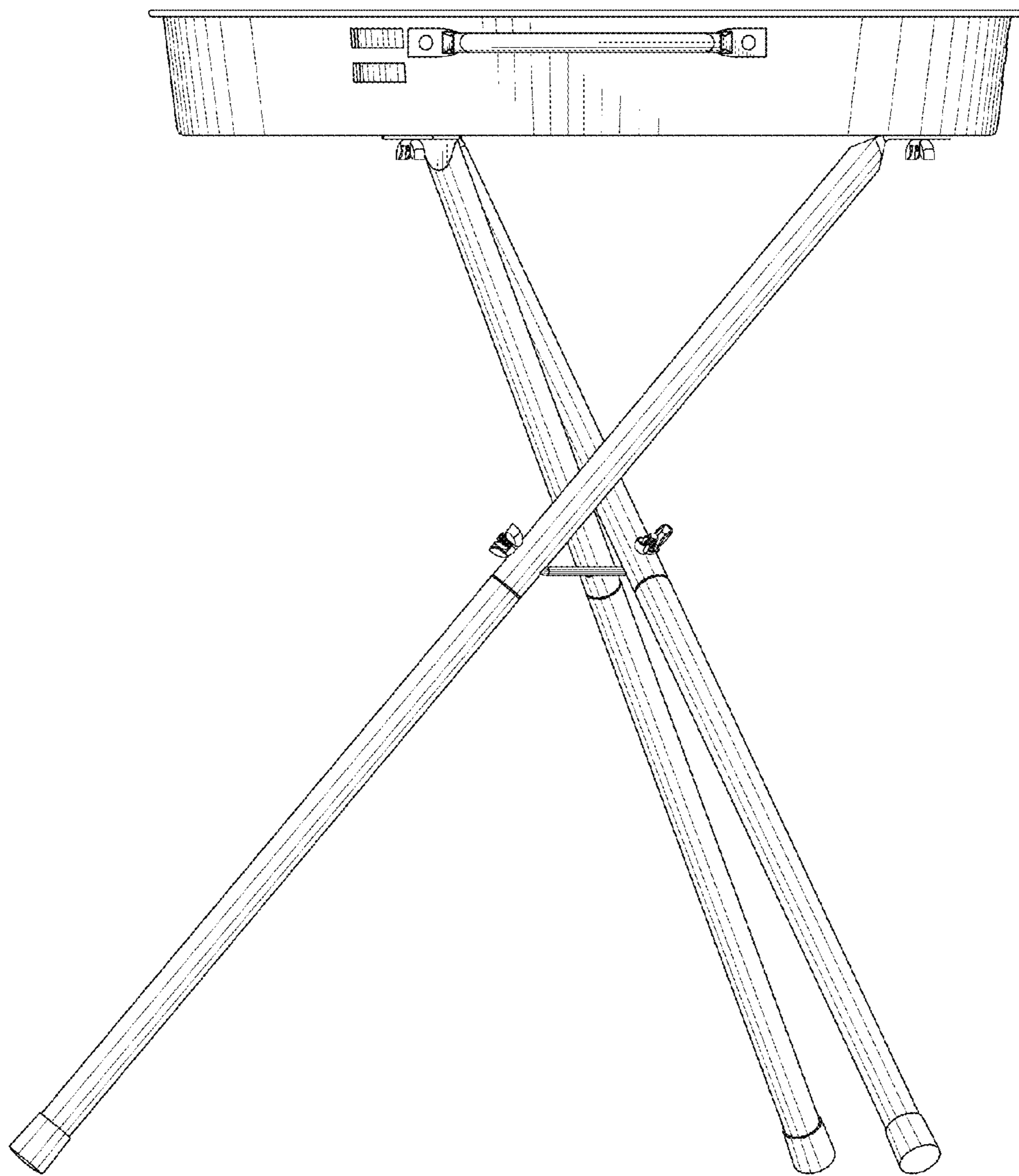


FIG. 3

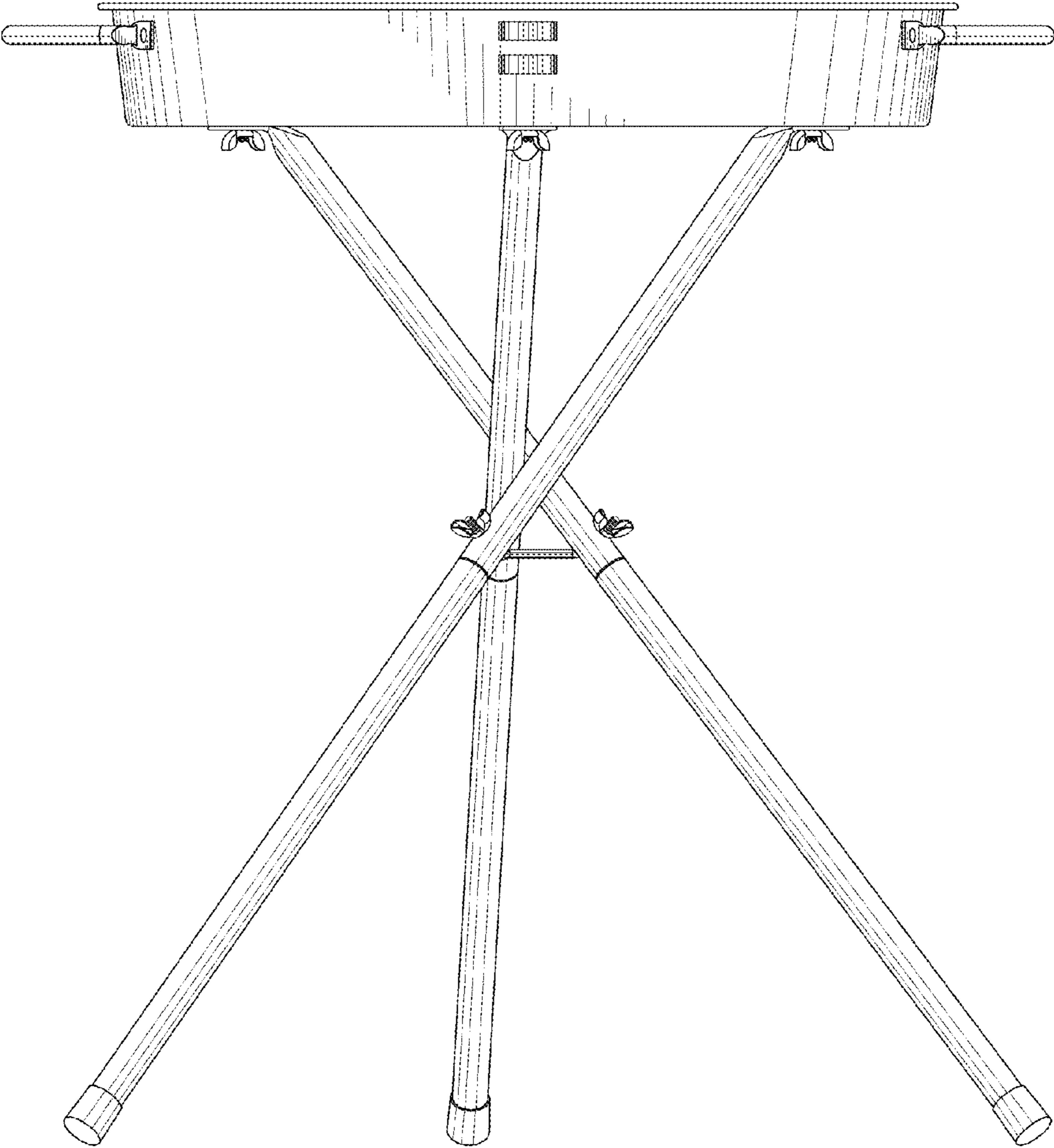


FIG. 4

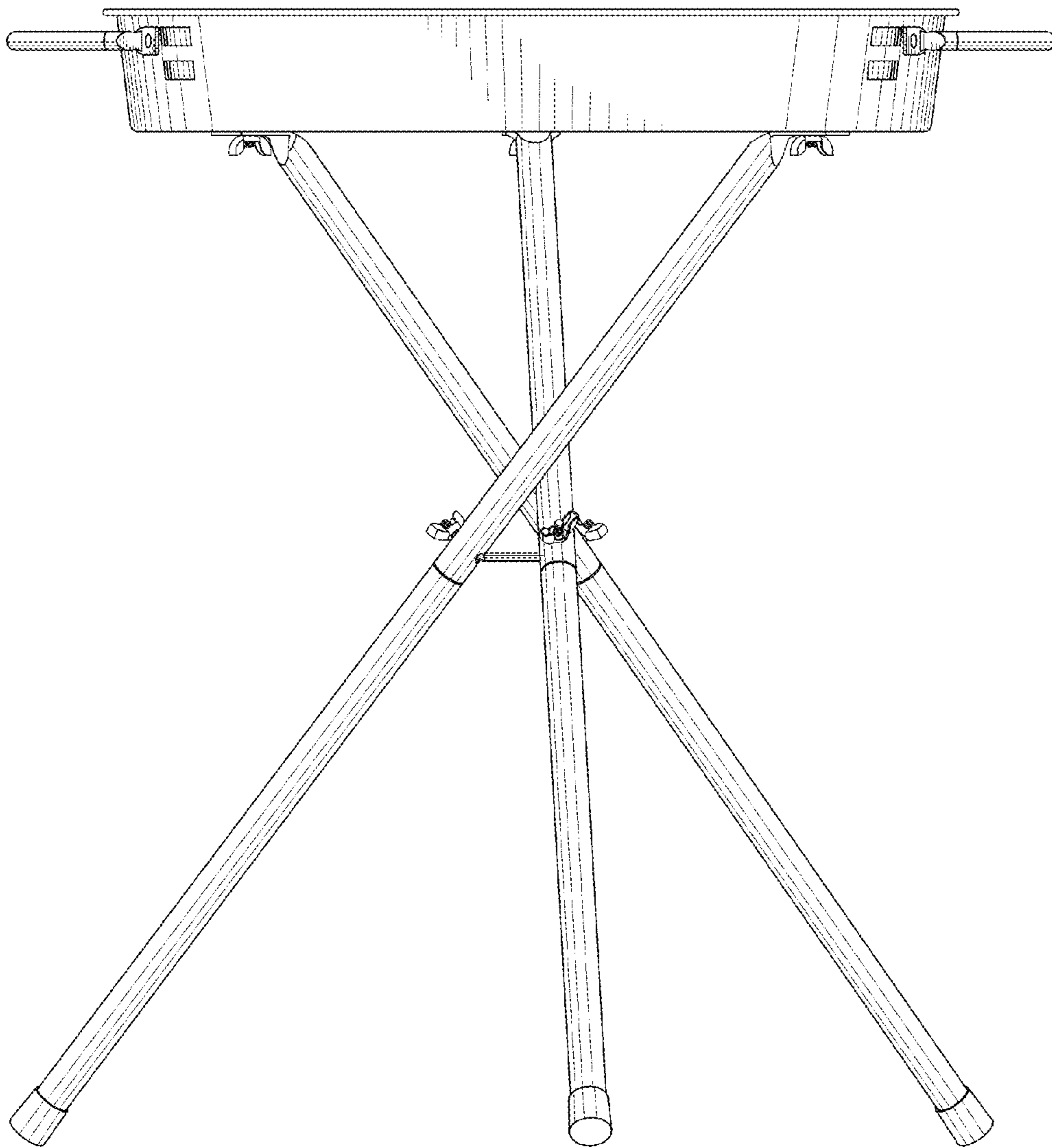


FIG. 5

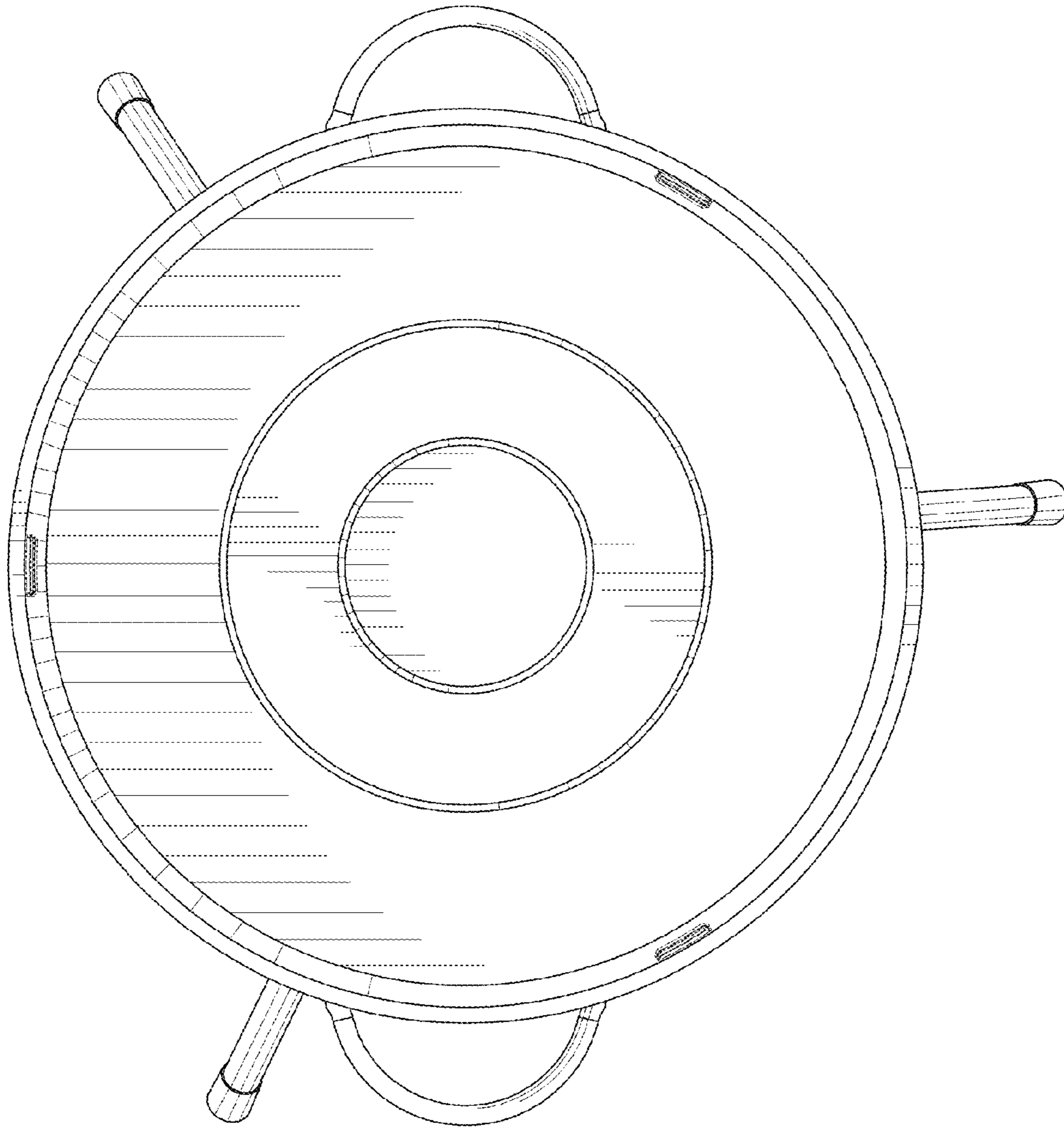


FIG. 6

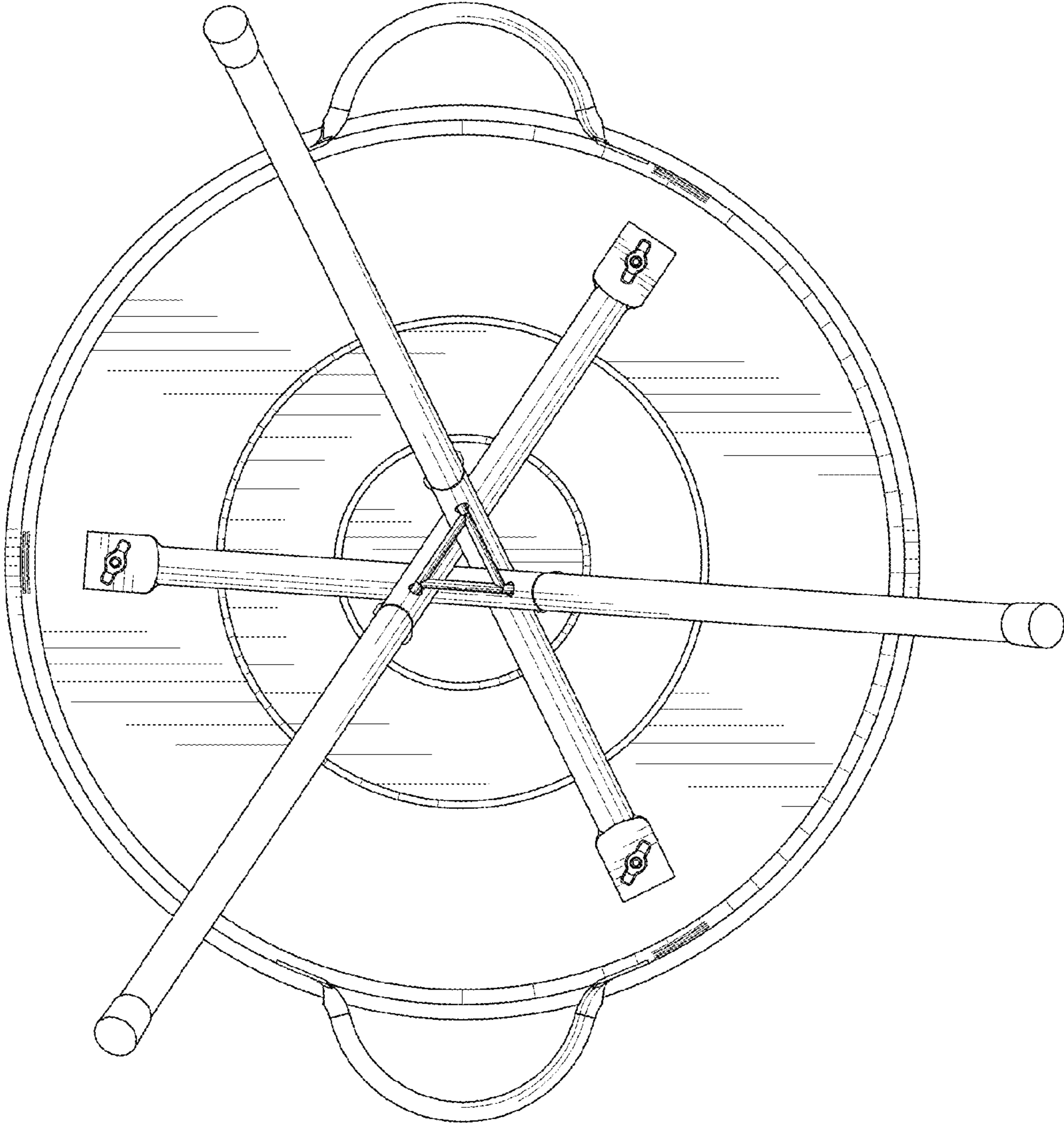


FIG. 7



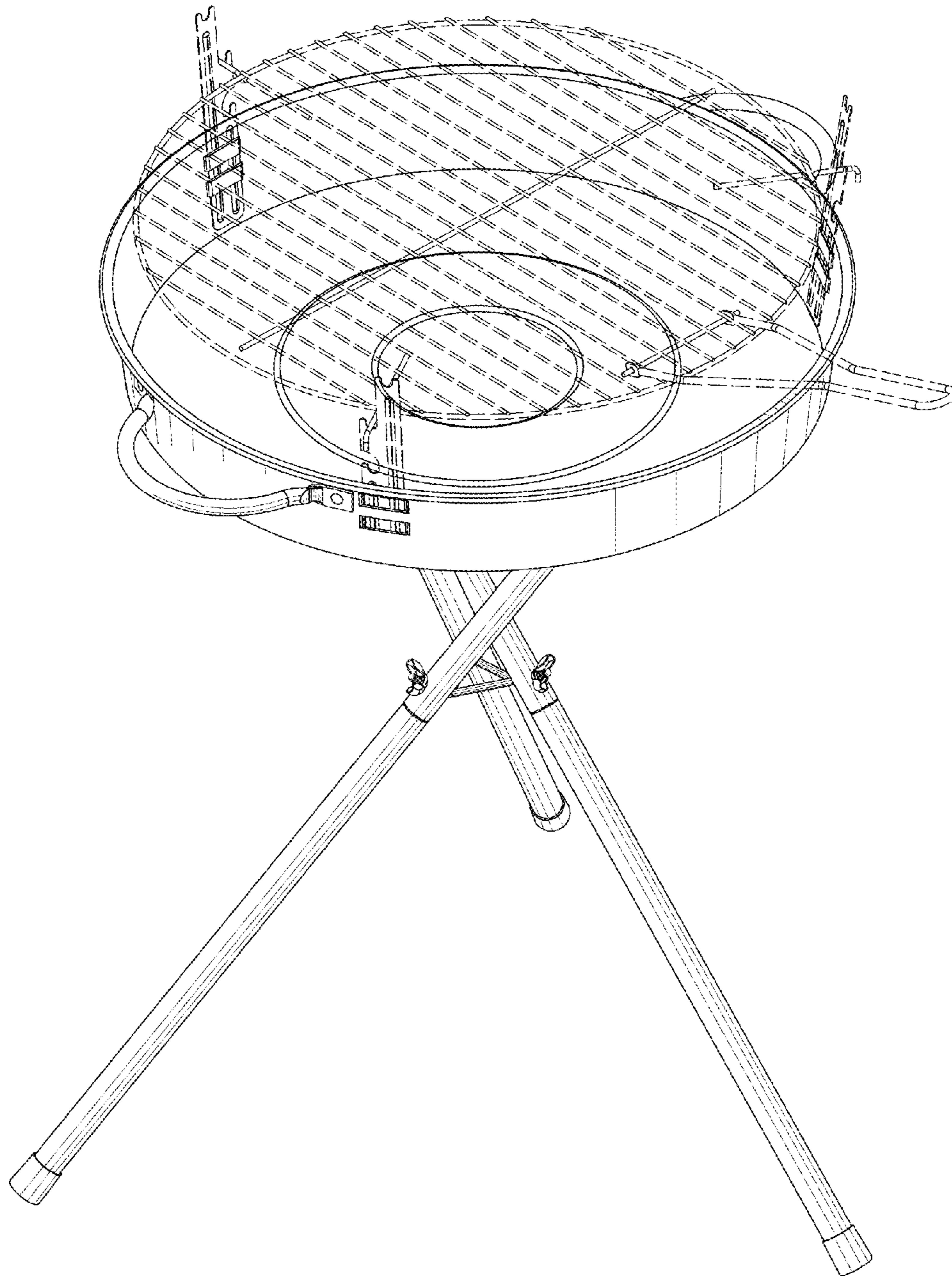


FIG. 8