



US00D679935S

(12) **United States Design Patent**  
**Tse et al.**

(10) **Patent No.:** **US D679,935 S**  
(45) **Date of Patent:** **\*\* Apr. 16, 2013**

(54) **BOTTLE WARMING DEVICE**

(75) Inventors: **Keith Chung Shun Tse**, Yuen Long  
(HK); **Susan Hong Mei Lau**, Shenzhen  
(CN)

(73) Assignee: **Conair Corporation**, Stamford, CT  
(US)

(\*\*) Term: **14 Years**

(21) Appl. No.: **29/430,139**

(22) Filed: **Aug. 22, 2012**

(51) **LOC (9) Cl.** ..... **07-02**

(52) **U.S. Cl.**  
USPC ..... **D7/326**

(58) **Field of Classification Search** ..... D7/301-313,  
D7/316-319, 356-357, 368, 372-386, 391-398,  
D7/412-415, 503, 515, 665, 679, 691-693;  
99/326-327, 348, 441, 492, 508-512; 219/429;  
241/30-37.5, 101.01-101.2, 166-169.1,  
241/172, 272, 285.1-285.3, 291, 292.1; 366/64-67,  
366/98, 129, 142-144, 192-211, 241-254,  
366/262, 279-292, 325.8, 325.92, 341-347;  
392/441; 416/75-77, 70 R, 163  
See application file for complete search history.

5,248,870 A 9/1993 Redal  
6,089,143 A \* 7/2000 Figueroa ..... 99/327  
6,234,165 B1 5/2001 Creighton et al.  
D443,468 S \* 6/2001 Blaise ..... D7/386  
D448,236 S 9/2001 Murray  
6,444,956 B1 \* 9/2002 Witcher et al. .... 219/429  
6,809,302 B1 10/2004 Jones et al.  
6,861,618 B2 3/2005 Binet et al.  
D510,238 S \* 10/2005 Yen ..... D7/665  
7,167,642 B1 \* 1/2007 Wagner ..... 392/441  
D550,506 S \* 9/2007 Spitzer ..... D7/412  
D578,340 S \* 10/2008 Picozza et al. .... D7/378  
7,617,766 B2 \* 11/2009 Tracy et al. .... 99/413  
D616,244 S \* 5/2010 Thai et al. .... D7/378  
D630,467 S \* 1/2011 Harrod ..... D7/376  
D642,858 S \* 8/2011 Lazzer ..... D7/378  
8,045,848 B2 10/2011 Wortley

\* cited by examiner

*Primary Examiner* — Ricky Pham

(74) *Attorney, Agent, or Firm* — McCormick, Paulding & Huber LLP

(57) **CLAIM**

The ornamental design for a bottle warming device, as shown and described.

**DESCRIPTION**

FIG. 1 is a front elevational view of a bottle warming device showing a new design;

FIG. 2 is a right side elevational view thereof;

FIG. 3 is a left side elevational view thereof;

FIG. 4 is a top plan view thereof;

FIG. 5 is a bottom plan view thereof; and,

FIG. 6 is a rear elevational view thereof.

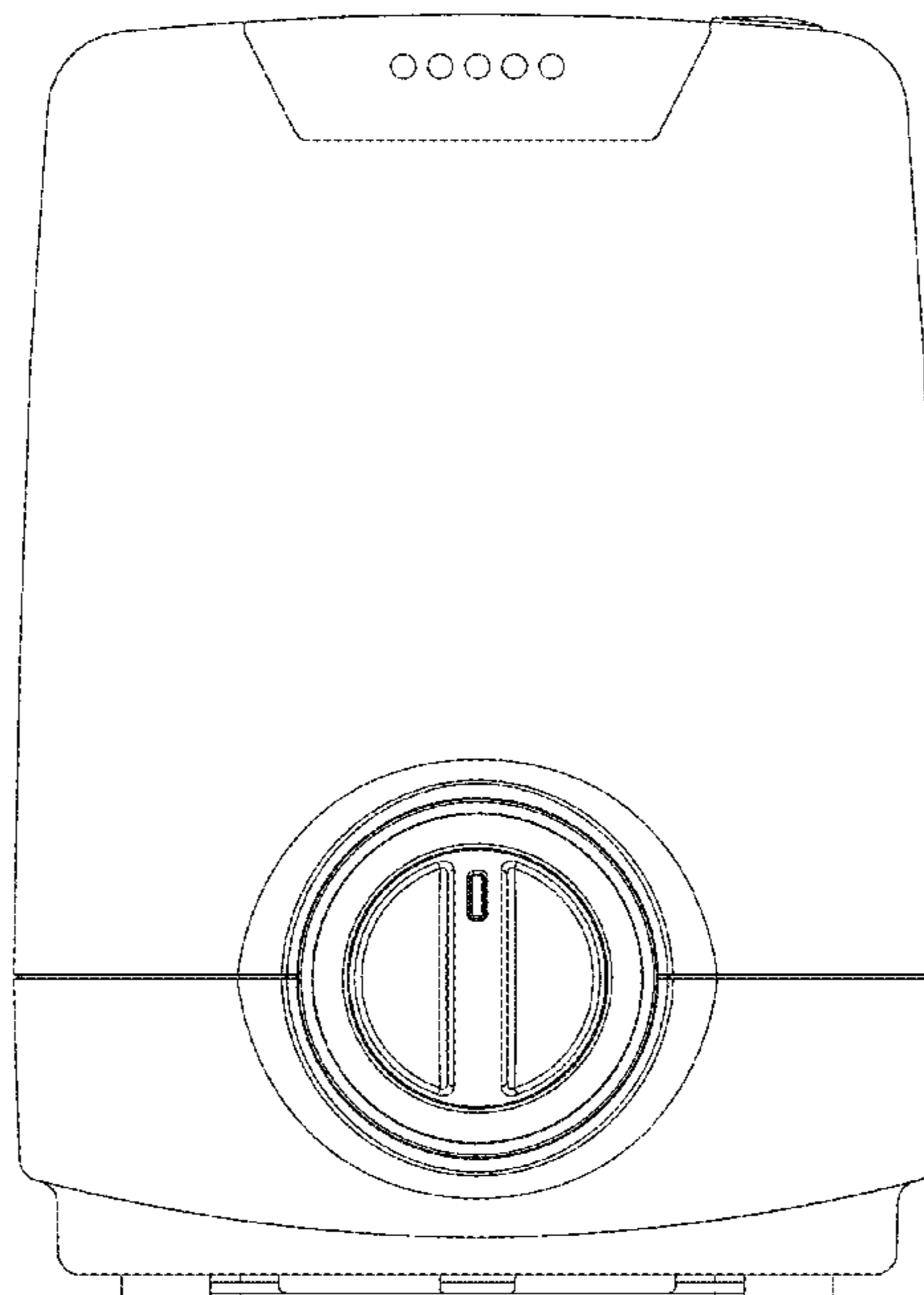
The broken lines are for illustrative purposes only and form no part of the claimed design.

**1 Claim, 6 Drawing Sheets**

(56) **References Cited**

U.S. PATENT DOCUMENTS

1,994,206 A 3/1935 Ziskin et al.  
2,536,596 A 1/1951 Fisher  
2,582,781 A 1/1952 Johnson  
D175,601 S \* 9/1955 Huck ..... D7/386  
2,843,719 A 7/1958 Smith et al.  
2,912,115 A 11/1959 Robertson  
3,892,945 A 7/1975 Lerner  
D260,350 S \* 8/1981 Kahlcke ..... D7/378



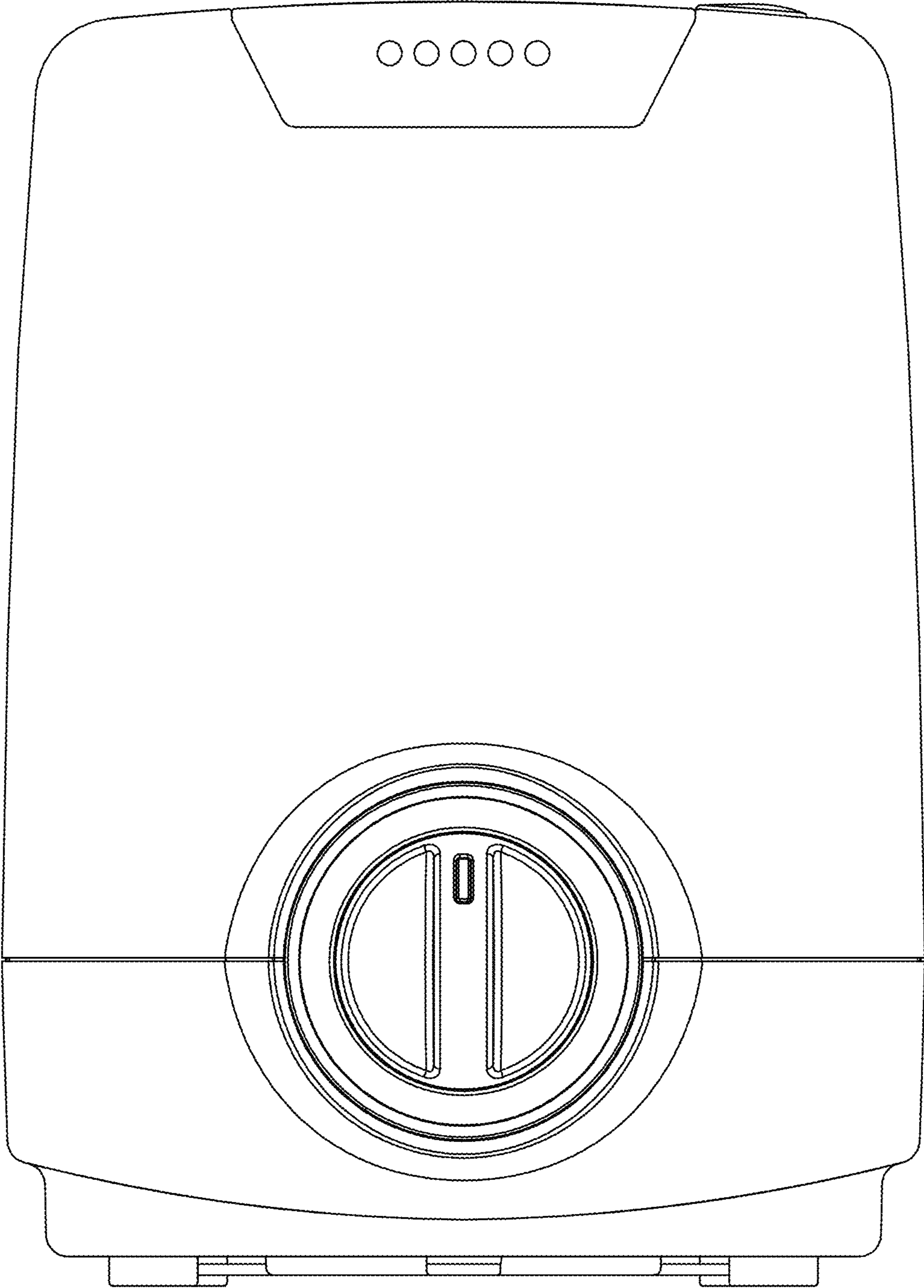


FIG. 1

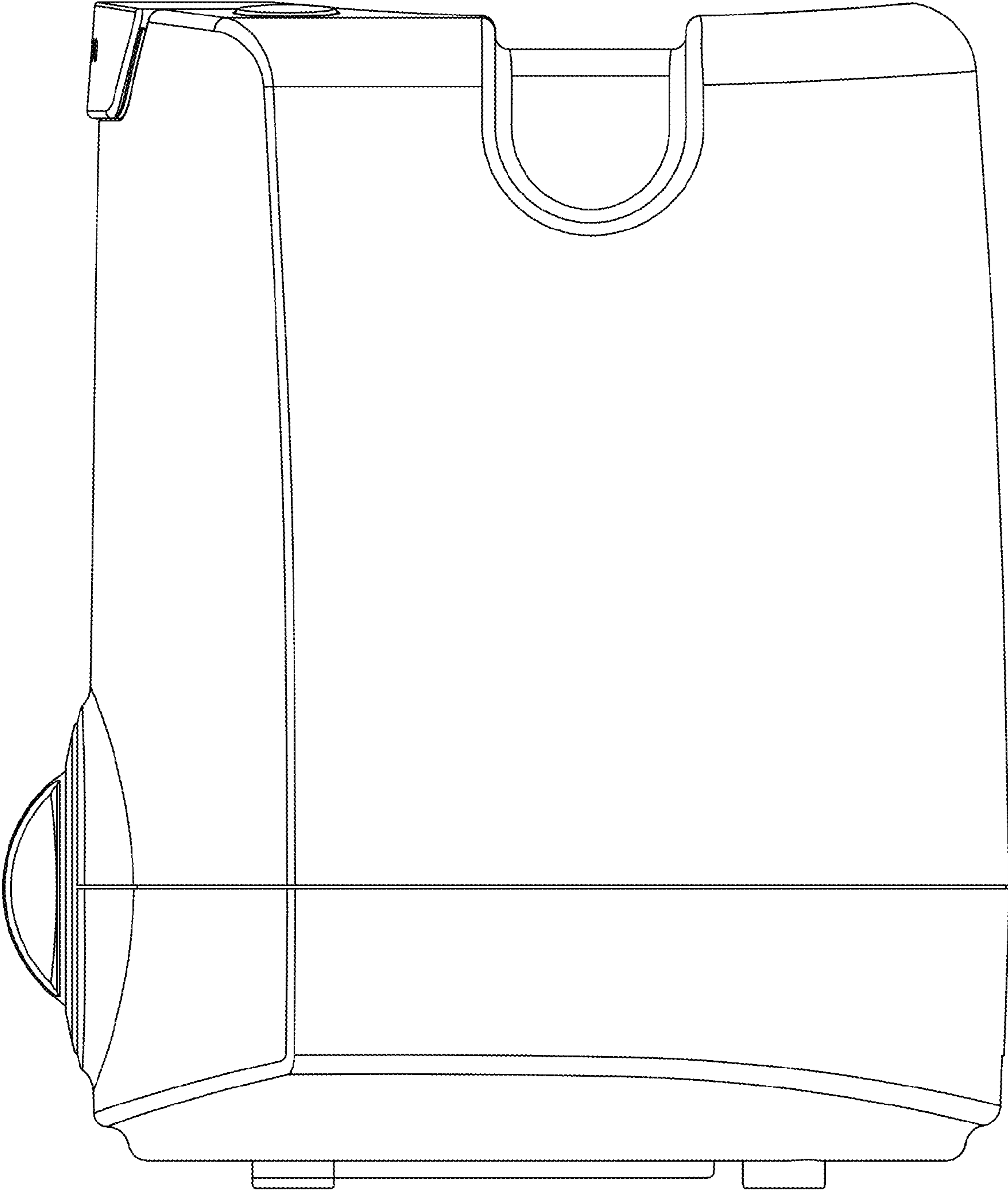


FIG. 2

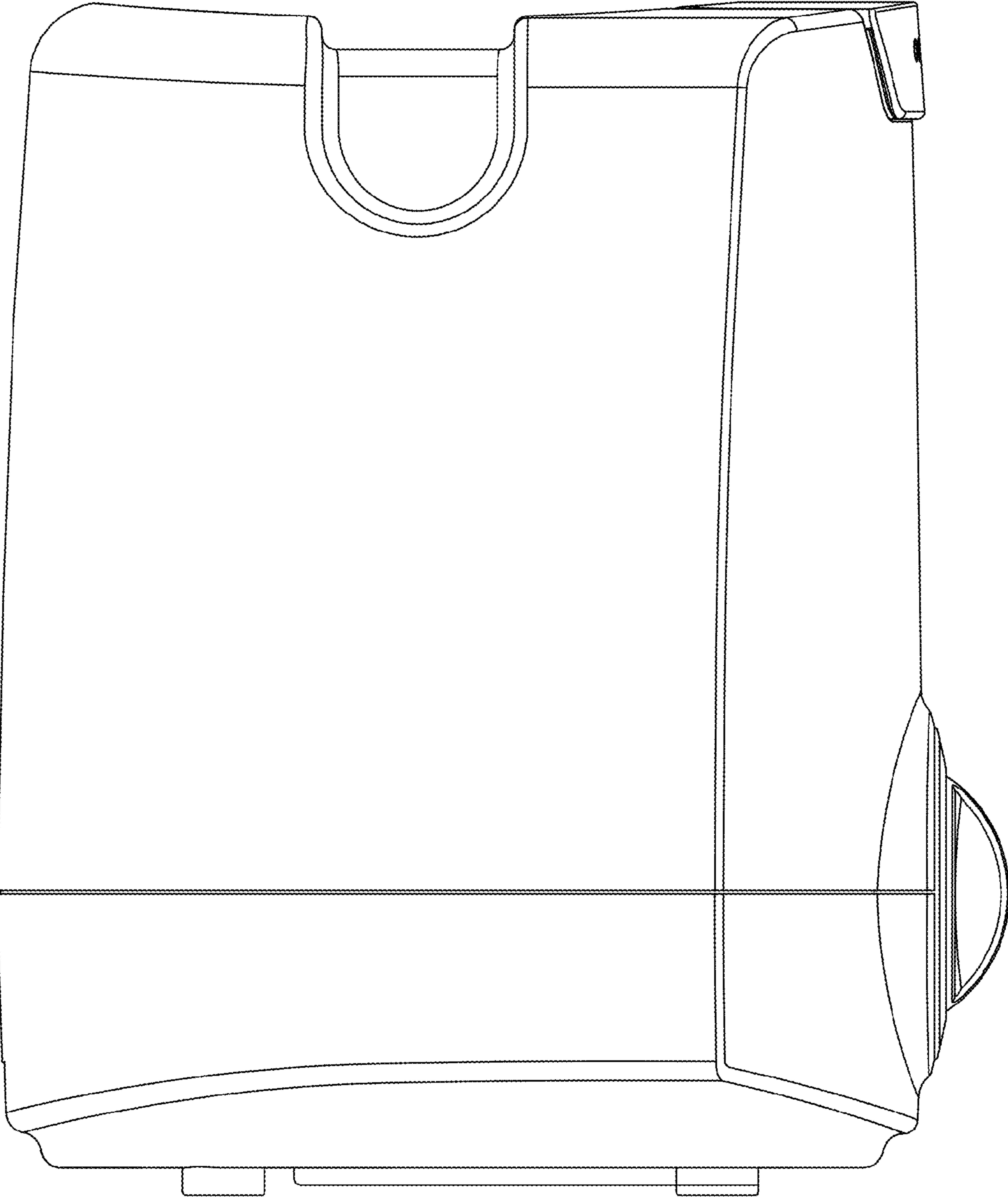


FIG. 3



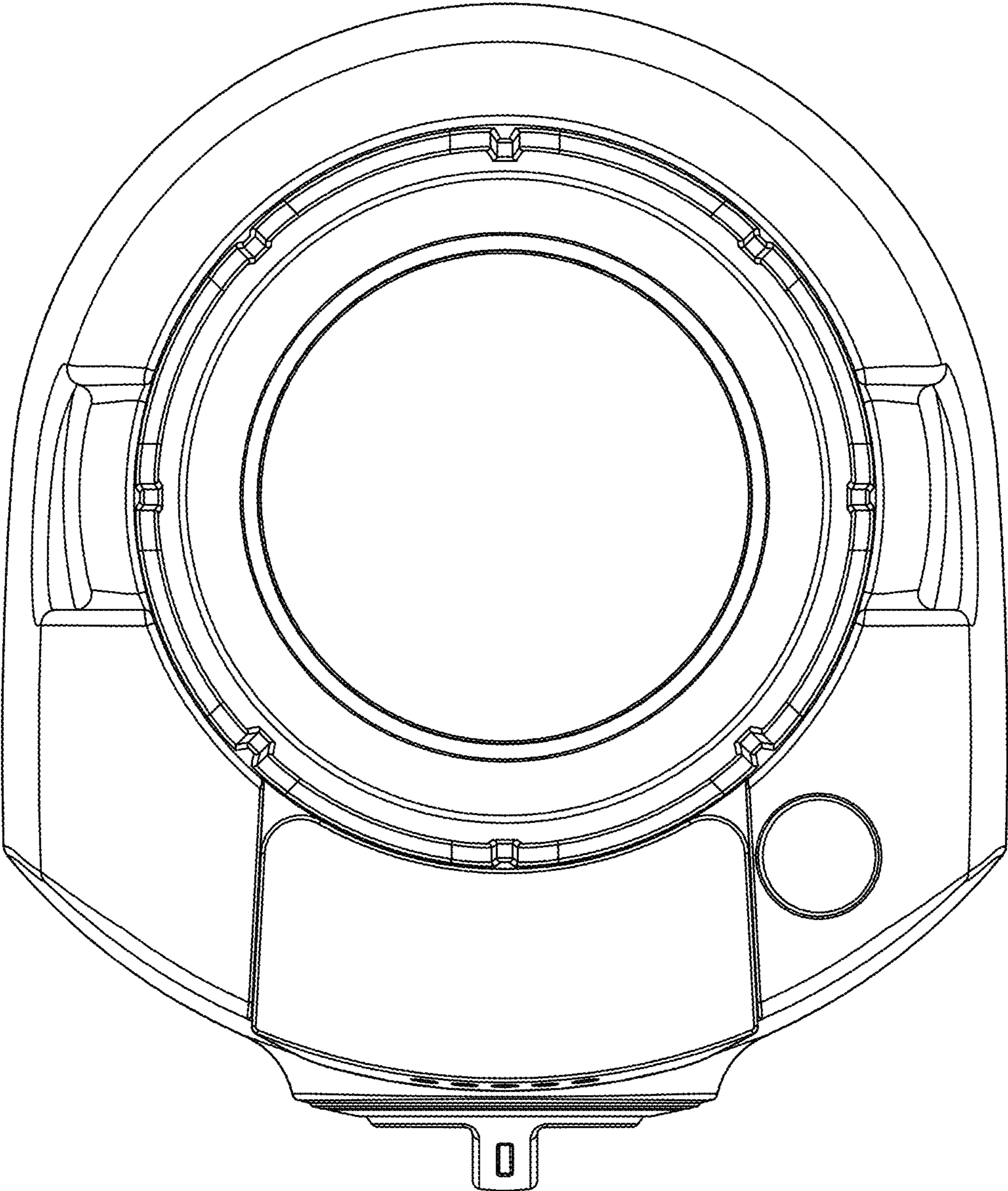


FIG. 4

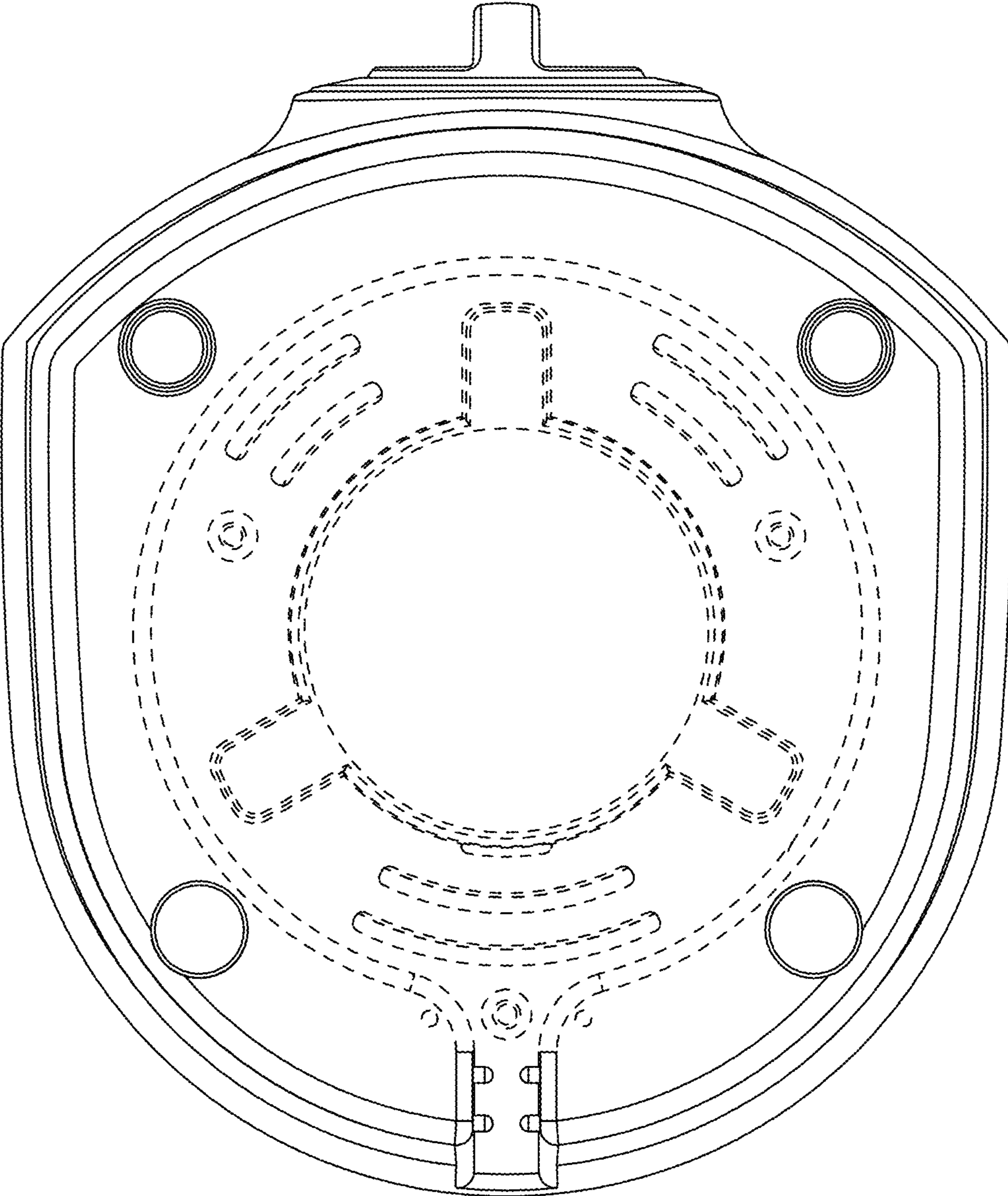


FIG. 5

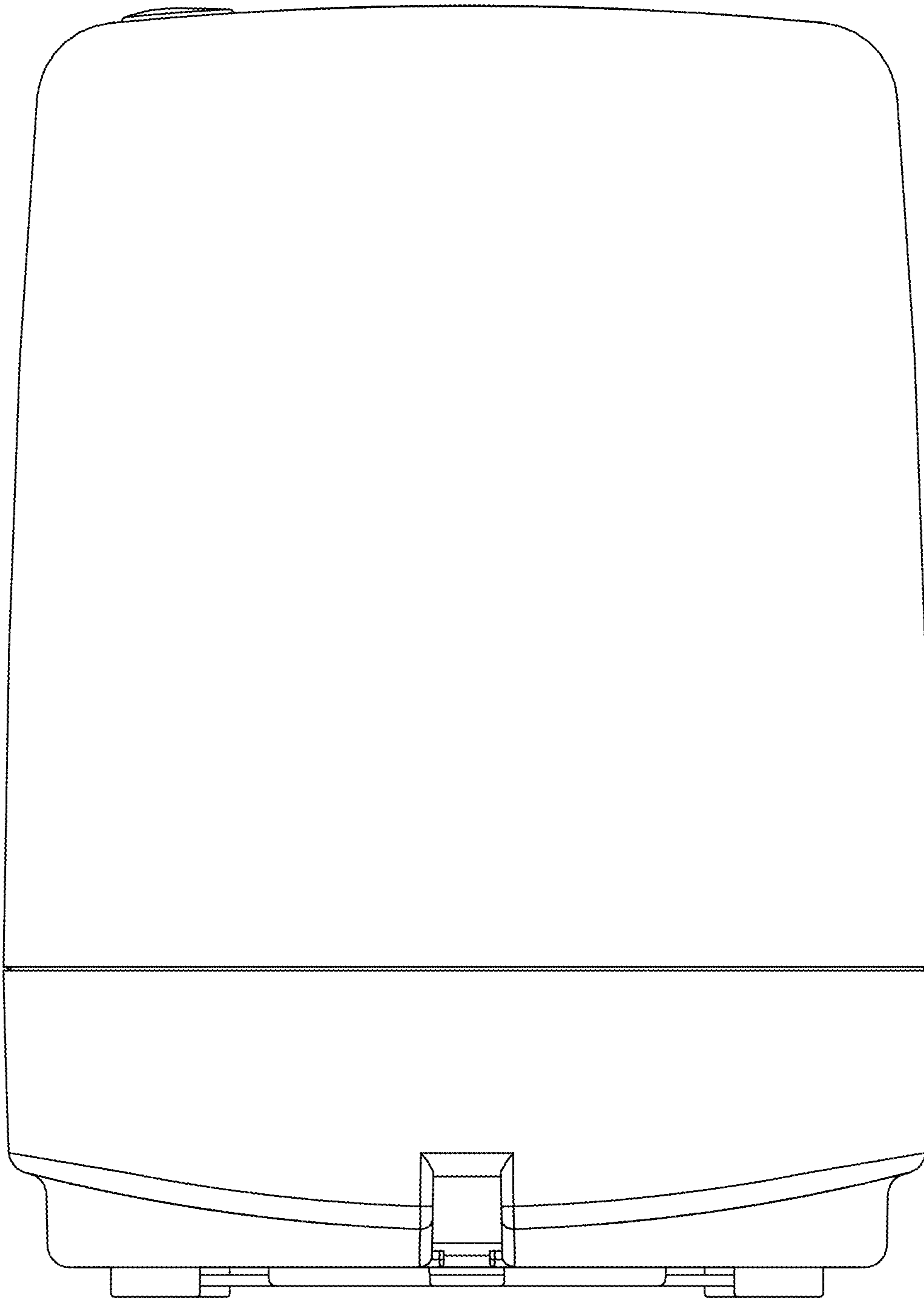


FIG. 6