



US00D679934S

(12) **United States Design Patent**
Majdecki, Jr.

(10) **Patent No.:** **US D679,934 S**
(45) **Date of Patent:** **** Apr. 16, 2013**

(54) **AUTOMATIC BABY FORMULA MIXING MACHINE**

(76) Inventor: **Frank E. Majdecki, Jr.**, Pinconnig, MI (US)

(**) Term: **14 Years**

(21) Appl. No.: **29/418,667**

(22) Filed: **Apr. 19, 2012**

(51) **LOC (9) Cl.** **07-02**

(52) **U.S. Cl.**
USPC **D7/326**

(58) **Field of Classification Search** D7/301-313, D7/316-326, 356-357, 368, 372-386, 391-398, D7/412-415, 503, 515, 665, 679, 691-693; 99/326-327, 348, 441, 492, 508-512; 141/103, 141/247; 219/386, 689; 241/30-37.5, 101.01-101.2, 166-169.1, 241/172, 272, 285.1-285.3, 291, 292.1; 366/64-67, 366/98, 129, 142-144, 192-211, 241-254, 366/262, 279-292, 325.8, 325.92, 341-347; 416/75-77, 70 R, 163

See application file for complete search history.

(56) **References Cited**

U.S. PATENT DOCUMENTS

D269,680 S * 7/1983 Prandelli D7/311
D298,722 S * 11/1988 Nomura D7/305
5,213,776 A 5/1993 Maniero et al.

D339,952 S * 10/1993 Rosen D7/305
D340,832 S * 11/1993 Macchi D7/306
5,315,084 A * 5/1994 Jensen 219/689
D361,689 S * 8/1995 McCloskey D7/309
5,570,816 A 11/1996 LaBarbera, Jr.
5,671,325 A 9/1997 Roberson
5,797,313 A 8/1998 Rothley
6,412,527 B1 * 7/2002 Brice 141/103
D534,028 S * 12/2006 Artis D7/326
D611,753 S * 3/2010 Gammack et al. D7/306
D633,746 S * 3/2011 Lam D7/309
8,167,006 B1 * 5/2012 Mathis et al. 141/247
D669,727 S * 10/2012 Pagano D7/307
2005/0178757 A1 * 8/2005 Starr et al. 219/386

* cited by examiner

Primary Examiner — Ricky Pham

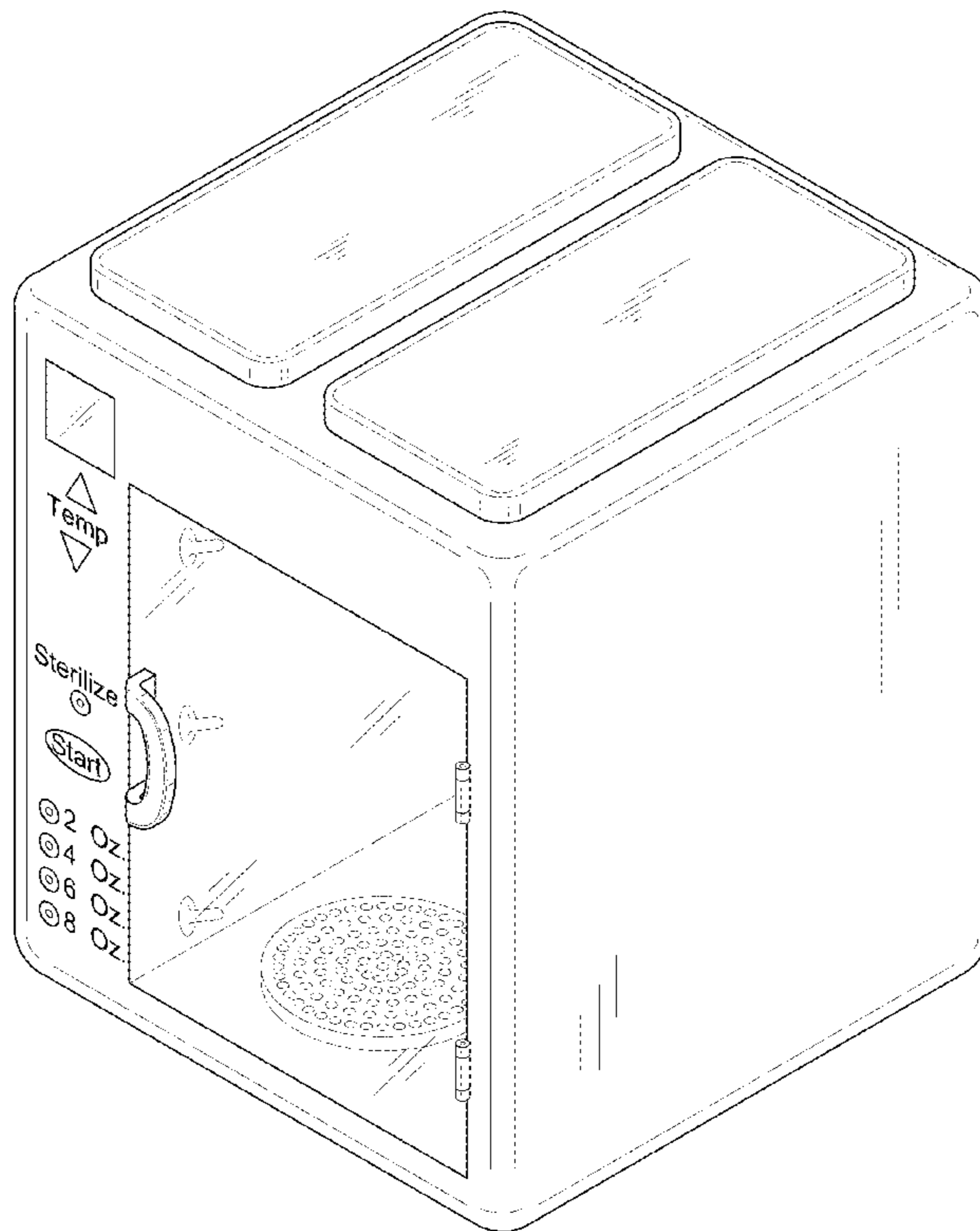
(57) **CLAIM**

The ornamental design for an automatic baby formula mixing machine, as shown and described.

DESCRIPTION

FIG. 1 is a front elevation view of an automatic baby formula mixing machine showing my new design; FIG. 2 is a rear elevation view thereof; FIG. 3 is a right elevation view thereof; FIG. 4 is a left elevation view thereof; FIG. 5 is a top plan view thereof; FIG. 6 is a bottom plan view thereof; and, FIG. 7 is an isometric view thereof.

1 Claim, 4 Drawing Sheets



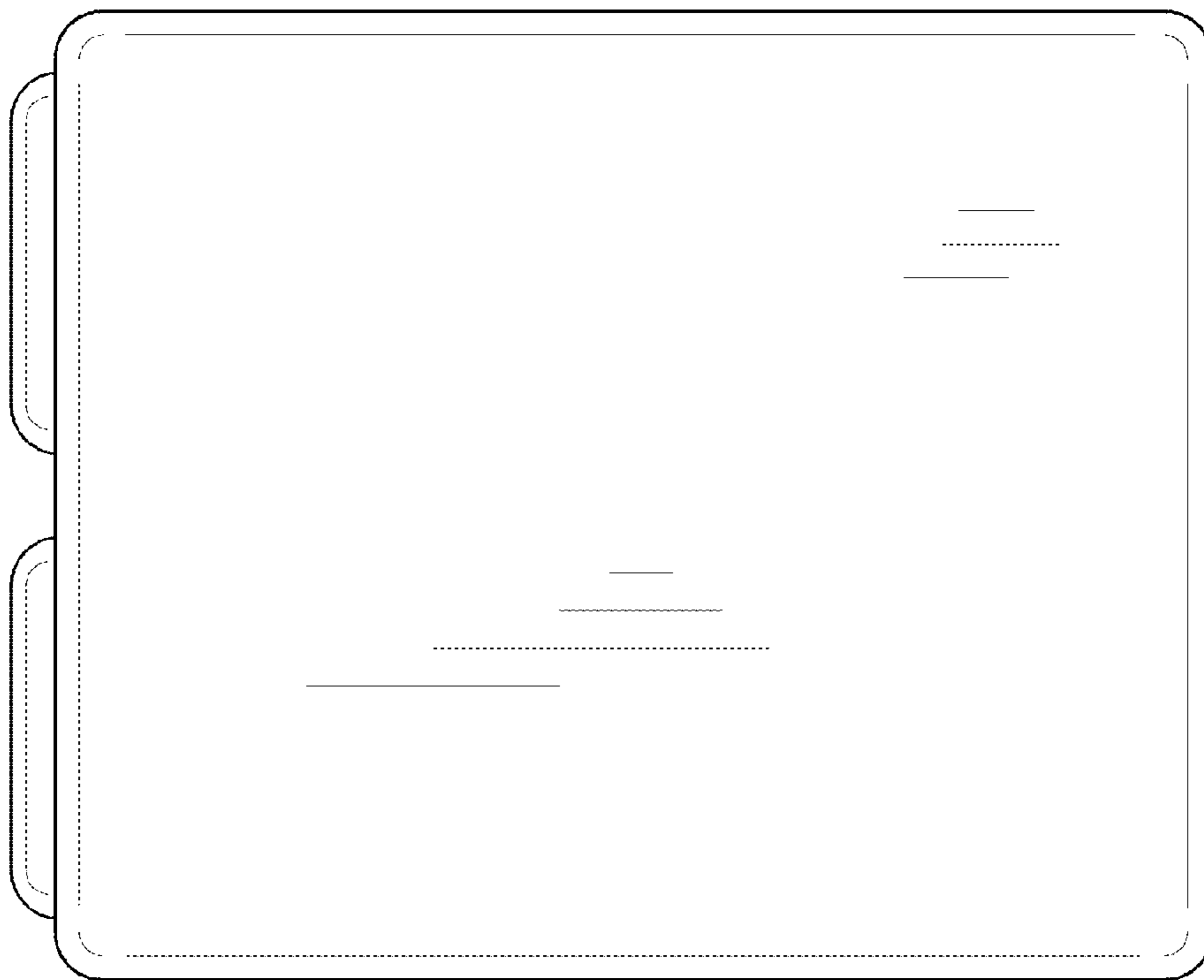


FIG. 1

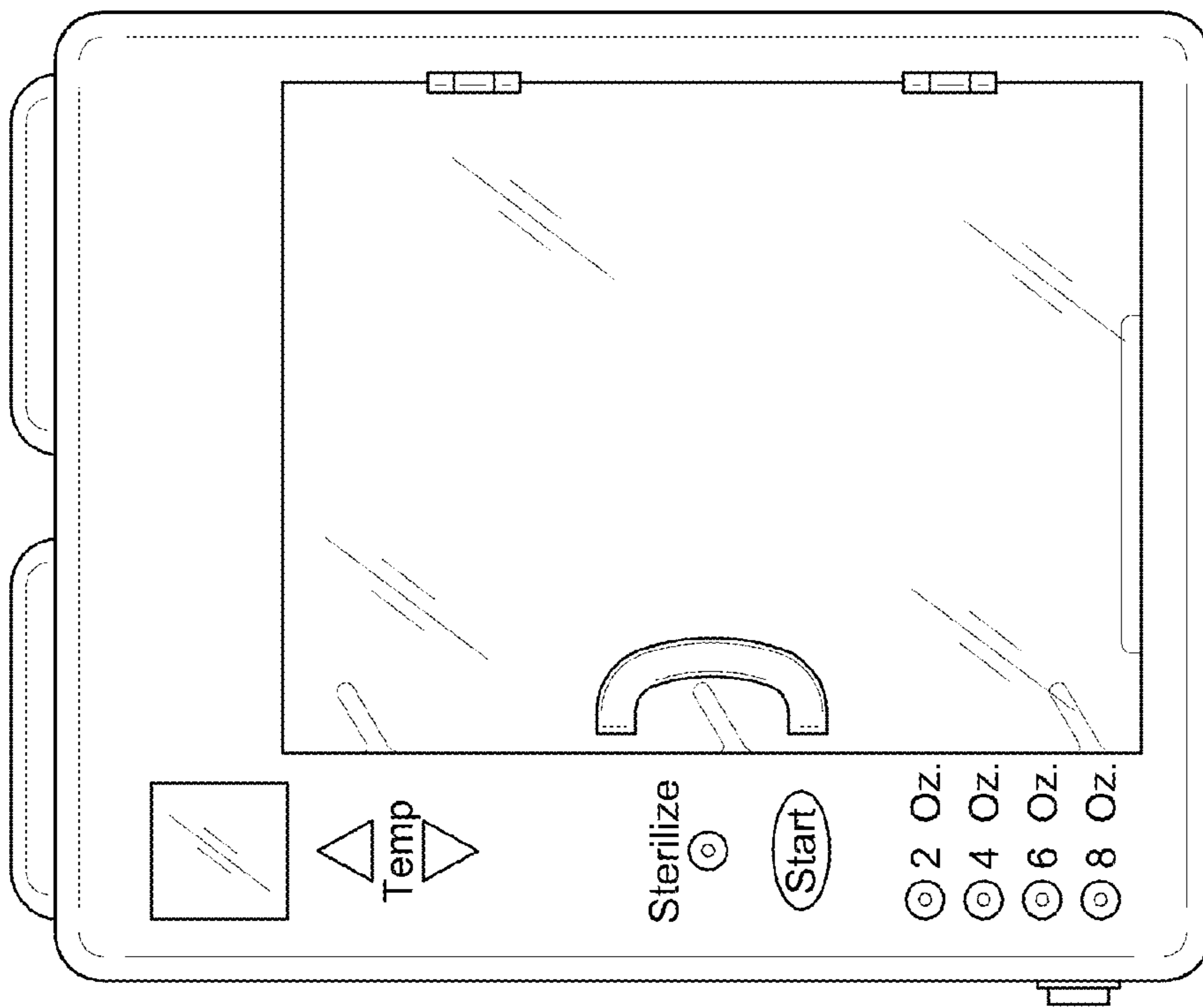


FIG. 2

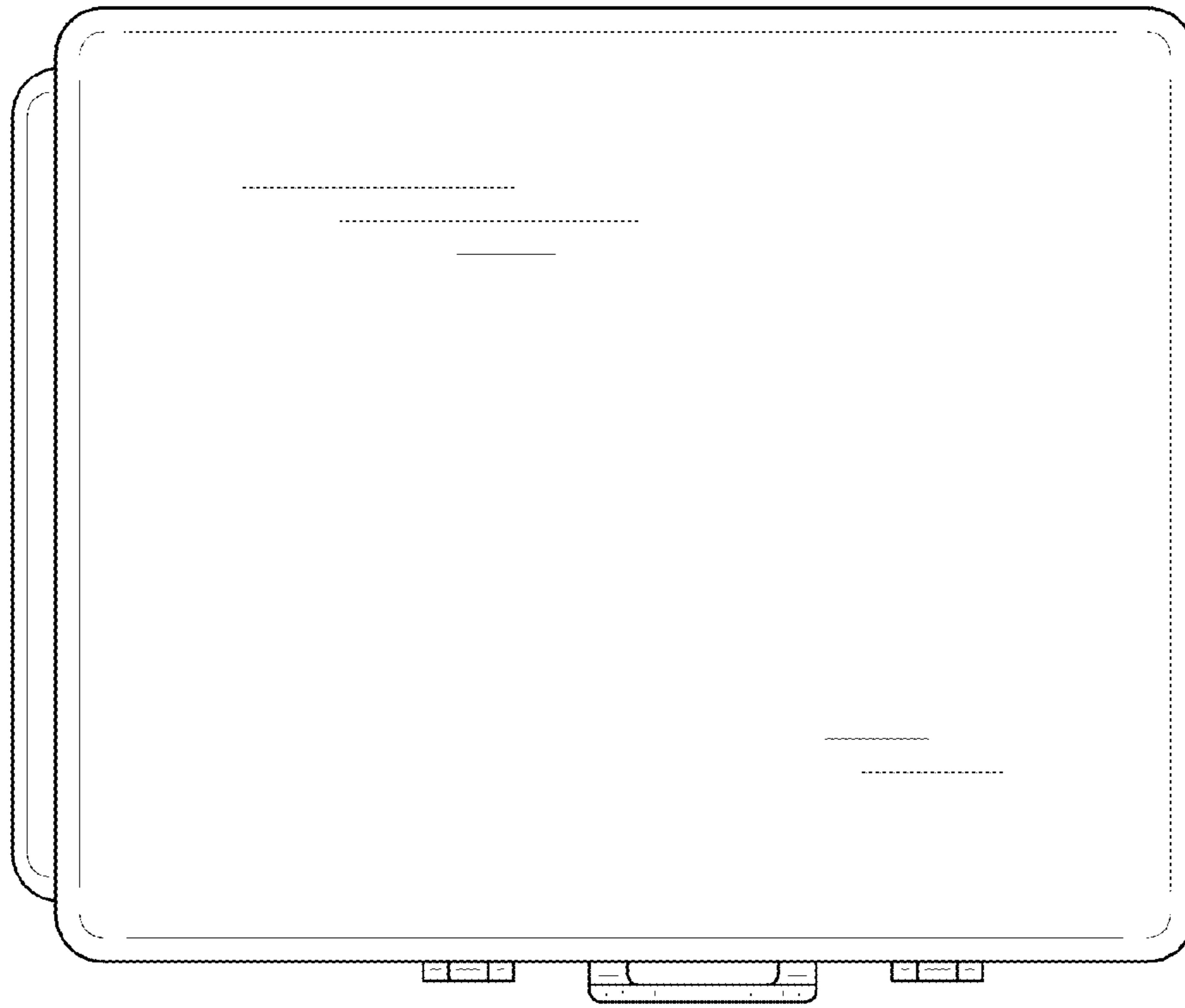


FIG. 4

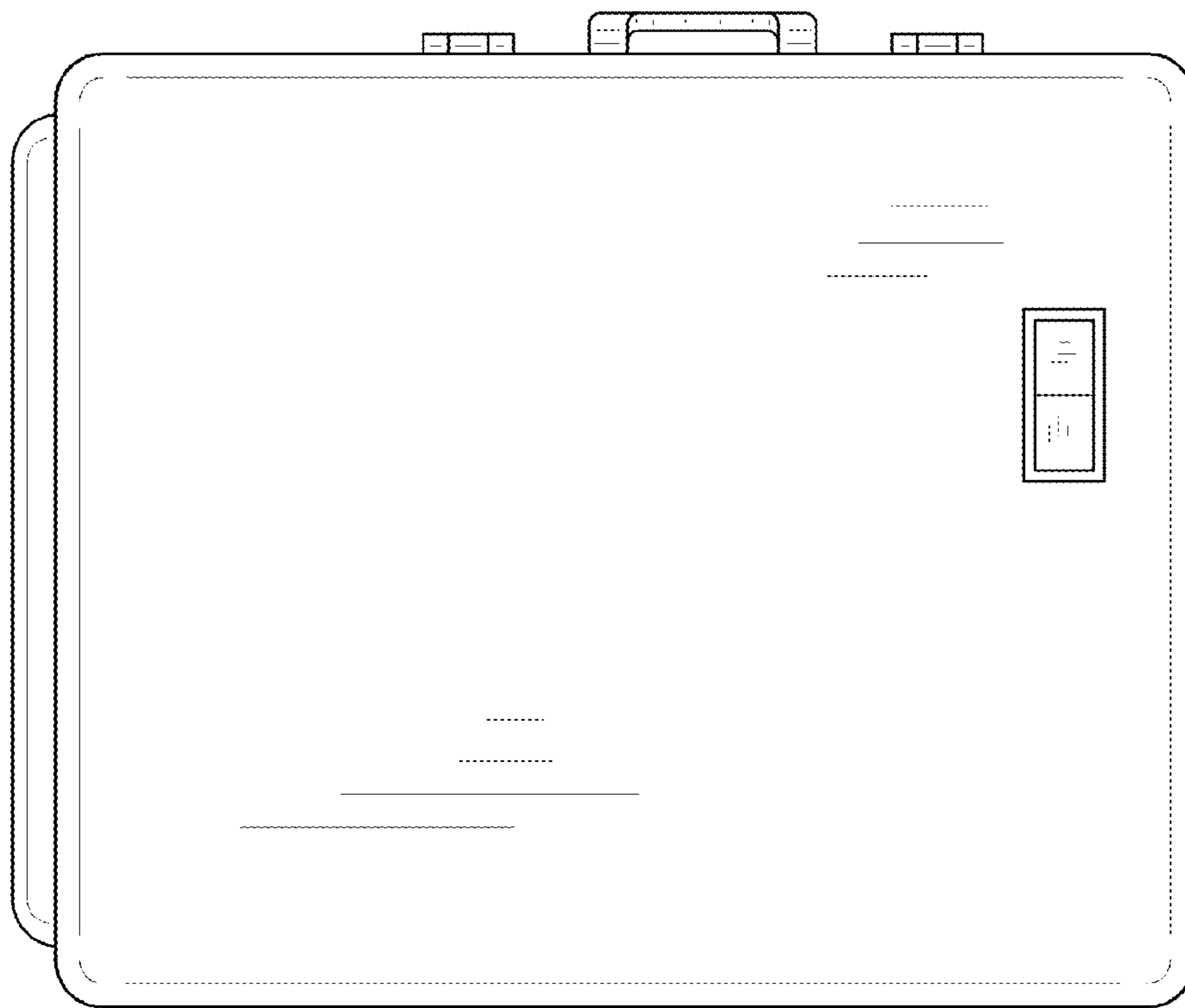


FIG. 3

FIG. 5

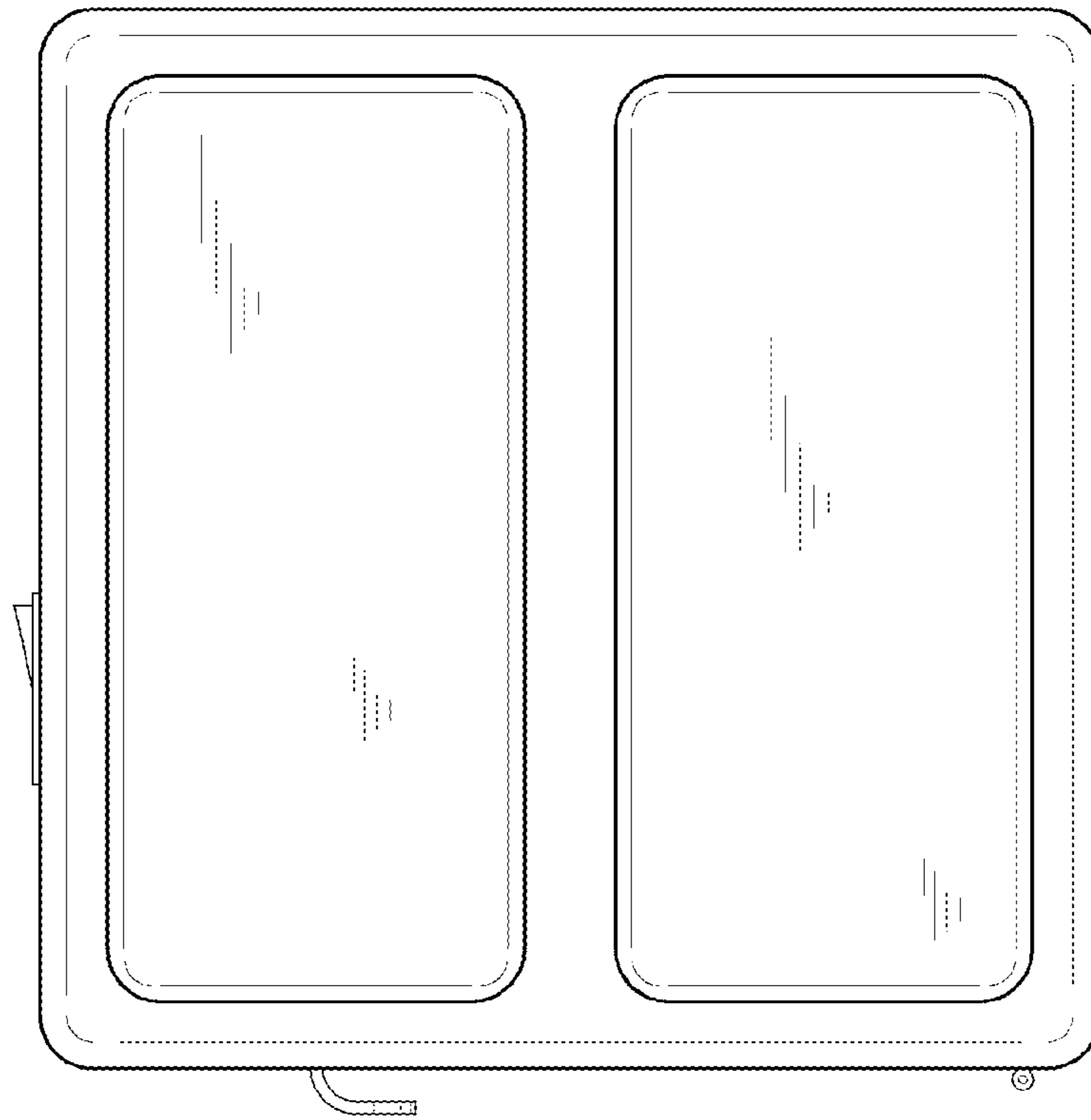
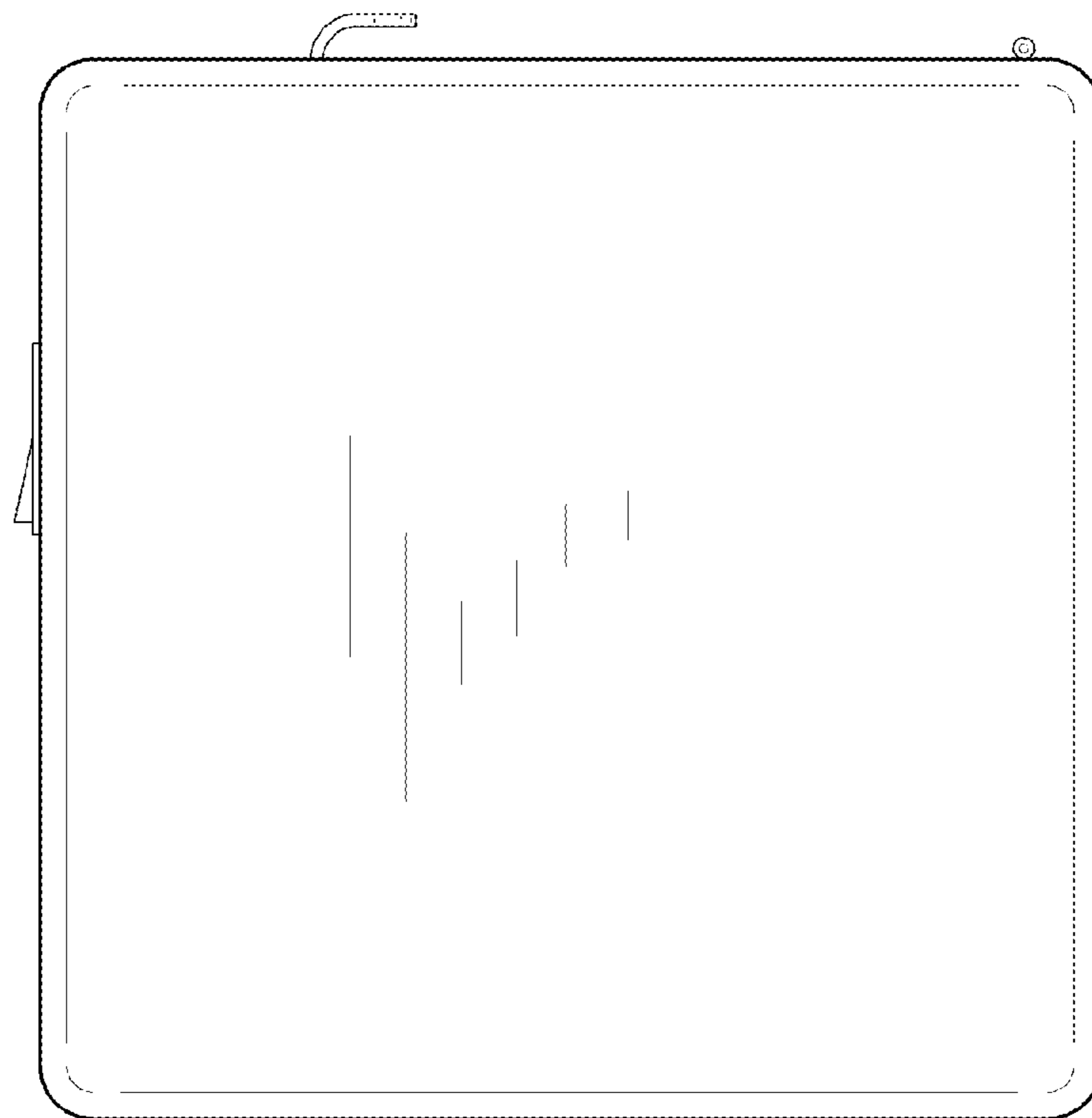


FIG. 6



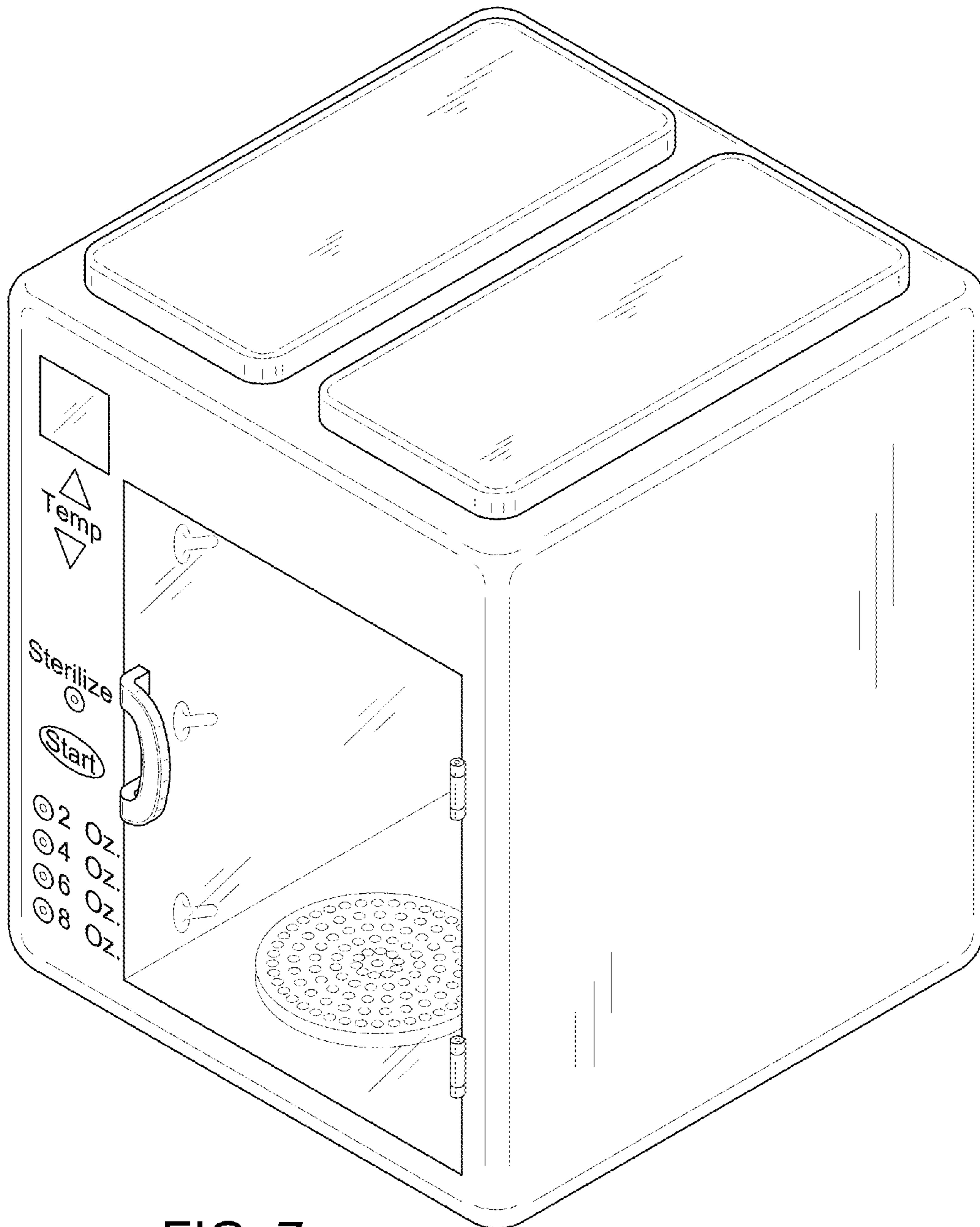


FIG. 7