



US00D679933S

(12) **United States Design Patent**
Bruno et al.

(10) **Patent No.:** **US D679,933 S**
(45) **Date of Patent:** **** Apr. 16, 2013**

(54) **BEVERAGE MAKER**

D478,460 S * 8/2003 Chiu D7/306
6,648,028 B2 11/2003 Hulley et al.
6,742,772 B2 6/2004 Kiefer

(75) Inventors: **Robert H. Bruno**, Avon, CT (US);
Philip J. Nathan, Royal Oak, MI (US);
Matthew L. Phillips, Litchfield, CT
(US)

(Continued)

(73) Assignee: **Primo Products, LLC**, Winston-Salem,
NC (US)

FOREIGN PATENT DOCUMENTS

WO WO 81/01945 A1 7/1981
WO WO 84/01142 A1 3/1984

(Continued)

(**) Term: **14 Years**

Primary Examiner — Marianne Pandozzi

(21) Appl. No.: **29/407,078**

(74) *Attorney, Agent, or Firm* — Alston & Bird LLP

(22) Filed: **Nov. 22, 2011**

(51) **LOC (9) Cl.** **07-01**

(52) **U.S. Cl.**

USPC **D7/306**

(58) **Field of Classification Search** D7/306-311,
D7/300; 222/185.1, 129

See application file for complete search history.

(57) **CLAIM**

I claim the ornamental design for a beverage maker, as shown
and described.

DESCRIPTION

FIG. 1 is a top, front, right perspective view of a beverage
maker, showing my new design;

FIG. 2 is a bottom, front, left perspective view thereof;

FIG. 3 is a front view thereof;

FIG. 4 is a rear view thereof;

FIG. 5 is a right side view thereof, the left side being a mirror
image;

FIG. 6 is a top view thereof;

FIG. 7 is a bottom view thereof;

FIG. 8 is another top, front, right perspective view of the
beverage maker, shown without an attached bottle;

FIG. 9 is a bottom, front, left perspective view thereof;

FIG. 10 is a front view thereof;

FIG. 11 is a rear view thereof;

FIG. 12 is a right side view thereof;

FIG. 13 is a left side view thereof;

FIG. 14 is a top view thereof; and,

FIG. 15 is a bottom view thereof.

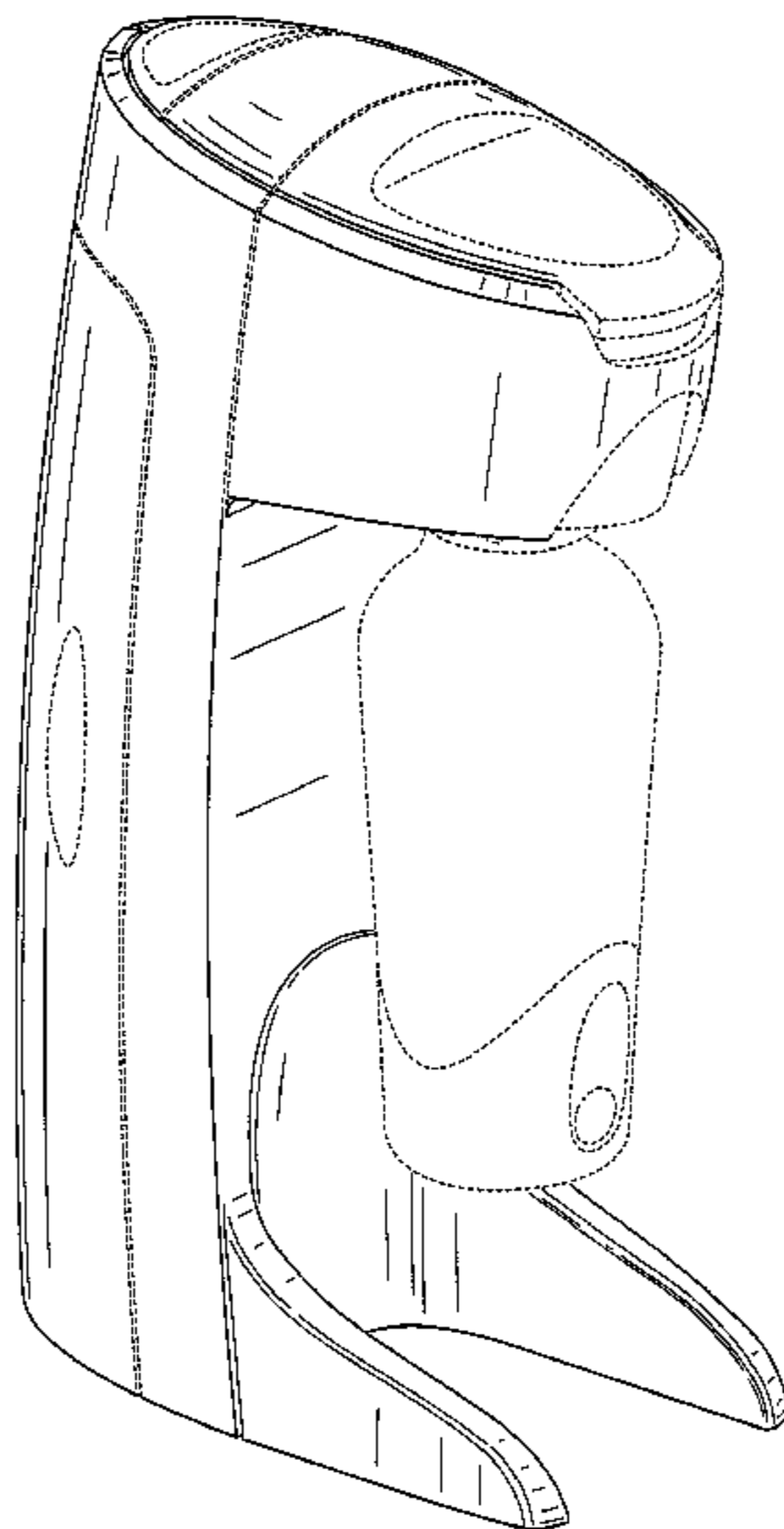
The broken lines are directed to environment and are for
illustrative purposes only. The broken lines form no part of the
claimed design.

(56) **References Cited**

U.S. PATENT DOCUMENTS

1,577,235	A	3/1926	Hucks
1,587,319	A	6/1926	Hucks
1,587,320	A	6/1926	Hucks
1,623,011	A	3/1927	Hucks
1,975,722	A	10/1934	Hucks
3,953,550	A	4/1976	Gilbey
4,251,473	A	2/1981	Gilbey
4,399,081	A	8/1983	Mabb
D276,021	S	10/1984	Mabb
4,514,994	A	5/1985	Mabb
4,518,541	A	5/1985	Harris
4,599,886	A	7/1986	Brown
4,610,282	A	9/1986	Brooks et al.
D290,439	S	6/1987	Weaver
5,209,378	A	5/1993	Wiseburgh et al.
D400,391	S	11/1998	Hulley
6,319,414	B1	11/2001	Wiseburgh et al.
6,527,146	B1	3/2003	Tanny et al.

1 Claim, 15 Drawing Sheets



US D679,933 S

Page 2

U.S. PATENT DOCUMENTS

6,747,938 B2 6/2004 Kim
D515,347 S * 2/2006 Reuss et al. D7/309
D518,328 S * 4/2006 Picozza et al. D7/309
7,040,512 B2 5/2006 Tanny et al.
7,264,024 B2 9/2007 Funt et al.
D558,506 S * 1/2008 Garman D7/309
D610,388 S 2/2010 Hazan et al.
D610,857 S 3/2010 Pateman et al.
D660,072 S * 5/2012 Makhanlall et al. D7/309
D662,756 S * 7/2012 Steiner et al. D7/309
D672,187 S * 12/2012 Milewski et al. D7/306
2002/0134732 A1 9/2002 Wiseburgh et al.

2003/0019802 A1 1/2003 Roff et al.
2003/0159977 A1 8/2003 Tanny et al.
2007/0257380 A1 11/2007 Thomson et al.

FOREIGN PATENT DOCUMENTS

WO WO 00/79159 A1 12/2000
WO WO 01/41907 A2 6/2001
WO WO 2004/010046 A1 1/2004
WO WO 2006/034930 A1 4/2006
WO WO 2009/072112 A2 6/2009
WO WO 2010/140118 A2 12/2010
WO WO 2011/015902 A1 2/2011

* cited by examiner

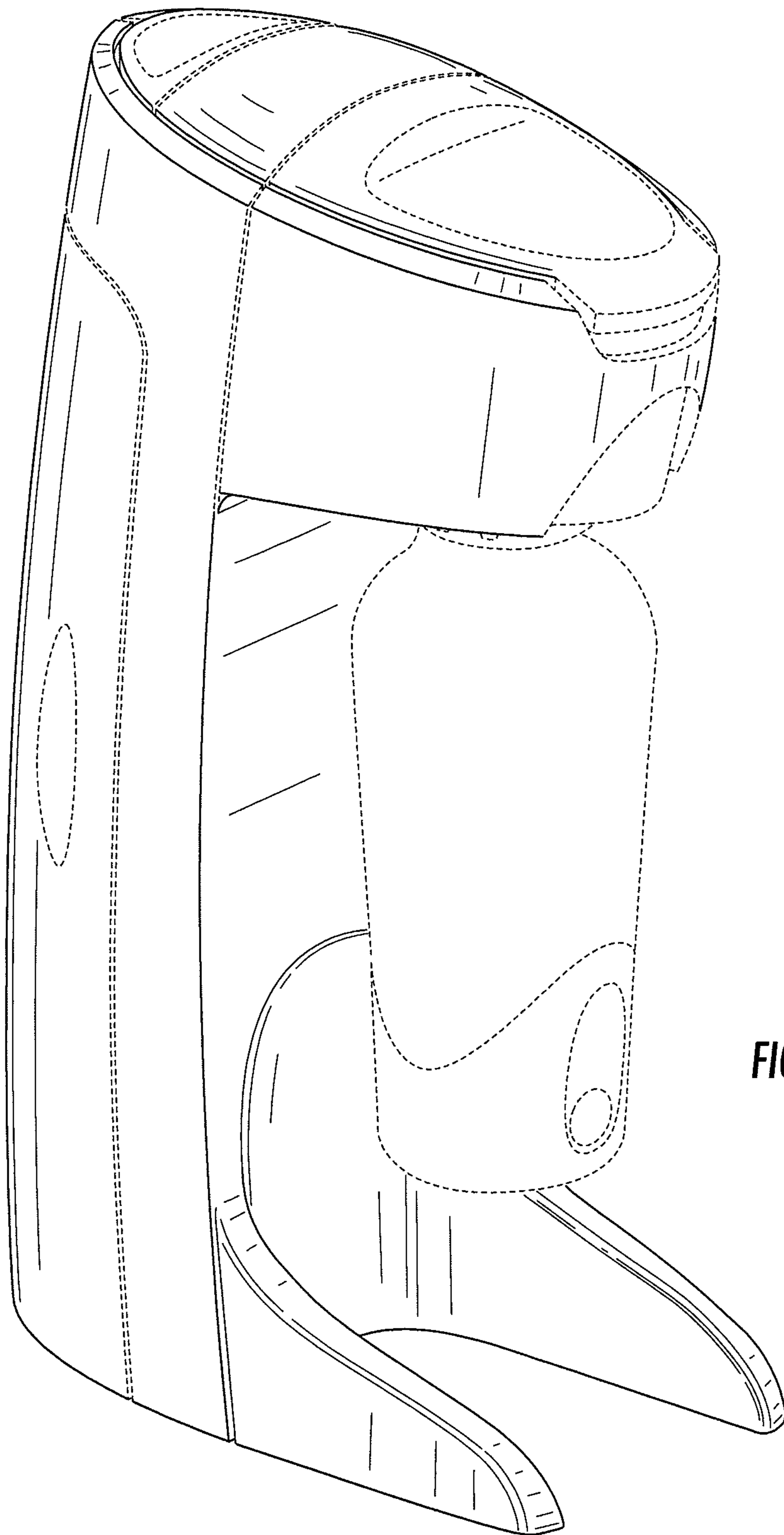


FIG. 1

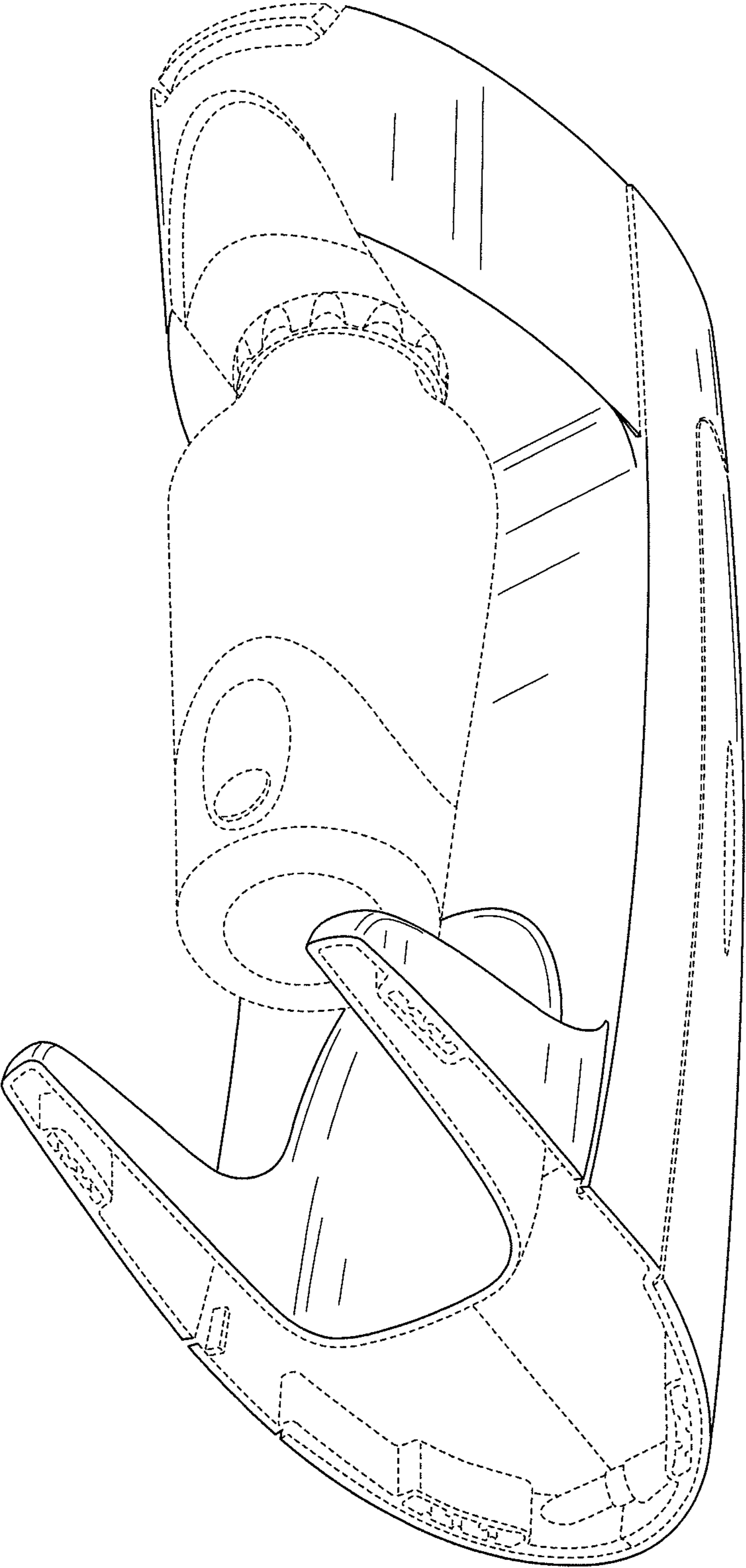


FIG. 2

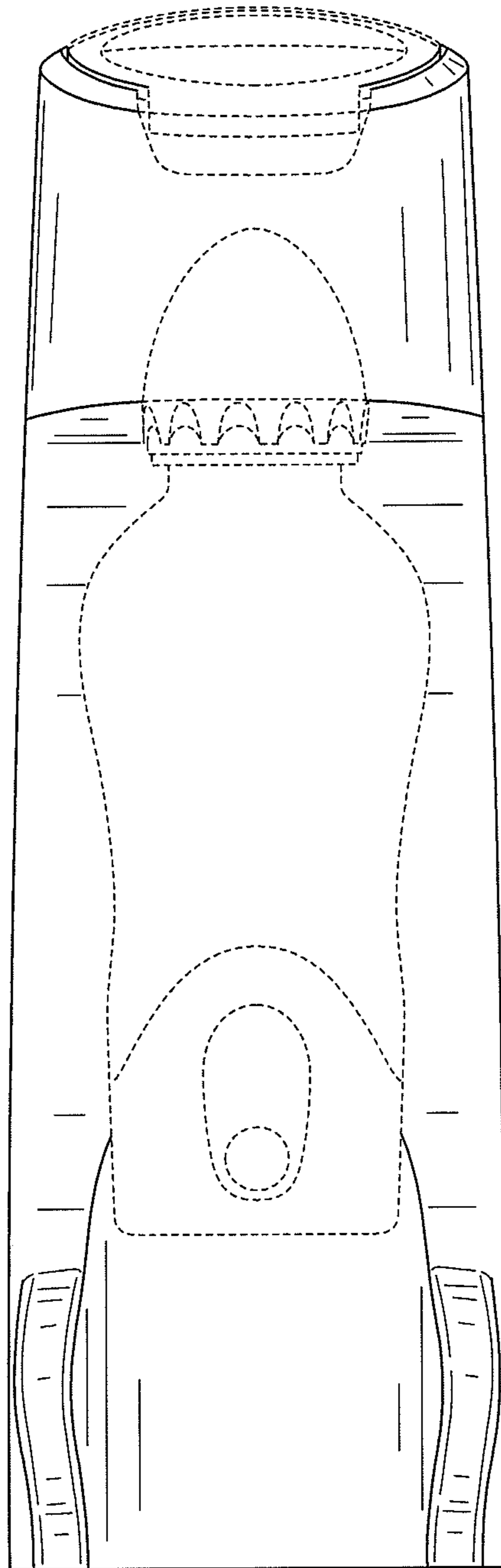


FIG. 3

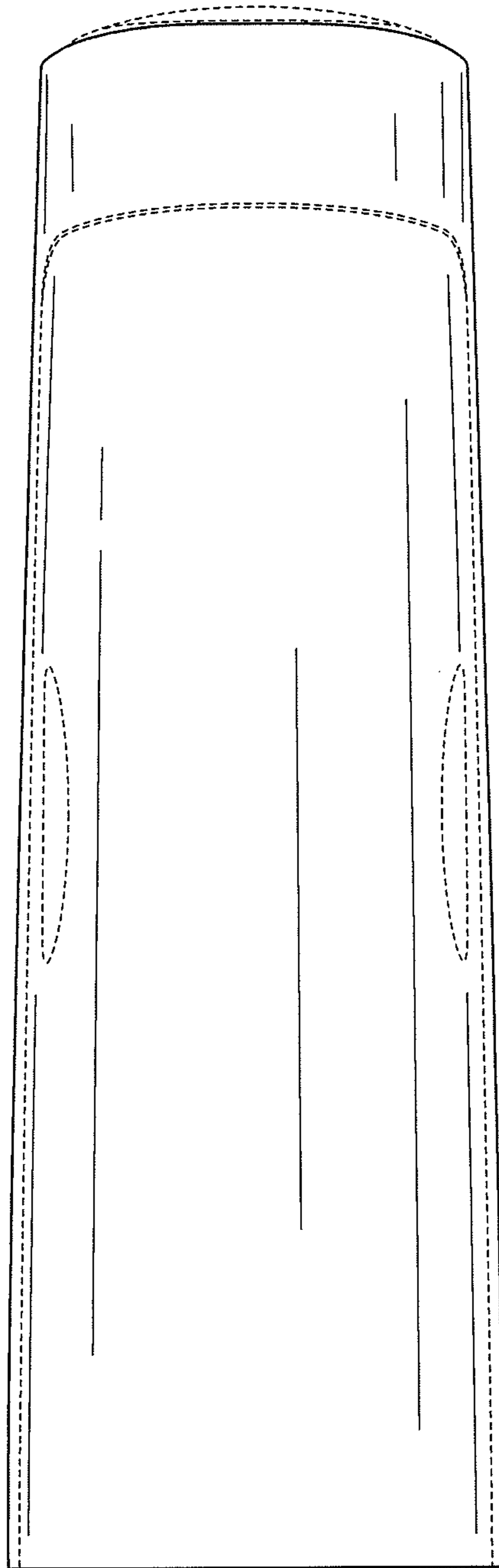


FIG. 4

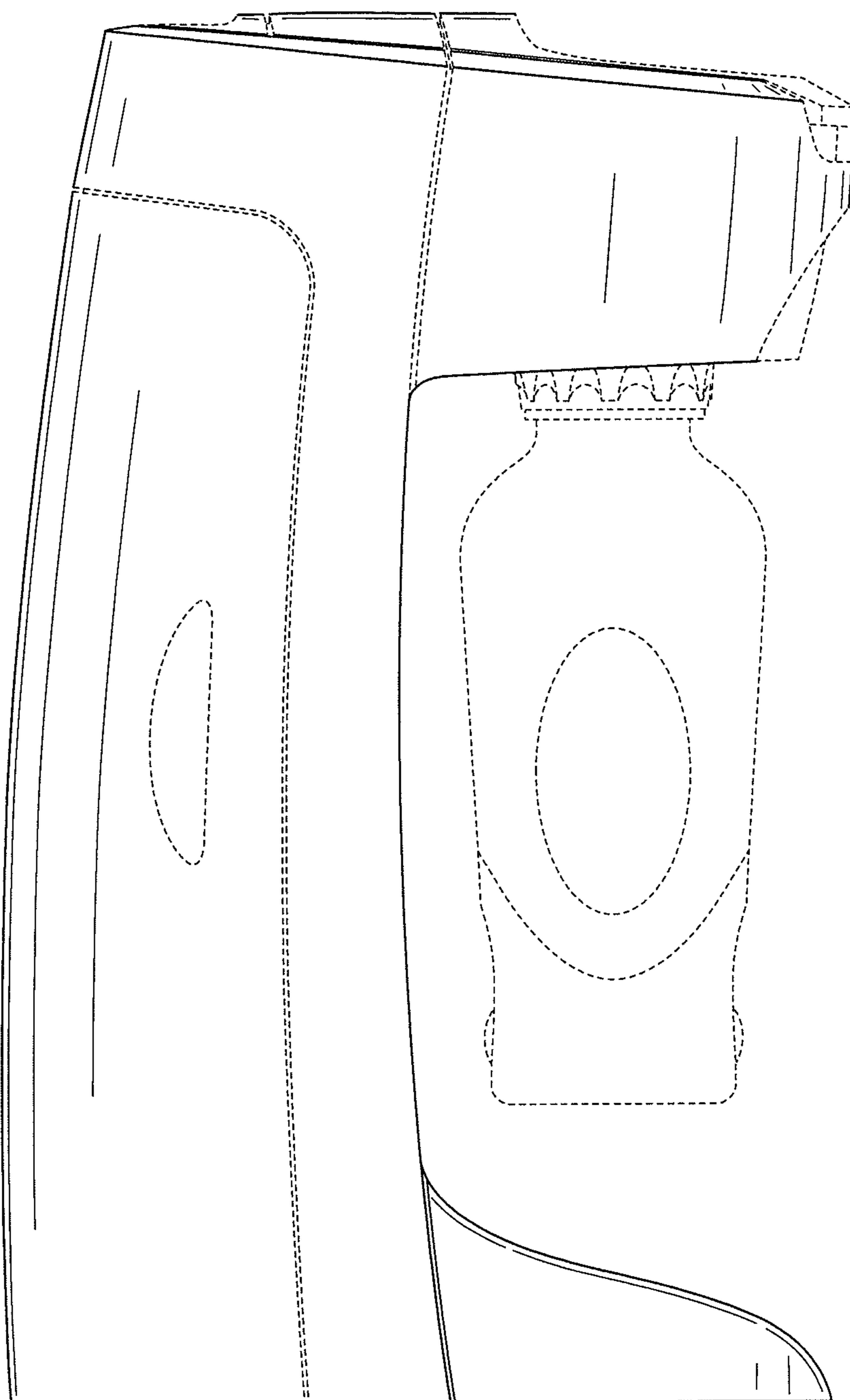


FIG. 5

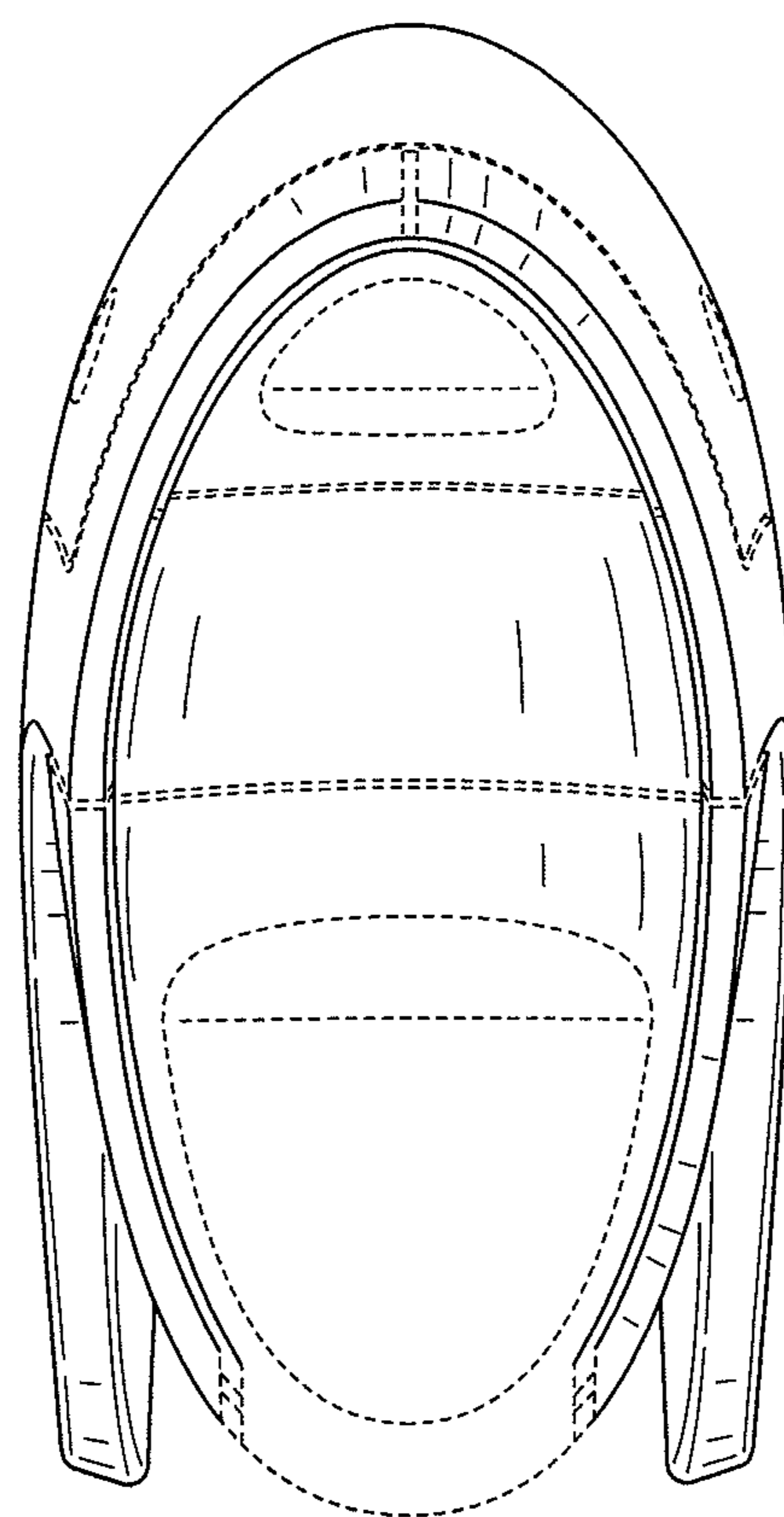


FIG. 6

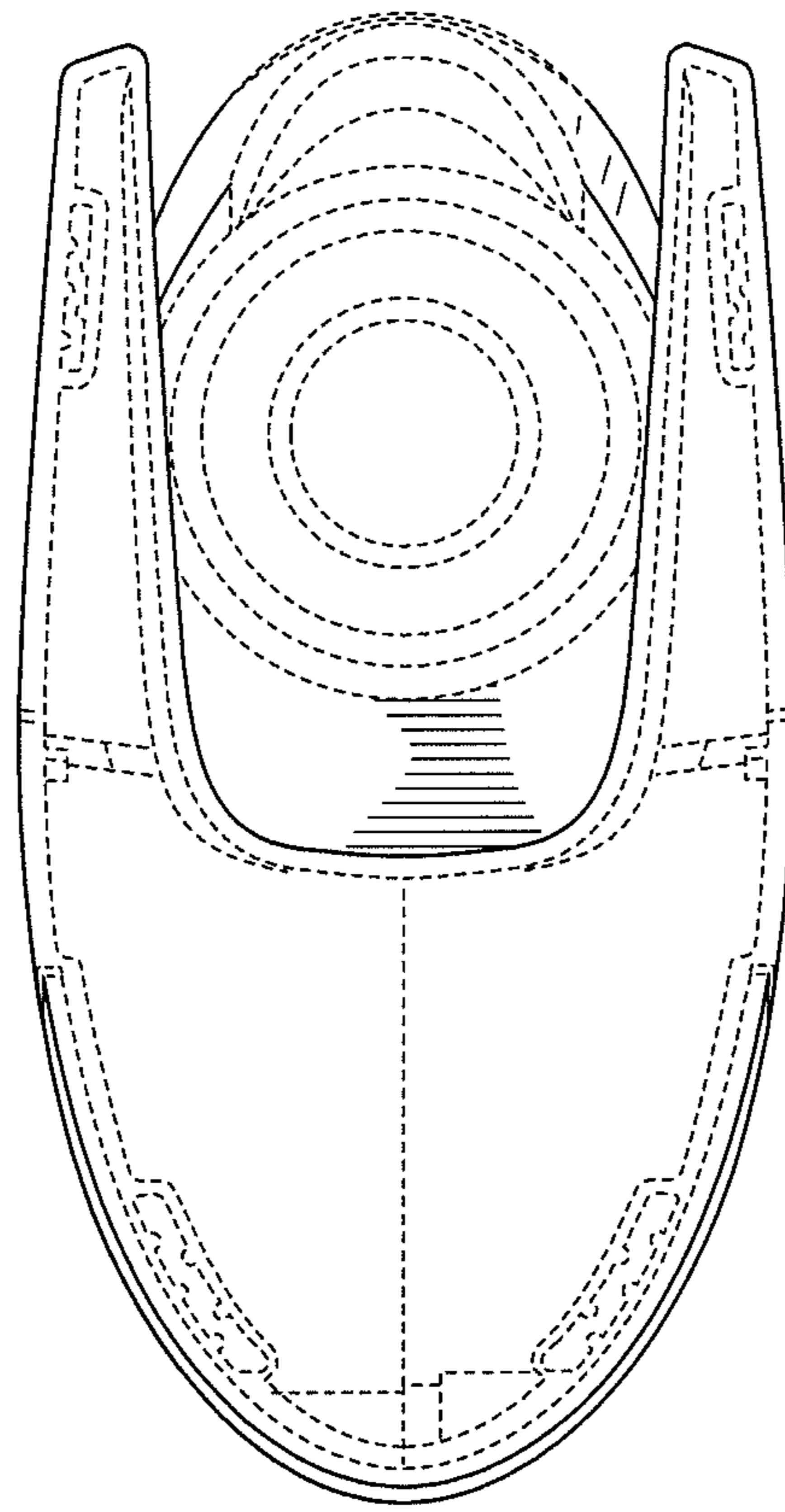


FIG. 7

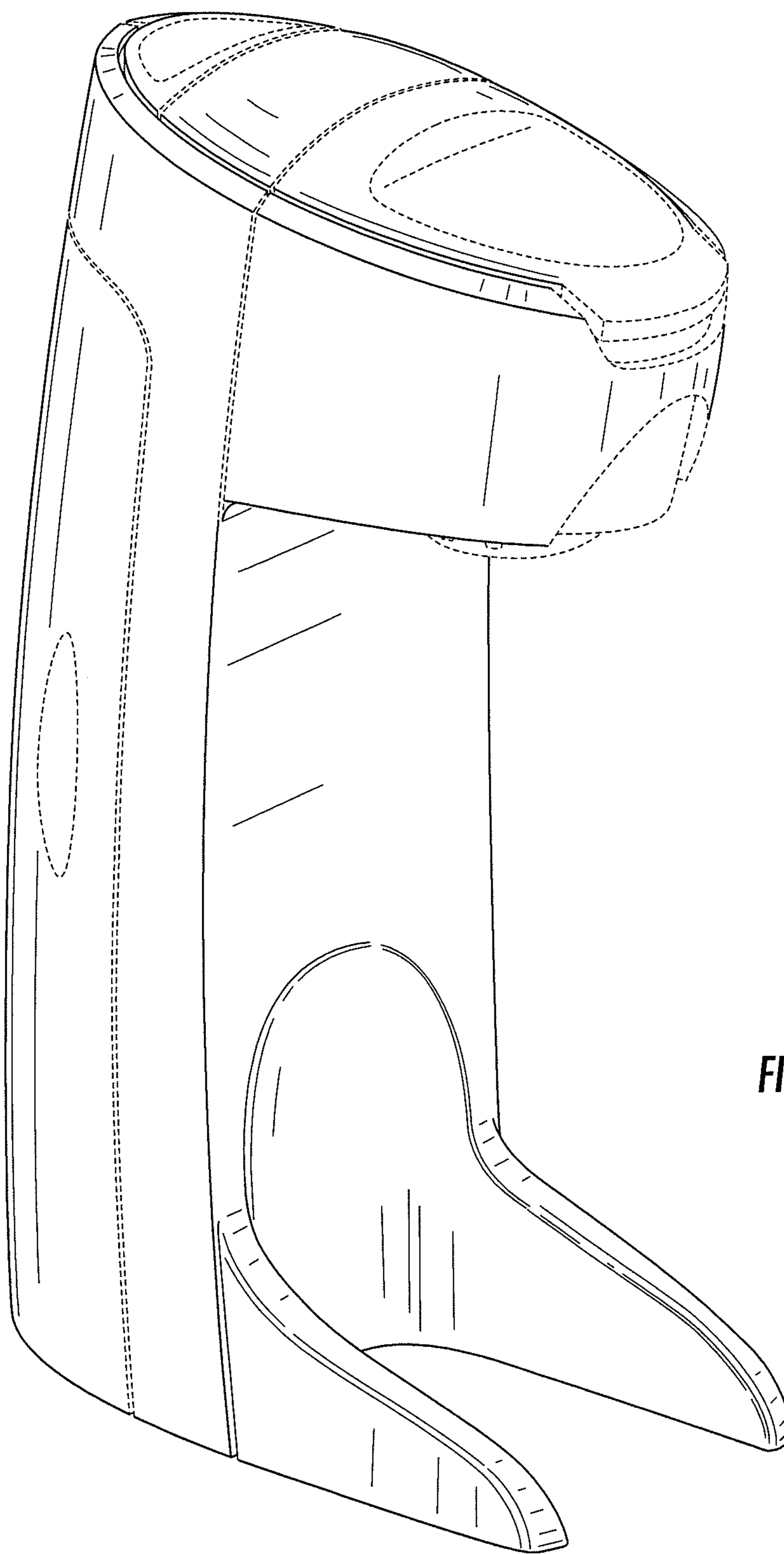


FIG. 8

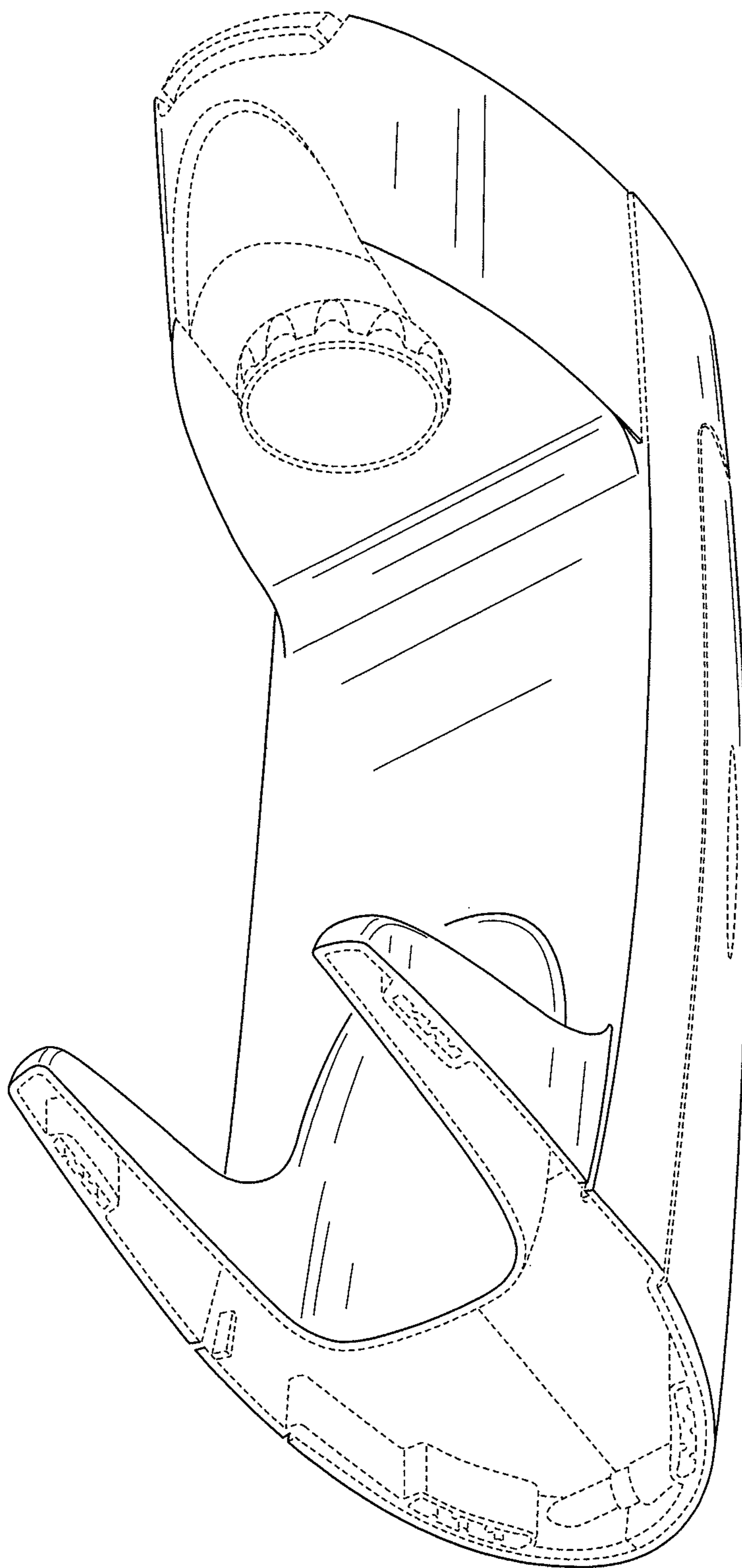


FIG. 9

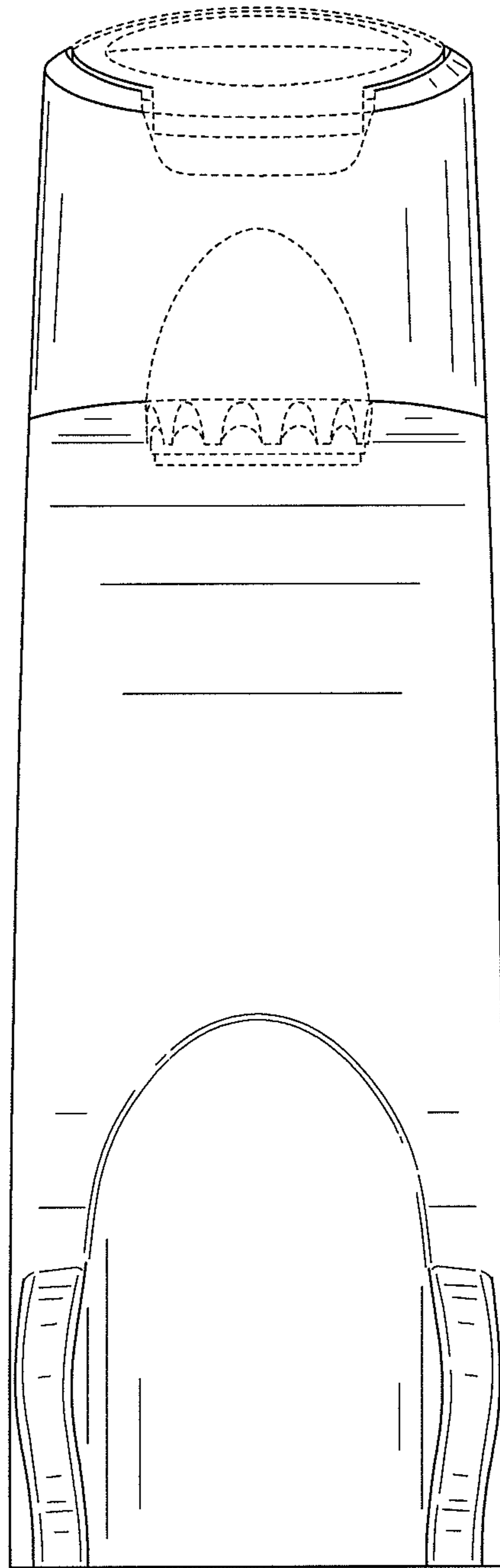


FIG. 10

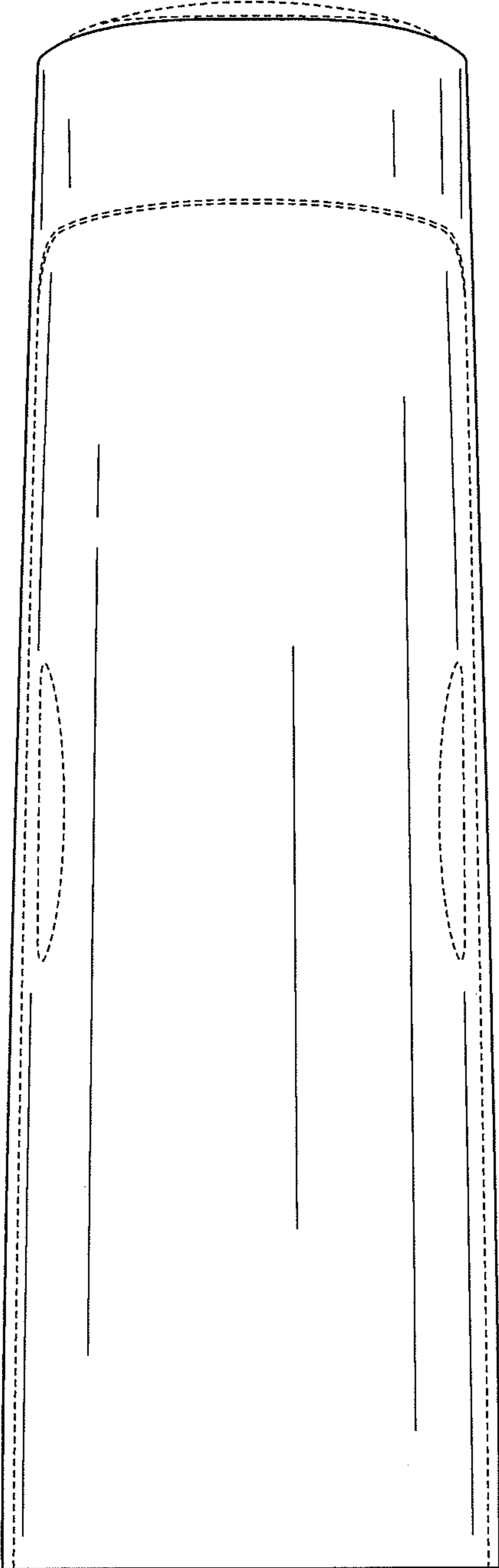


FIG. 11

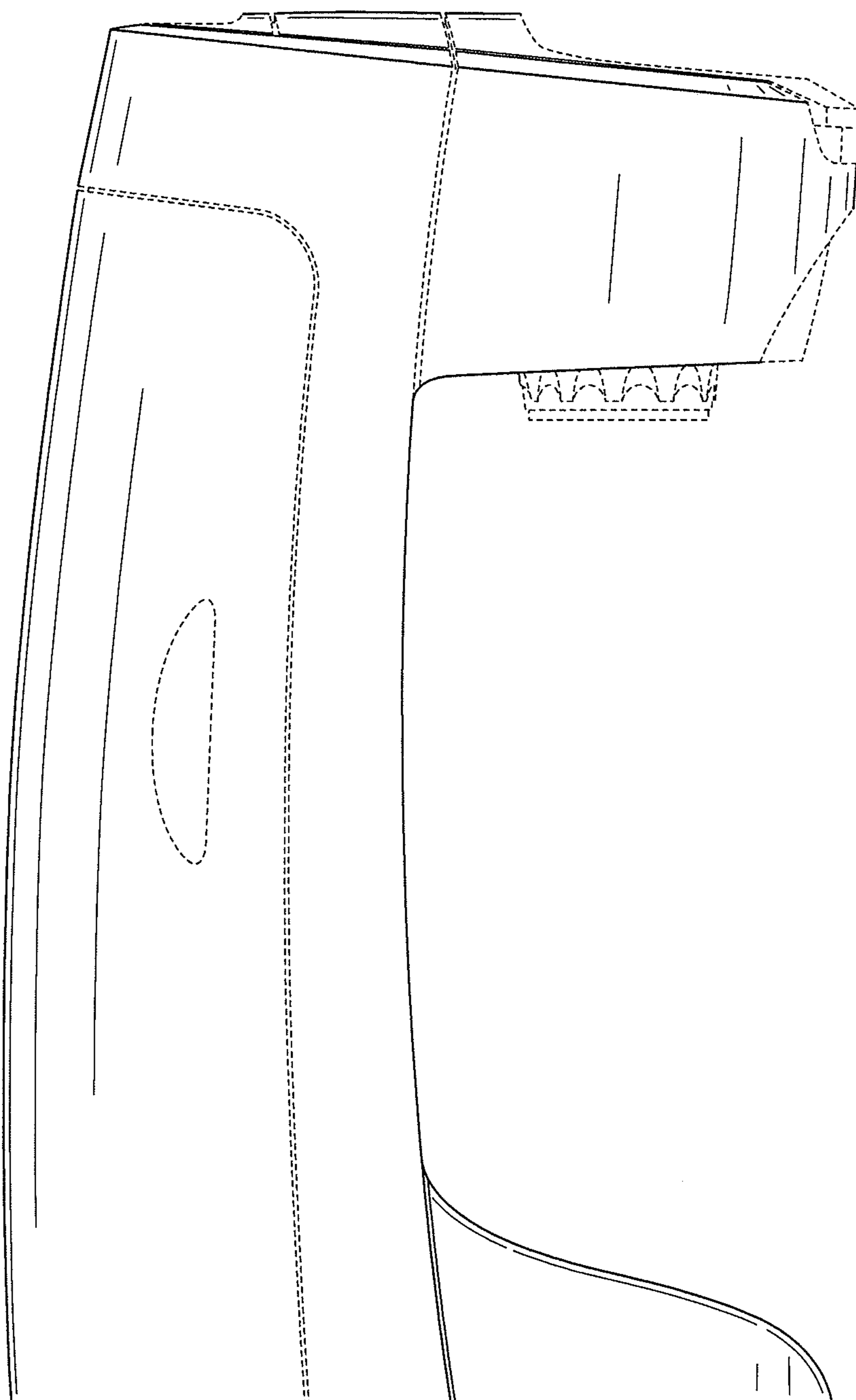


FIG. 12

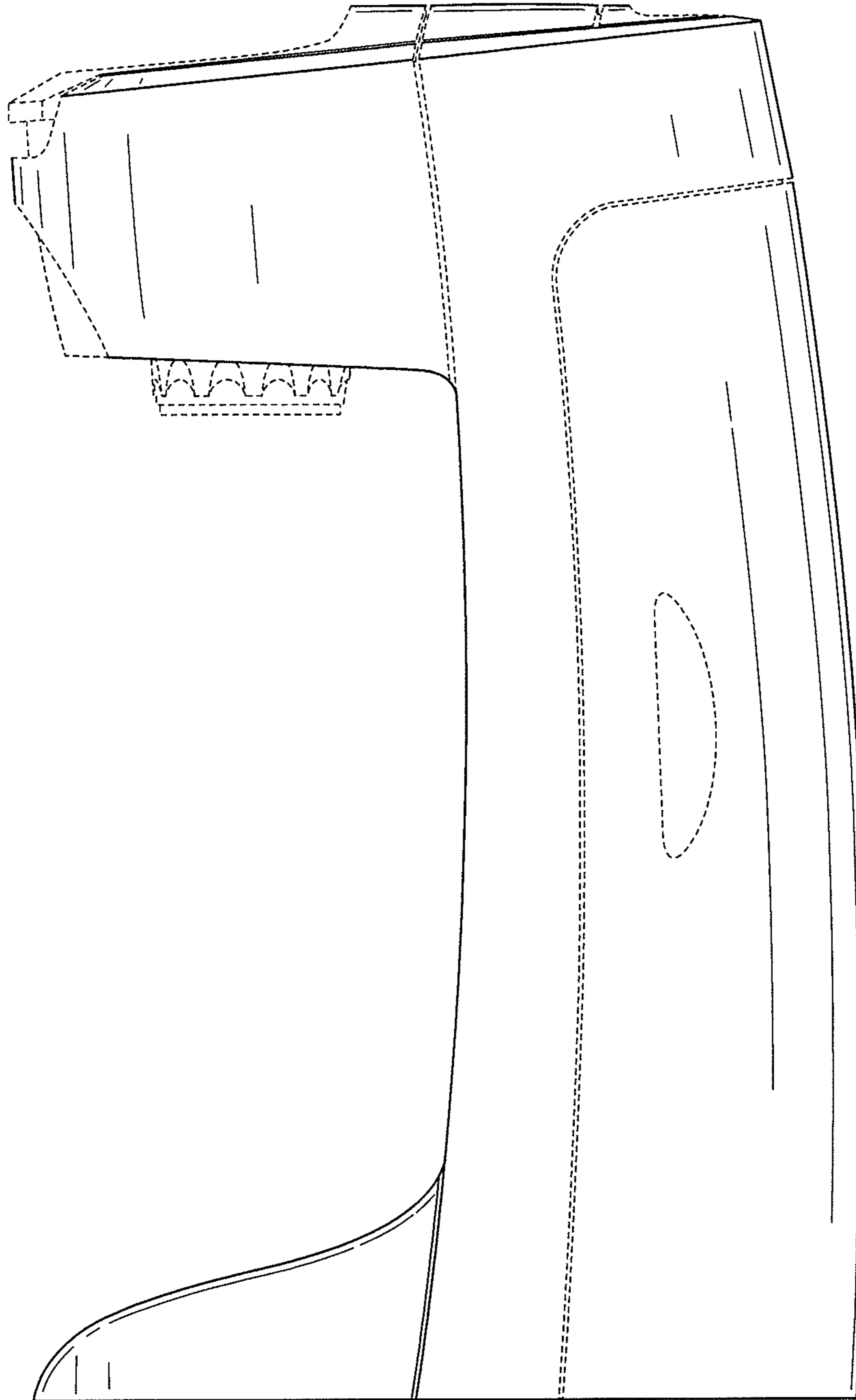


FIG. 13

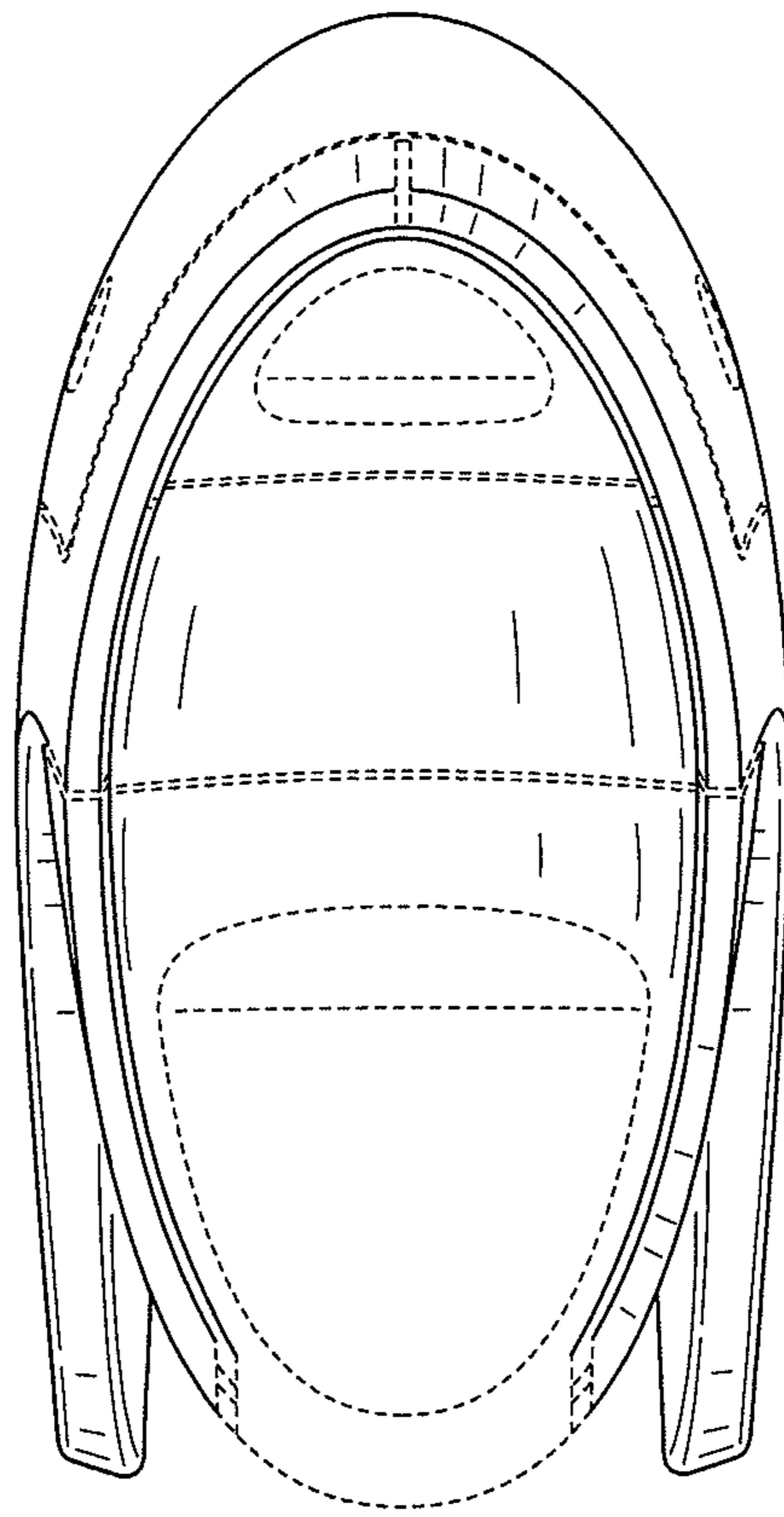


FIG. 14

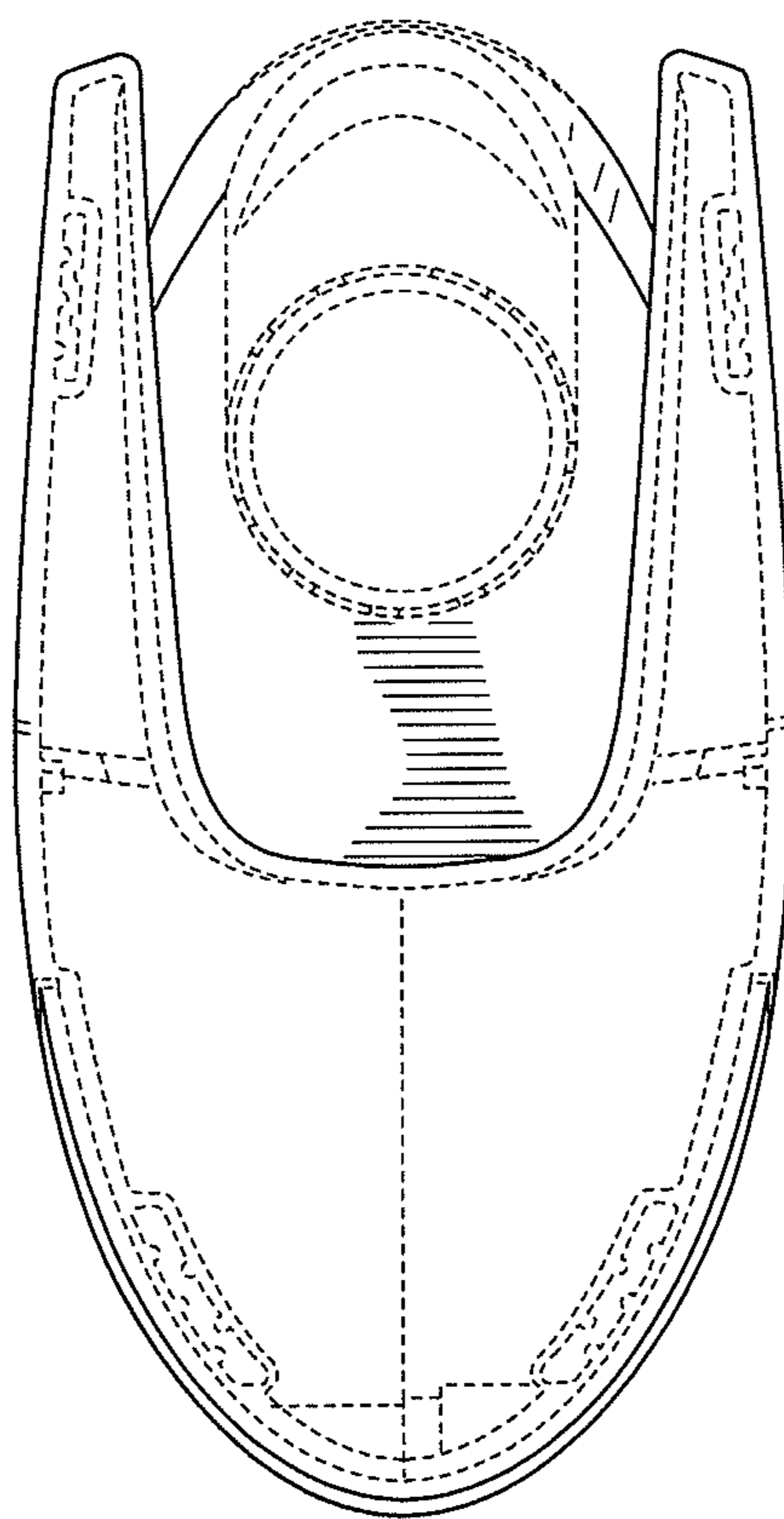


FIG. 15