



US00D679930S

(12) **United States Design Patent**
Thomas

(10) **Patent No.:** **US D679,930 S**
(45) **Date of Patent:** **** Apr. 16, 2013**

(54) **BED SHEET OR BLANKET**

(76) Inventor: **Julie A. Thomas**, Tucson, AZ (US)

(**) Term: **14 Years**

(21) Appl. No.: **29/428,755**

(22) Filed: **Aug. 2, 2012**

(51) **LOC (9) Cl.** **06-09**

(52) **U.S. Cl.**
USPC **D6/603**

(58) **Field of Classification Search** D6/596,
D6/602, 603, 608, 597, 611, 601; 5/482,
5/485, 486, 488, 495-502, 417, 420; D2/719,
D2/500

See application file for complete search history.

(56) **References Cited**

U.S. PATENT DOCUMENTS

D127,094 S *	5/1941	Katzman et al.	D2/500
3,072,776 A	1/1963	Quenneville		
5,023,969 A	6/1991	Natgrass		
D330,990 S *	11/1992	Barnes	D6/603
D376,720 S	12/1996	Thode		
6,226,814 B1	5/2001	Alexander		

7,100,223 B1	9/2006	Anthony		
D630,820 S *	1/2011	Wilson	D2/826
2009/0007312 A1*	1/2009	Greer	2/69.5

* cited by examiner

Primary Examiner — Janice Seeger

(74) *Attorney, Agent, or Firm* — QuickPatents; Kevin Prince

(57) **CLAIM**

I claim the ornamental design for a bed sheet or blanket, as shown and described.

DESCRIPTION

FIG. 1 is a perspective view of a bed sheet or blanket, showing my new design in a wrapped-around-a-mattress configuration;

FIG. 2 is a perspective view thereof in a flat configuration;

FIG. 3 is a top plan view of FIG. 2, the bottom plan view being a mirror image thereof;

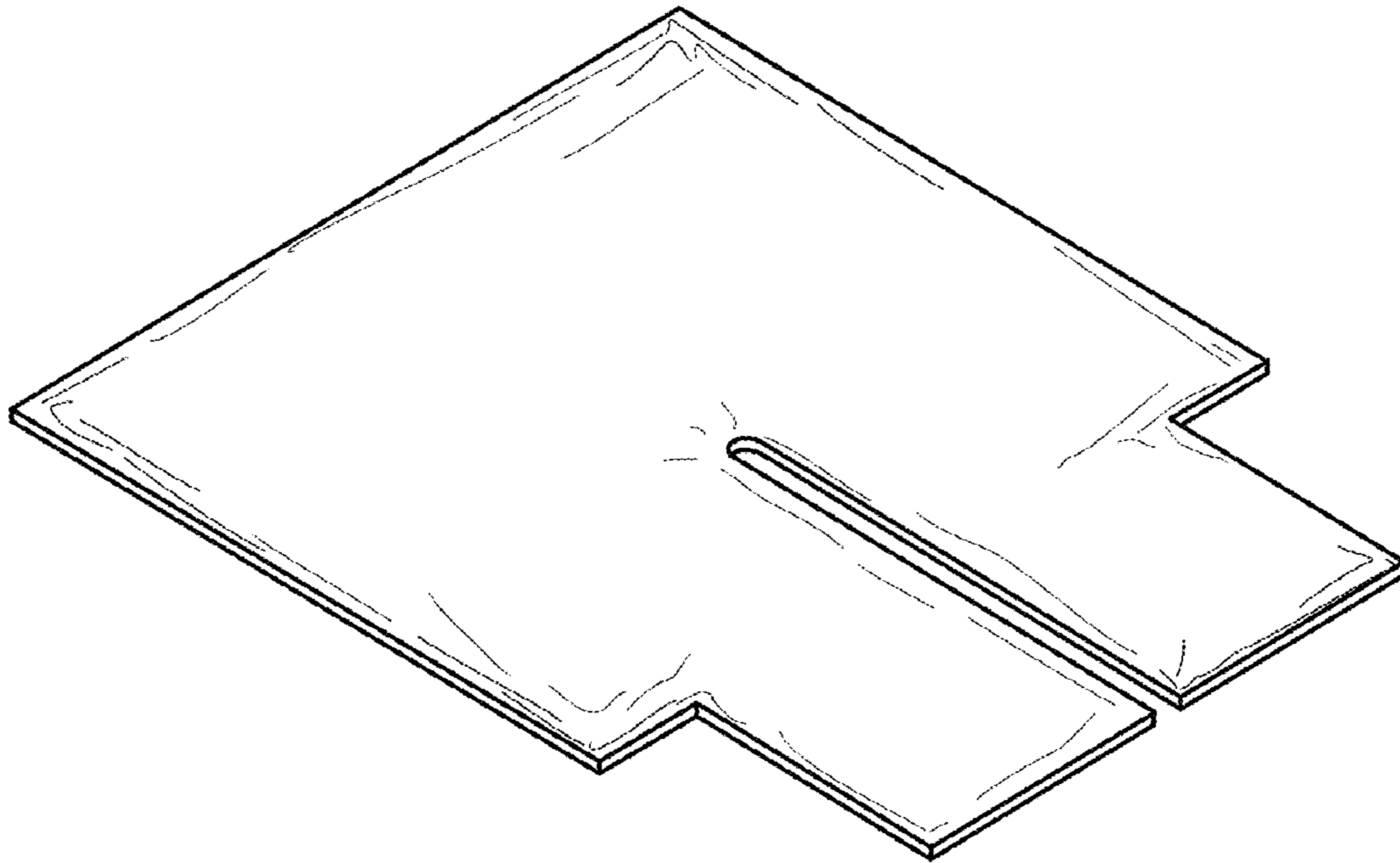
FIG. 4 is a left-side elevational view of FIG. 2, the right-side elevational view being a mirror image thereof;

FIG. 5 is a front elevational view of FIG. 2; and,

FIG. 6 is a rear elevational view of FIG. 2.

The broken lines showing a mattress in FIG. 1 depict environmental matter and form no part of the claimed design.

1 Claim, 2 Drawing Sheets



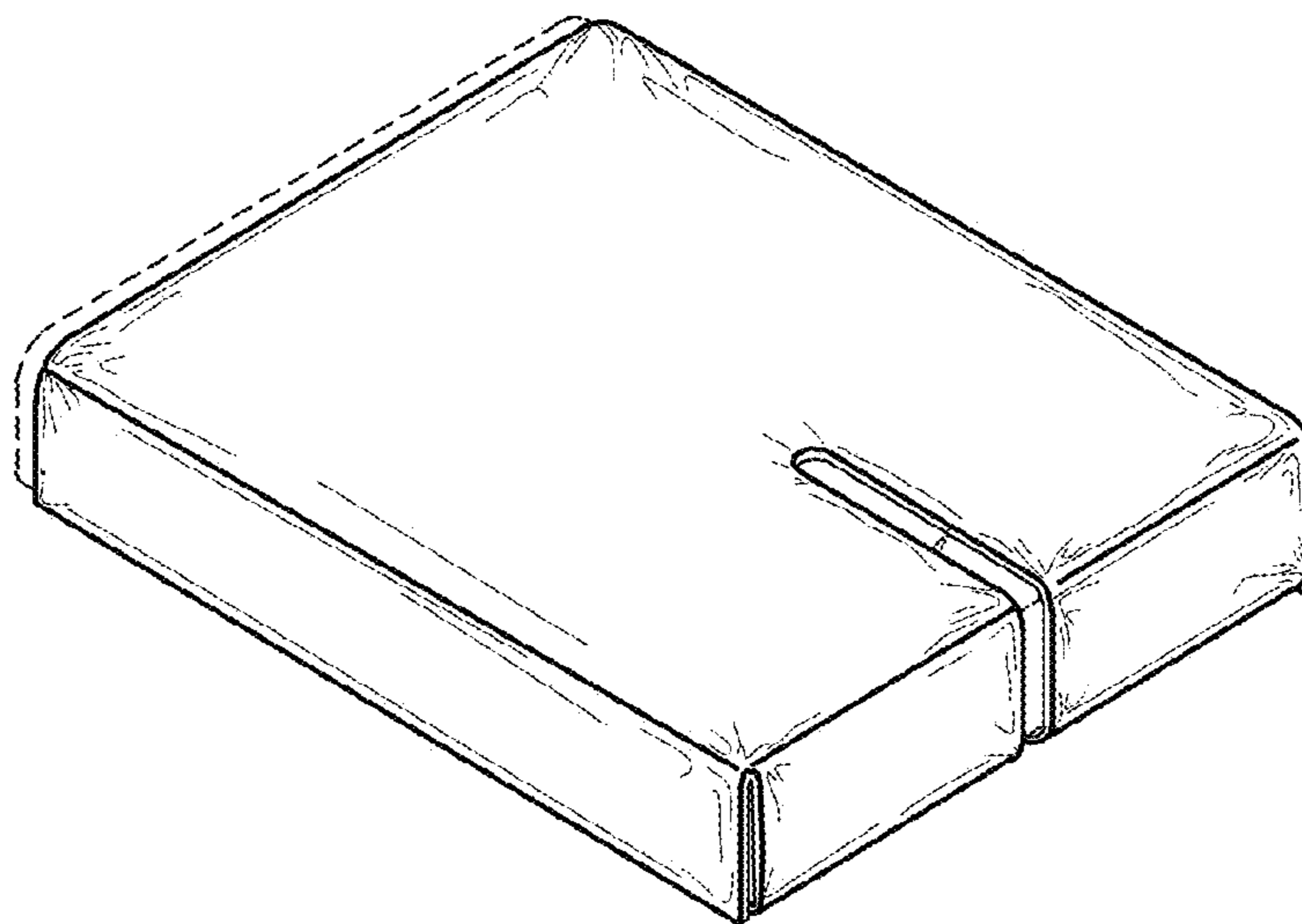


FIG. 1

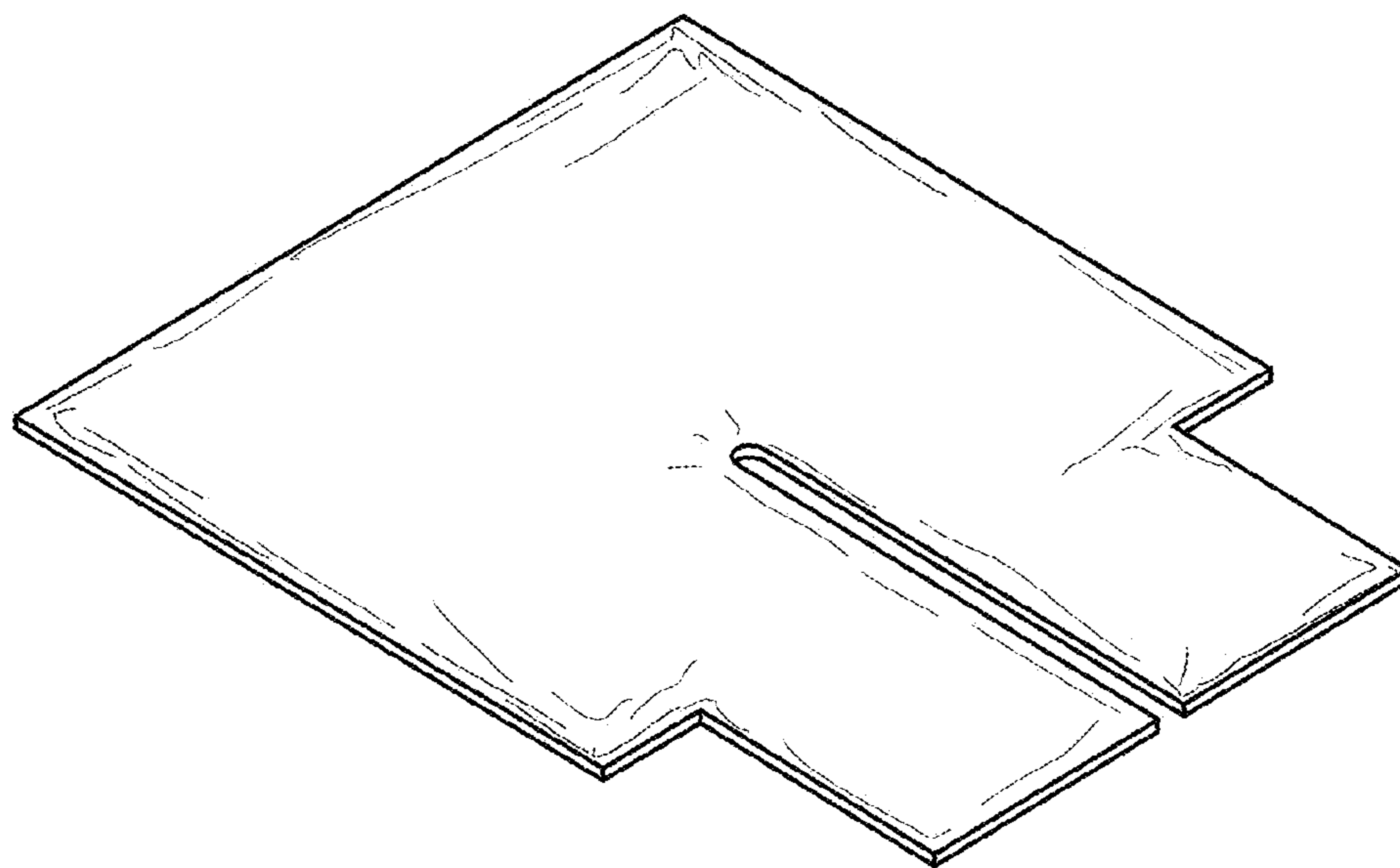


FIG. 2

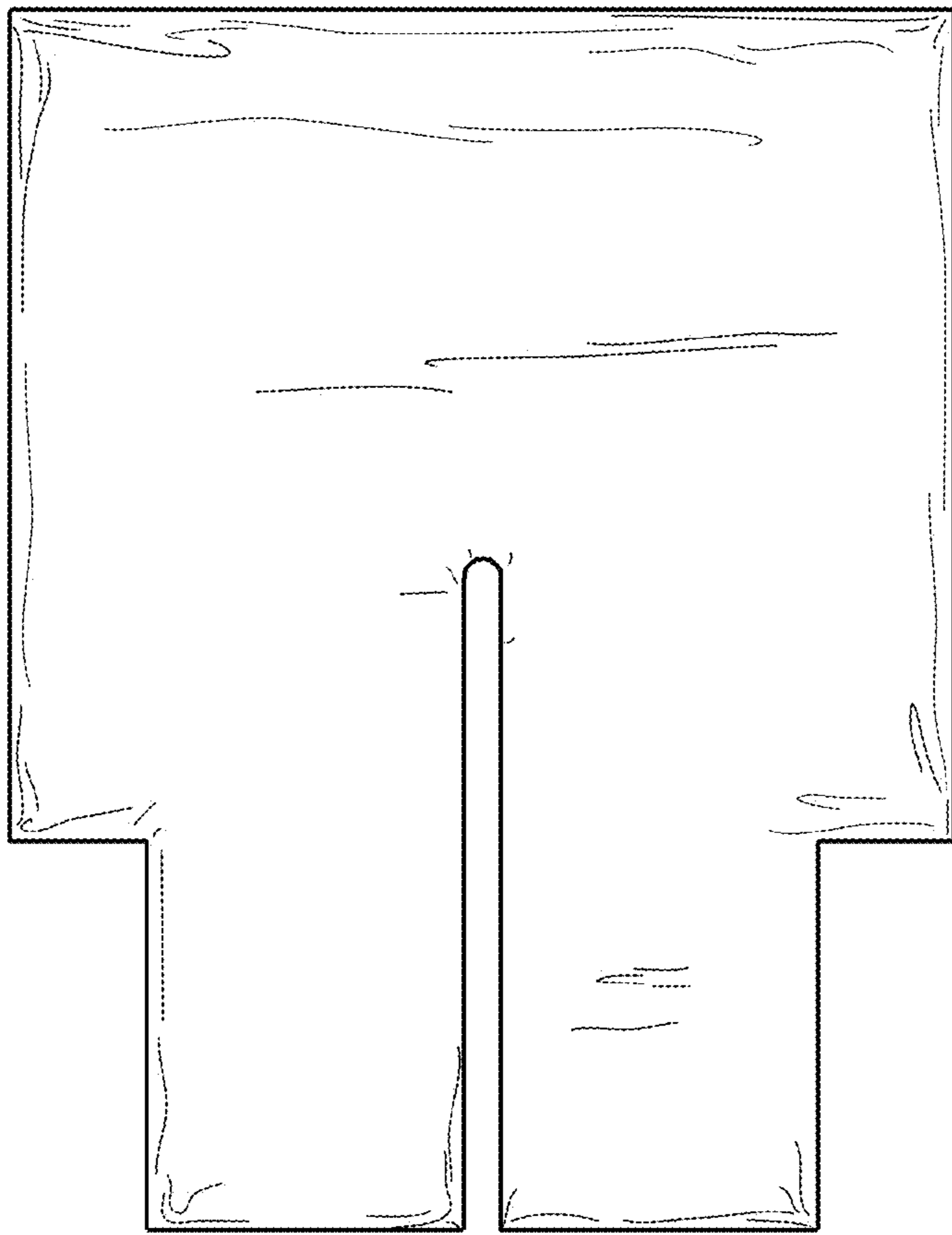


FIG. 3



FIG. 4



FIG. 5



FIG. 6