

US00D679929S

(12) **United States Design Patent**
DiBernardo

(10) **Patent No.:** **US D679,929 S**

(45) **Date of Patent:** **** *Apr. 16, 2013**

(54) **AUXILIARY ADJUSTABLE HEAD REST CUSHION**

(76) **Inventor:** **Deborah Margaret DiBernardo,**
Mission Viejo, CA (US)

(*) **Notice:** This patent is subject to a terminal disclaimer.

(**) **Term:** **14 Years**

(21) **Appl. No.:** **29/410,409**

(22) **Filed:** **Jan. 6, 2012**

(51) **LOC (9) Cl.** **06-09**

(52) **U.S. Cl.**
USPC **D6/601**

(58) **Field of Classification Search** D6/595,
D6/596, 597, 601; 5/630, 636, 637, 648,
5/652, 653, 655.3, 656, 907; 297/391, 397,
297/400

See application file for complete search history.

(56) **References Cited**

U.S. PATENT DOCUMENTS

D382,164 S * 8/1997 Hays D6/601
D406,486 S * 3/1999 Ogilvie D6/596

5,964,504 A * 10/1999 Hogan et al. 297/397
D439,463 S * 3/2001 Bare D6/595
6,435,617 B1 * 8/2002 McNair 297/397
6,484,335 B2 * 11/2002 Gilbert 5/636
6,748,615 B1 * 6/2004 Tiedemann 5/640
6,783,175 B1 * 8/2004 Henderson 297/4

* cited by examiner

Primary Examiner — Janice Seeger

(74) *Attorney, Agent, or Firm* — QuickPatents, Inc.; Kevin Prince

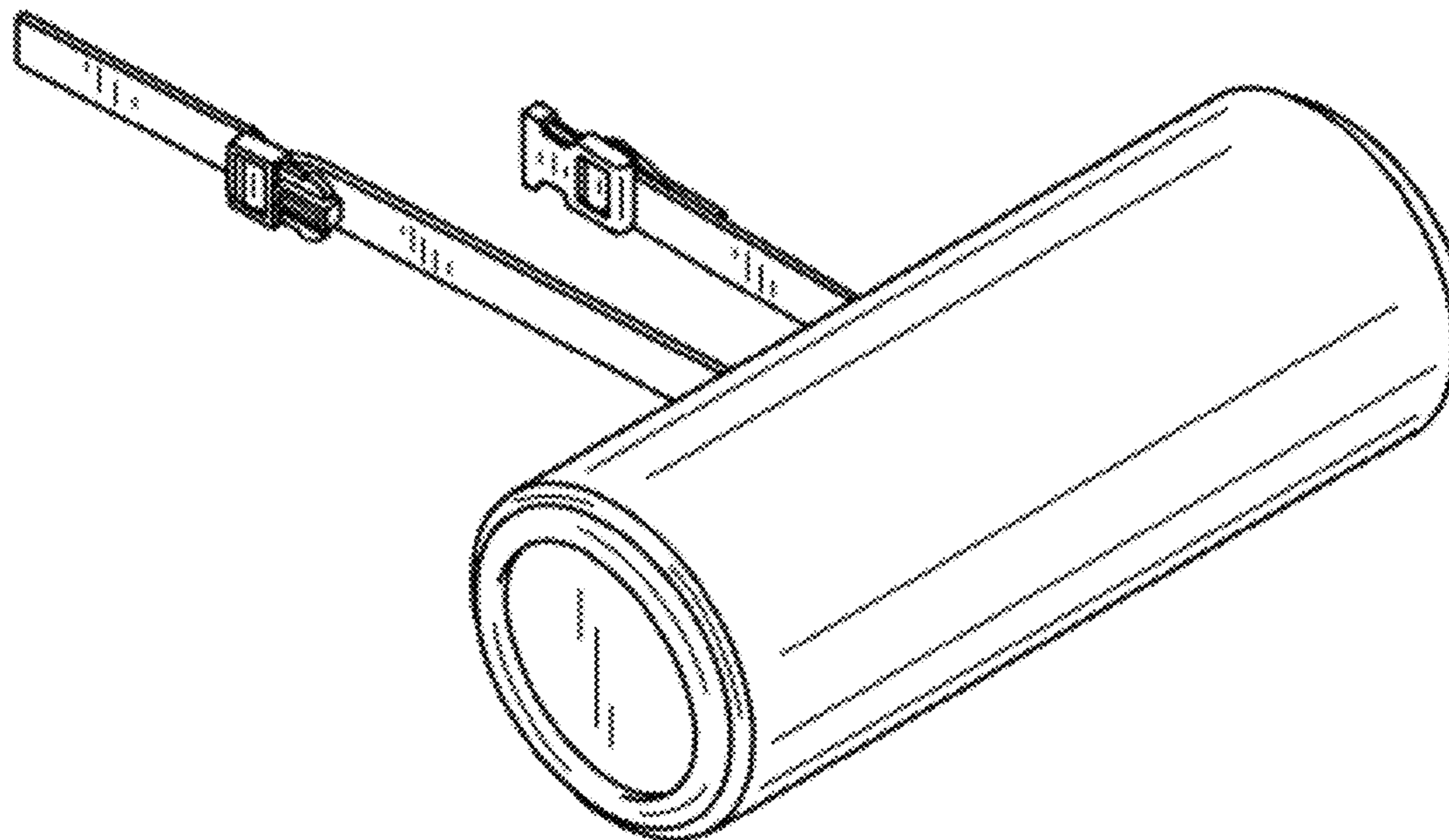
(57) **CLAIM**

I claim the ornamental design for an auxiliary adjustable head rest cushion, as shown and described.

DESCRIPTION

FIG. 1 is a perspective view of an auxiliary adjustable head rest cushion, showing my new design;
FIG. 2 is a top plan view thereof;
FIG. 3 is a bottom plan view thereof;
FIG. 4 is a front elevational view thereof;
FIG. 5 is a rear elevational view thereof;
FIG. 6 is a right-side elevational view thereof; and,
FIG. 7 is a left-side elevational view thereof.

1 Claim, 3 Drawing Sheets



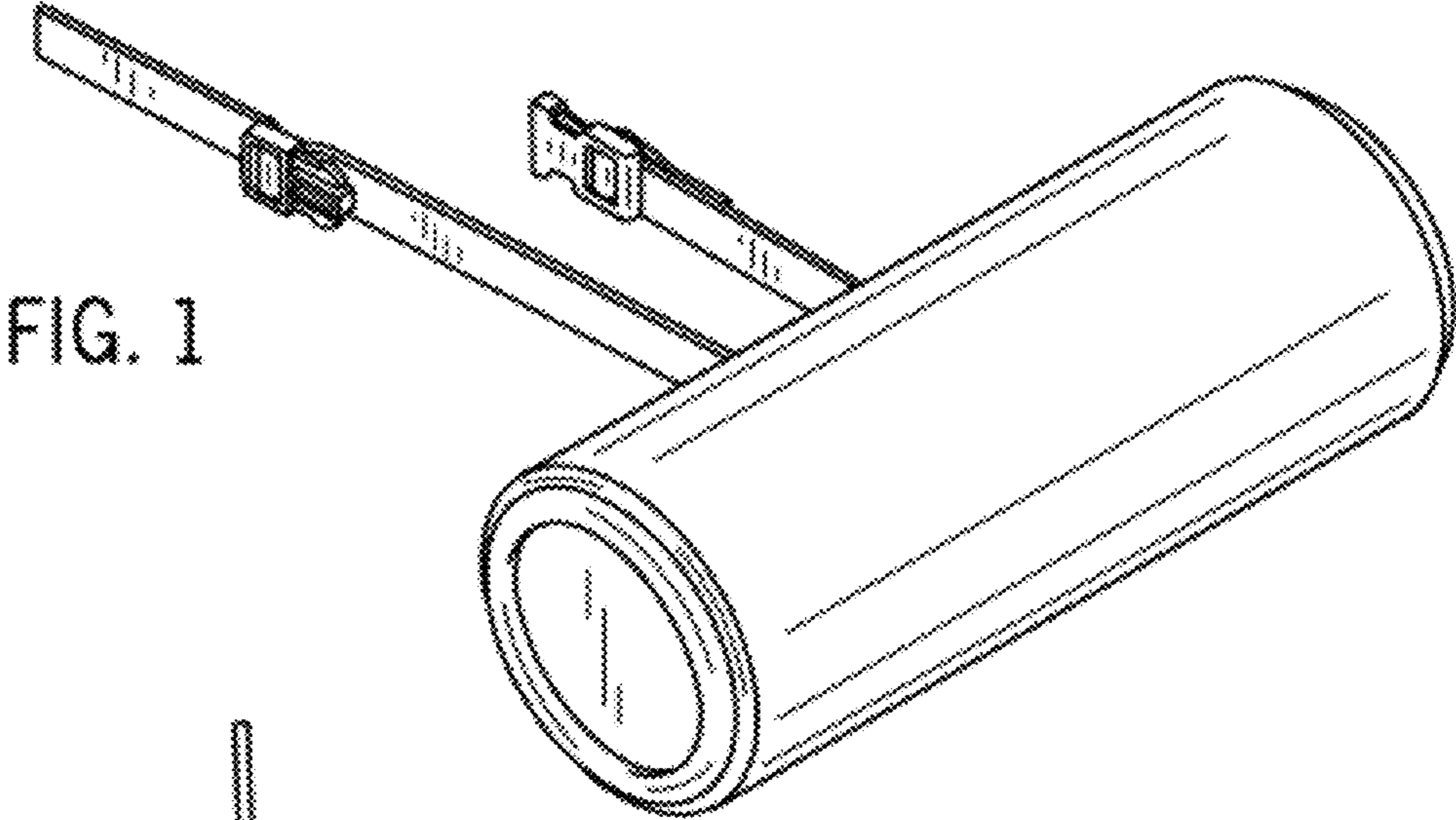


FIG. 1

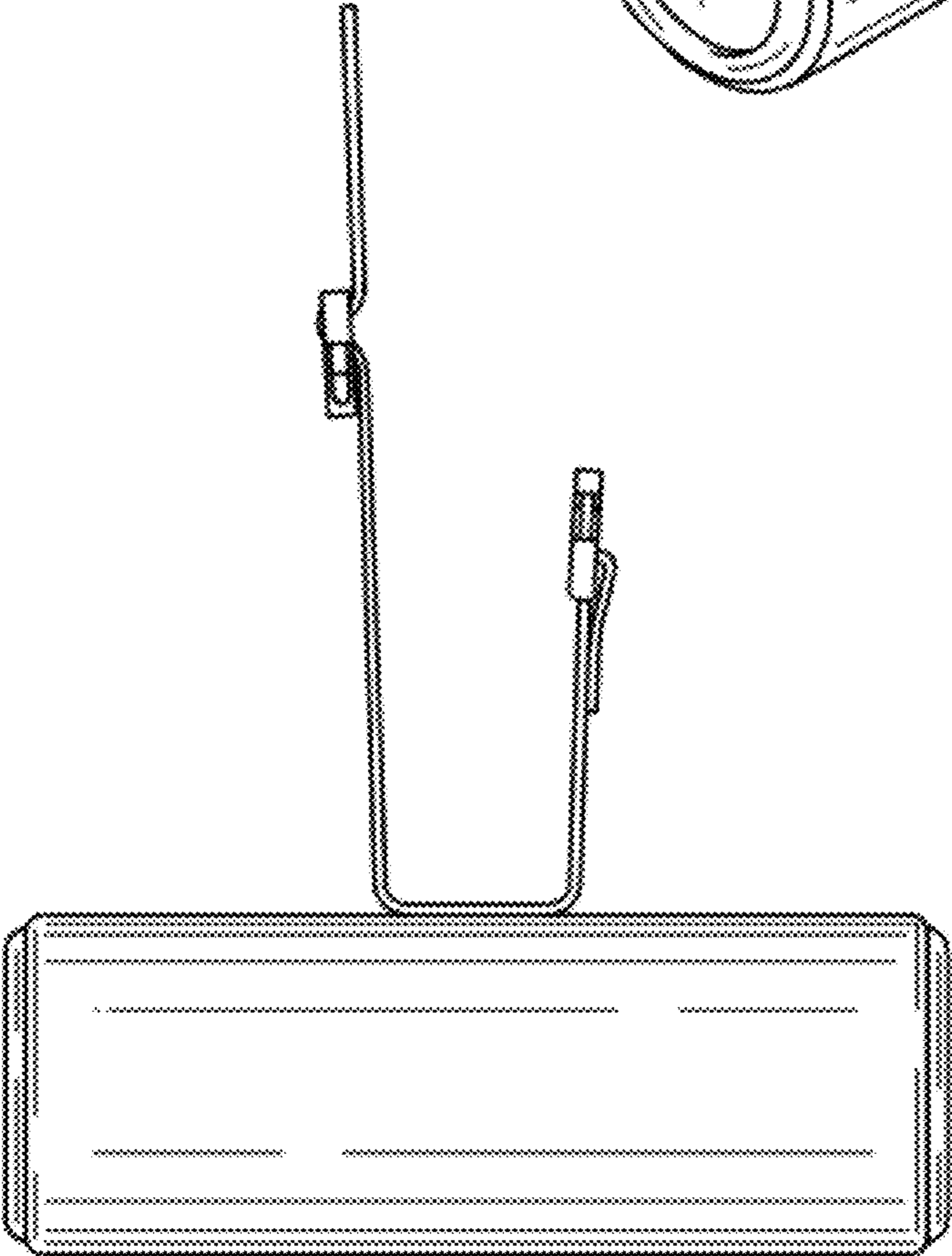


FIG. 2

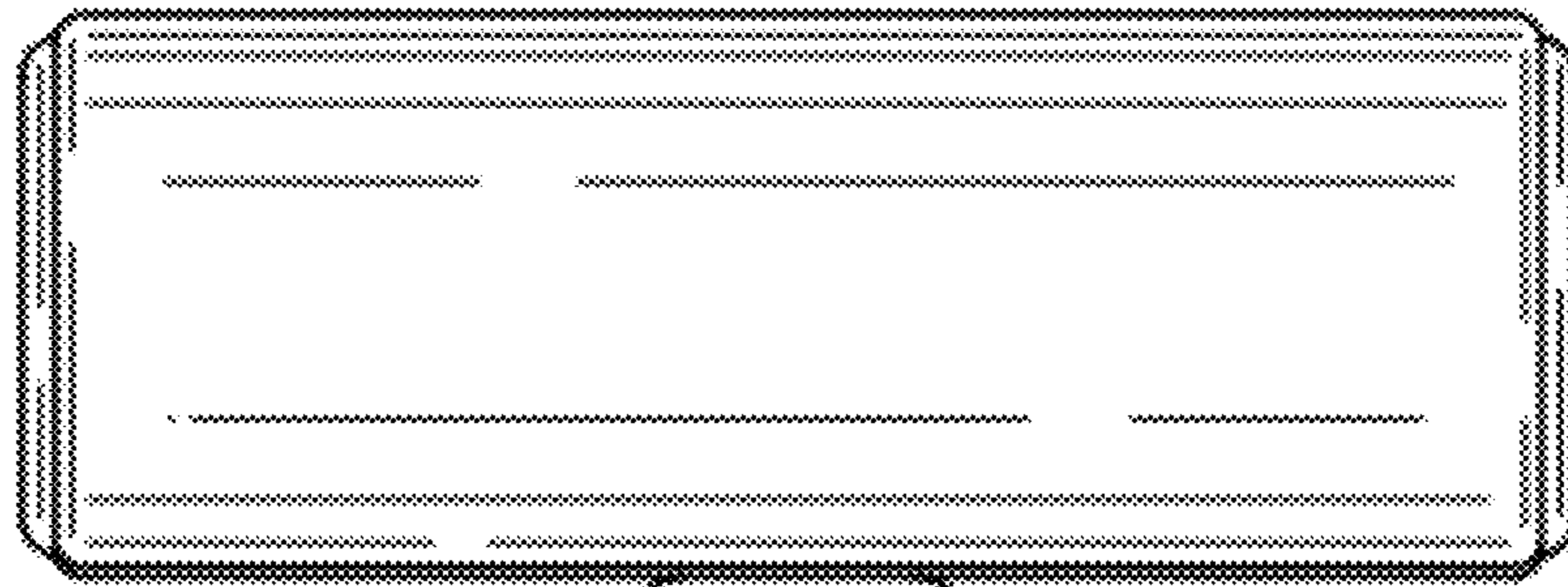


FIG. 3

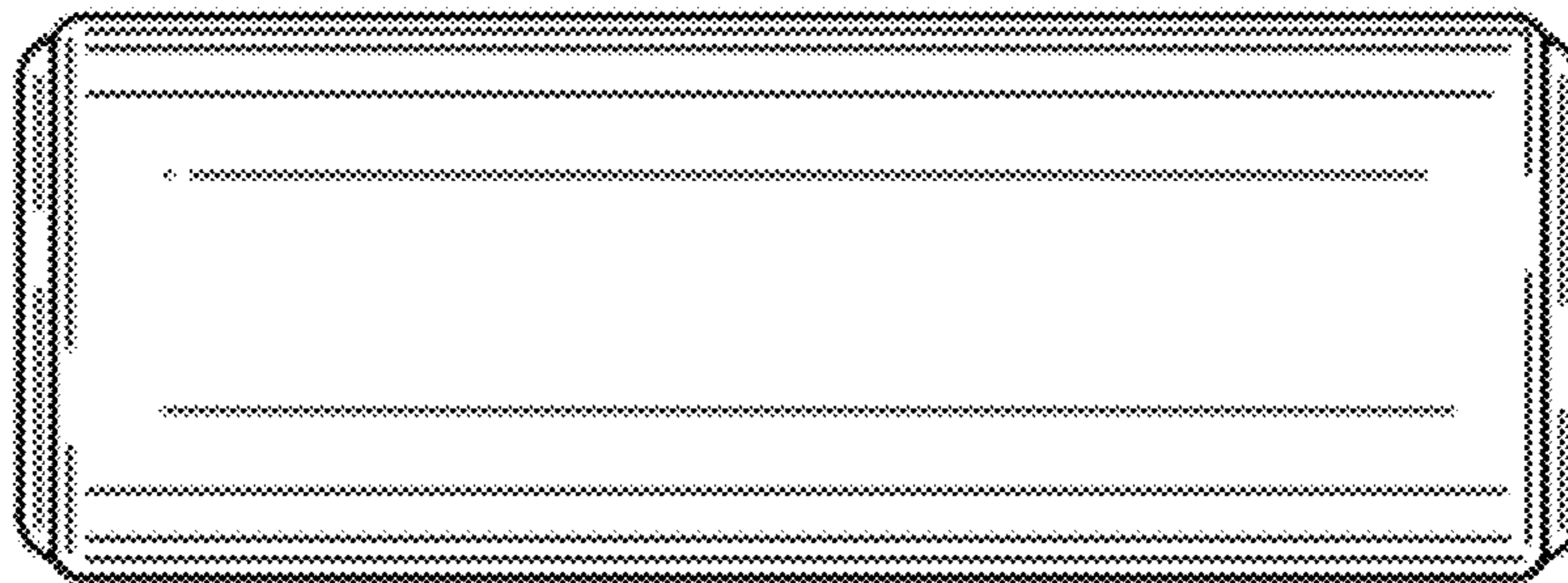


FIG. 4

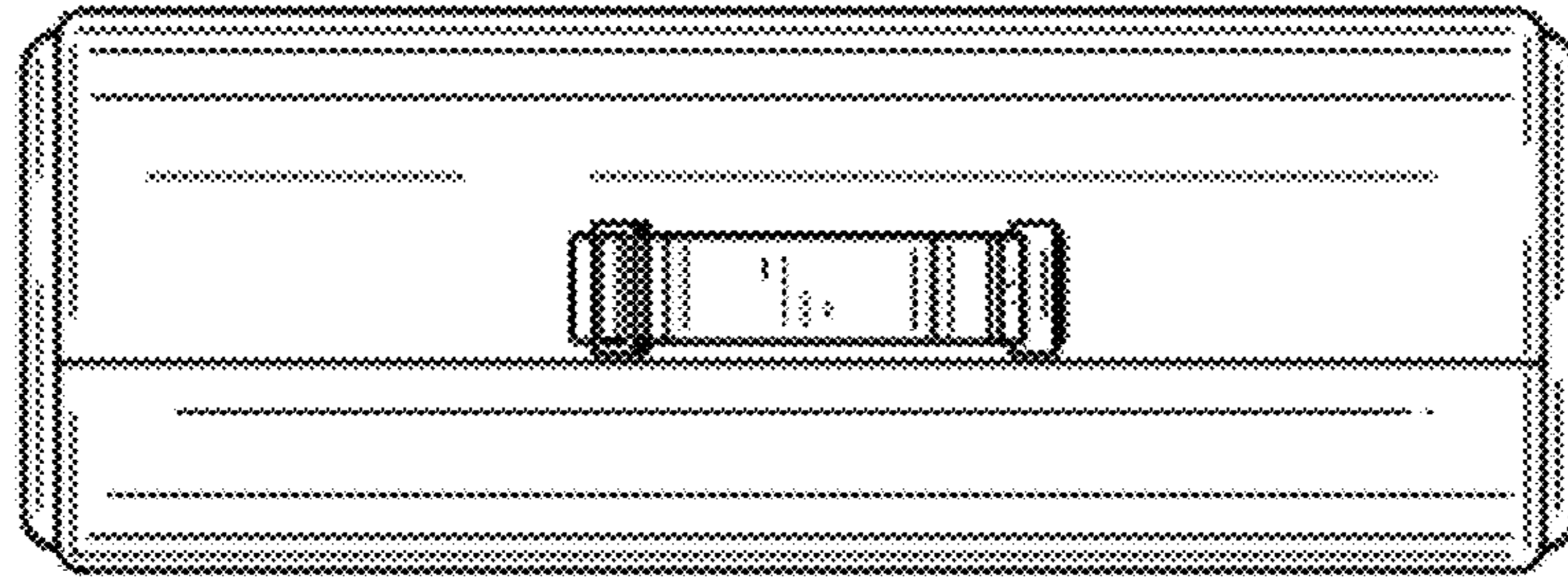


FIG. 5

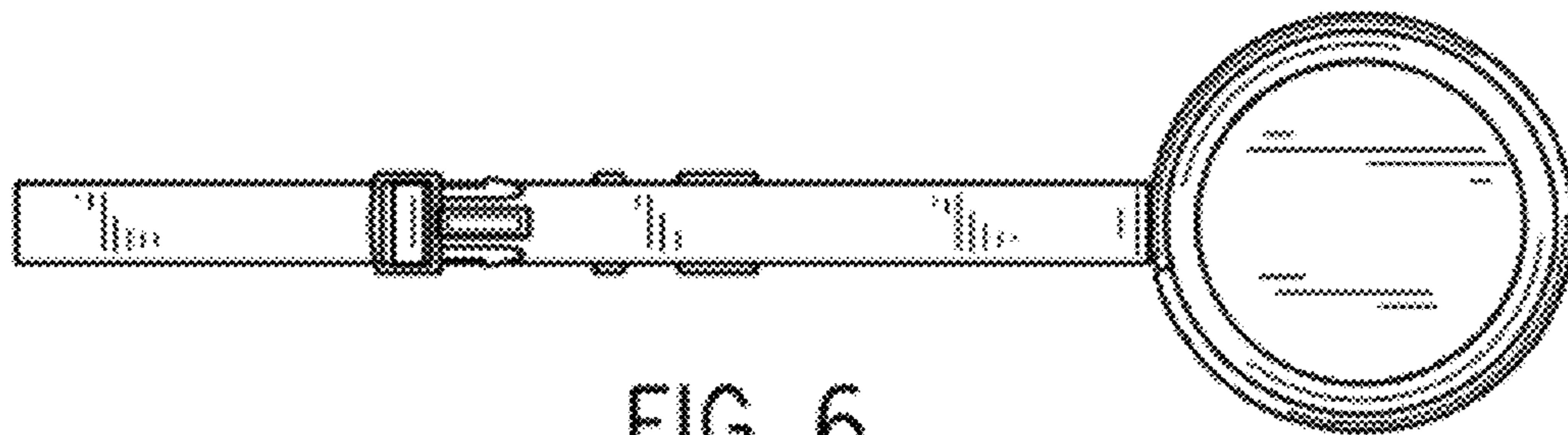


FIG. 6

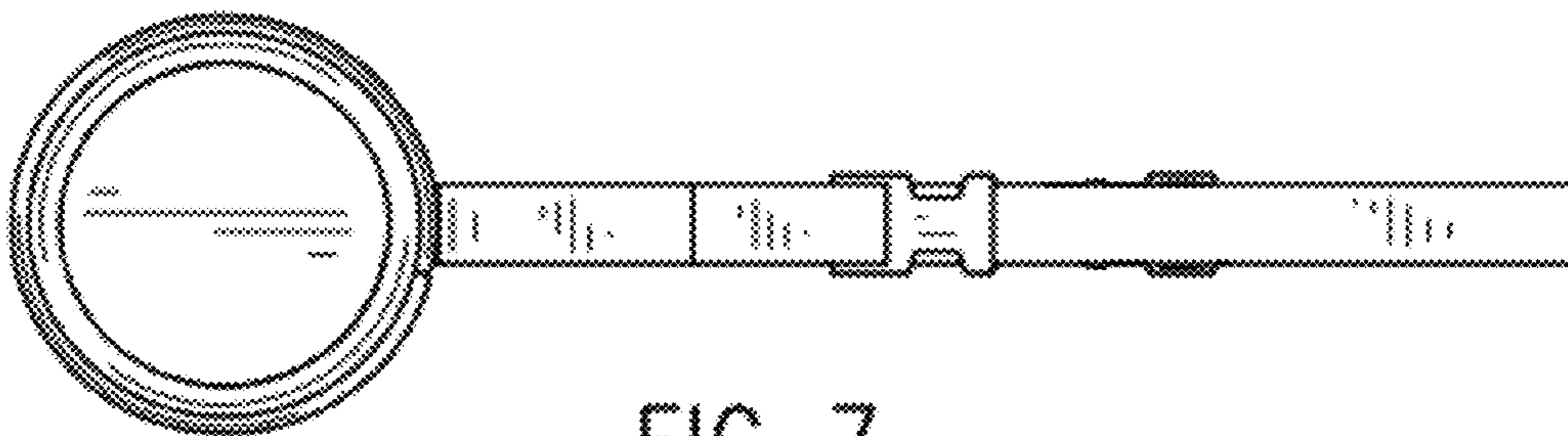


FIG. 7