



US00D679927S

(12) **United States Design Patent**
Davis

(10) **Patent No.:** **US D679,927 S**
(45) **Date of Patent:** **** Apr. 16, 2013**

(54) **ELECTRONIC KEY STORAGE AND PROGRAMMING BOX**

(71) Applicant: **Videx, Inc.**, Corvallis, OR (US)

(72) Inventor: **Paul R. Davis**, Corvallis, OR (US)

(73) Assignee: **Videx, Inc.**, Corvallis, OR (US)

(**) Term: **14 Years**

(21) Appl. No.: **29/436,341**

(22) Filed: **Nov. 5, 2012**

Related U.S. Application Data

(62) Division of application No. 29/388,424, filed on Mar. 29, 2011, now Pat. No. Des. 663,145, and a division of application No. 29/426,586, filed on Jul. 6, 2012, now Pat. No. Des. 670,117.

(51) **LOC (9) Cl.** **06-04**

(52) **U.S. Cl.**
USPC **D6/559**

(58) **Field of Classification Search** D6/553,
D6/559, 560, 561, 329, 396, 442, 448, 436,
D6/437, 438, 439, 444, 445, 446, 468; 312/209,
312/234, 224, 225, 242, 245; 206/320, 823;
D8/330-331, 346; D13/107-109; D99/28;
320/107-115; 20/63, 69, 78, 80, 158, 271,
20/431, 434, 443

See application file for complete search history.

(56) **References Cited**

U.S. PATENT DOCUMENTS

D266,199 S * 9/1982 Schattner et al. D99/28
D297,195 S * 8/1988 Warwicker D6/559

D484,725 S * 1/2004 Howard D6/559
D495,234 S * 8/2004 Fisher et al. D8/330
D500,224 S * 12/2004 Drehs D6/559
D582,254 S * 12/2008 Turpault et al. D8/346
D635,377 S * 4/2011 Rodgers et al. D6/468
D638,020 S * 5/2011 Johnson et al. D13/107
D642,556 S * 8/2011 Lee D13/108

* cited by examiner

Primary Examiner — Brian N Vinson

(74) *Attorney, Agent, or Firm* — J. Douglas Wells

(57) **CLAIM**

The ornamental design for an electronic key storage and programming box, as shown and described.

DESCRIPTION

FIG. 1 is a perspective view of an electronic key storage and programming box, showing my new design, with the door of the key box in an open position;

FIG. 2 is a front elevation view of the key box shown in FIG. 1 with the door of the key box in a closed position;

FIG. 3 is a right side view of the key box shown in FIG. 1 with the door of the key box in a closed position, wherein the left side view of the key box shown in FIG. 1 is a mirror image of FIG. 3;

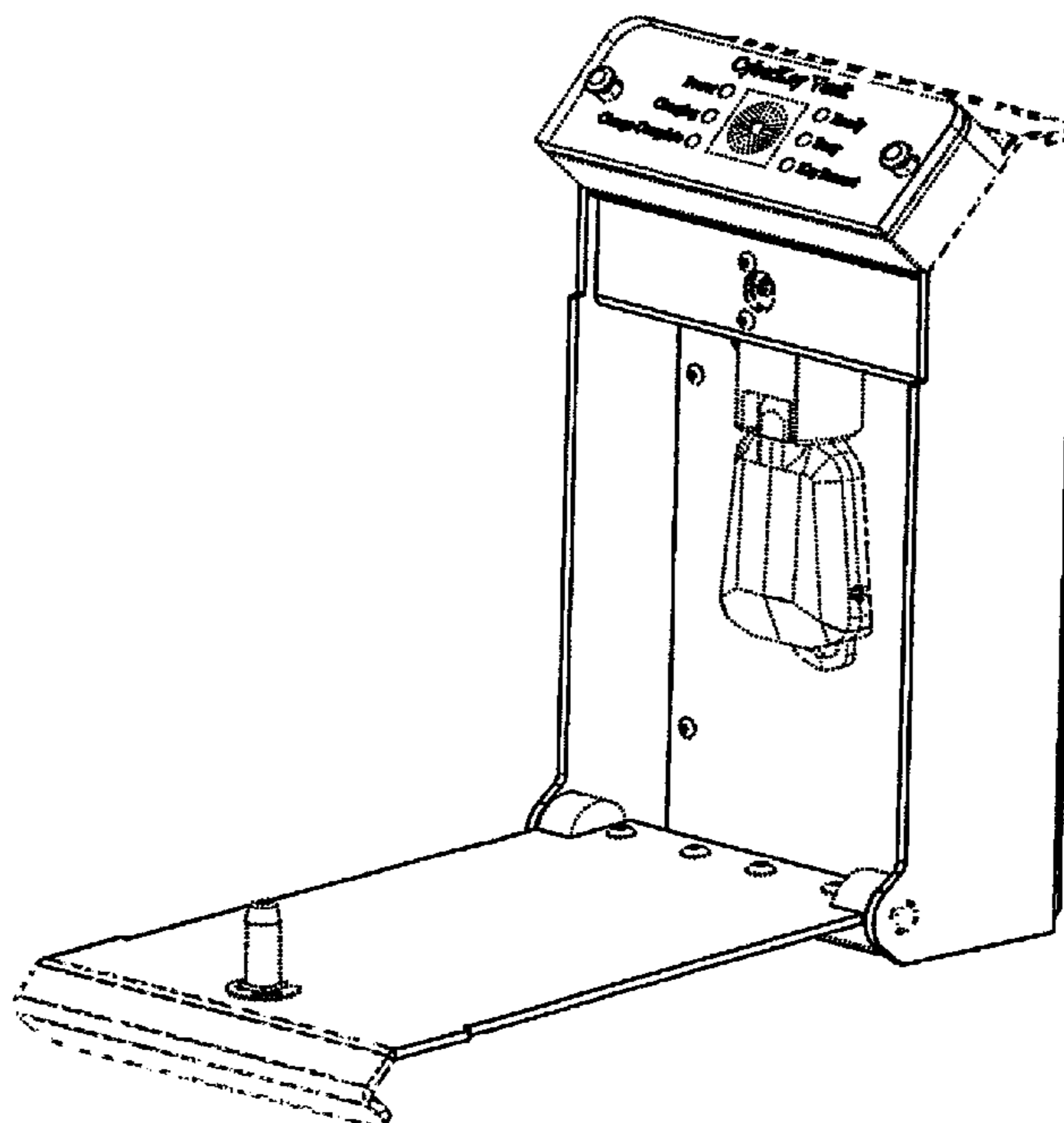
FIG. 4 is a top plan view of the key box shown in FIG. 1 with the door of the key box in a closed position;

FIG. 5 is a rear elevation view of the key box shown in FIG. 1; and,

FIG. 6 is a bottom plan view of the key box shown in FIG. 1 with the door of the key box in a closed position.

The broken-line disclosure in the views is understood to represent portions of the article in which the claimed design is embodied, but which form no part of the claimed design.

1 Claim, 6 Drawing Sheets



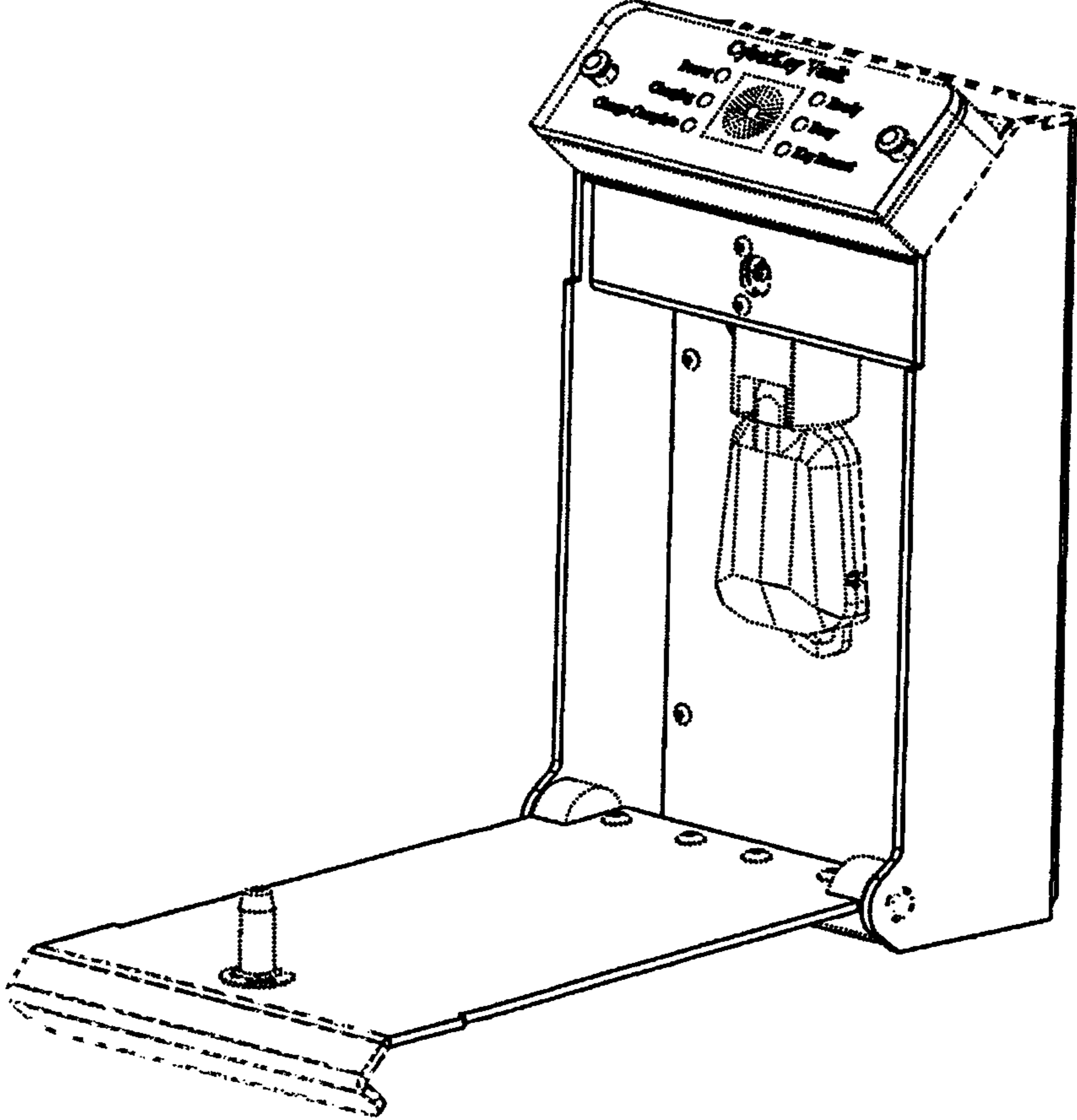


Fig. 1

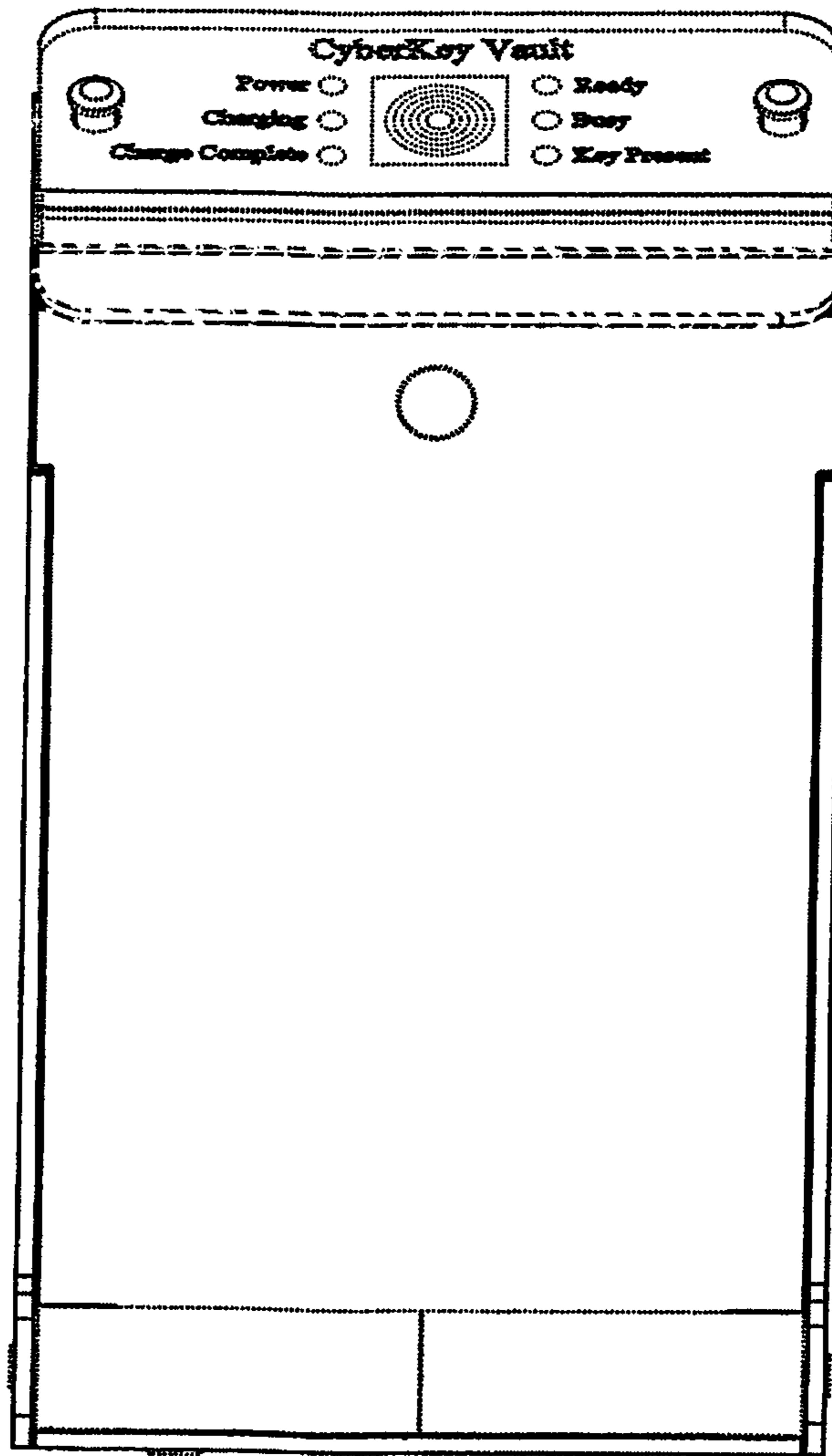


Fig. 2

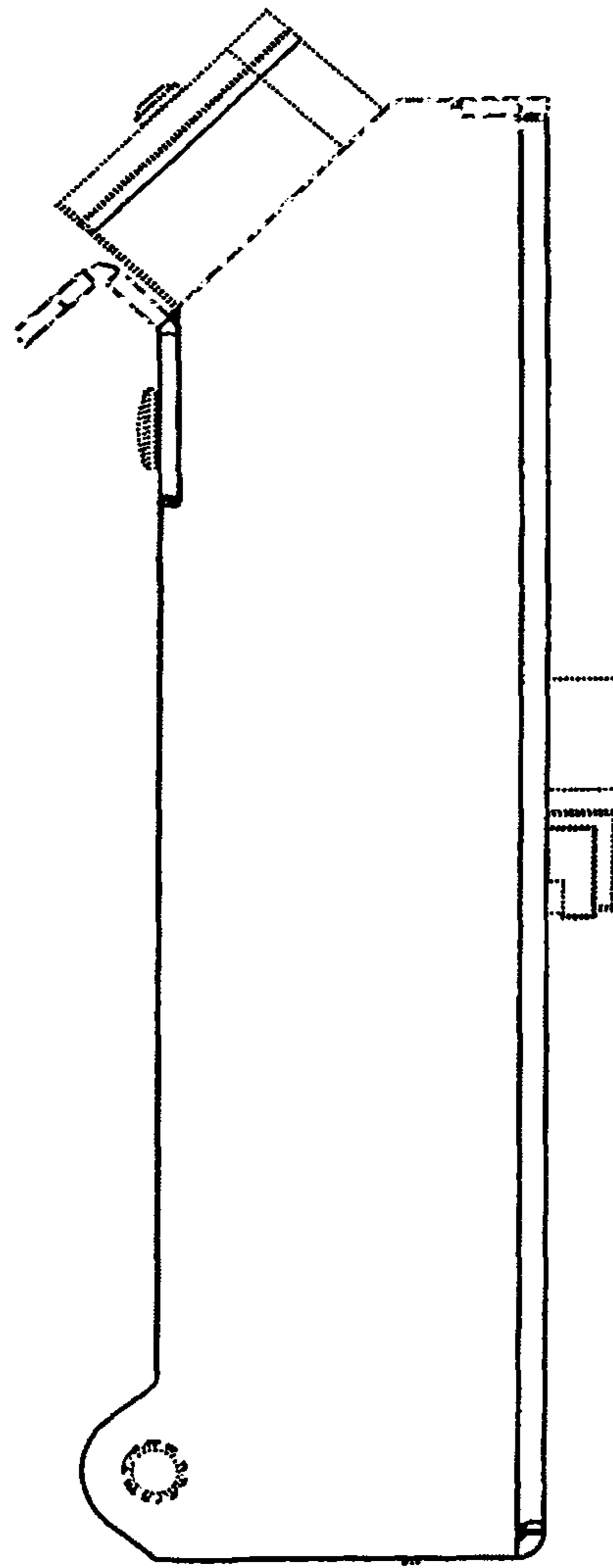


Fig. 3

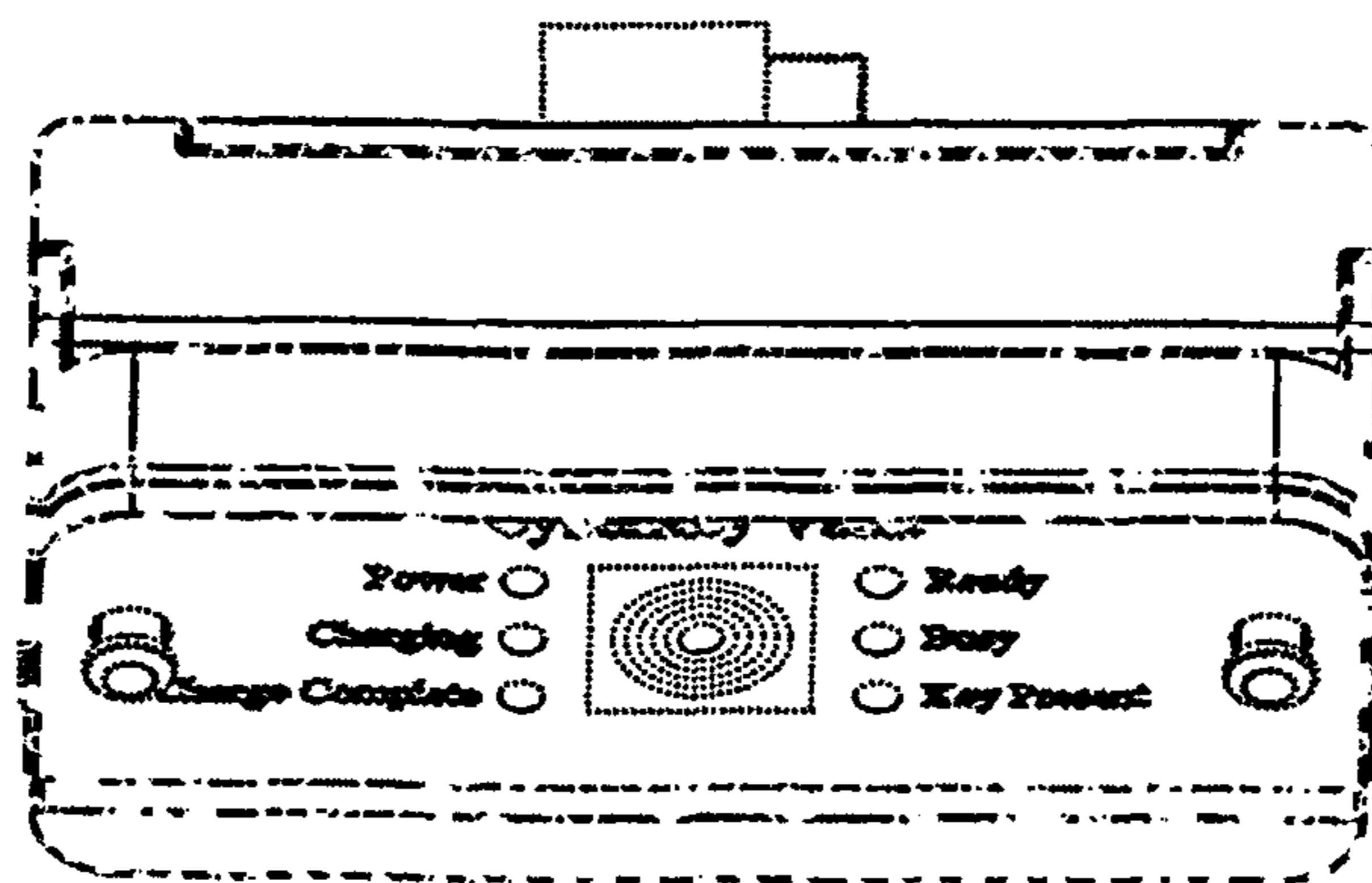


Fig. 4

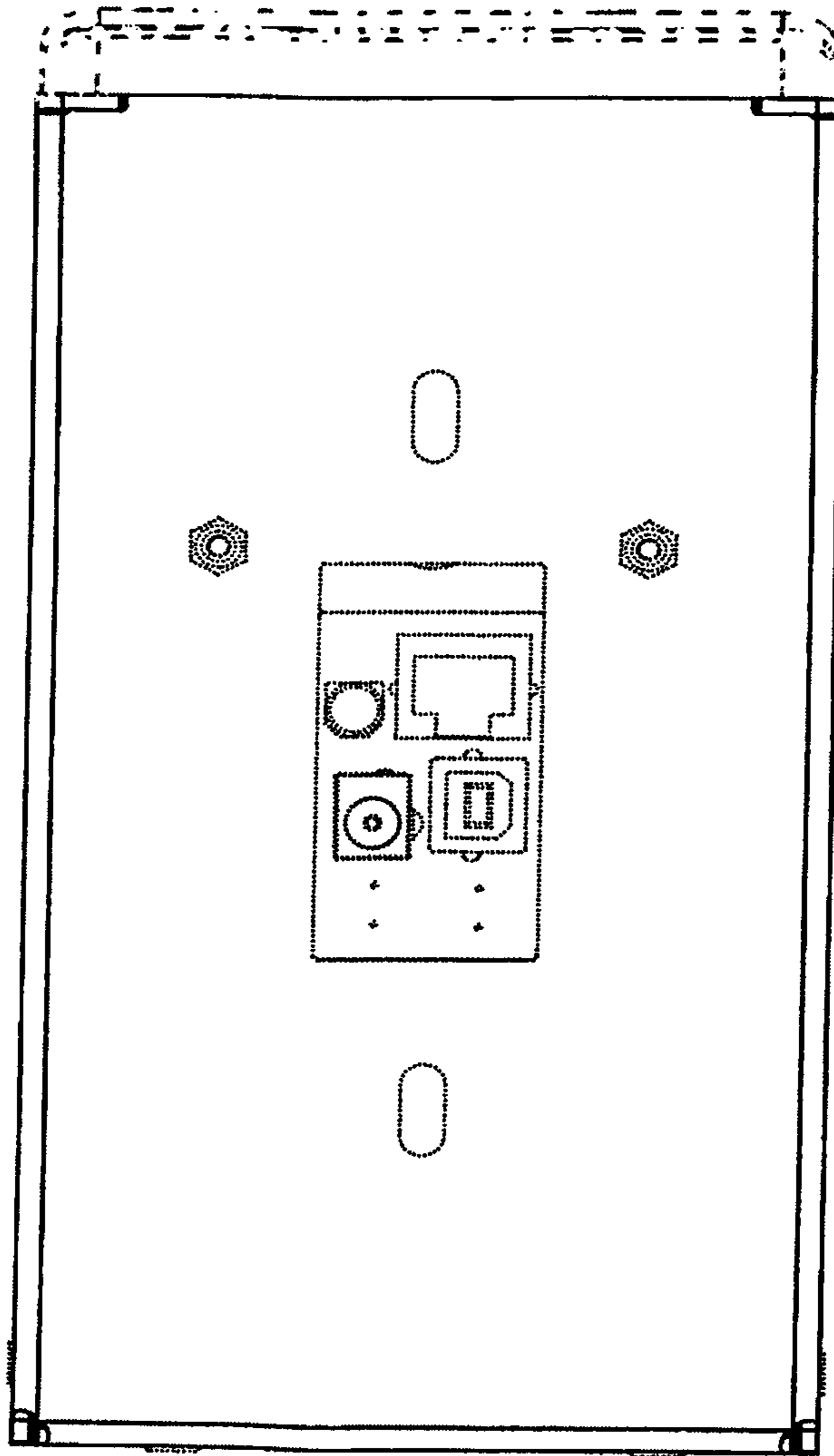


Fig. 5

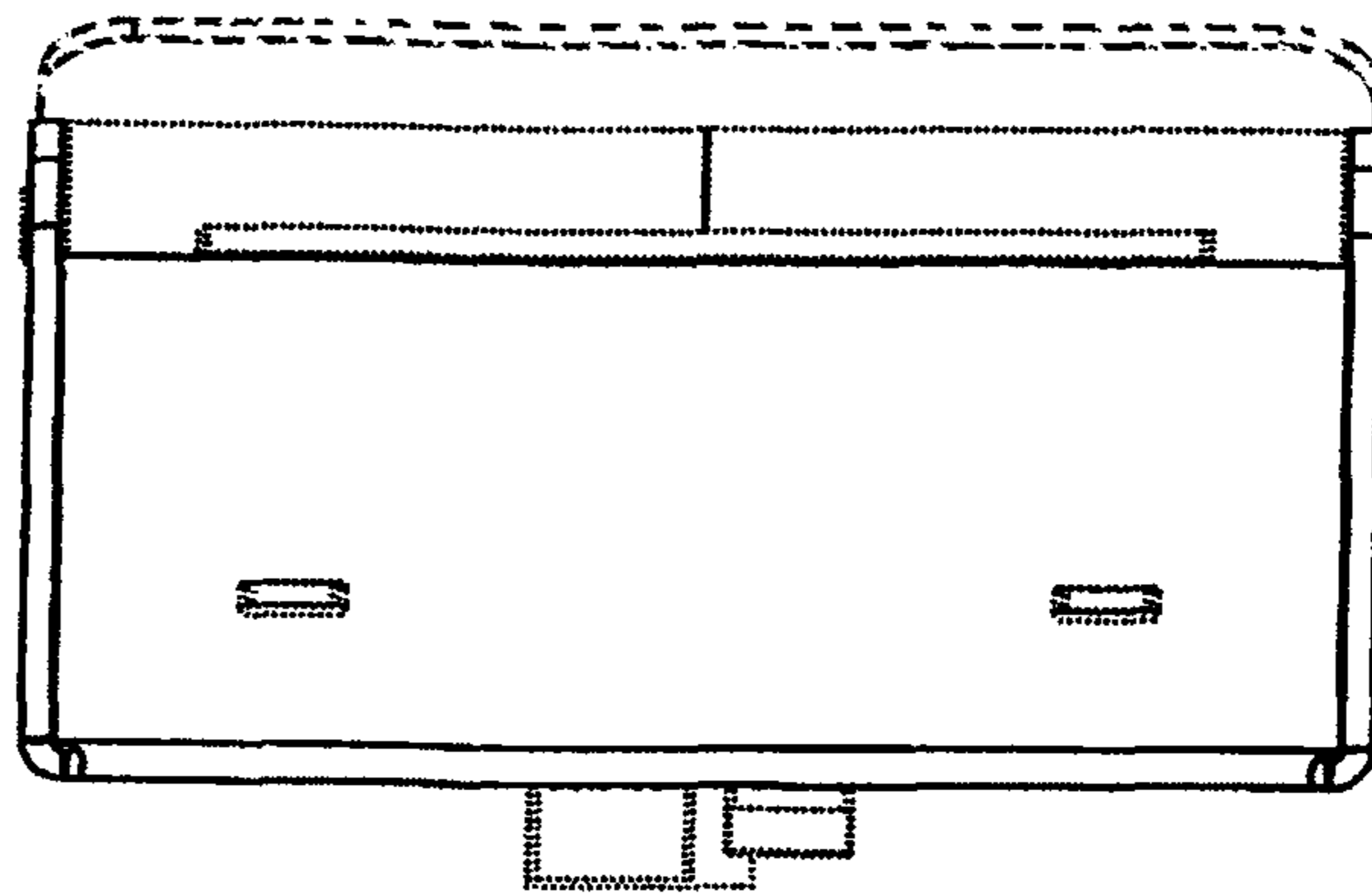


Fig. 6