



US00D679925S

(12) **United States Design Patent**
O'Brien et al.

(10) **Patent No.:** **US D679,925 S**

(45) **Date of Patent:** **** Apr. 16, 2013**

(54) **COMBINATION TOILET PAPER HOLDER
AND GRAB BAR**

(76) Inventors: **John O'Brien**, Ottawa (CA); **Donald
Andrew Nelson Ed**, Ottawa (CA);
Edward Martin Thomas, Russell (CA);
Sunil Achia, Ottawa (CA)

(**) Term: **14 Years**

(21) Appl. No.: **29/421,186**

(22) Filed: **Jun. 11, 2012**

(51) **LOC (9) Cl.** **20-02**

(52) **U.S. Cl.**
USPC **D6/519**; D6/527; D8/315

(58) **Field of Classification Search** D6/518-52,
D6/562, 546-550, 527, 532, 53, 535; D8/300,
D8/315-320; D23/271, 303, 304; 211/13.1,
211/71.01, 86.01, 87.01, 88.01, 88.04, 90.01,
211/123, 126.1, 133.1, 134; 248/220.1, 235,
248/251, 309.1

See application file for complete search history.

(56) **References Cited**

U.S. PATENT DOCUMENTS

D132,261 S * 5/1942 Sanford D8/316
D165,532 S * 12/1951 Lind D6/533

D330,667 S * 11/1992 Scholl D8/315
D390,392 S * 2/1998 Odom D6/519
D566,249 S * 4/2008 Graves et al. D23/304
D631,270 S * 1/2011 O'Brien et al. D6/519
D631,273 S * 1/2011 O'Brien et al. D6/524
D666,036 S * 8/2012 Blakley D6/519

* cited by examiner

Primary Examiner — Brian N Vinson

(57) **CLAIM**

The ornamental design for a combination toilet paper holder and grab bar, as shown and described.

DESCRIPTION

FIG. 1 is an exploded perspective view of the combined toilet paper holder and grab bar showing our new design, shown with removable paper holder and grab bar separated; FIG. 2 is a perspective view of the combined toilet paper holder and grab bar showing our new design, shown with removable paper holder installed on the grab bar; FIG. 3 is a top plan view thereof; FIG. 4 is a front elevation view thereof; FIG. 5 is a rear elevation view thereof; FIG. 6 is a bottom plan view thereof; and, FIG. 7 right side plan view thereof, the left side being a mirror image of that show.

1 Claim, 2 Drawing Sheets

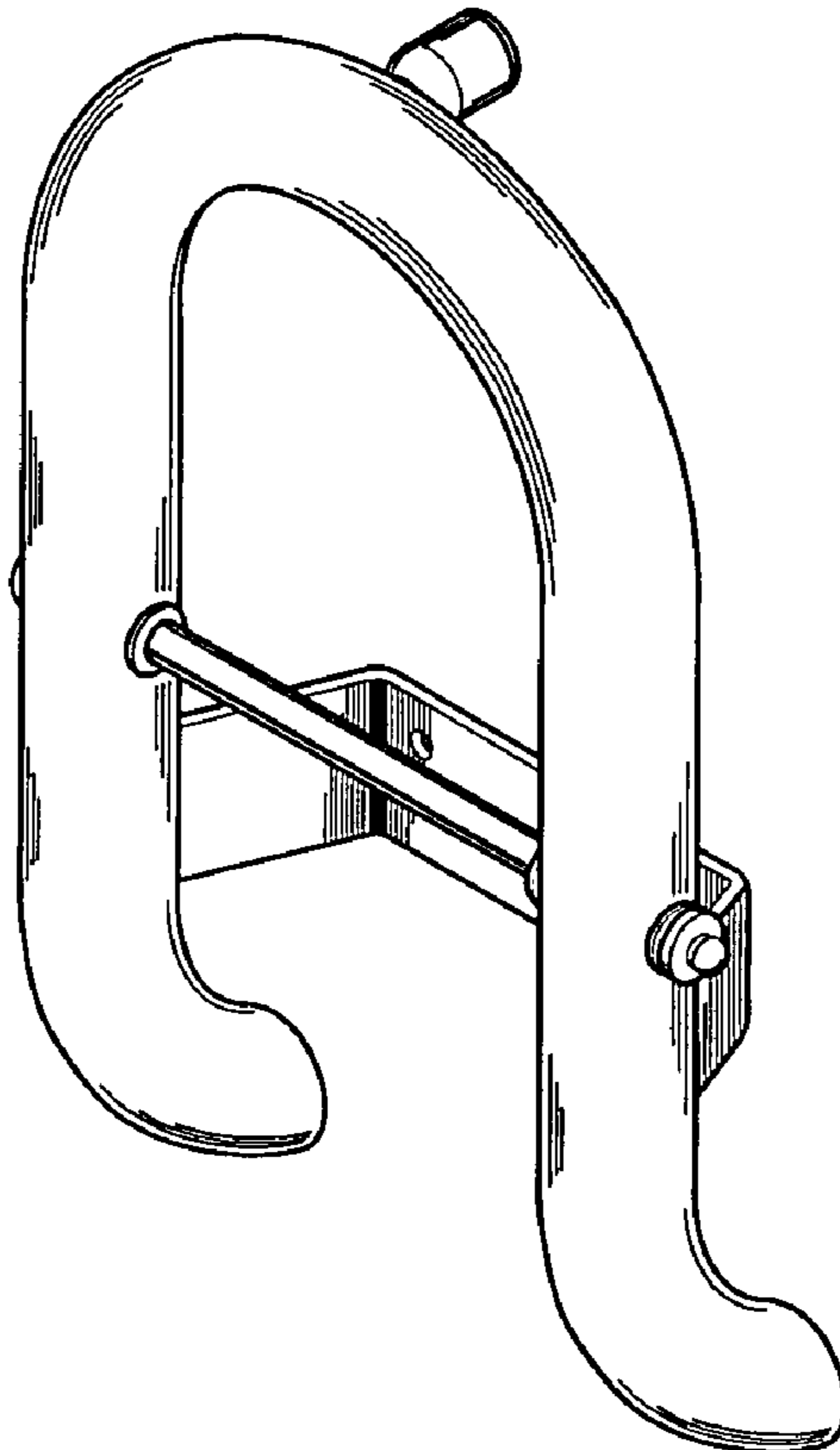


FIG. 1

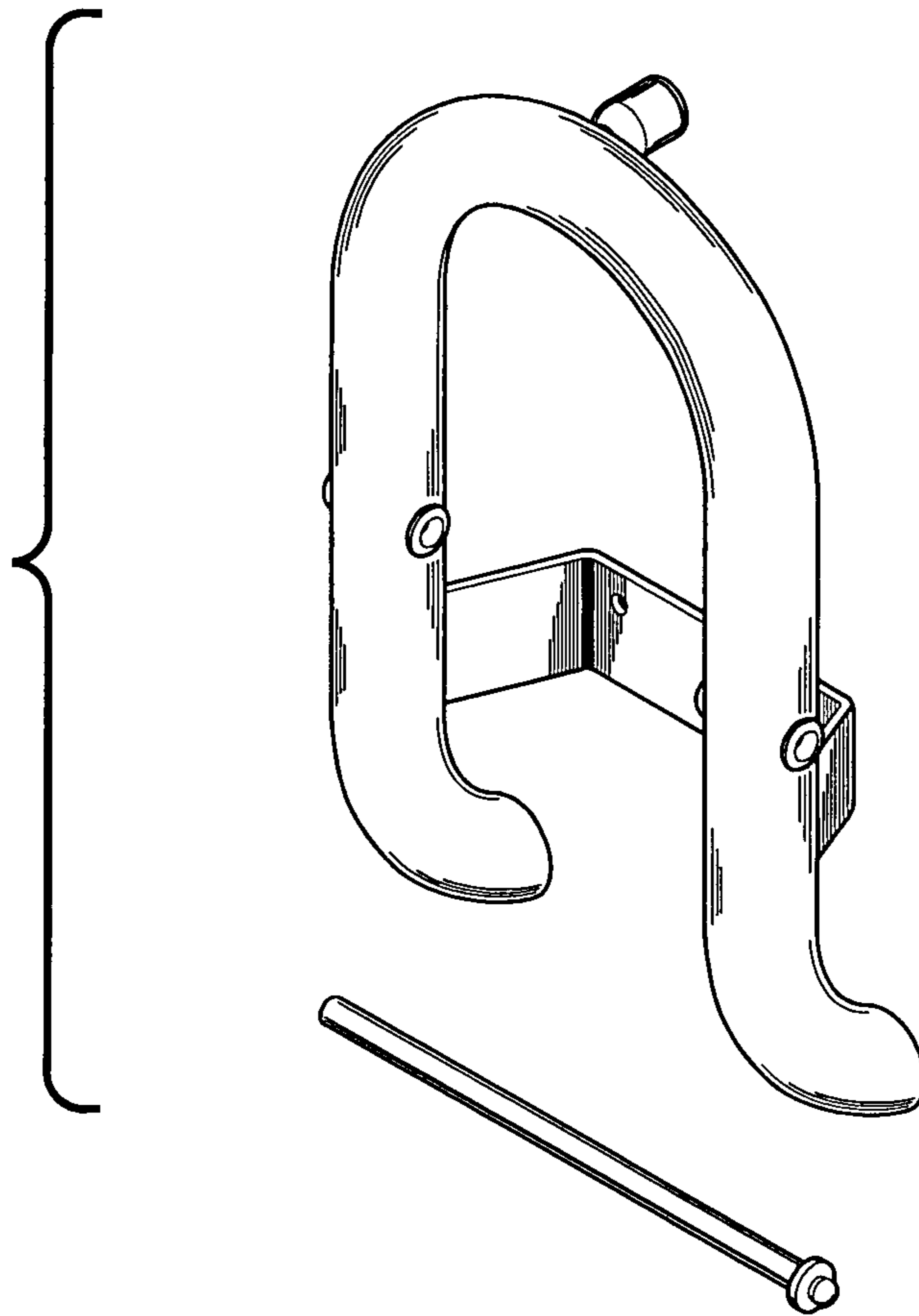


FIG. 2

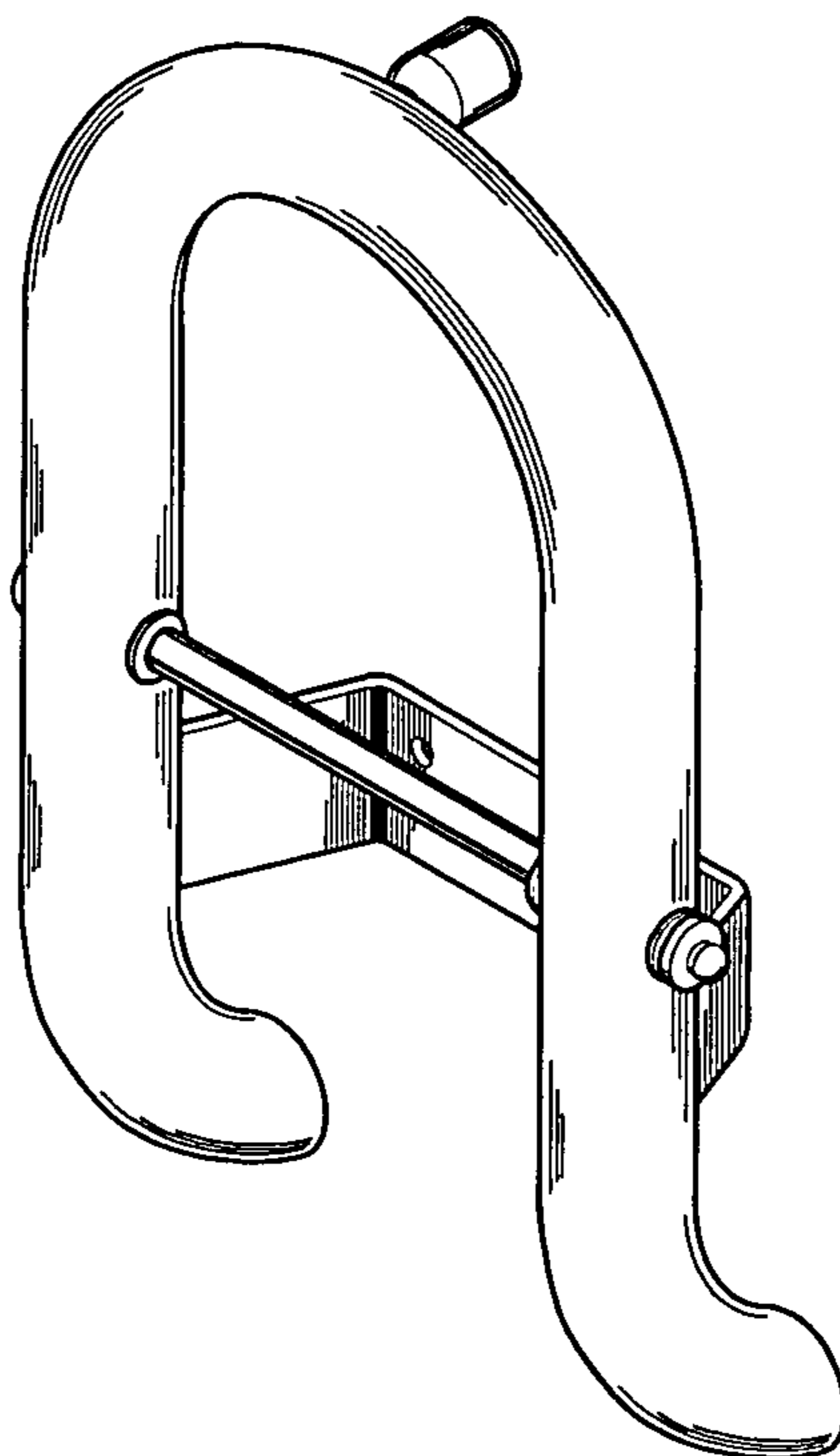


FIG. 3

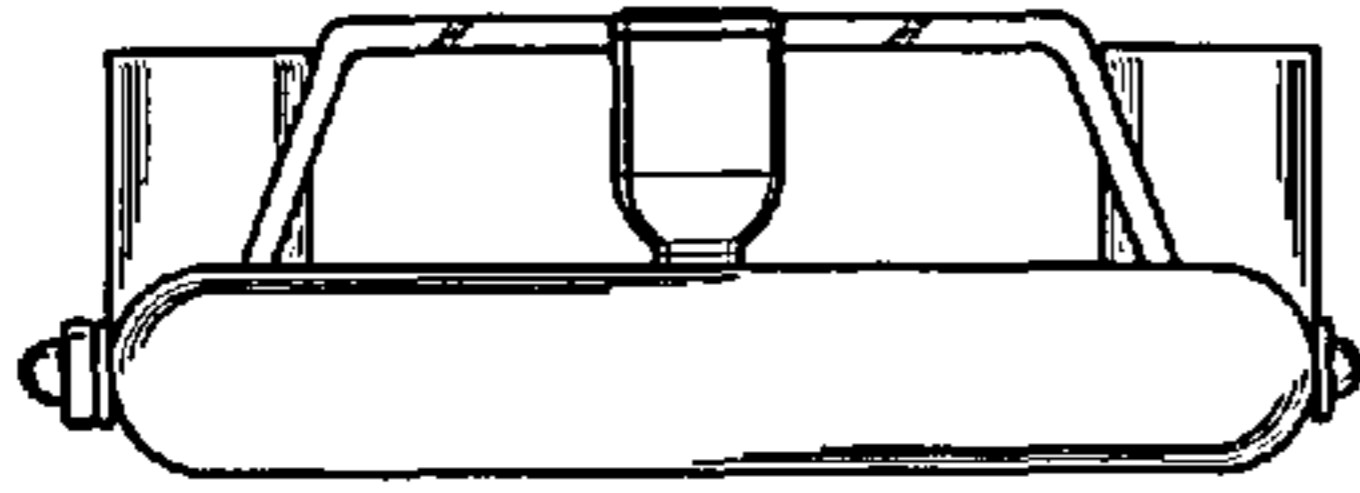


FIG. 4

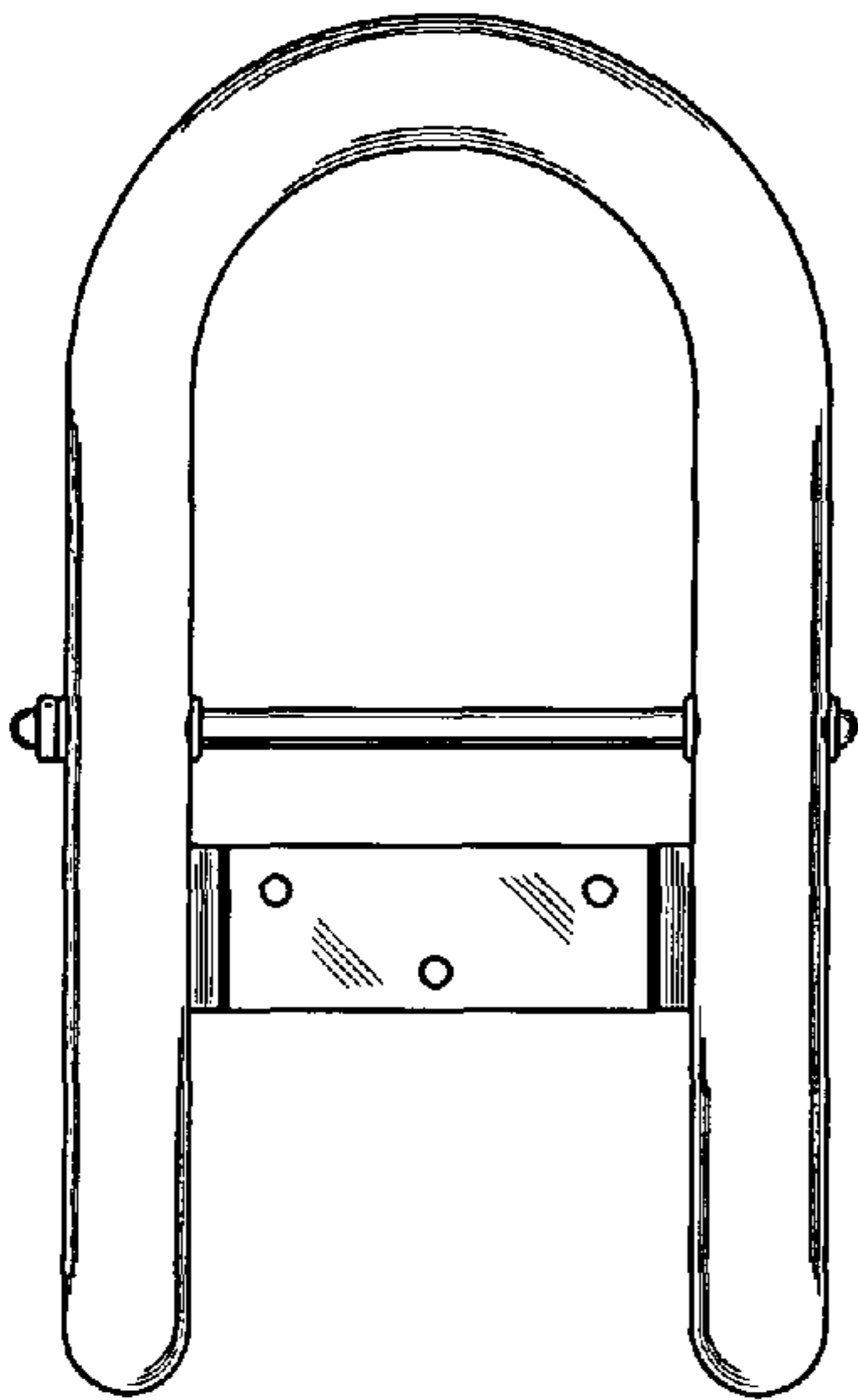


FIG. 5

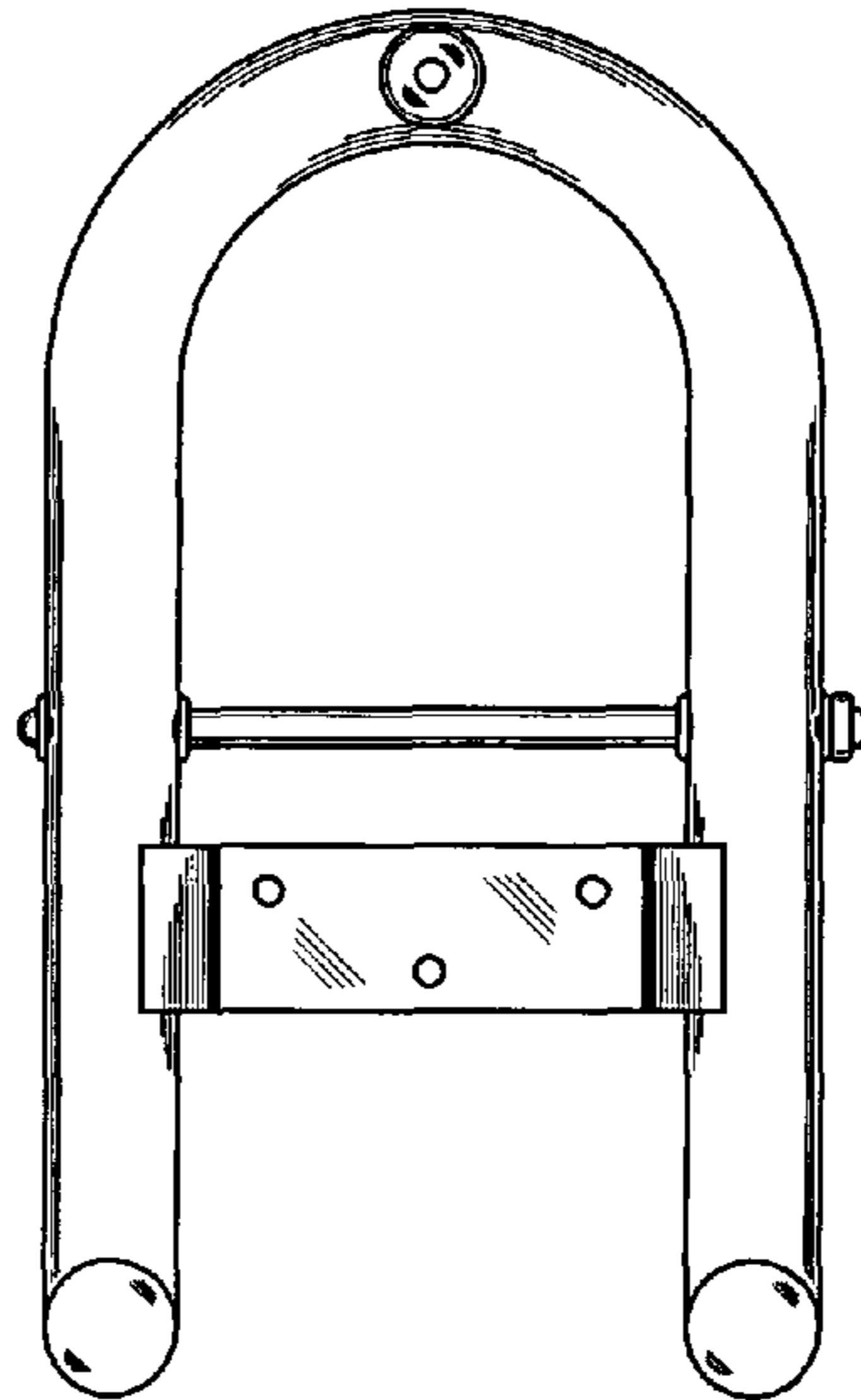


FIG. 7

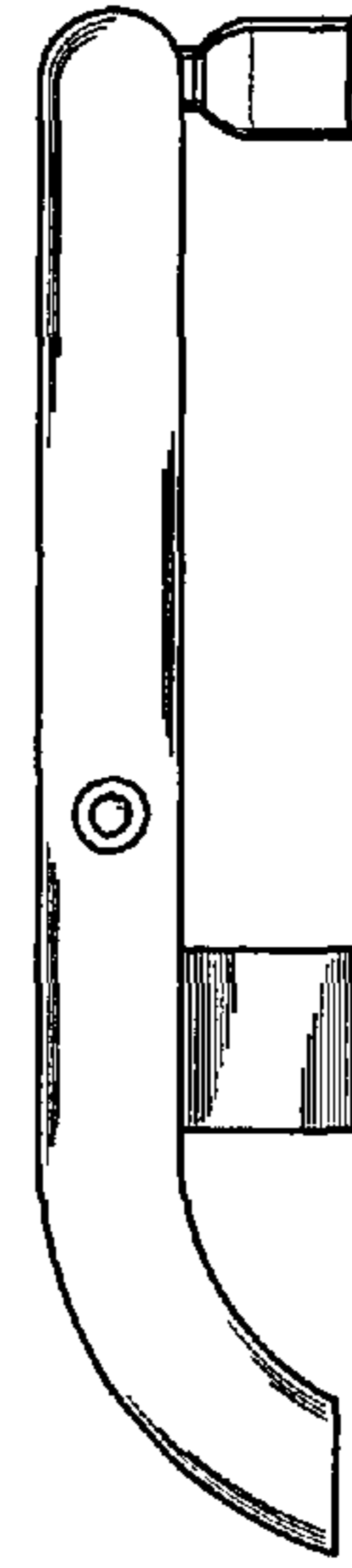


FIG. 6

