



US00D679924S

(12) **United States Design Patent**
Klein et al.

(10) **Patent No.:** **US D679,924 S**
(45) **Date of Patent:** **** Apr. 16, 2013**

(54) **LOCKING SHELF**

(75) Inventors: **Richard B. Klein**, Overland Park, KS (US); **Mark A. Etter**, Independence, MO (US); **Todd M. Pickrell**, Stroudsburg, PA (US)

(73) Assignee: **Lynk, Inc.**, Lenexa, KS (US)

(**) Term: **14 Years**

(21) Appl. No.: **29/432,222**

(22) Filed: **Sep. 14, 2012**

(51) **LOC (9) Cl.** **06-04**

(52) **U.S. Cl.**
USPC **D6/511; D6/566**

(58) **Field of Classification Search** D6/524,
D6/525, 540, 553, 567, 574, 546, 549, 566,
D6/511, 465; 180/28, 29; 211/13.1, 42,
211/71.01, 81.01, 88.03, 90.01, 90.03, 126.1,
211/133.5, 133.6, 134, 182, 162, 181.1

See application file for complete search history.

(56) **References Cited**

U.S. PATENT DOCUMENTS

1,947,825	A	2/1934	Brooks	
2,633,996	A	4/1953	Litchfield	
3,289,614	A *	12/1966	Frazier	108/91
3,289,615	A	12/1966	Marschak	
4,444,320	A *	4/1984	Chap	211/134
4,732,284	A *	3/1988	Remmers	211/181.1
5,086,936	A *	2/1992	Remmers	211/162
5,377,598	A	1/1995	Kirchner et al.	
5,499,584	A	3/1996	Taylor	
D485,092	S *	1/2004	Rosen	D6/465
D551,884	S *	10/2007	Remmers	D6/511
7,516,853	B1	4/2009	Murillo, Jr.	
D635,379	S	4/2011	Klein et al.	
2008/0074021	A1	3/2008	Croft et al.	

OTHER PUBLICATIONS

Under Shelf Wrap Holder, printed from internet on Feb. 24, 2012 at www.spacesavers.com/Storage/Shelving-Shelf-Organizers/Under-Shelf-Wrap Holder. (1 pg).

Allsop, Camden TV Stand, printed from internet on Feb. 23, 2012 at www.allsop.com/monitor-stands/camden-tv-stand-walnut/. (1 pg).

Undershelf Mesh Basket—Slides on Shelf, printed from internet on Dec. 6, 2012 at www.bing.com/images/search?q=shelf+slide+on+basket&view=detail&id=3FA198. (1 pg).

(Continued)

Primary Examiner — Brian N Vinson

(74) Attorney, Agent, or Firm — Stinson Morrison Hecker LLP

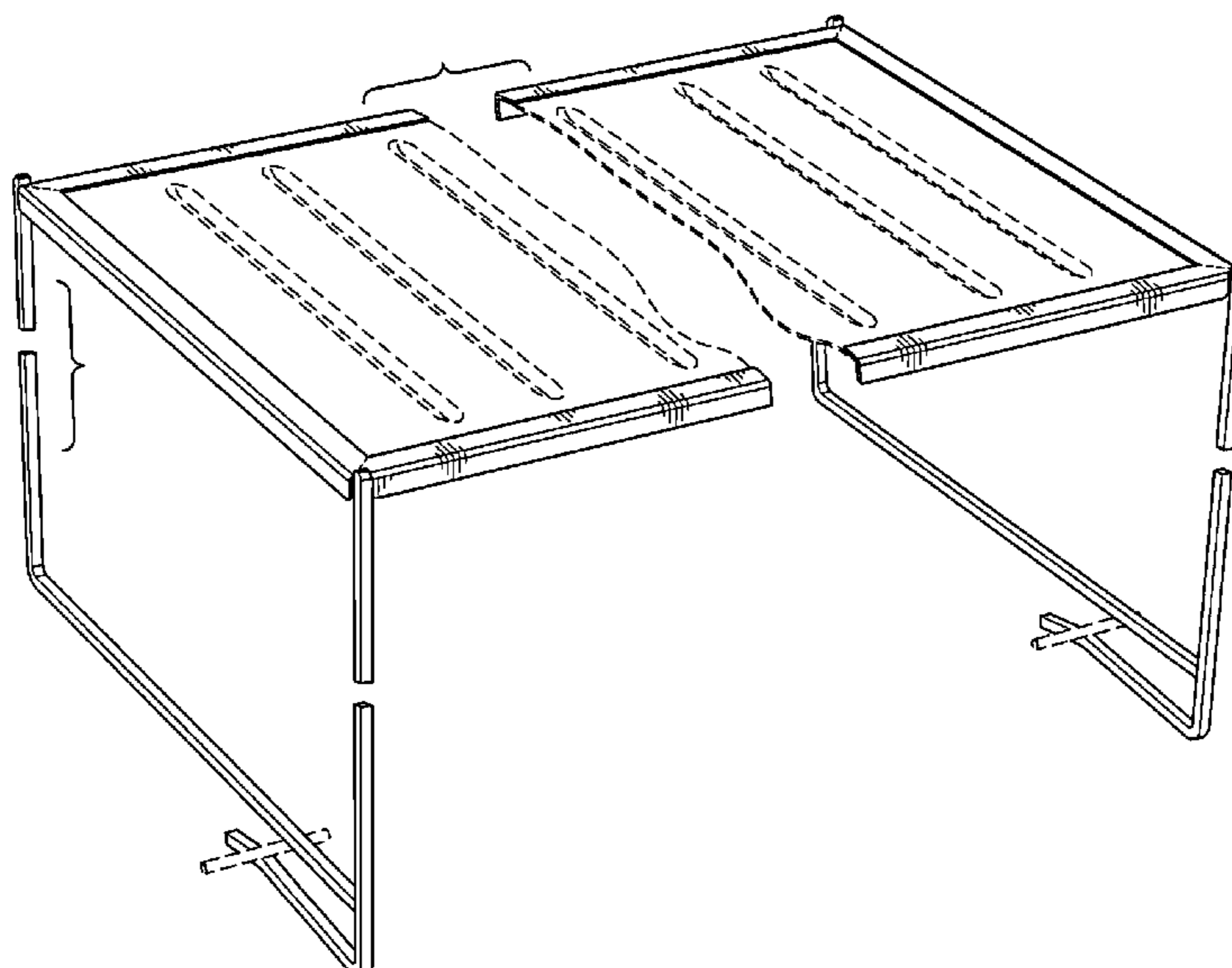
(57) **CLAIM**

The ornamental design for a locking shelf, as shown and described.

DESCRIPTION

FIG. 1 is a front perspective view of the locking shelf; FIG. 2 is a left side elevational view of the locking shelf of FIG. 1; FIG. 3 is a right side elevational view of the locking shelf of FIG. 1; FIG. 4 is a top plan view of the locking shelf of FIG. 1; FIG. 5 is a bottom plan view of the locking shelf of FIG. 1; FIG. 6 is a front elevational view of the locking shelf of FIG. 1; and, FIG. 7 is a rear elevational view of the locking shelf of FIG. 1. The broken lines shown in the drawings form no part of the claimed design. The separations and brackets indicate that the precise height and width of the design is not claimed.

1 Claim, 4 Drawing Sheets



OTHER PUBLICATIONS

Lynk Shelf Divider—Chrome, printed from internet on Mar. 15, 2012 at www.google.com/products/catalog?q=lynk+shelf+divider&rls=com. Offered for sale more than one year prior to the Sep. 14, 2012 filing date of this application. (2 pgs).

HDS, Expandable Shelf Chrome Plated, printed from internet on Mar. 27, 2012 at www.amazon.com/SS10106-Expandable-Shelf-Chrome-Plated/dp/B20052DXDUO/ref=sr_1_50?s=home-garden&ie=UTF8&qid=1332884096&sr=1-50. (3 pgs).

InterDesign, York Lyra Expandable Shelf, Bronze, printed from the internet on Mar. 27, 2012 at www.amazon.com/InterDesign-York-Expandable-Shelf-Bronze/dp/B0043XBE9Q/ref=sr_1_7?s=home-garden&ie=UTF8&qid=1332883509&sr=1-7. Offered for sale more than one year prior to the Sep. 14, 2012 filing date of this application. (3 pgs).

Rubbermaid, Small Expanding Helper Shelf 15" Lx6" Wx6" H Expand, printed from the internet on Mar. 27, 2012 at www.amazon.com/Small-Expanding-Helper-Shelf-Expand/dp/B004BAKERO/ref=sr_1_47?s=home-garden&ie=UTF8&qid=1332884078&sr=1-47. (3 pgs).

Seville Classics, SHE14052 Expandable Kitchen Counter Shelf, printed from the internet on Mar. 27, 2012 at www.amazon.com/Seville-Classics-SHE14052-Expandable-Kitchen/dp/B002ZNJHZE/ref=sr_1_1?s=home-garden&ie=UTF8&qid=1332883509&sr=1-1. Offered for sale more than one year prior to the Sep. 14, 2012 filing date of this application. (4 pgs).

Bed Bath & Beyond, Metal Mesh Expandable Cabinet Shelf, printed from the internet on Mar. 15, 2012 at www.bedbathandbeyond.com/product.asp?SKU=18748860. (2 pgs).

InterDesign, York Lyra Expandable Shelf, Chrome/Silver, printed from the internet on Mar. 27, 2012 at www.amazon.com/InterDesign-Expandable-Shelf-Chrome-Silver/dp/B0052WG334/ref=sr_1_6?s=home-garden&ie=UTF8&qid=1332883509&sr=1-6. Offered for sale more than one year prior to the Sep. 14, 2012 filing date of this application. (3 pgs).

Kennedy International Expandable Cabinet Shelf, printed from the internet on Mar. 27, 2012 at www.amazon.com/Kennedy-International-Expandable-Cabinet-Shelf/dp/B0071HL9JY/ref=sr_1_38?s=home-garden&ie=UTF8&qid=1332884014&sr=1-38. (3 pgs).

Rubbermaid Inc., 1J2700BLA Large Expandable Wire Helpers Shelf, printed from the internet on Mar. 27, 2012 at www.amazon.com/Rubbermaid-1J2700BLA-Large-Expandable-Helpers/dp/B004BAITU/ref=sr_1_44?s=home-garden&ie=UTF8&qid=1332884050&sr=1-44. (3 pgs).

Bed Bath & Beyond, Medium Cabinet Shelf, printed from the internet on Mar. 15, 2012 at www.bedbathandbeyond.com/product.asp?SKU=12176295. (2 pgs).

Organize.com, Kitchen and Household Helper Shelf, printed from the internet on Mar. 15, 2012 at www.organize.com/kitchen-household-helper-shelf-grayline-housewares.html. (3 pgs).

Organize.com, Large Helper Shelf, printed from the internet on Mar. 15, 2012 at www.organize.com/large-helper-shelf-grayline-housewares.html?green=82C58DC1-16EB-594F-B873-44DC96AE8039. (3 pgs).

Walmart, Anchor Hocking 2-Tier Bamboo Corner Shelf, printed from the internet on Mar. 27, 2012 at www.walmart.com/ip/Anchor-Hocking-2-Tier-Bamboo-Corner-Shelf/16507390. Offered for sale more than one year prior to the Sep. 14, 2012 filing date of this application. (2 pgs).

Bed Bath & Beyond, Cabinet Shelf, printed from the internet on Mar. 15, 2012 at www.bedbathandbeyond.com/product.asp?SKU=11197477. (2 pgs).

Organize.com, Linus Rectangular Pantry Shelf, printed from the internet on Mar. 15, 2012 at www.organize.com/linus-rectangular-shelf.html. Offered for sale more than one year prior to the Sep. 14, 2012 filing date of this application. (3 pgs).

Target, Bamboo 3-Tier Corner Shelf, printed from the internet on Mar. 27, 2012 at www.target.com/...CPNG=furniture&adgroup=kitchen+dining2&LNM=Kitchen%20shelf%20organizer&MT=broad&LID=30p348429&KID=6077e322-8431-87a9-7b69-000065638d3a. Offered for sale more than one year prior to the Sep. 14, 2012 filing date of this application. (3 pgs).

Seville Classics, SHE14049 2-Tier Corner Shelf Organizer, printed from the internet on Mar. 27, 2012 at www.amazon.com/Seville-Classics-SHE14049-2-Tier-Organizer/dp/B002QCHSZA/ref=sr_1_12?s=home-garden&ie=UTF8&qid=1332883509&sr=1-12. Offered for sale more than one year prior to the Sep. 14, 2012 filing date of this application. (4 pgs).

Organize.com, Chrome Cabinet Shelf Organizer, printed from the internet on Mar. 15, 2012 at www.organize.com/rectangular-wire-shelf-chrome.html. Offered for sale more than one year prior to the Sep. 14, 2012 filing date of this application. (3 pgs).

Bed Bath & Beyond, Metal Mesh Cabinet Shelf, printed from the internet on Mar. 15, 2012 at www.bedbathandbeyond.com/product.asp?SKU=18748878. (2 pgs).

Schulte Adjustable Shelf, White, printed from the internet on Mar. 27, 2012 at www.amazon.com/Schulte-2313171111-Adjustable-Shelf-White/dp/B0030M17HA/ref=sr_1_4?s=home-garden&ie=UTF8&qid=1332883509&sr=1-4. (3 pgs).

The Container Store, Photograph of Metal Wire Shelf. Copyright 2006 (2 pgs).

U.S. Appl. No. 13/615,948, Klein et al., filed Sep. 14, 2012.

* cited by examiner

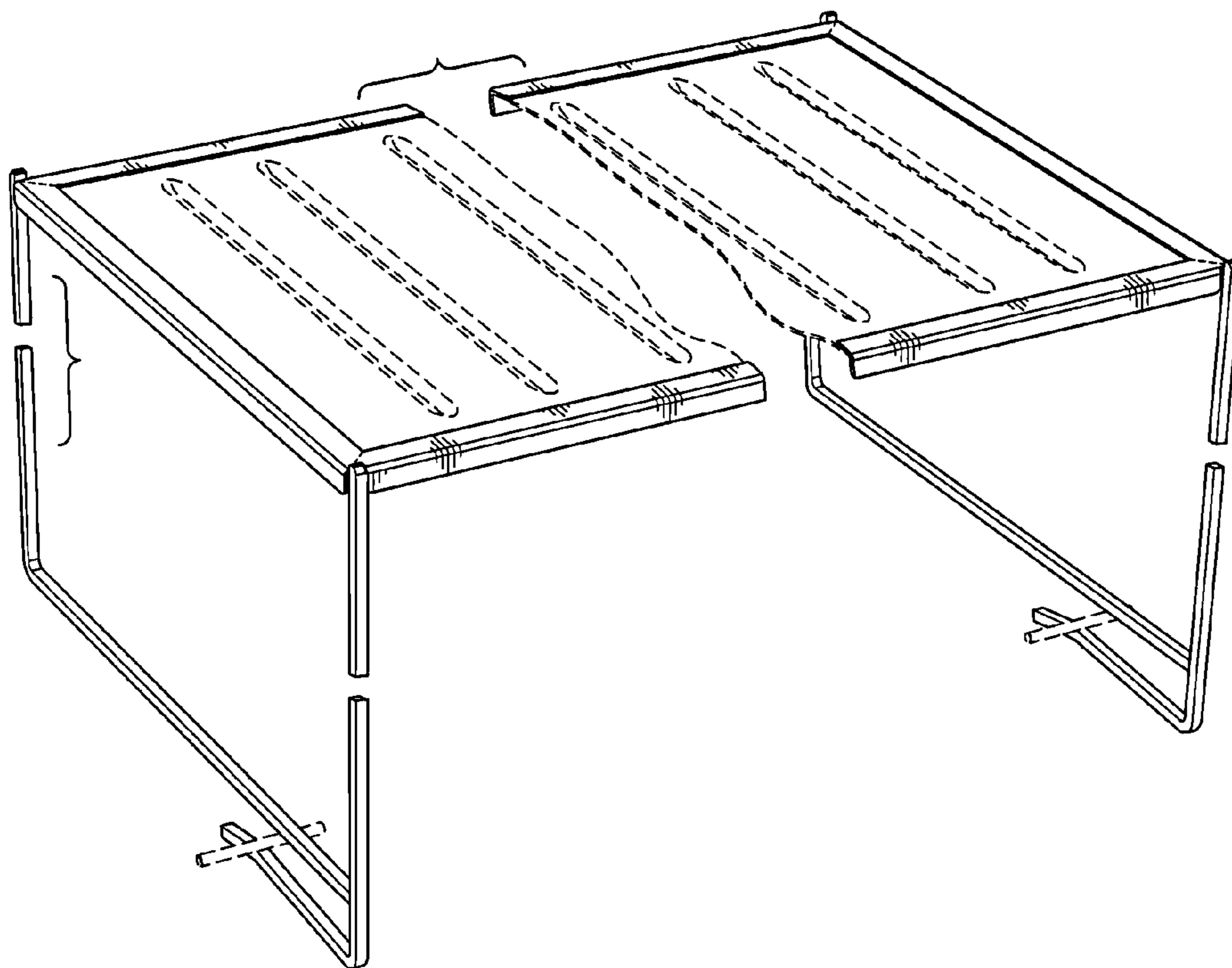


FIG. 1

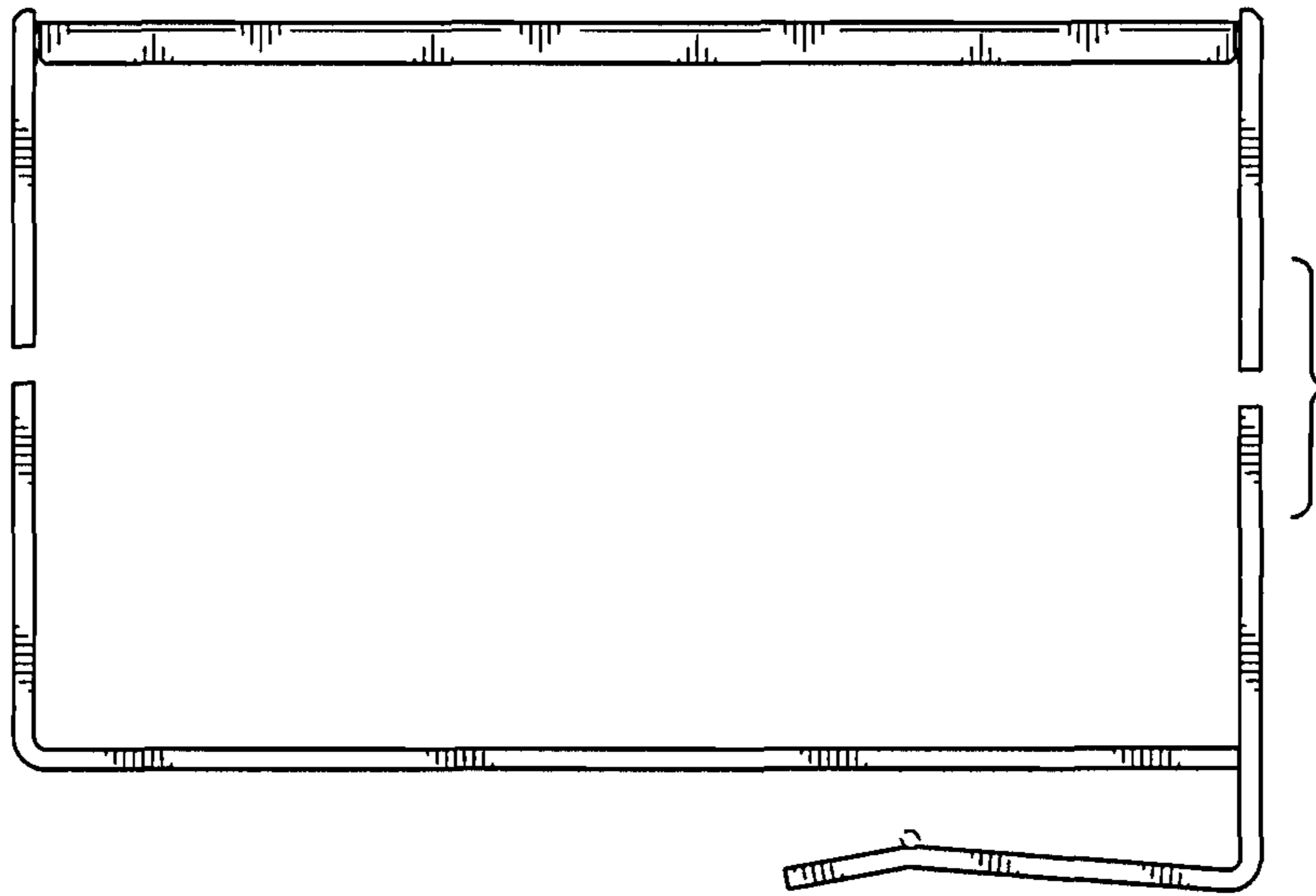


FIG. 2

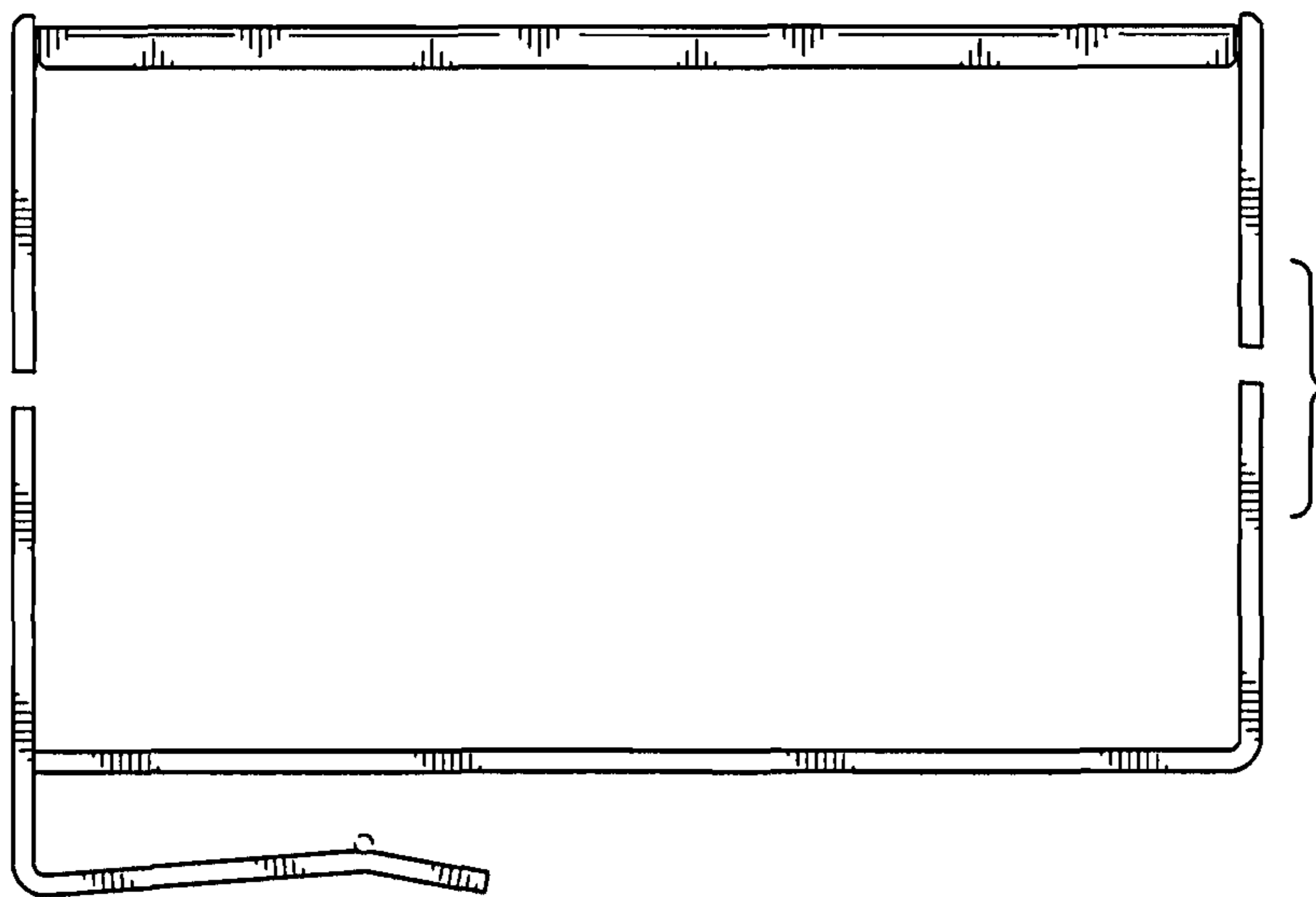


FIG. 3

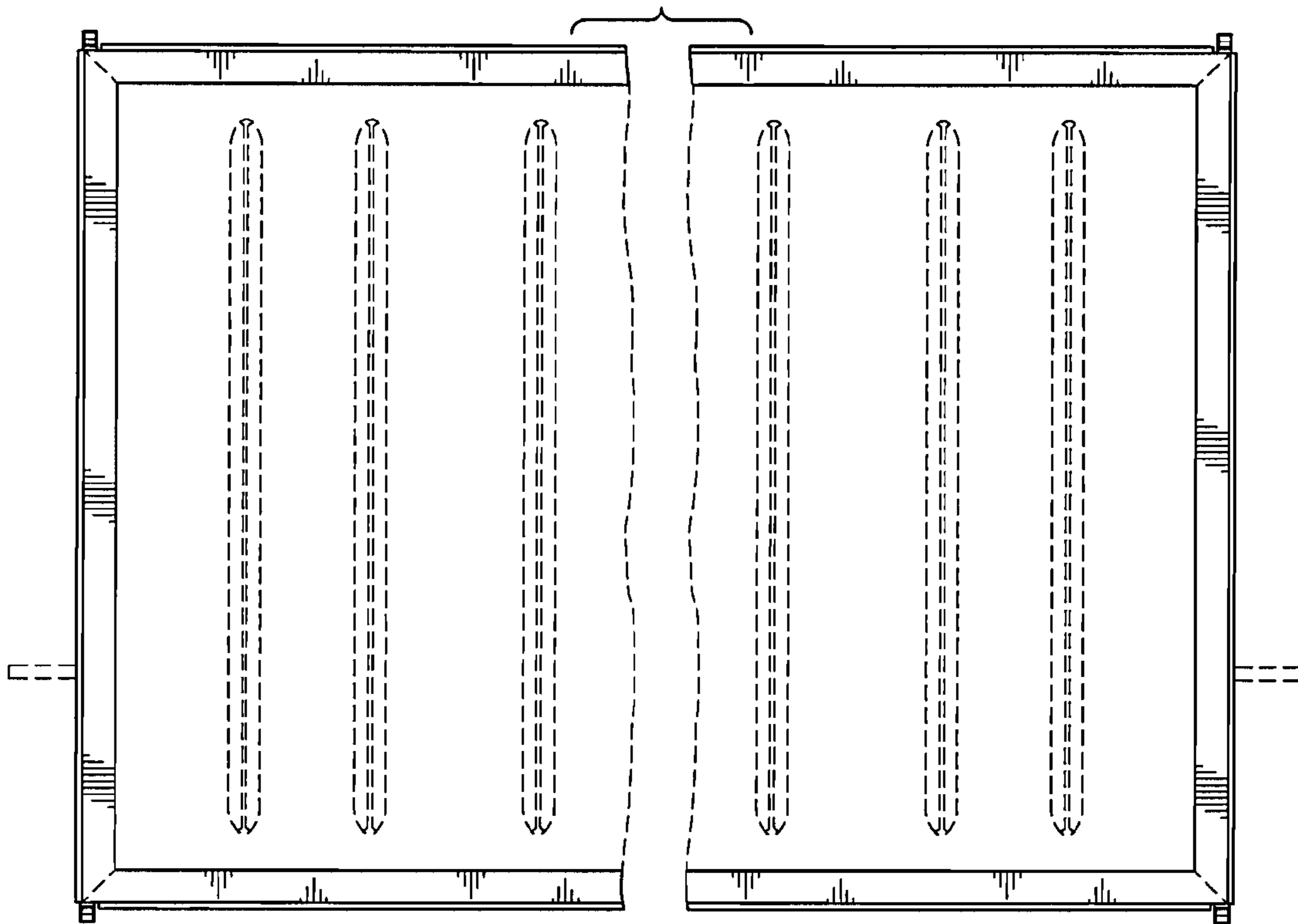


FIG. 4

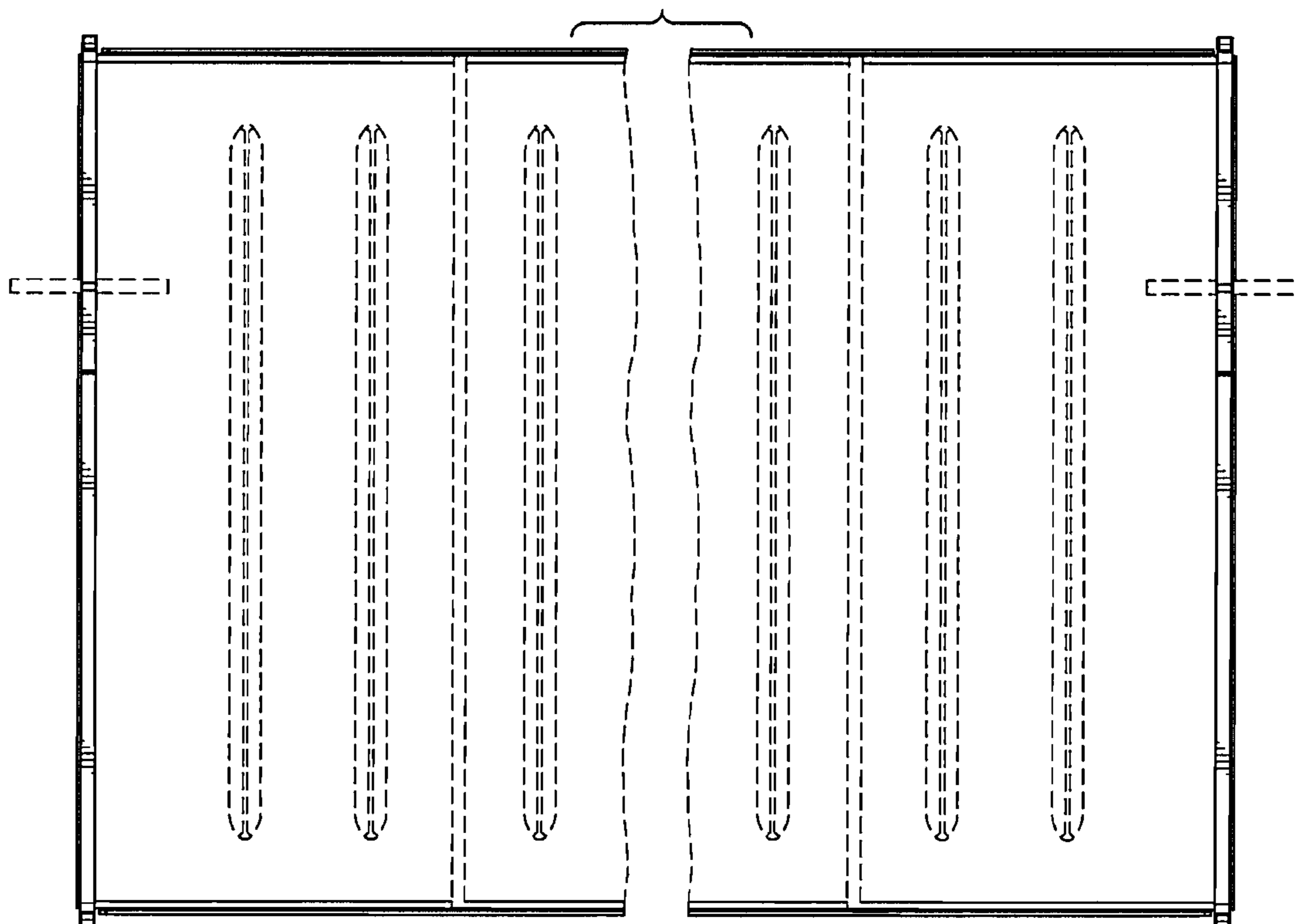


FIG. 5

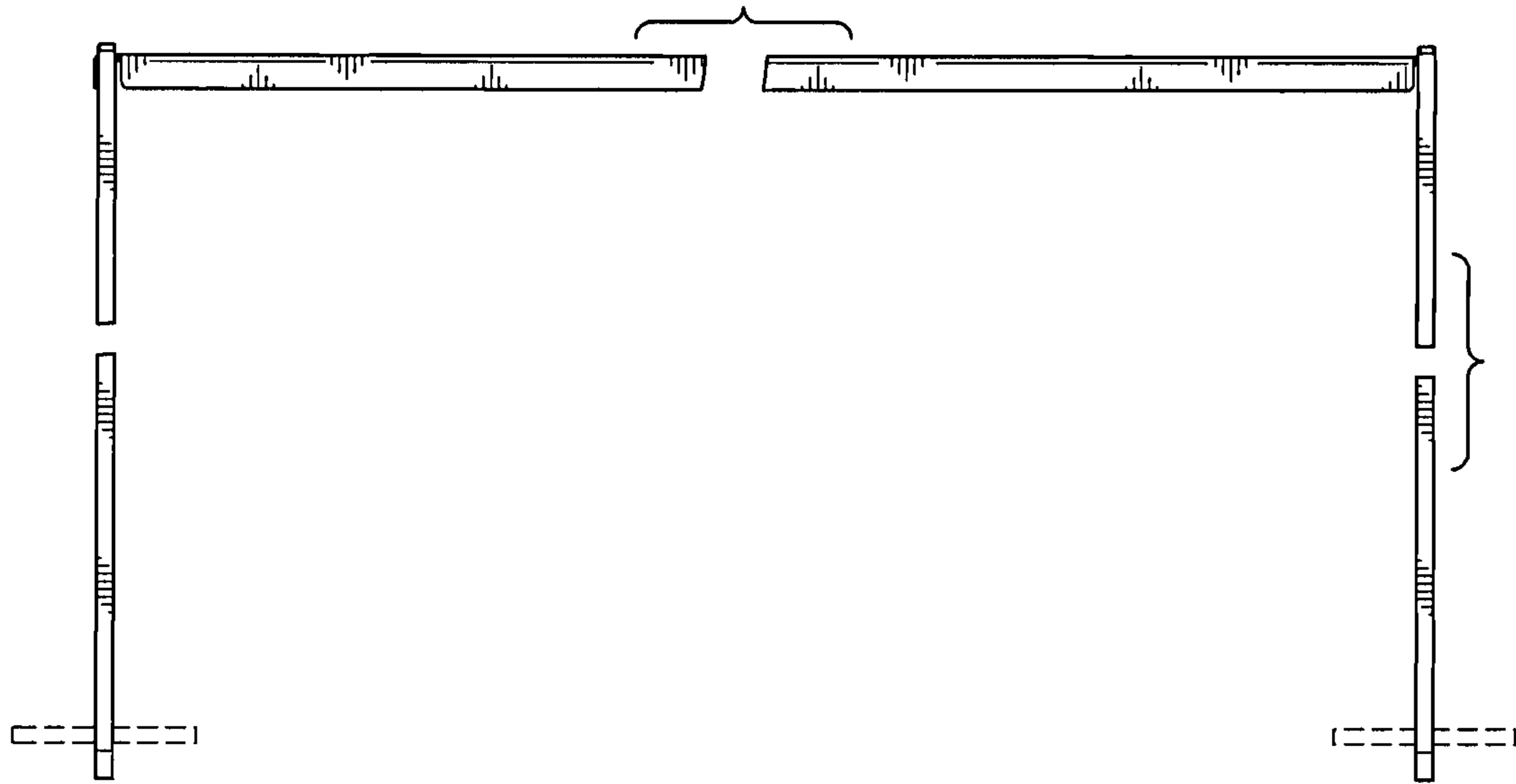


FIG. 6

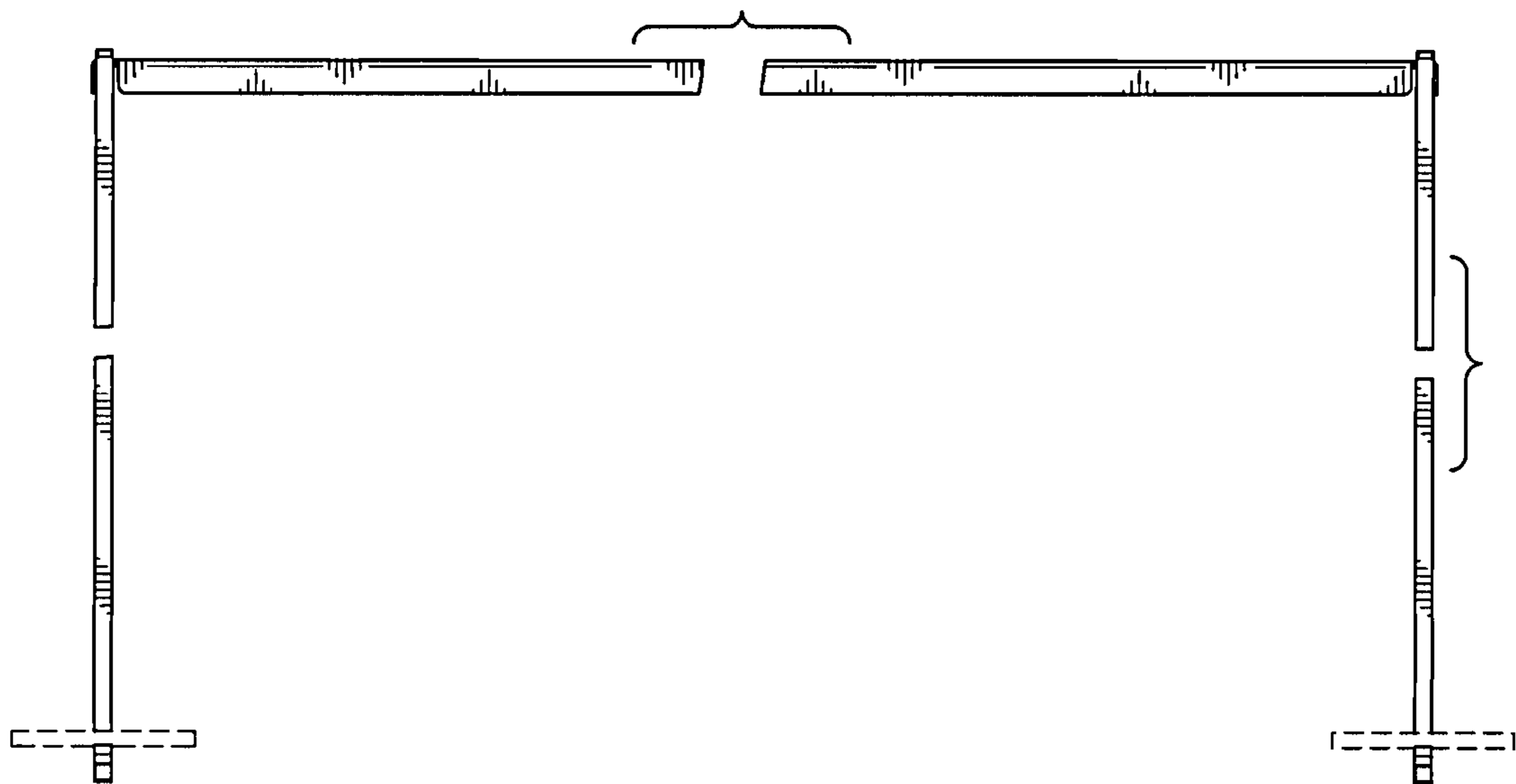


FIG. 7