



US00D679923S

(12) **United States Design Patent**
Corcorran et al.

(10) **Patent No.:** **US D679,923 S**

(45) **Date of Patent:** **** Apr. 16, 2013**

(54) **BASE FOR SEATING UNIT**

297/297/452.13, 452.19, 452.21, 452.27,
297/452.29, 452.3, 452.41, 452.56, 452.64

See application file for complete search history.

(71) Applicants: **Sean M. Corcorran**, East Grand Rapids, MI (US); **Thomas Overthun**, San Francisco, CA (US); **Elger Oberwelz**, San Francisco, CA (US); **David J. Battey**, Caledonia, MI (US); **Nickolaus William Charles Deevers**, Grand Rapids, MI (US); **Keith Robert Machin**, Wyoming, MI (US); **James N. Ludwig**, Grand Rapids, MI (US)

(56)

References Cited

U.S. PATENT DOCUMENTS

1,737 A	8/1840	King
834,988 A	12/1905	Mallory
1,330,373 A	2/1920	Hall
2,343,077 A	2/1944	Parrish
2,643,703 A	6/1953	Willis et al.
D177,231 S	3/1956	Hail et al.
2,748,841 A	6/1956	Rimkus
2,765,025 A	10/1956	Mary et al.
D181,703 S	12/1957	Bargen et al.
2,818,107 A	12/1957	Thaden
D181,945 S	1/1958	Saarinen
D181,975 S	1/1958	Hail et al.

(Continued)

OTHER PUBLICATIONS

U.S. Appl. No. 29/436,741, filed Nov. 8, 2012.

(Continued)

(72) Inventors: **Sean M. Corcorran**, East Grand Rapids, MI (US); **Thomas Overthun**, San Francisco, CA (US); **Elger Oberwelz**, San Francisco, CA (US); **David J. Battey**, Caledonia, MI (US); **Nickolaus William Charles Deevers**, Grand Rapids, MI (US); **Keith Robert Machin**, Wyoming, MI (US); **James N. Ludwig**, Grand Rapids, MI (US)

(73) Assignee: **Steelcase Inc.**, Grand Rapids, MI (US)

(**) Term: **14 Years**

Primary Examiner — Ricky Pham

(74) *Attorney, Agent, or Firm* — Quarles & Brady LLP

(21) Appl. No.: **29/439,216**

(57)

CLAIM

The ornamental design for a base for seating unit, as shown and described.

(22) Filed: **Dec. 7, 2012**

DESCRIPTION

Related U.S. Application Data

(63) Continuation of application No. 29/436,741, filed on Nov. 8, 2012, which is a continuation of application No. 12/987,273, filed on Jan. 10, 2011.

(51) **LOC (9) Cl.** **06-01**

(52) **U.S. Cl.**

USPC **D6/495**

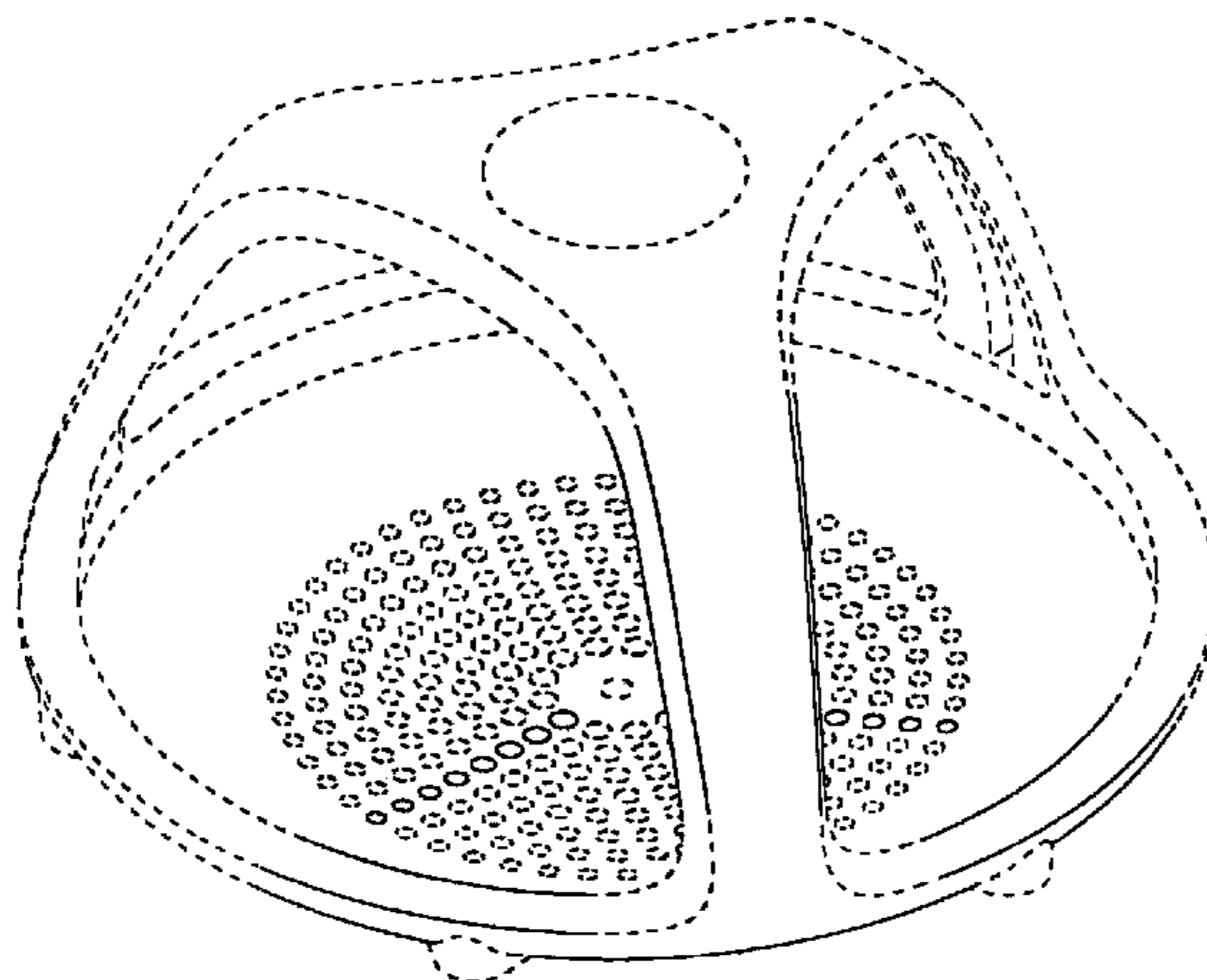
(58) **Field of Classification Search** D6/334-336, D6/344-353, 360-381, 388, 403, 491-502, D6/692, 708, 708.23; D34/17-18; 248/188.2; 297/22, 31, 35, 217.1, 239, 256.16, 284.4-284.5, 297/291, 297, 302.4, 411.2, 411.27-411.29, 297/411.43, 423.1, 423.12, 440.15, 451.1,

FIG. 1 is a top, front, right perspective view of a base for seating unit embodying our new design; FIG. 2 is a front elevational view thereof; FIG. 3 is a rear elevational view thereof; FIG. 4 is a right side elevational view thereof; FIG. 5 is a left side elevational view thereof; FIG. 6 is a top plan view thereof; and, FIG. 7 is a bottom plan view thereof.

The broken line representations in the figures show unclaimed environment, and thus form no part of the claimed design.

The nature of this product is a base for a seat for supporting a human in a seated position.

1 Claim, 4 Drawing Sheets



US D679,923 S

U.S. PATENT DOCUMENTS					
D182,790	S	5/1958 Cohen	5,957,534	A	9/1999 Wilkerson et al.
D183,416	S	8/1958 Bellmann	D417,342	S	12/1999 Holbrook
2,845,699	A	8/1958 Woodard	D417,795	S	12/1999 Rashid
2,973,807	A	3/1961 Close	6,010,187	A	1/2000 Dallas et al.
2,989,112	A	6/1961 Sonnleitner	D422,424	S	4/2000 Gehry et al.
D192,029	S	1/1962 Avedon et al.	D422,806	S	4/2000 Neil
D193,847	S	10/1962 Mason	6,053,570	A	4/2000 Stern et al.
D194,980	S	4/1963 De La Riva Careaga et al.	6,059,357	A	5/2000 Peart
D195,725	S	7/1963 Chapman et al.	D426,973	S	6/2000 Risdall
D196,429	S	10/1963 Johnson	6,073,997	A	6/2000 Koh
D198,628	S	7/1964 Chapman et al.	D427,812	S	* 7/2000 Donnelly D6/480
3,160,438	A	12/1964 Davis	6,082,822	A	7/2000 Kelly et al.
3,197,254	A	7/1965 Hendrickson	D428,713	S	8/2000 Arko et al.
D202,550	S	10/1965 Kramer	D440,064	S	4/2001 Deacon
D205,939	S	10/1966 Laverne	D447,651	S	* 9/2001 Ooyama et al. D6/498
D207,262	S	3/1967 Maurer et al.	6,286,901	B1	9/2001 Ritch et al.
D209,282	S	11/1967 Boyd et al.	D456,186	S	4/2002 Liu
3,361,472	A	1/1968 Hasbrouck	D456,647	S	5/2002 Whiteside et al.
3,380,778	A	4/1968 Barecki	D457,007	S	5/2002 Pearce et al.
D219,376	S	12/1970 Pearson	D457,019	S	5/2002 Liu
3,572,831	A	3/1971 Barecki et al.	6,390,551	B1	5/2002 Hendrickson
3,574,400	A	4/1971 Day	D460,871	S	7/2002 Opsvik
3,584,915	A	6/1971 Meyers	6,422,646	B1	7/2002 McNally
3,586,367	A	6/1971 Cincotta	D461,325	S	8/2002 Opsvik
3,712,668	A	1/1973 Fink	D461,327	S	8/2002 Pearce et al.
3,712,669	A	1/1973 Cates	D471,729	S	3/2003 Glass et al.
3,723,669	A	1/1973 Cates	D473,081	S	4/2003 Kita
D226,648	S	4/1973 Sobel et al.	6,588,845	B2	7/2003 Wilkerson et al.
D230,669	S	3/1974 Hendrickson	D477,921	S	8/2003 Bosman et al.
D230,670	S	3/1974 Begge	D477,925	S	* 8/2003 Lucci et al. D6/366
3,844,609	A	10/1974 Bomber	D479,053	S	9/2003 Chadwick et al.
D237,872	S	* 12/1975 Miller D34/18	D481,889	S	11/2003 Ciabatti
3,931,650	A	1/1976 Miller	6,669,282	B2	12/2003 Piretti
D244,978	S	7/1977 Polsky et al.	6,669,301	B1	12/2003 Funk et al.
D245,378	S	8/1977 Roericht	6,733,073	B2	5/2004 Whiteside et al.
4,050,491	A	9/1977 Hargrove	6,758,519	B2	7/2004 Harvey
4,062,590	A	12/1977 Polsky et al.	6,776,452	B2	8/2004 Onishi
4,074,918	A	2/1978 Kotzin	D495,536	S	* 9/2004 Lucht D6/495
4,136,908	A	1/1979 Crayne	D497,261	S	10/2004 Epp et al.
D264,149	S	5/1982 Buhk	D497,487	S	10/2004 Azumi et al.
4,427,232	A	1/1984 Malm	D502,016	S	2/2005 Goodworth
D274,771	S	7/1984 Ambasz et al.	6,871,905	B2	3/2005 Grace
D279,246	S	6/1985 Murry	D503,560	S	4/2005 Rowland et al.
4,529,247	A	7/1985 Stumpf et al.	D504,026	S	4/2005 Glass et al.
D288,388	S	2/1987 Ochsner	D505,022	S	5/2005 Mills et al.
D288,506	S	3/1987 Ochsner	D507,890	S	8/2005 Mills et al.
D289,120	S	4/1987 Chadwick et al.	D511,416	S	11/2005 Obbitts et al.
4,744,603	A	5/1988 Knoblock	D512,846	S	12/2005 Goodworth
D298,674	S	11/1988 Koller	D513,892	S	1/2006 Glass et al.
D315,123	S	3/1991 Spiegel et al.	D514,829	S	2/2006 Glass et al.
D315,998	S	4/1991 Edwards	D517,336	S	3/2006 Engelstad
5,015,033	A	5/1991 Winters	D518,304	S	4/2006 Crescenti
5,015,038	A	5/1991 Mrotz	D518,968	S	4/2006 Magnani et al.
D319,159	S	8/1991 Silbersky et al.	D524,069	S	* 7/2006 Lim D6/350
D326,577	S	6/1992 Edwards	D525,445	S	7/2006 Liu et al.
5,123,702	A	6/1992 Caruso	D525,446	S	7/2006 Farber
5,169,210	A	12/1992 Fricano	D531,419	S	* 11/2006 Whiteside et al. D6/352
D332,703	S	1/1993 Gulliver	D531,423	S	11/2006 Whiteside et al.
D334,314	S	3/1993 Milton	D542,039	S	5/2007 Glass et al.
D334,487	S	4/1993 Perry	D544,230	S	6/2007 Glass et al.
D351,510	S	10/1994 Lucci et al.	D546,085	S	7/2007 Ritch et al.
5,364,137	A	11/1994 Shimer	D546,087	S	7/2007 Rashid
D353,058	S	12/1994 Dallas	D547,980	S	8/2007 Glass et al.
D358,723	S	5/1995 Kelly et al.	D549,018	S	8/2007 Glass et al.
5,452,950	A	9/1995 Crenshaw et al.	D550,471	S	9/2007 Igarashi
D365,935	S	1/1996 Dallas	D552,856	S	10/2007 Chan
D366,772	S	2/1996 Pasin	D553,380	S	10/2007 Natuzzi
5,489,145	A	2/1996 Van Hekken	D554,386	S	11/2007 Nobles et al.
5,499,413	A	3/1996 Van Hekken	D555,372	S	11/2007 Lin
D370,360	S	6/1996 Fewchuk	D555,380	S	11/2007 Farber
5,601,331	A	2/1997 Austin et al.	D557,515	S	12/2007 Breen
5,653,499	A	8/1997 Goodall	D557,916	S	12/2007 Dietrich
D383,927	S	9/1997 Vassallo	D560,918	S	2/2008 Fuksas
D398,452	S	9/1998 Reddig	D562,019	S	2/2008 Lievore
5,816,649	A	10/1998 Shields	D566,412	S	4/2008 Van Severen
D406,195	S	3/1999 Gamberini	D566,978	S	* 4/2008 Gonzalez D6/350
D410,128	S	5/1999 Dallas et al.	7,354,110	B1	4/2008 Raghubir
5,954,393	A	9/1999 Perrin	D569,115	S	* 5/2008 McCoy et al. D6/365
			D570,125	S	* 6/2008 Gonzalez D6/350

US D679,923 S

Page 3

D572,029 S	7/2008	Bouroullec et al.		D646,085 S	10/2011	Overthun et al.	
D573,323 S *	7/2008	Vargas	D34/18	D646,497 S	10/2011	Overthun et al.	
D573,363 S	7/2008	Pillet		D650,185 S *	12/2011	Hsu	D6/349
D578,786 S	10/2008	Cantarutti		D660,540 S *	5/2012	Thompson et al.	D34/17
D579,677 S *	11/2008	Zhou et al.	D6/349	D661,914 S *	6/2012	Paulin et al.	D6/365
D585,207 S	1/2009	Bauchet		D668,464 S *	10/2012	Du	D6/353
D587,916 S	3/2009	Bouroullec et al.		8,292,370 B1 *	10/2012	Hygh	297/461
D591,537 S *	5/2009	Zhang	D6/491	8,297,706 B2 *	10/2012	Matthews	297/423.12
D592,870 S	5/2009	Olano Jauregui		2005/0012371 A1	1/2005	Mendenhall et al.	
D592,876 S	5/2009	Smith et al.		2005/0099040 A1	5/2005	Mills et al.	
D730,632	5/2009	Kaloustian et al.		2006/0102816 A1 *	5/2006	Zhang	248/188.2
D596,871 S	7/2009	Farber		2006/0261646 A1	11/2006	McQuire	
D600,035 S	9/2009	Olano Jauregui et al.		2007/0284920 A1	12/2007	Mehaffey et al.	
D600,052 S	9/2009	Smith et al.		2007/0290541 A1 *	12/2007	Tsai	297/423.1
D600,458 S	9/2009	Starck					
7,597,392 B1 *	10/2009	Gilmore	297/217.1				
D611,261 S *	3/2010	Igarashi	D6/365				
D612,640 S *	3/2010	Noiseux	D6/500				
D618,922 S	7/2010	Fuchs					
D625,931 S *	10/2010	Estrup	D6/349				
D636,612 S	4/2011	Overthun et al.					
D636,613 S	4/2011	Overthun et al.					
D640,878 S *	7/2011	Huang et al.	D6/350				

OTHER PUBLICATIONS

U.S. Appl. No. 29/439,217, filed Dec. 7, 2012.

U.S. Appl. No. 29/439,218, filed Dec. 7, 2012.

U.S. Appl. No. 29/439,221, filed Dec. 7, 2012.

* cited by examiner

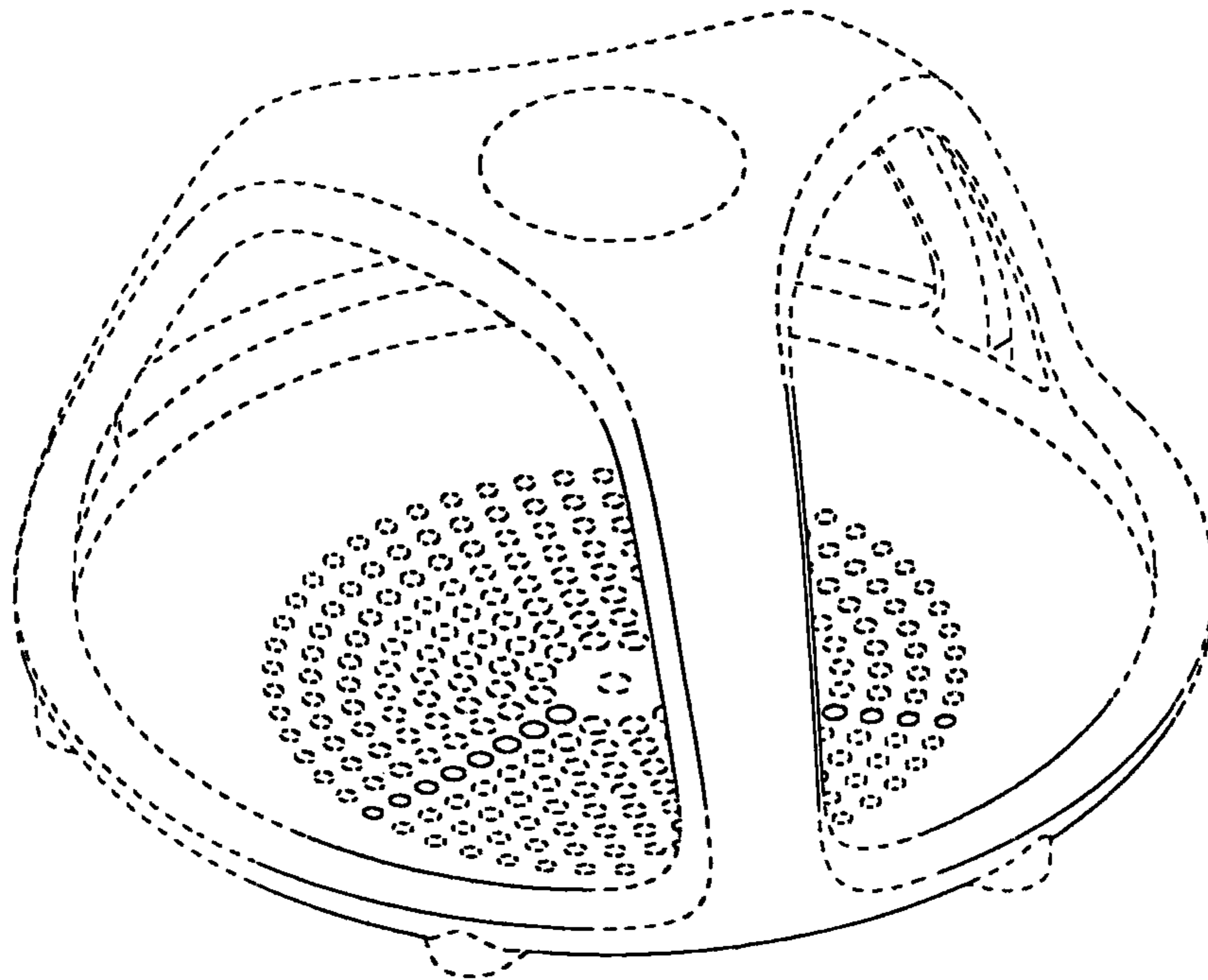


FIG. 1

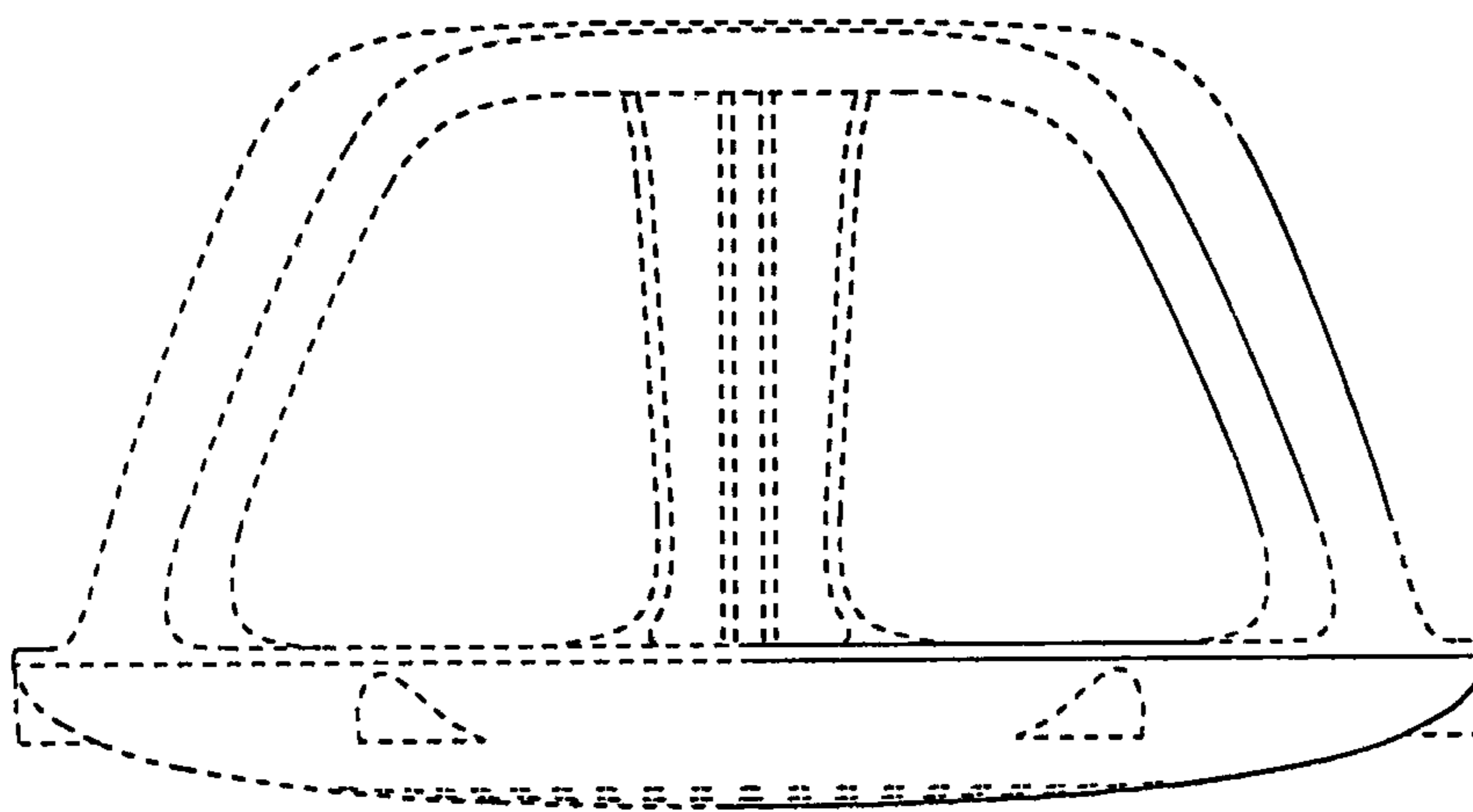


FIG. 2

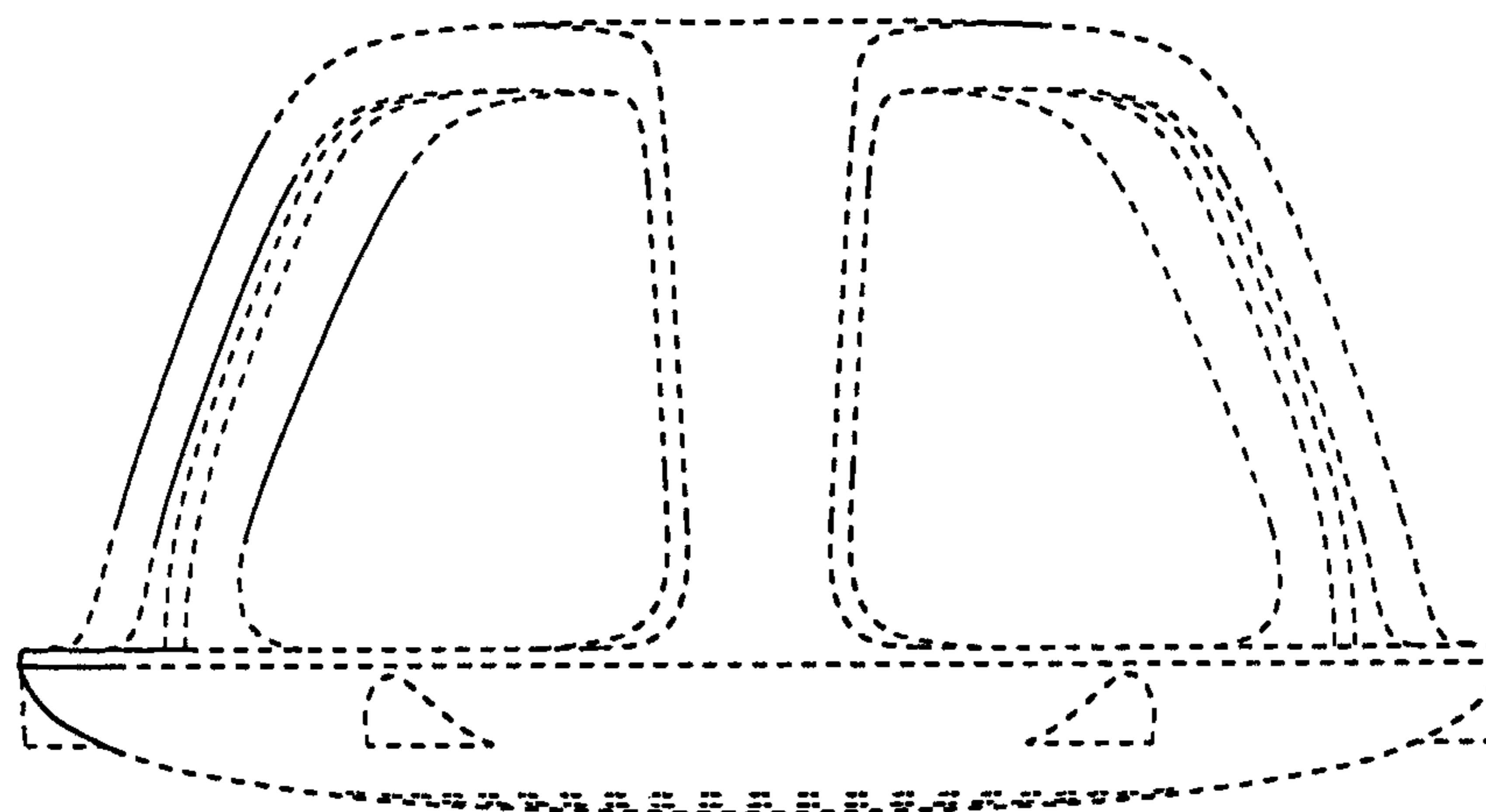


FIG. 3

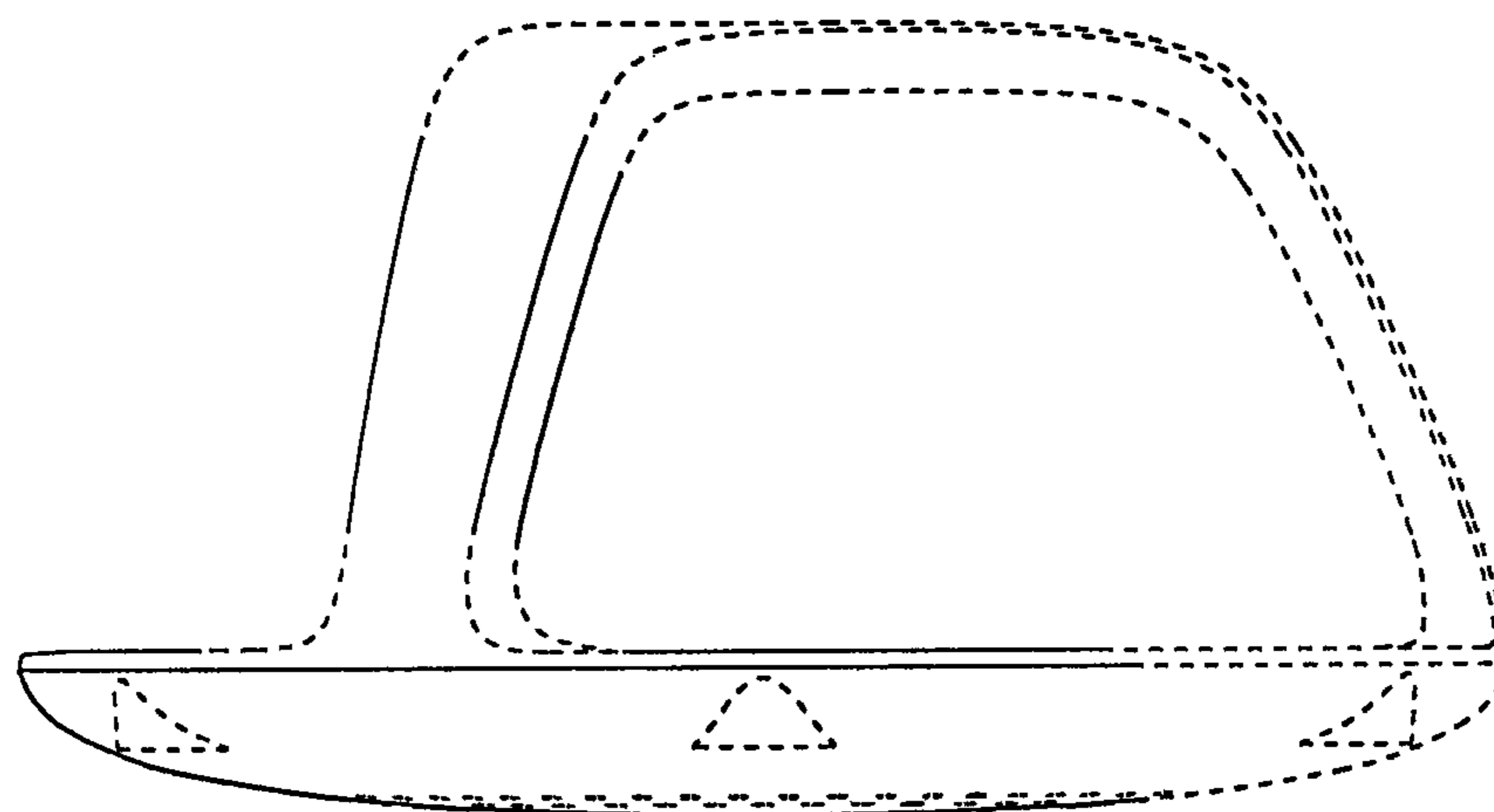


FIG. 4

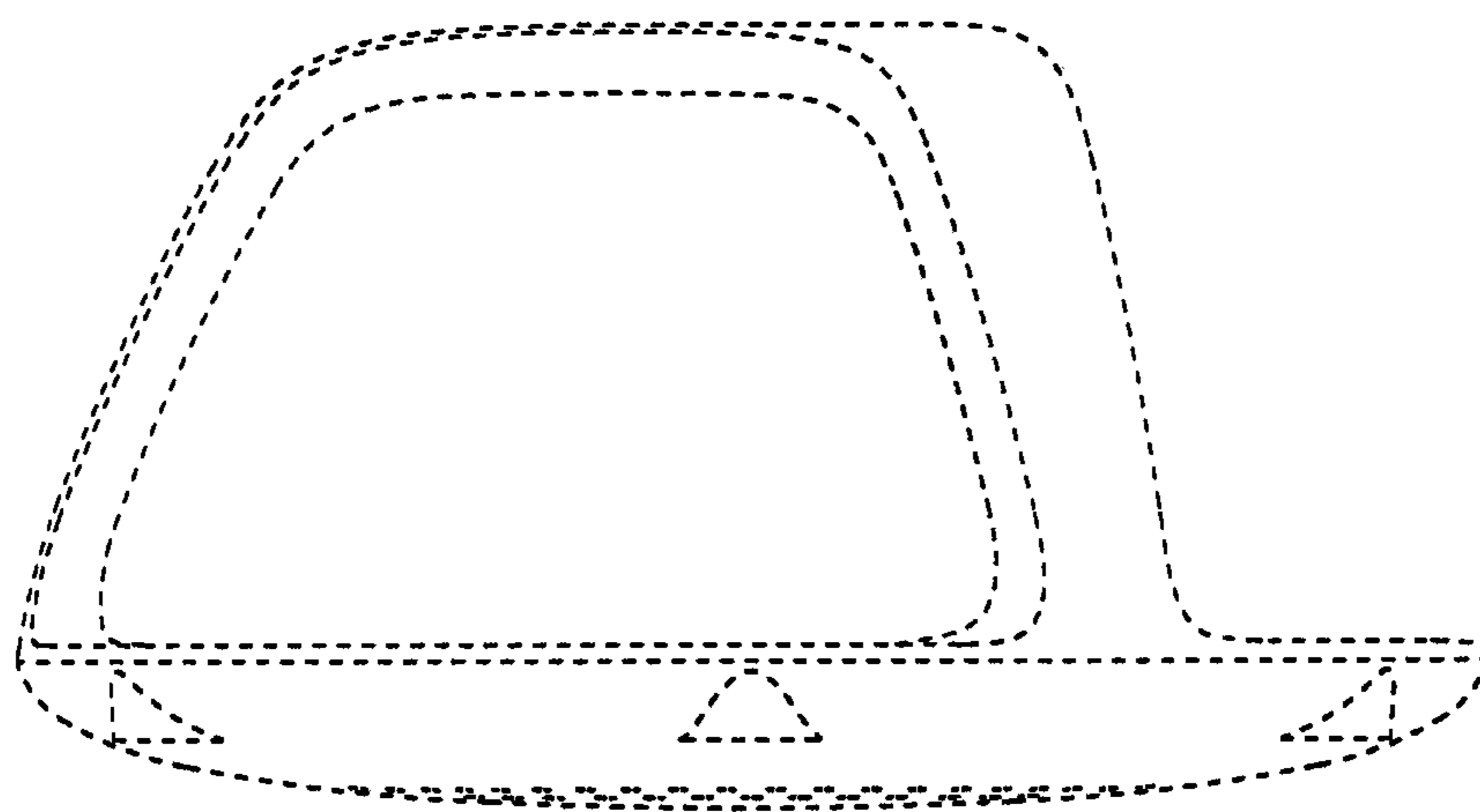


FIG. 5

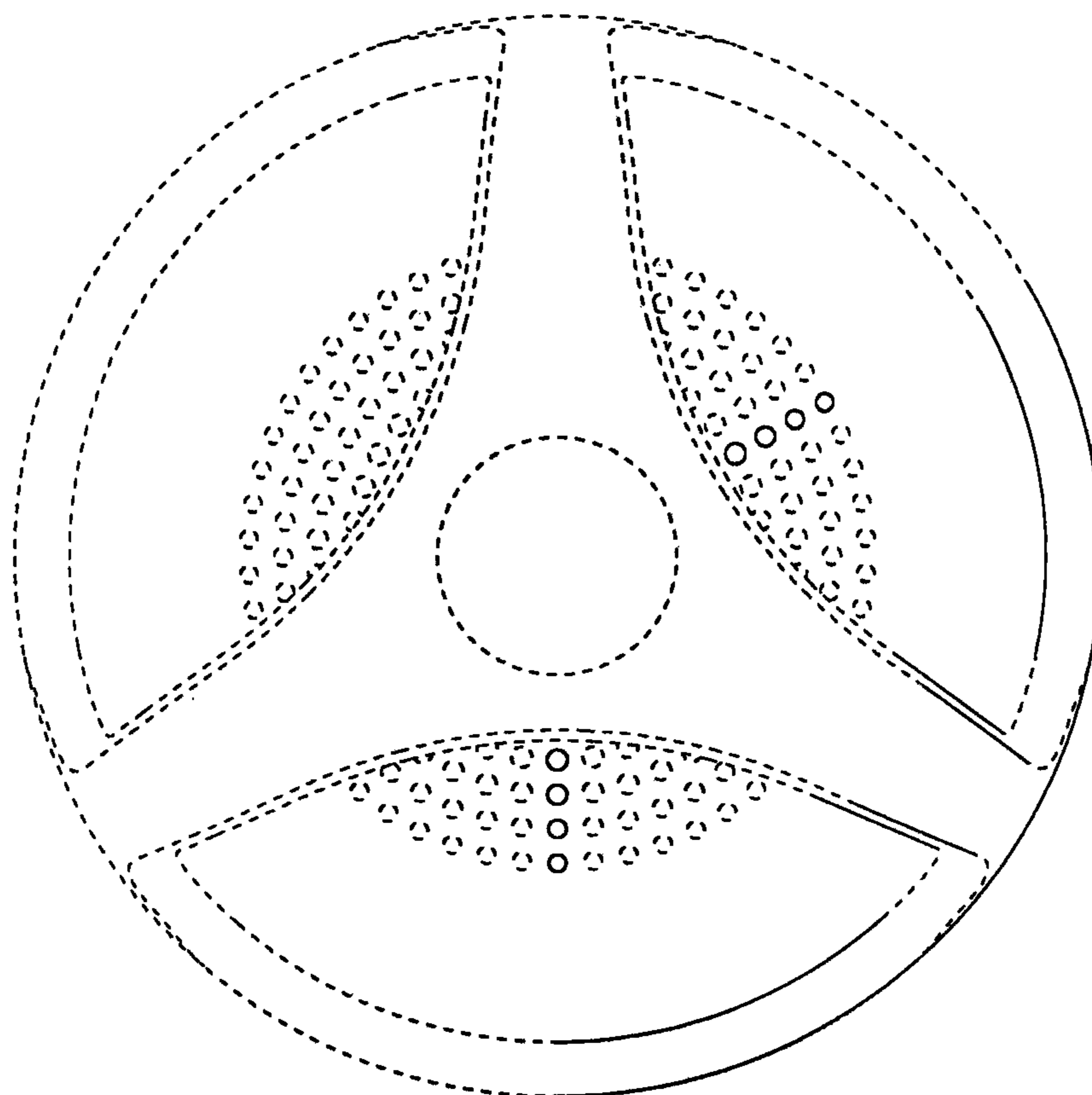


FIG. 6

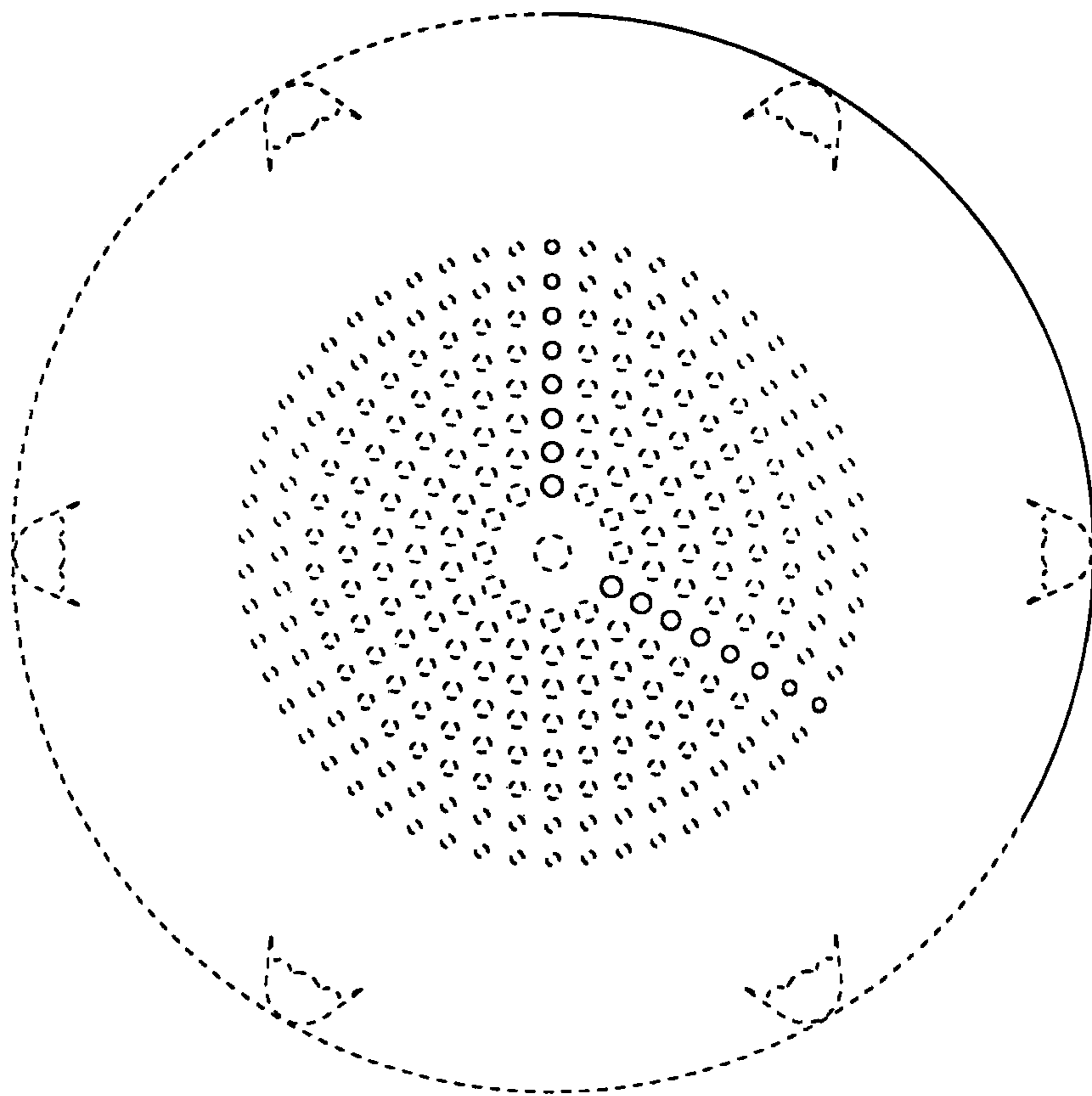


FIG. 7