

US00D679922S

(12) **United States Design Patent**  
**Weigand**

(10) **Patent No.:** **US D679,922 S**

(45) **Date of Patent:** **\*\* Apr. 16, 2013**

(54) **GREETING CARD OUTPOST**

(75) **Inventor:** **Christopher Weigand**, Peninsula, OH  
(US)

(73) **Assignee:** **American Greetings Corporation**,  
Cleveland, OH (US)

(\*\*) **Term:** **14 Years**

(21) **Appl. No.:** **29/427,181**

(22) **Filed:** **Jul. 16, 2012**

(51) **LOC (9) Cl.** ..... **06-06**

(52) **U.S. Cl.**  
USPC ..... **D6/464**

(58) **Field of Classification Search** ..... D6/462,  
D6/464-465, 455, 457, 332, 449, 477-479,  
D6/396-397, 474, 409-415; D3/20, 23,  
D3/25; 211/169, 135, 153, 188; 248/346.03,  
248/153; 108/16, 91-92; 312/50, 117, 128  
See application file for complete search history.

(56) **References Cited**

U.S. PATENT DOCUMENTS

D288,038 S *	2/1987	Henning	.....	D6/458
D288,640 S *	3/1987	Campbell	.....	D6/465
D318,591 S *	7/1991	Killiany	.....	D6/566
D382,140 S *	8/1997	Loflin	.....	D6/465
D382,421 S *	8/1997	Burchett	.....	D6/459
6,089,387 A *	7/2000	Varfolomeeva	.....	211/181.1
D468,936 S *	1/2003	Miranda	.....	D6/463
D524,573 S *	7/2006	Robinson et al.	.....	D6/463
D534,013 S *	12/2006	Jahnke	.....	D6/458

D534,375 S *	1/2007	Sparkowski	.....	D6/465
D537,275 S *	2/2007	Chang	.....	D6/463
D554,901 S *	11/2007	Bretz et al.	.....	D6/468
D565,324 S *	4/2008	Sparkowski	.....	D6/465
D597,765 S *	8/2009	Weigand et al.	.....	D6/462
D635,801 S *	4/2011	Stubis	.....	D6/461
D657,591 S *	4/2012	Sanchez	.....	D6/479
D668,889 S *	10/2012	Theisen	.....	D6/462

\* cited by examiner

*Primary Examiner* — Kelley Donnelly

(74) *Attorney, Agent, or Firm* — James C. Scott; Roetzel & Andress

(57) **CLAIM**

The ornamental design for a greeting card outpost, as shown and described.

**DESCRIPTION**

FIG. 1 is a perspective view of the greeting card outpost of the present invention.

FIG. 2 is a perspective view of the greeting card outpost of FIG. 1.

FIG. 3 is a left side view of the greeting card outpost of FIG. 1, the right side view being a mirror image thereof.

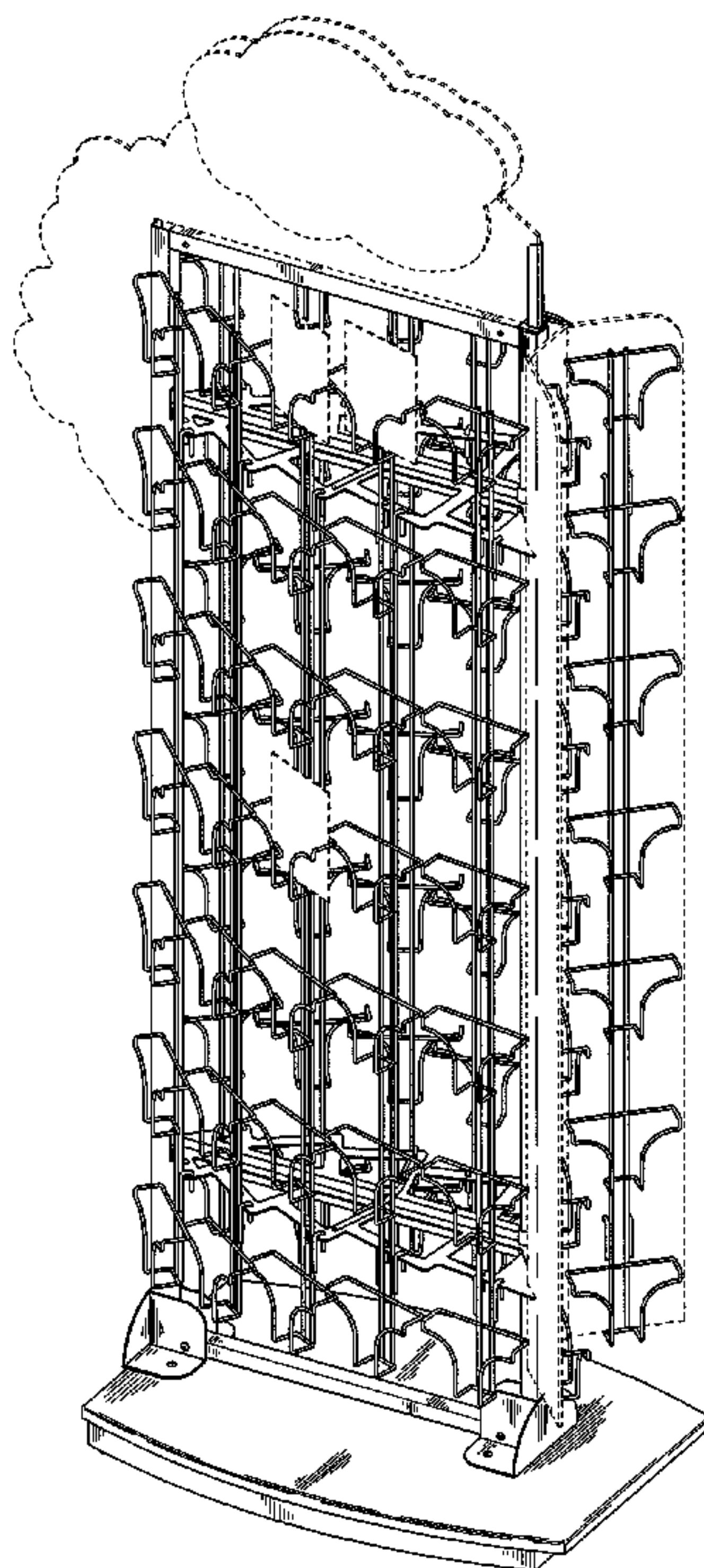
FIG. 4 is a front view of the greeting card outpost of FIG. 1.

FIG. 5 is a rear view of the greeting card outpost of FIG. 1.

FIG. 6 is a top view of the greeting card outpost of FIG. 1; and, FIG. 7 is a bottom view of the greeting card outpost of FIG. 1.

The broken lines are for the purpose of illustrating the environment of the article only and form no part of the claimed design.

**1 Claim, 5 Drawing Sheets**



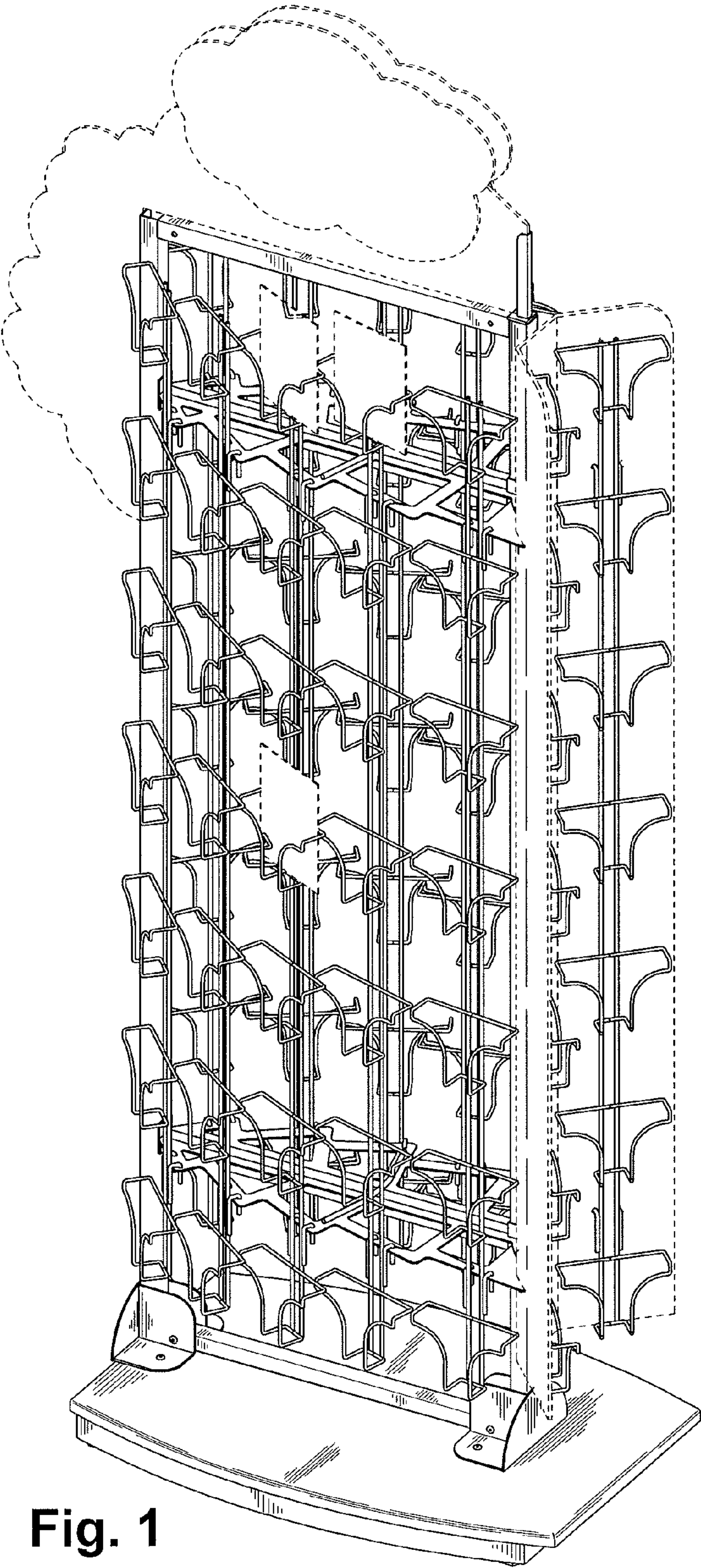


Fig. 1



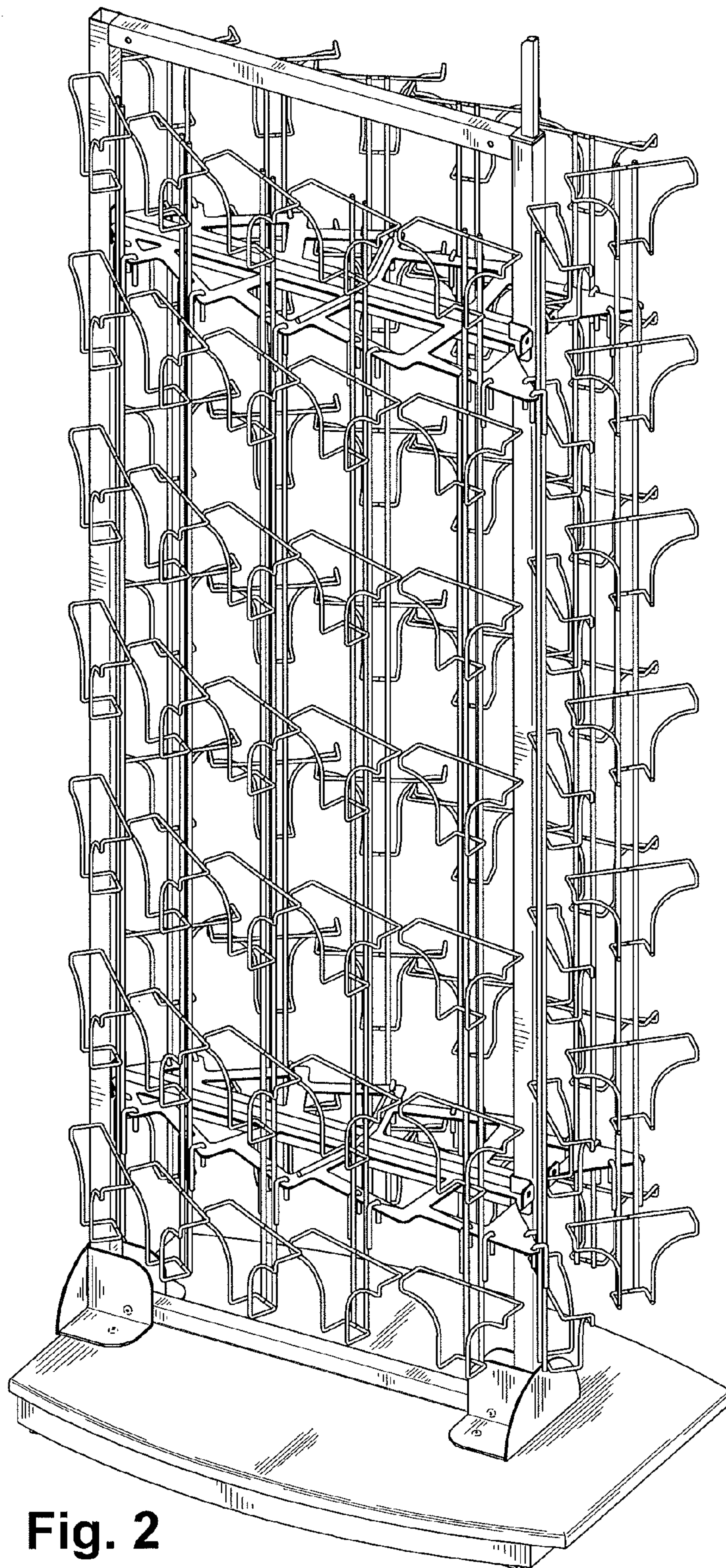


Fig. 2

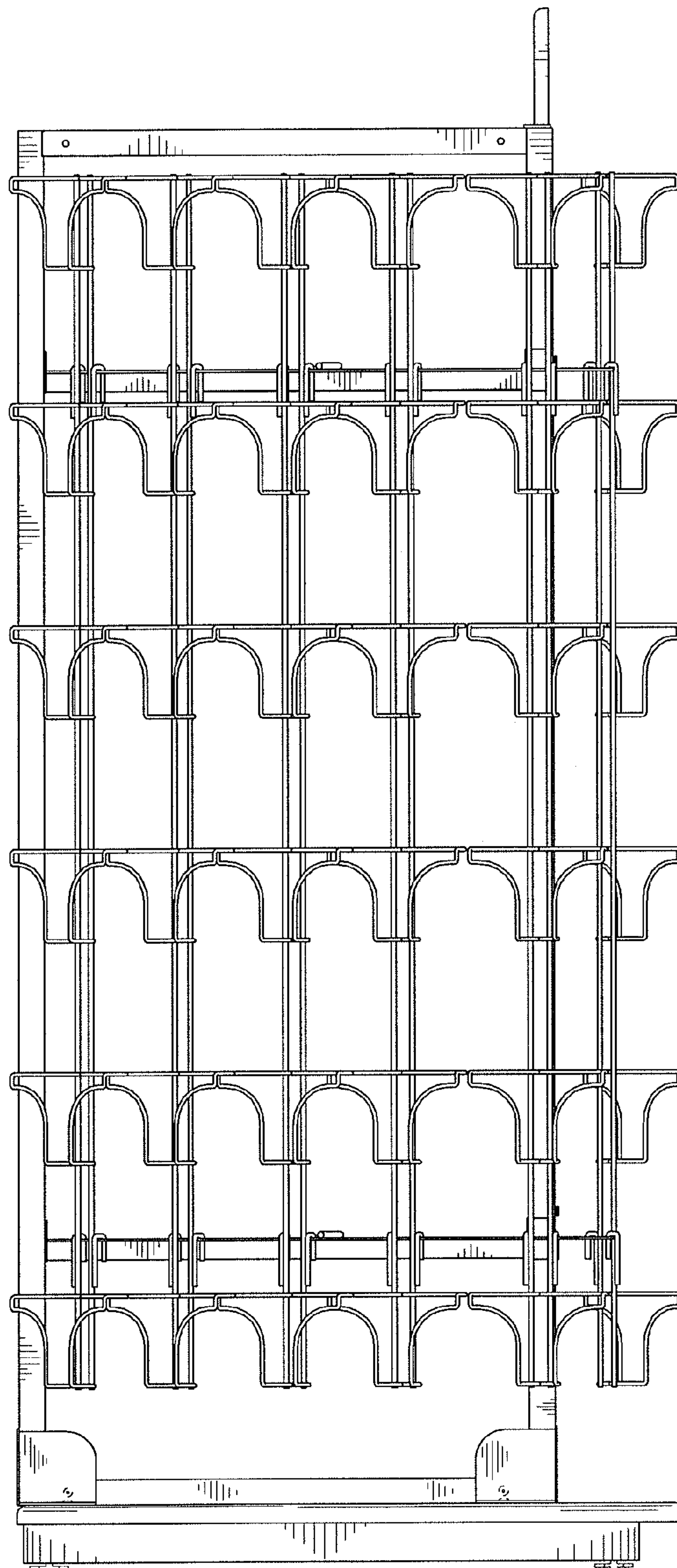


Fig. 3



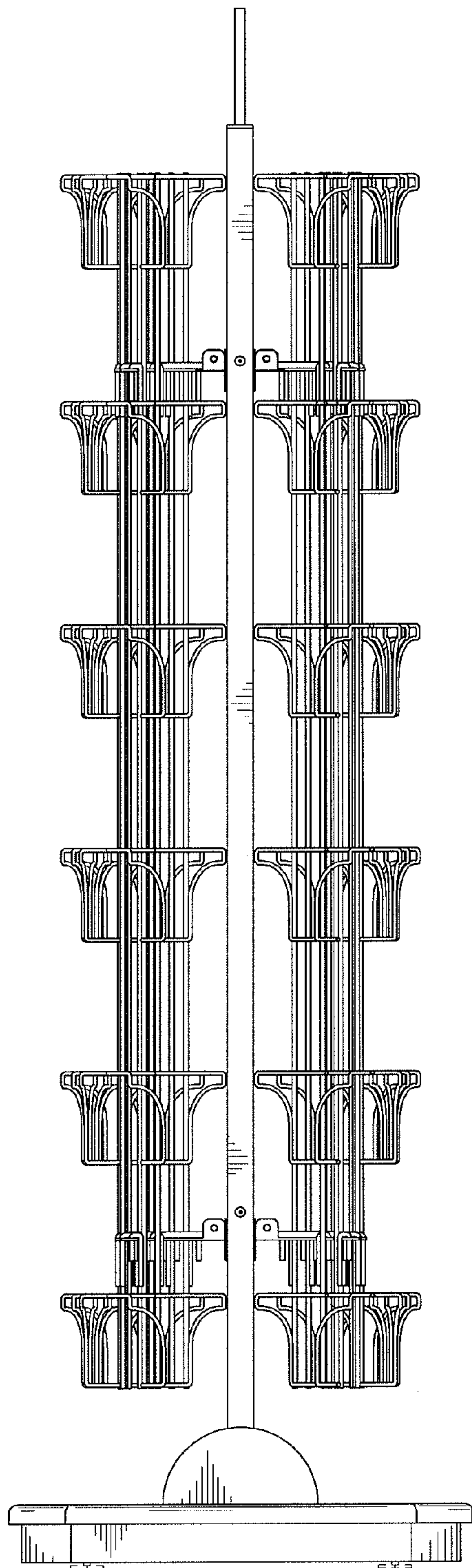


Fig. 4

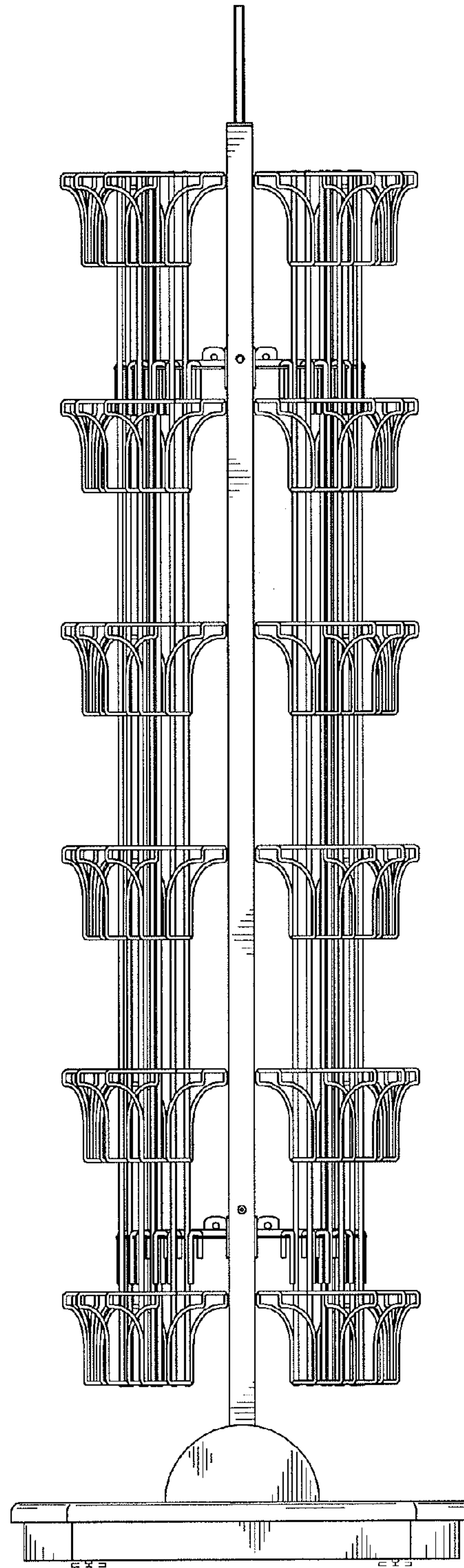
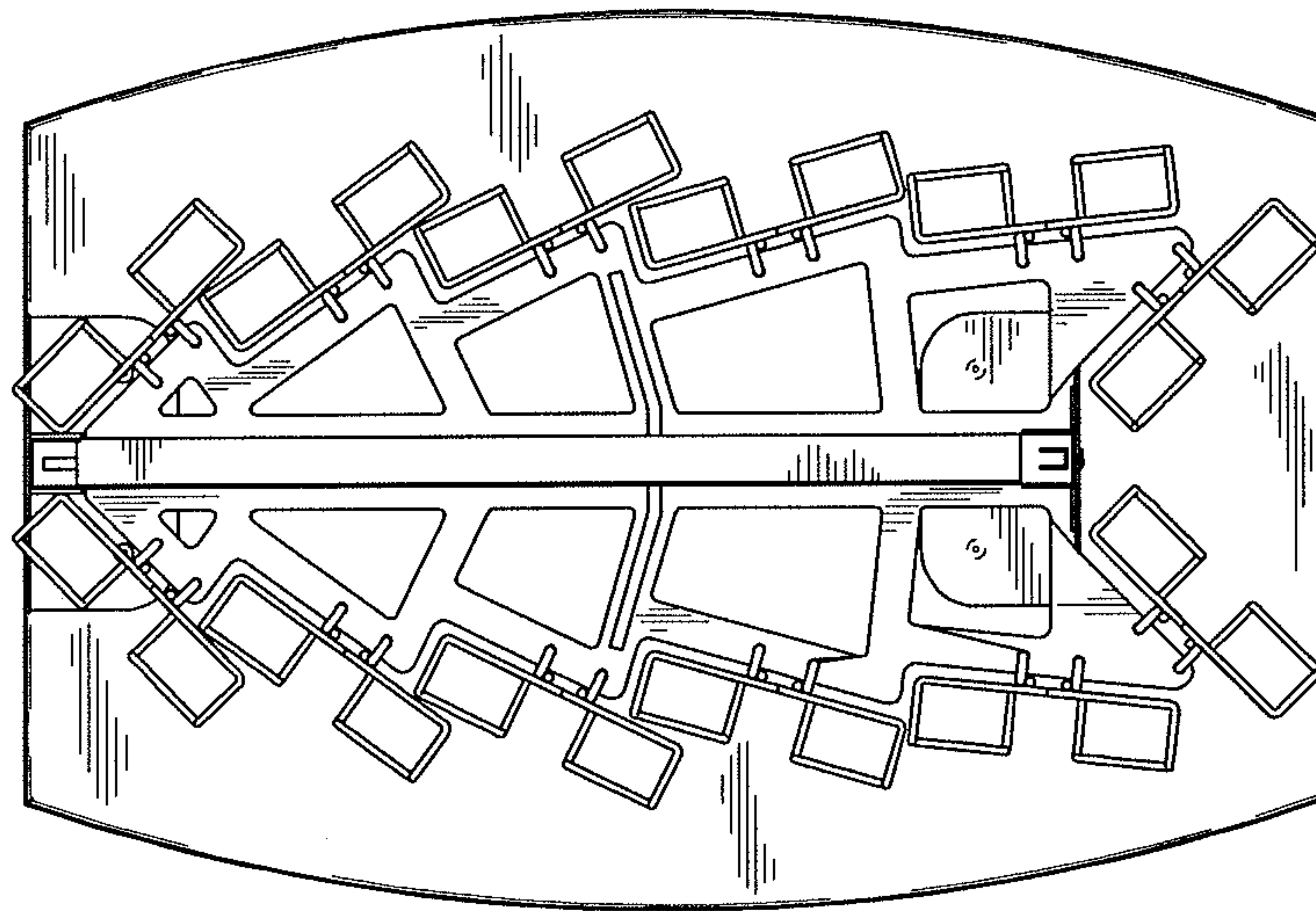
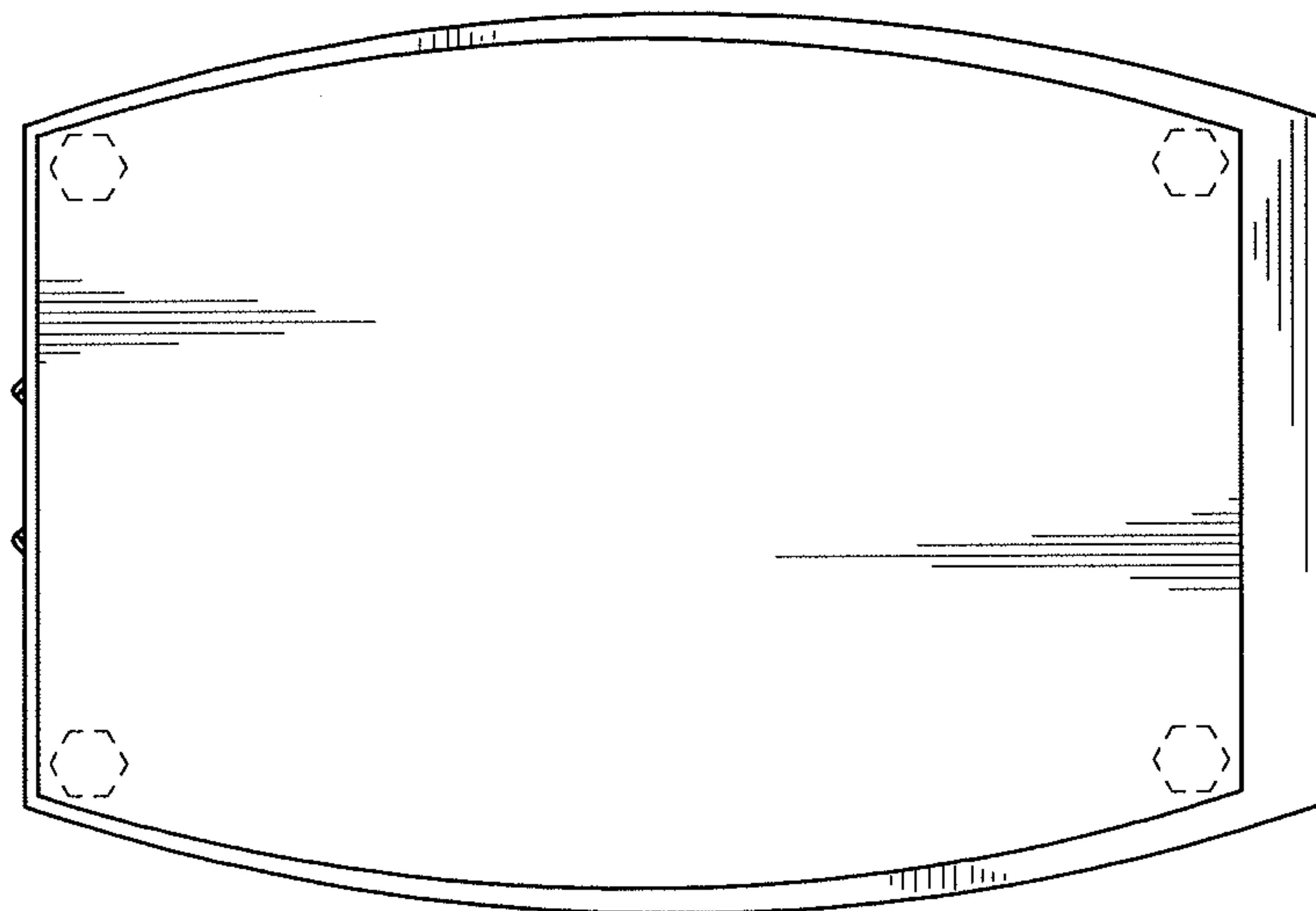


Fig. 5



**Fig. 6**



**Fig. 7**