

US00D679921S

(12) **United States Design Patent**
Kiechler

(10) **Patent No.:** **US D679,921 S**

(45) **Date of Patent:** **** Apr. 16, 2013**

(54) **LAP TABLE**

(76) Inventor: **Robert Peter Kiechler**, Bournemouth
(GB)

(**) Term: **14 Years**

(21) Appl. No.: **29/422,494**

(22) Filed: **May 22, 2012**

Related U.S. Application Data

(63) Continuation-in-part of application No. 29/374,201,
filed on Jul. 15, 2011.

(51) **LOC (9) Cl.** **06-06**

(52) **U.S. Cl.**
USPC **D6/406.5**

(58) **Field of Classification Search** D6/406.3-406.6,
D6/406.9, 420, 429; D7/505-507, 545-546,
D7/550-557, 601-603, 610, 619-620; 220/17.1,
220/671, 675, 630; 206/427, 433, 485-487,
206/557, 562-564, 523-534, 589-590; 108/43-44
See application file for complete search history.

(56) **References Cited**

U.S. PATENT DOCUMENTS

3,181,483	A *	5/1965	Devitt et al.	108/25
4,726,556	A *	2/1988	Weir	248/454
4,972,781	A *	11/1990	Montgomery et al.	108/25
D331,330	S *	12/1992	Bennett et al.	D6/406.3
D360,776	S *	8/1995	Blue	D6/406.6
D385,126	S *	10/1997	Howland et al.	D6/406.6
D390,718	S *	2/1998	Howland et al.	D6/406.6
D398,458	S *	9/1998	Martell	D6/420
6,044,758	A *	4/2000	Drake	100/43
D427,649	S *	7/2000	Mak	D21/522
D443,434	S *	6/2001	Tinsley	D6/406.4
D446,082	S *	8/2001	Voves	D7/566
D455,024	S *	4/2002	Mimick et al.	D6/406.3

D492,133	S *	6/2004	Richter	D6/419
D499,575	S *	12/2004	Chan	D6/406.3
D573,940	S *	7/2008	Heneghan et al.	D12/425
D575,077	S *	8/2008	Kessels	D6/406.3
D588,373	S *	3/2009	Rushton	D6/406.6
D604,963	S *	12/2009	Potter	D6/480
D608,270	S *	1/2010	Priestman	D12/345
D616,229	S *	5/2010	Suitt	D6/491
D618,476	S *	6/2010	Maddux	D6/491
D619,822	S *	7/2010	Damgaard-Sorensen	D6/406.1
D619,823	S *	7/2010	Jennings	D6/406.3
D624,922	S *	10/2010	Hui et al.	D14/447
D627,178	S *	11/2010	Adams et al.	D6/484
D635,797	S *	4/2011	Xingyin	D6/420
D641,997	S *	7/2011	Phillips	D6/487
D642,408	S *	8/2011	Pirkl	D6/511
8,091,486	B1 *	1/2012	Broadrick	108/43
8,113,380	B2 *	2/2012	Goren	220/755
8,186,530	B2 *	5/2012	Bar	220/17.1
D661,125	S *	6/2012	Francis	D6/406.3

* cited by examiner

Primary Examiner — Kelley Donnelly

(57) **CLAIM**

The ornamental design for the lap table, as shown and described.

DESCRIPTION

FIG. 1 is a top front perspective view of the lap table showing my new design;
FIG. 2 is a top rear perspective view thereof;
FIG. 3 is a bottom perspective view thereof showing the legs in an open position;
FIG. 4 is a bottom perspective view thereof showing the legs in a closed position;
FIG. 5 is a top perspective view showing the "lap table" in a folded position thereof; and,
FIG. 6 is a top plan view thereof.

1 Claim, 6 Drawing Sheets

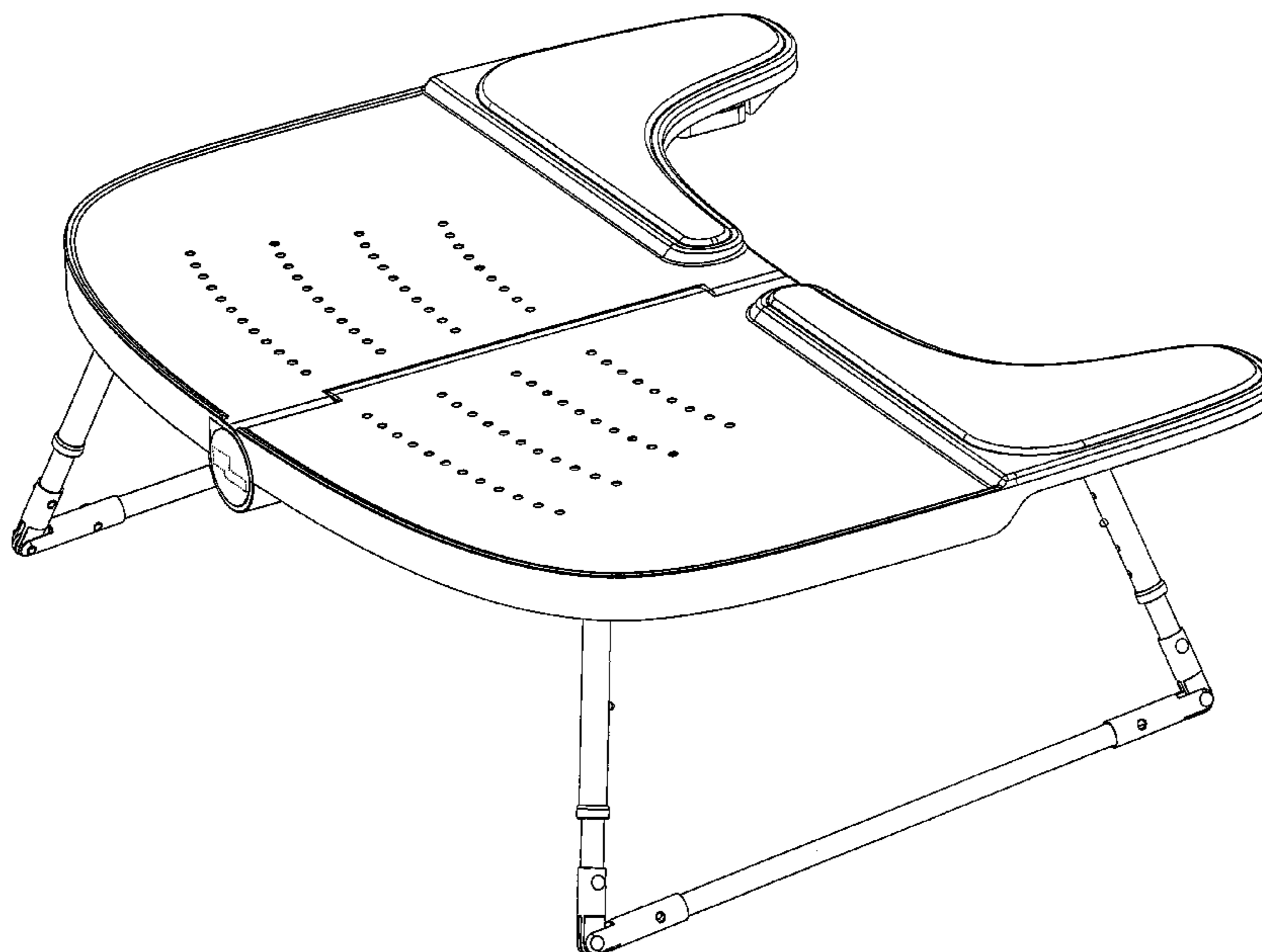


Fig 1

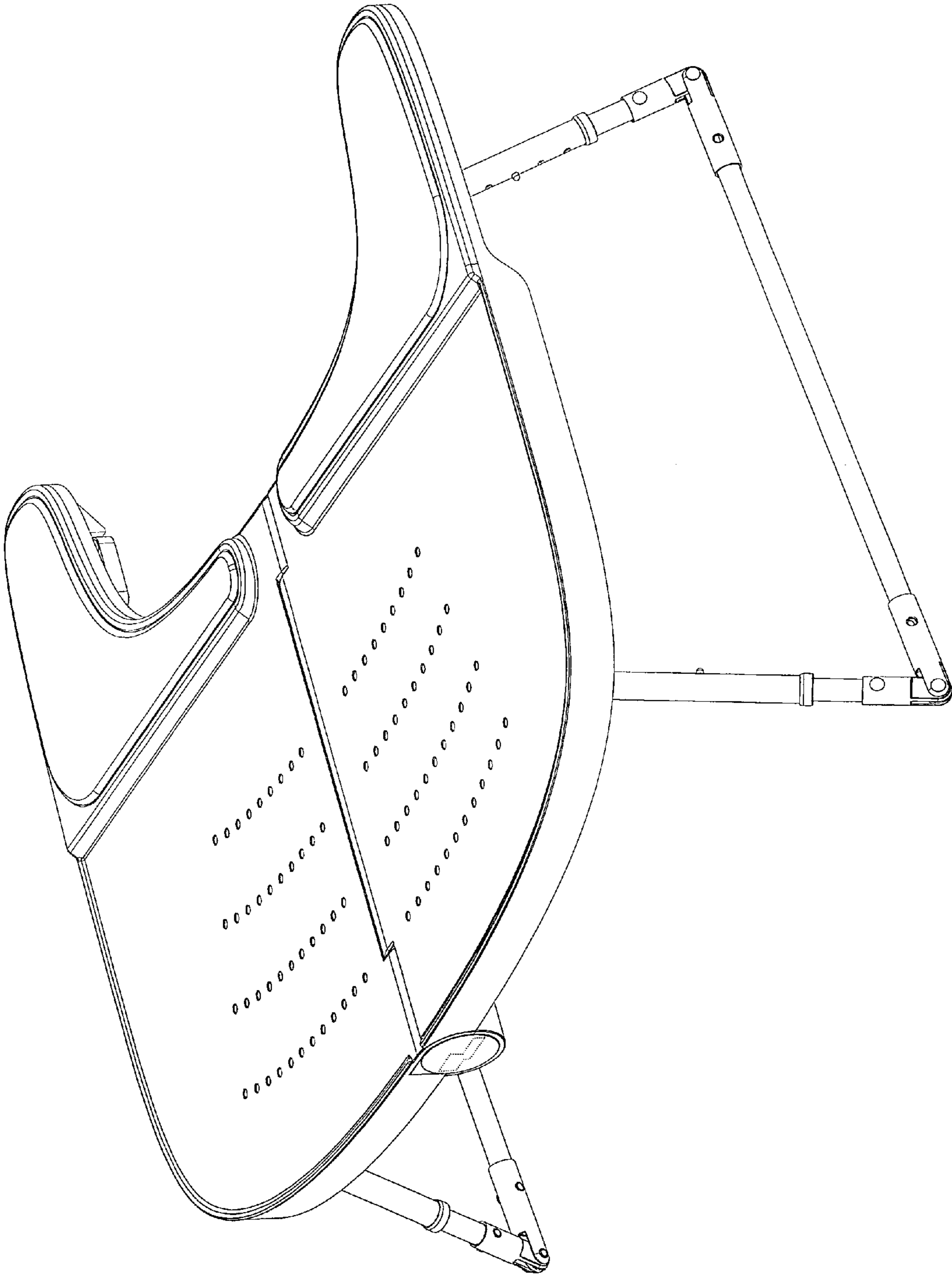


Fig 2

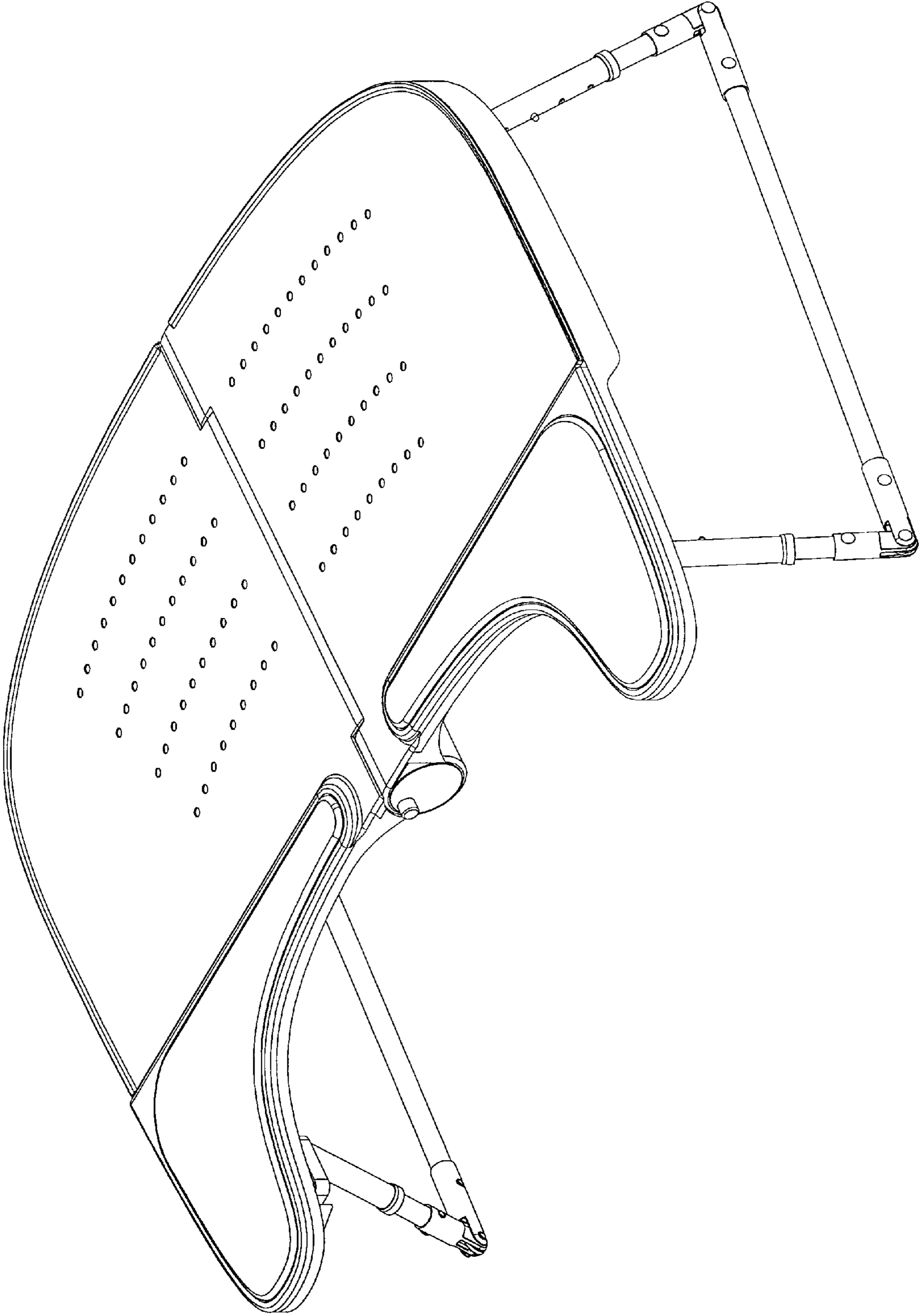


Fig 3

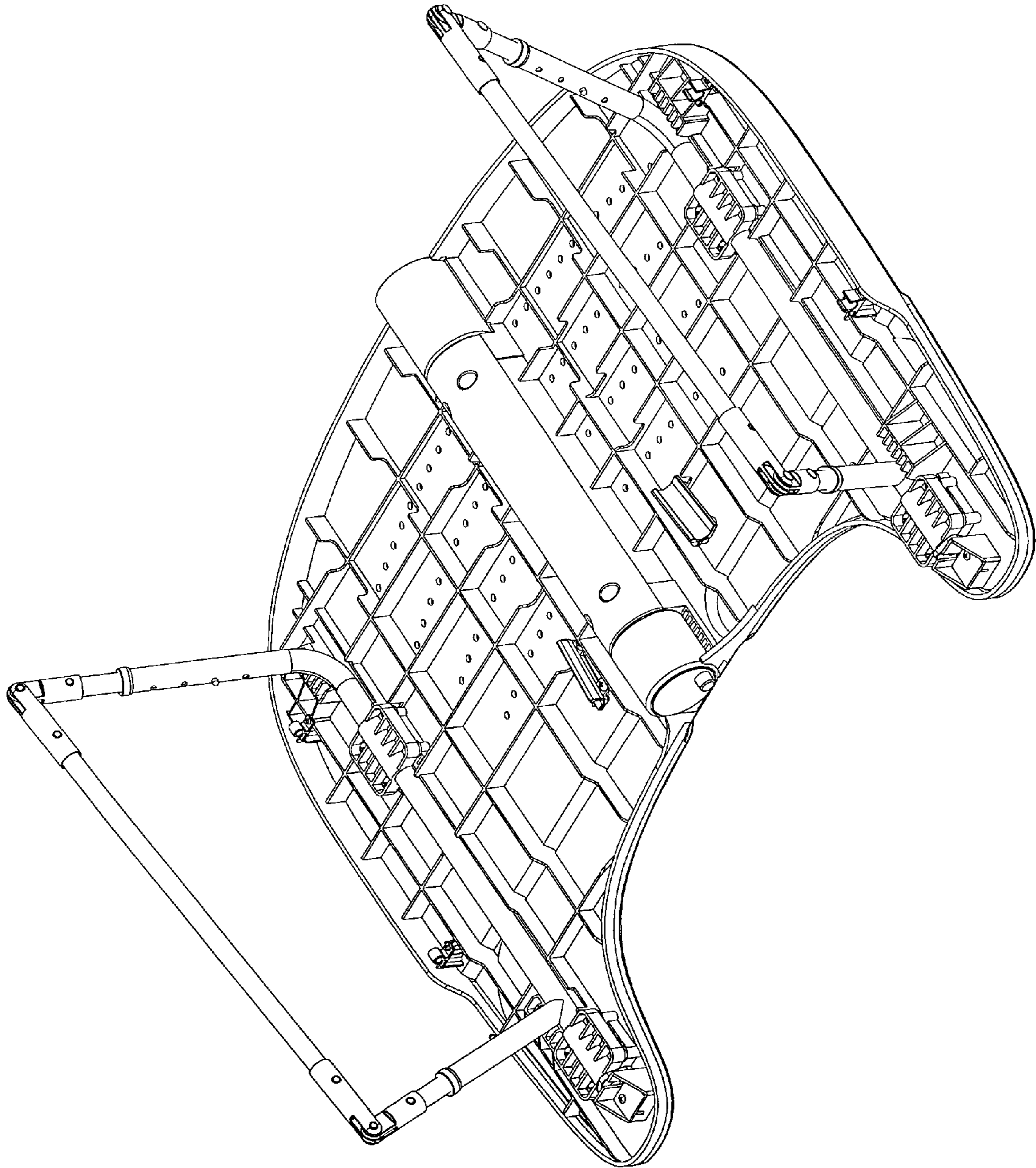


Fig 4

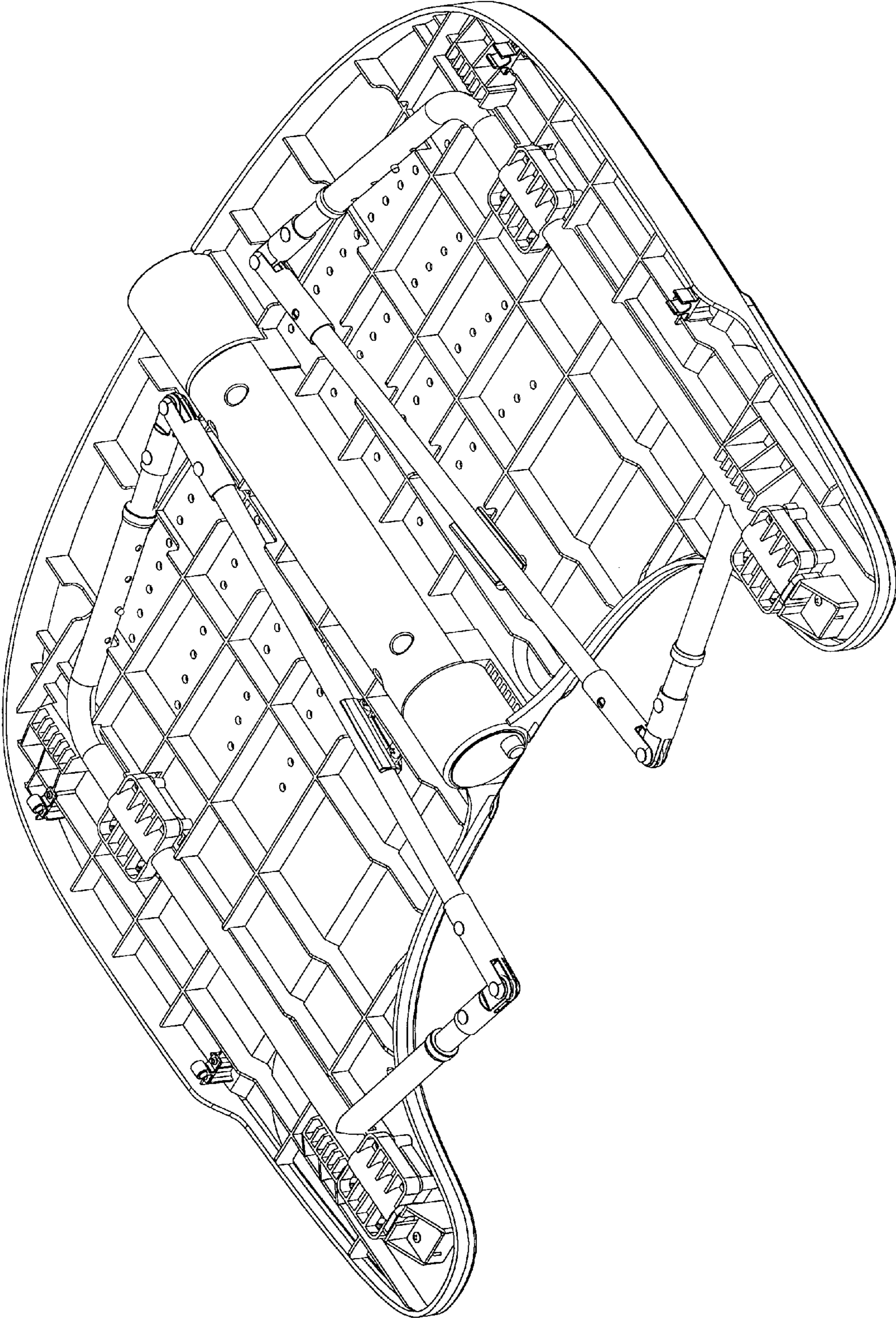


Fig 5

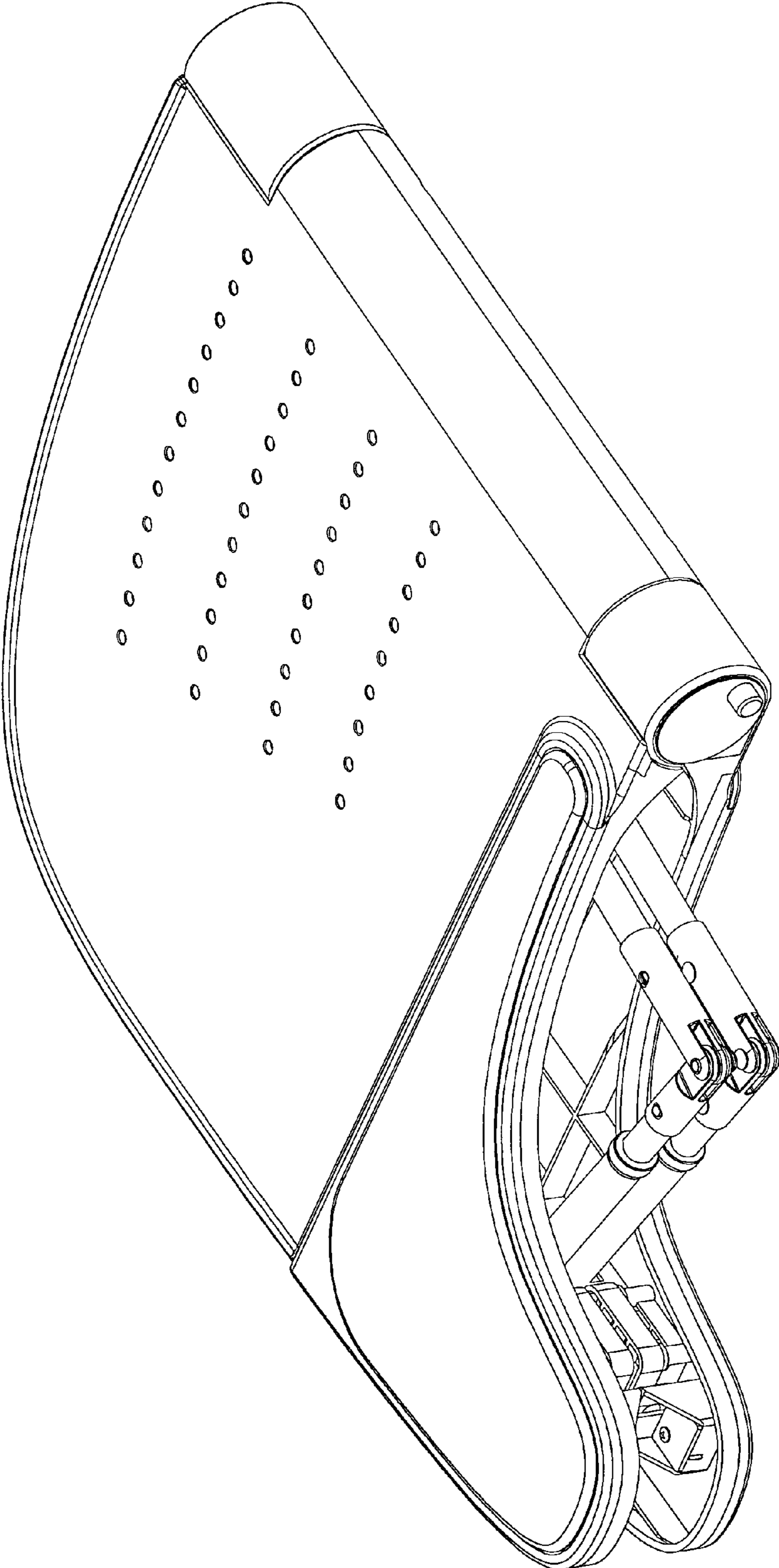


Fig 6

