



US00D679920S

(12) **United States Design Patent**
Terol

(10) **Patent No.:** **US D679,920 S**

(45) **Date of Patent:** **** Apr. 16, 2013**

(54) **SWIVEL SHEPHERD HOOK**

(76) Inventor: **Robert P. Terol**, Batavia, NY (US)

(**) Term: **14 Years**

(21) Appl. No.: **29/418,145**

(22) Filed: **Apr. 12, 2012**

(51) **LOC (9) Cl.** **11-02**

(52) **U.S. Cl.**
USPC **D6/405**

(58) **Field of Classification Search** D6/403-405,
D6/556-558; D8/1; D11/143-156, 164;
D19/77, 80, 81, 84; D25/100; D26/9-11,
D26/16, 19; D34/1, 2, 4-6; D99/5, 19; 47/17,
47/32.4, 32.5, 32.7, 33, 39, 41.01, 41.1, 41.11-41.15,
47/44-47, 65, 65.5, 65.9, 66.1, 66.2, 66.6,
47/66.7, 67-71

See application file for complete search history.

(56) **References Cited**

U.S. PATENT DOCUMENTS

4,098,483	A	7/1978	Pesola et al.	
5,313,910	A	5/1994	Wittman	
D379,037	S *	5/1997	Moran, III	D6/405
D392,853	S *	3/1998	Hardison	D8/1
5,826,852	A	10/1998	McKeown	

D401,484	S *	11/1998	Hardison	D8/1
D435,359	S *	12/2000	McCarron	D6/403
D447,358	S	9/2001	Cavero	
D480,229	S *	10/2003	Humphrey	D6/403
D517,343	S *	3/2006	Hayes	D6/403
7,740,216	B1	6/2010	Puckett et al.	
2008/0083861	A1	4/2008	Conroy et al.	

* cited by examiner

Primary Examiner — Garth Rademaker

(74) *Attorney, Agent, or Firm* — Montgomery Patent & Design LLC; Robert C. Montgomery

(57) **CLAIM**

The ornamental design for a swivel shepherd hook, as shown and described.

DESCRIPTION

FIG. 1 is a perspective front view of a swivel shepherd hook, showing my new design;

FIG. 2 is a front view thereof;

FIG. 3 is a rear view thereof;

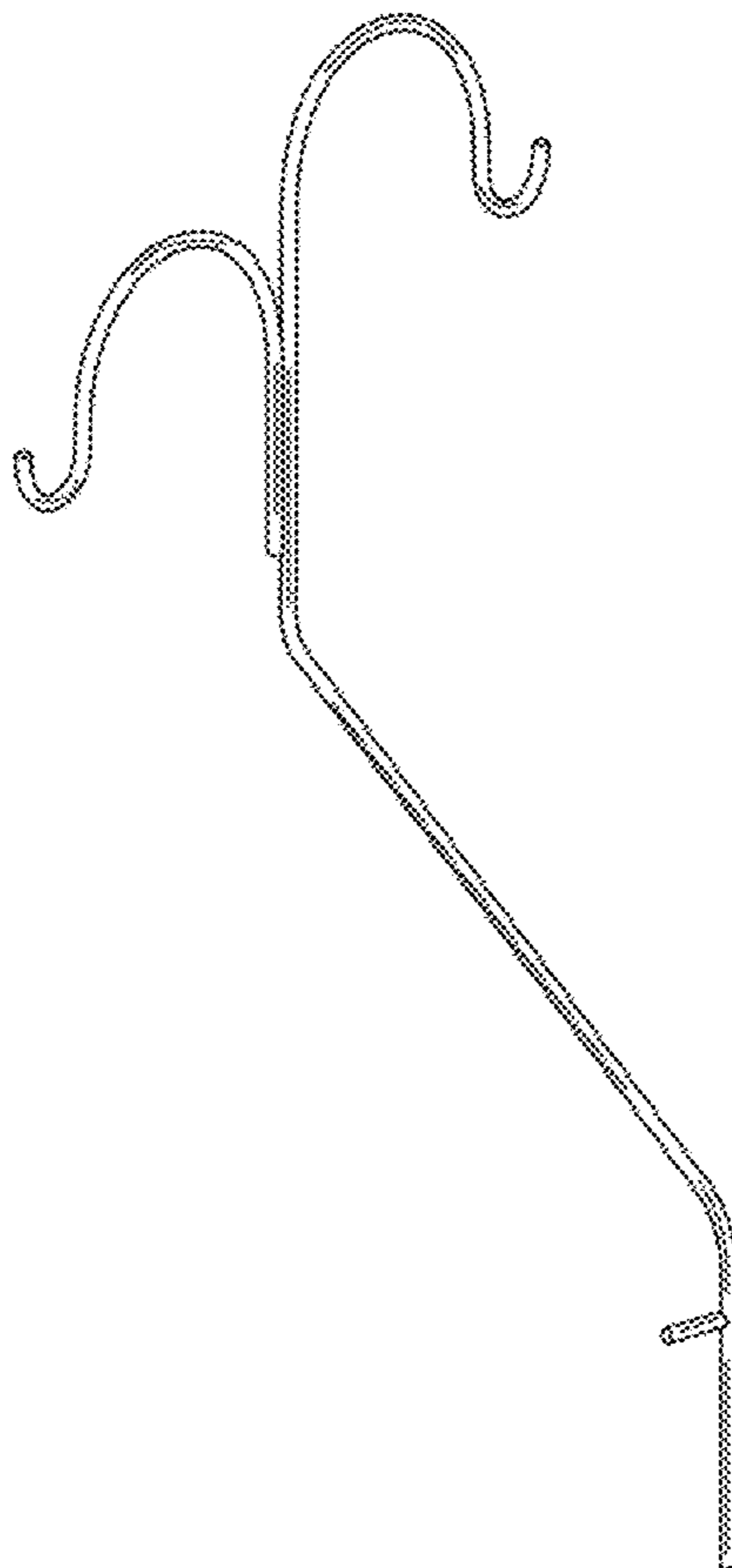
FIG. 4 is a left side view thereof;

FIG. 5 is a right side view thereof;

FIG. 6 is a top view thereof; and,

FIG. 7 is a bottom view thereof.

1 Claim, 7 Drawing Sheets



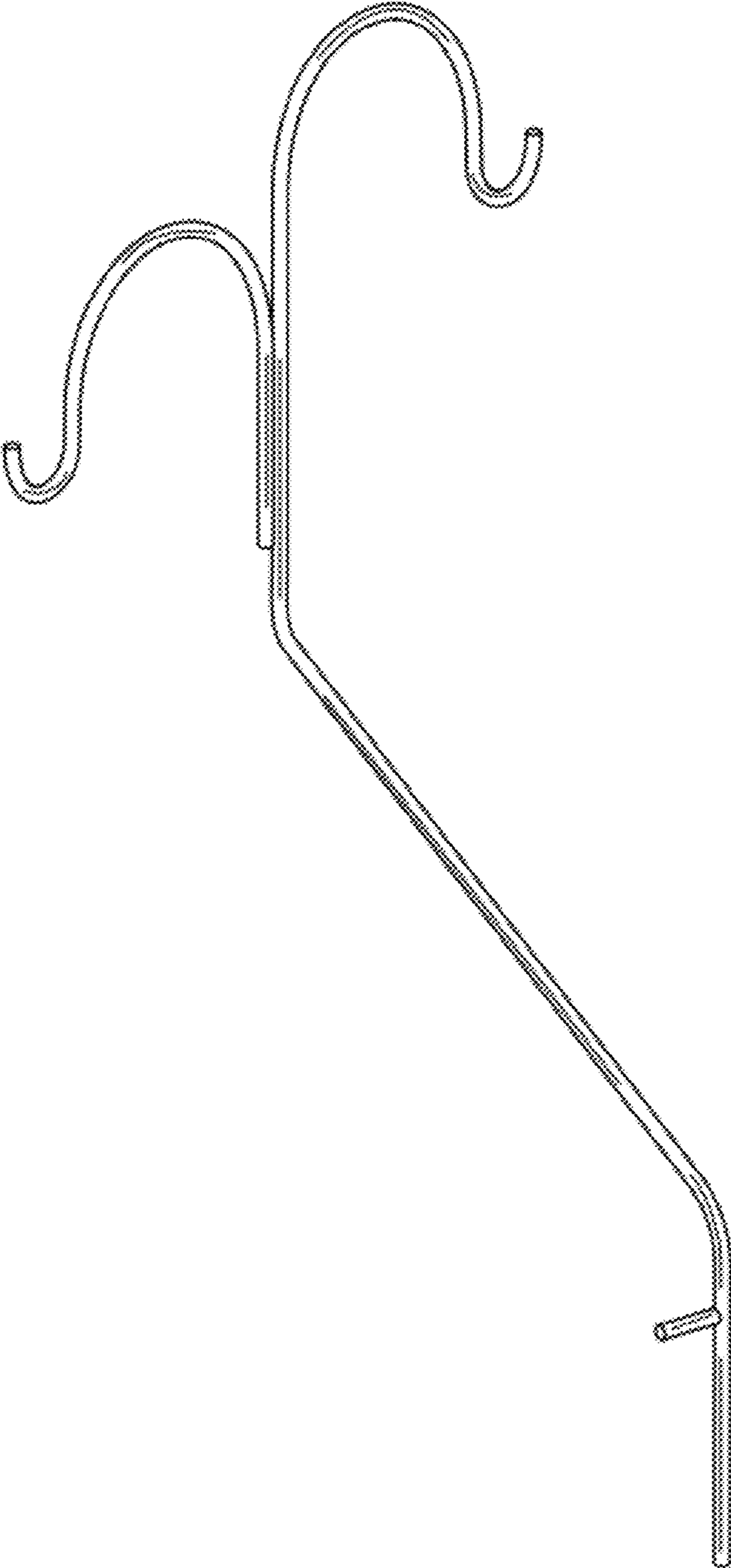


Fig. 1

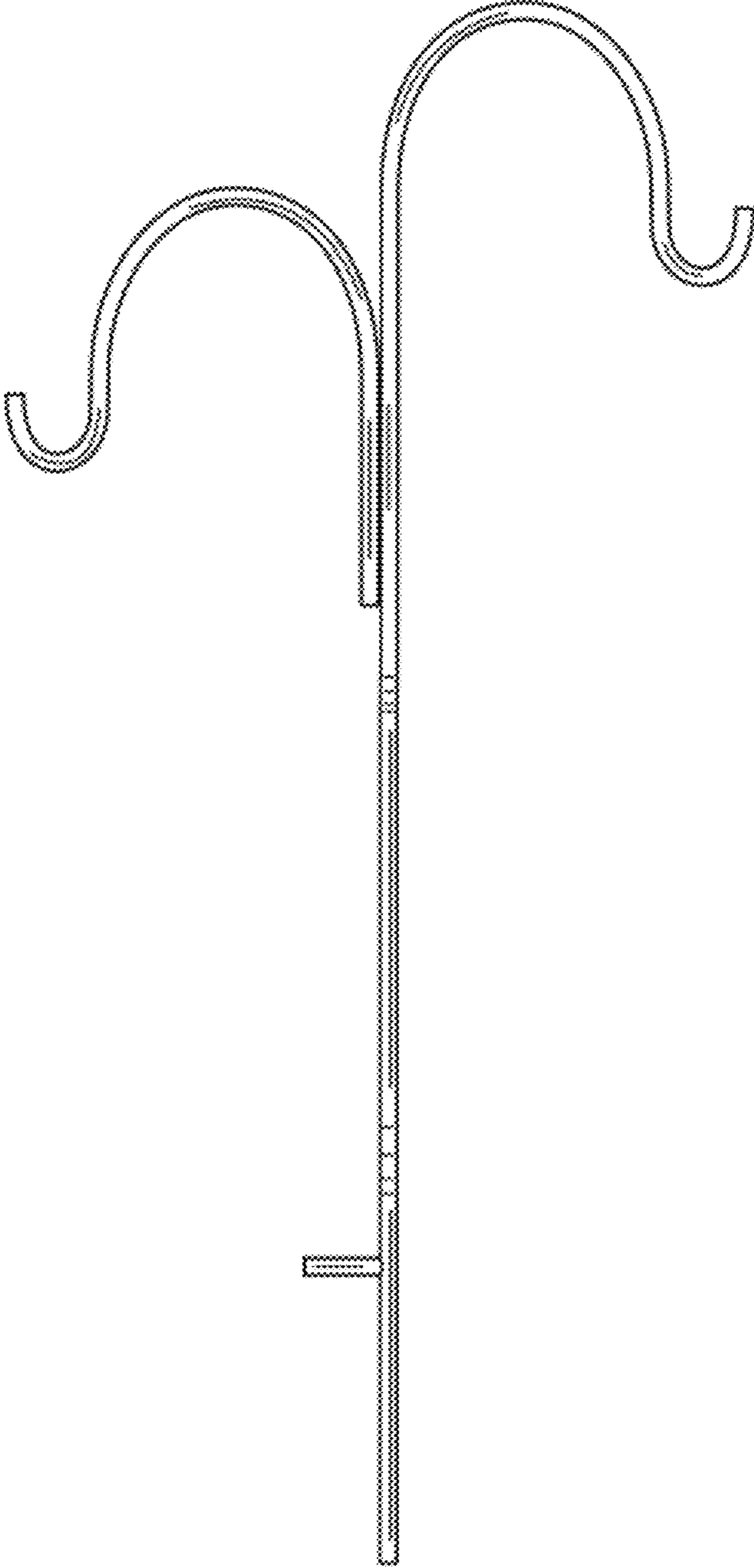


Fig. 2

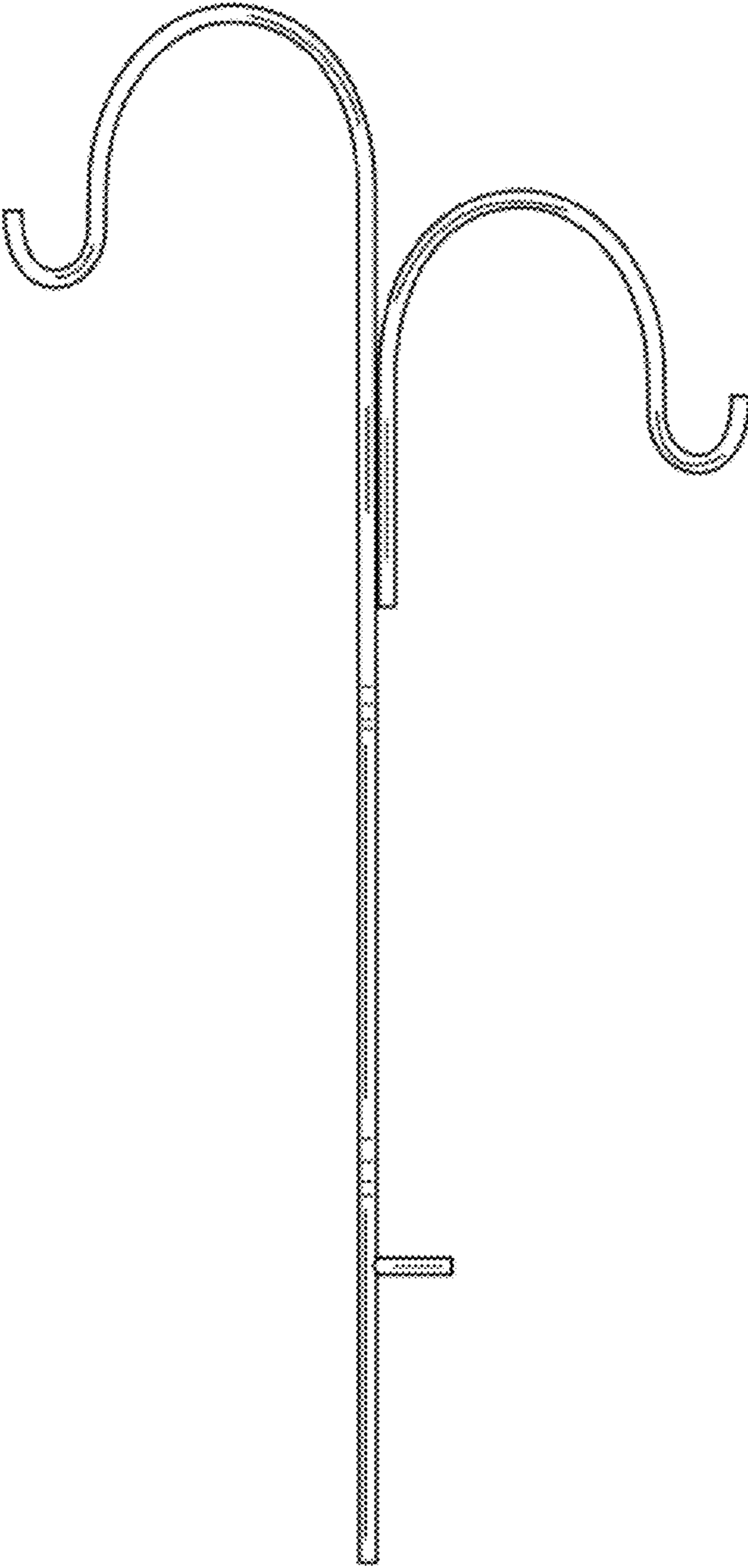


Fig. 3

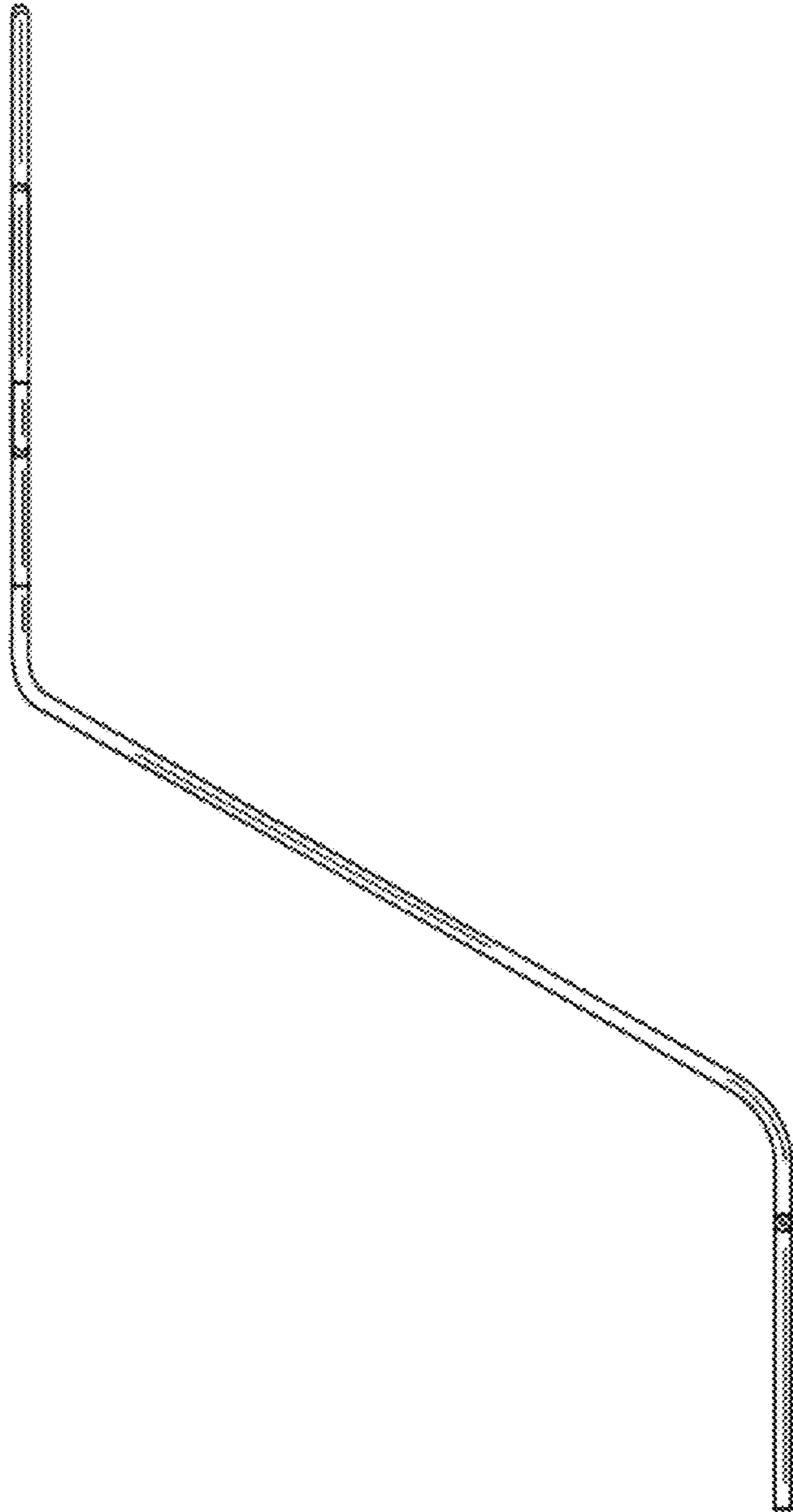


Fig. 4

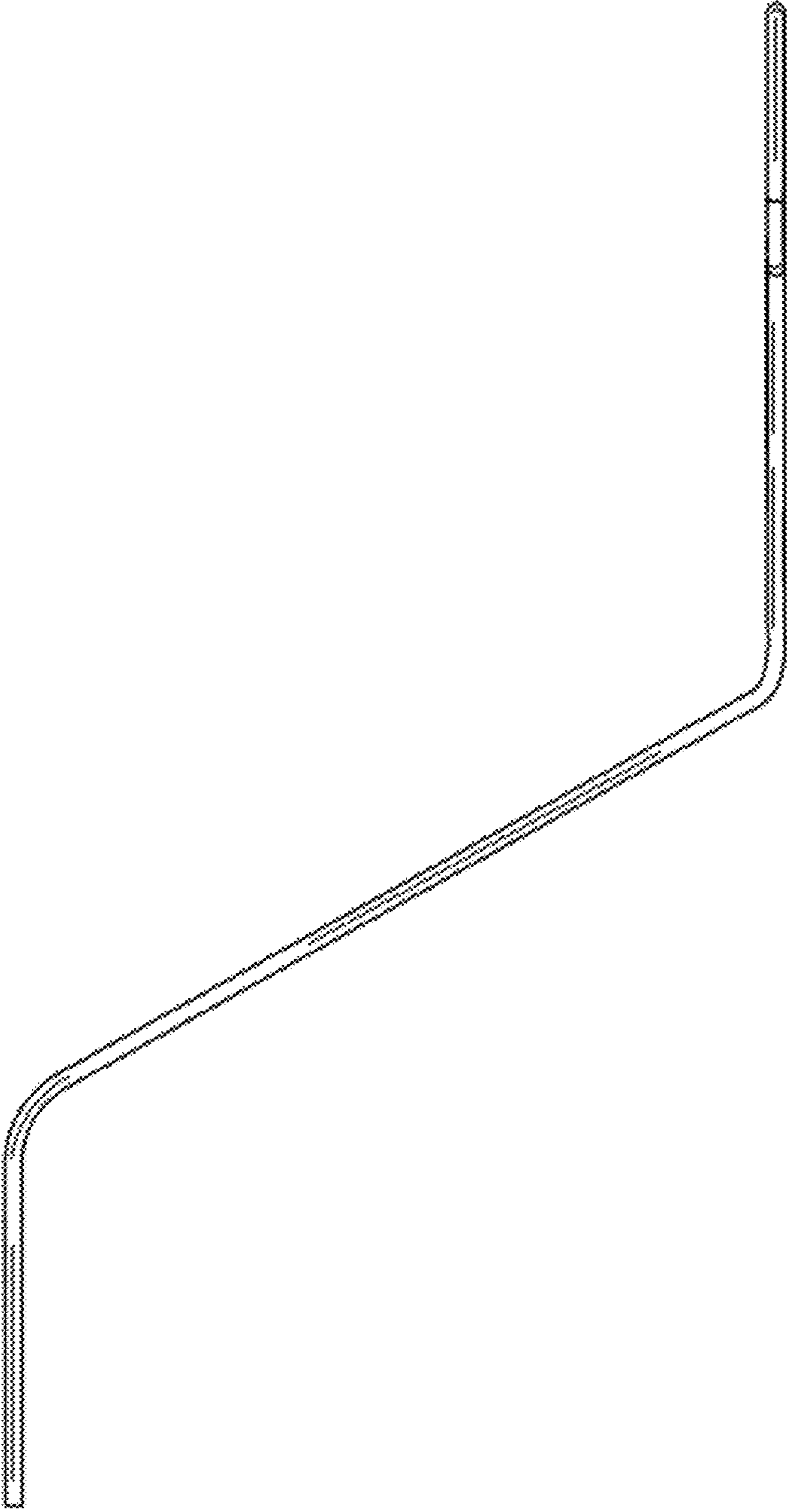


Fig. 5

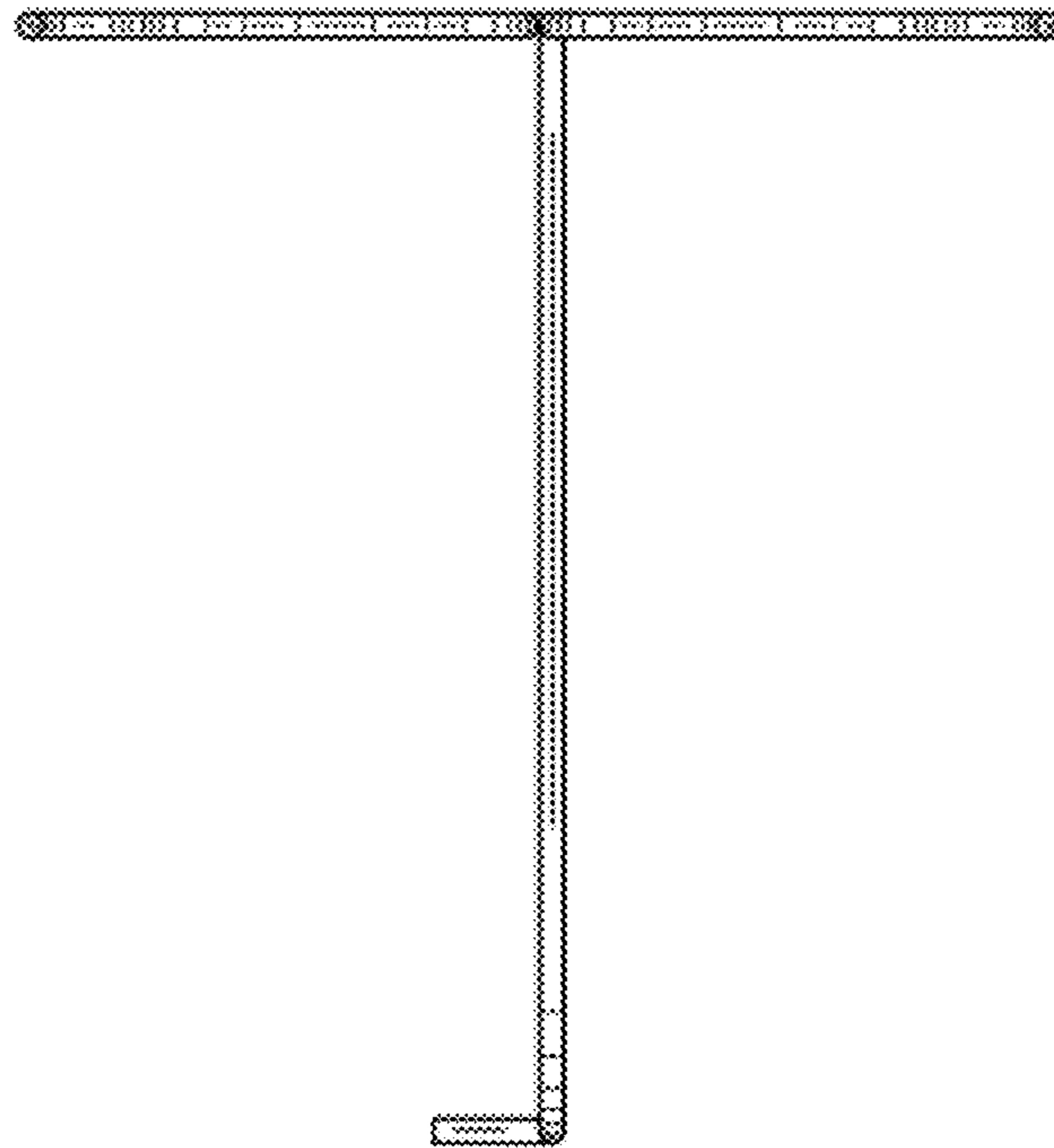


Fig. 6

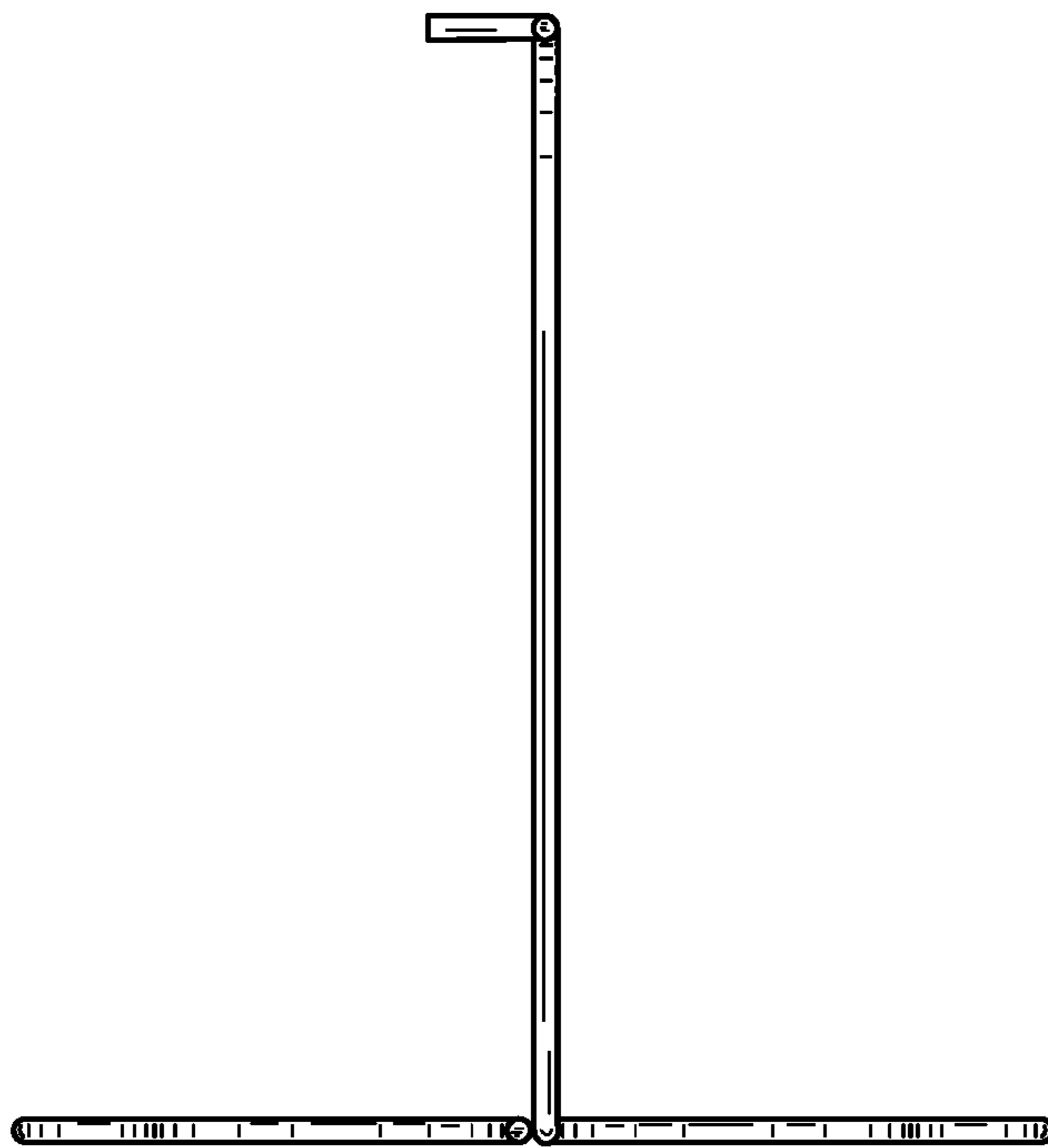


Fig. 7