



US00D679918S

(12) **United States Design Patent**
Souhlas

(10) **Patent No.:** **US D679,918 S**

(45) **Date of Patent:** **** Apr. 16, 2013**

(54) **SOFA**

(76) Inventor: **Despina Souhlas**, Riverside, IL (US)

(**) Term: **14 Years**

(21) Appl. No.: **29/399,796**

(22) Filed: **Aug. 18, 2011**

(51) **LOC (9) Cl.** **06-01**

(52) **U.S. Cl.**
USPC **D6/381**

(58) **Field of Classification Search** D6/334-338,
D6/349, 355, 361, 368-370, 376, 379-381,
D6/492, 500-502; 297/16.1, 42, 94, 135,
297/175, 232, 233, 350, 351, 445.1, 448.1,
297/448.2, 451.9; 5/12.1, 12.2

See application file for complete search history.

(56) **References Cited**

U.S. PATENT DOCUMENTS

D494,772 S	*	8/2004	Kagan	D6/381
D530,929 S	*	10/2006	Resterhouse et al.	D6/336
D530,937 S	*	10/2006	Barrett	D6/381
D576,820 S	*	9/2008	Priestman	D6/381

* cited by examiner

Primary Examiner — Sandra Snapp

(74) *Attorney, Agent, or Firm* — McAndrews, Held & Malloy, Ltd.

(57) **CLAIM**

The ornamental design for a sofa, as shown and described.

DESCRIPTION

FIG. 1 is a front perspective view of a sofa showing my new design;

FIG. 2 is a top plan view thereof;

FIG. 3 is a front elevation view thereof;

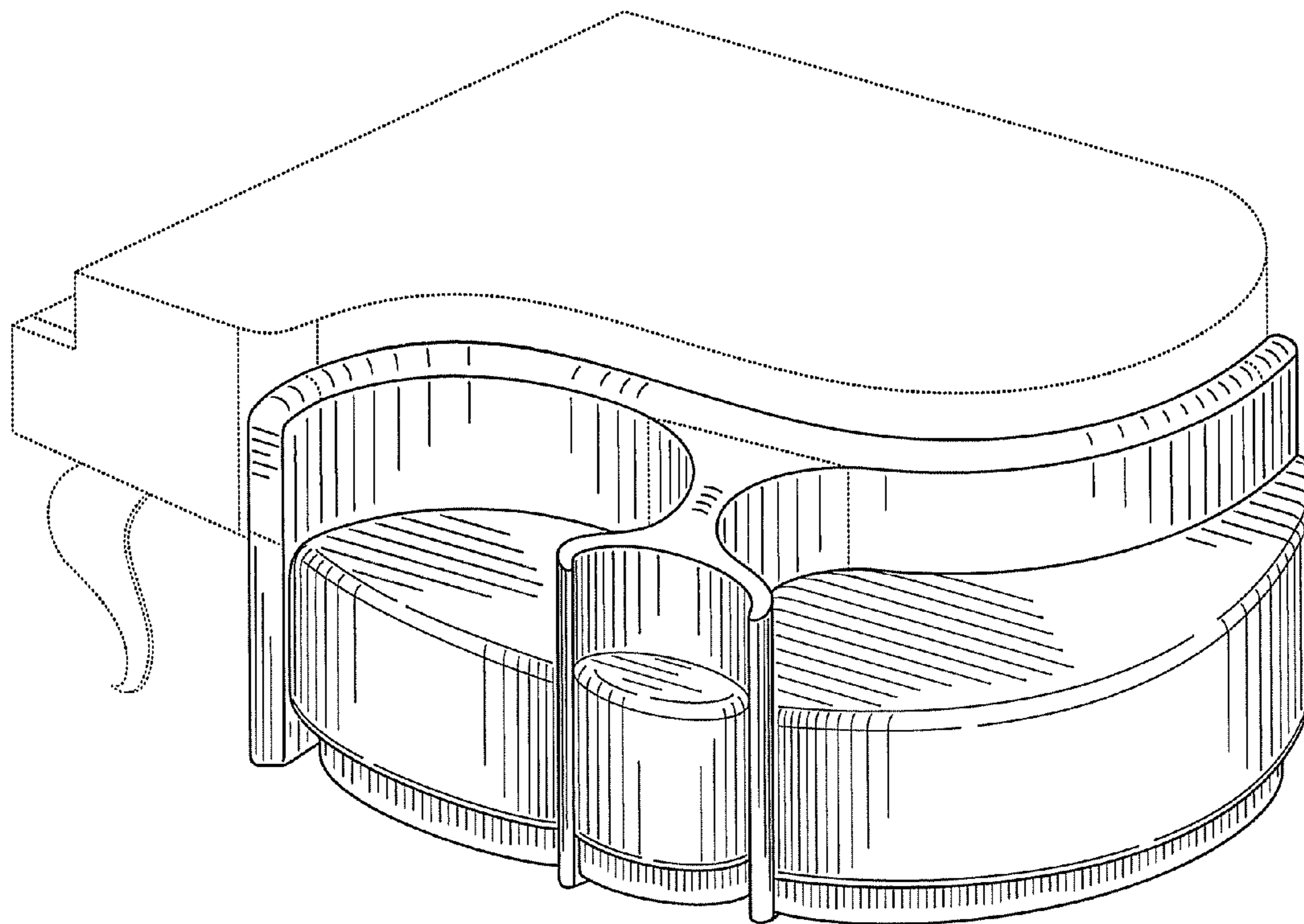
FIG. 4 is rear elevation view thereof;

FIG. 5 is a back perspective view thereof; and,

FIG. 6 is a front perspective view of thereof with environmental subject matter shown in dotted lines.

The broken lines in the drawings represent environmental subject matter and form no part of the claimed design.

1 Claim, 3 Drawing Sheets



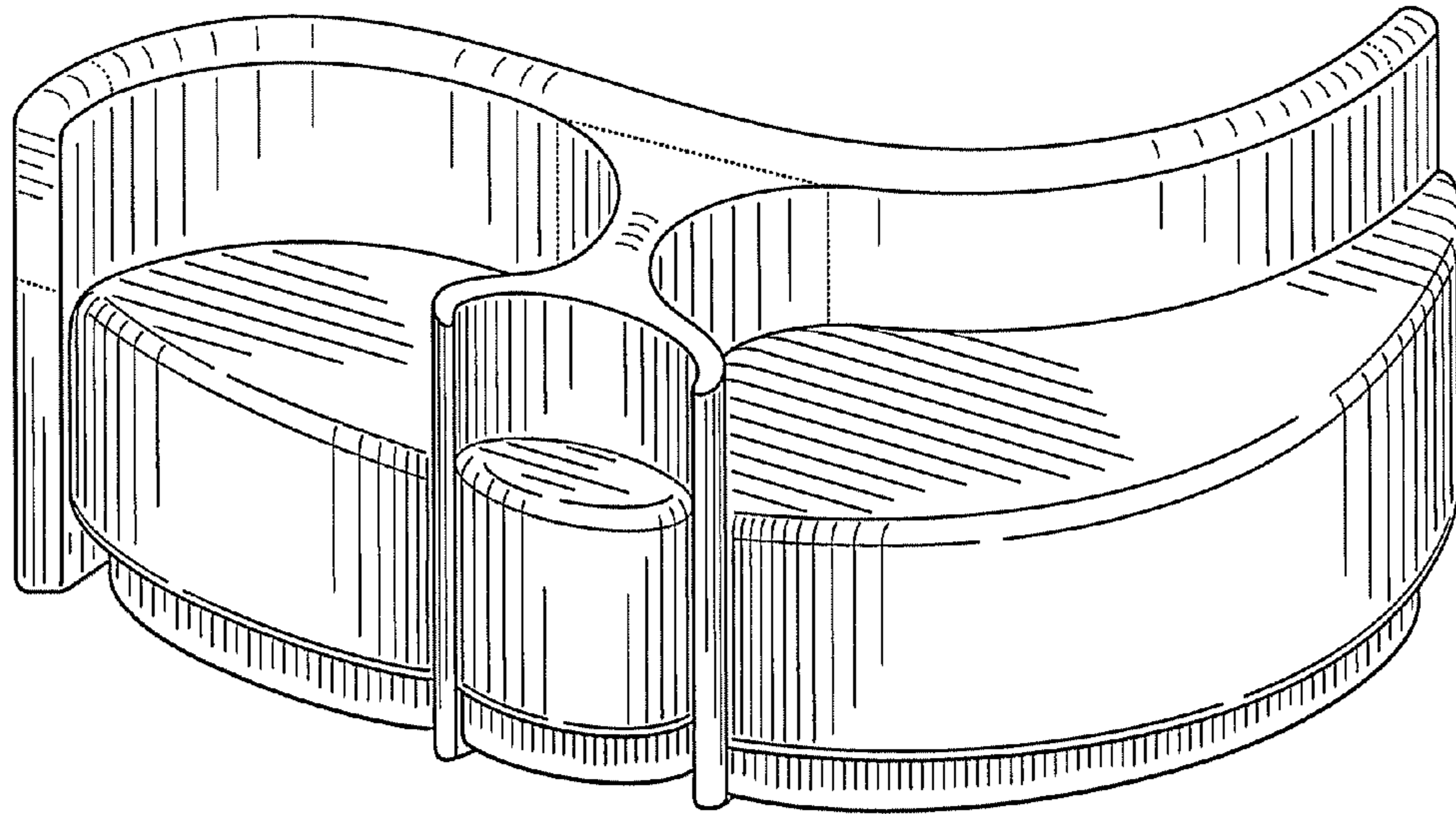


FIG. 1

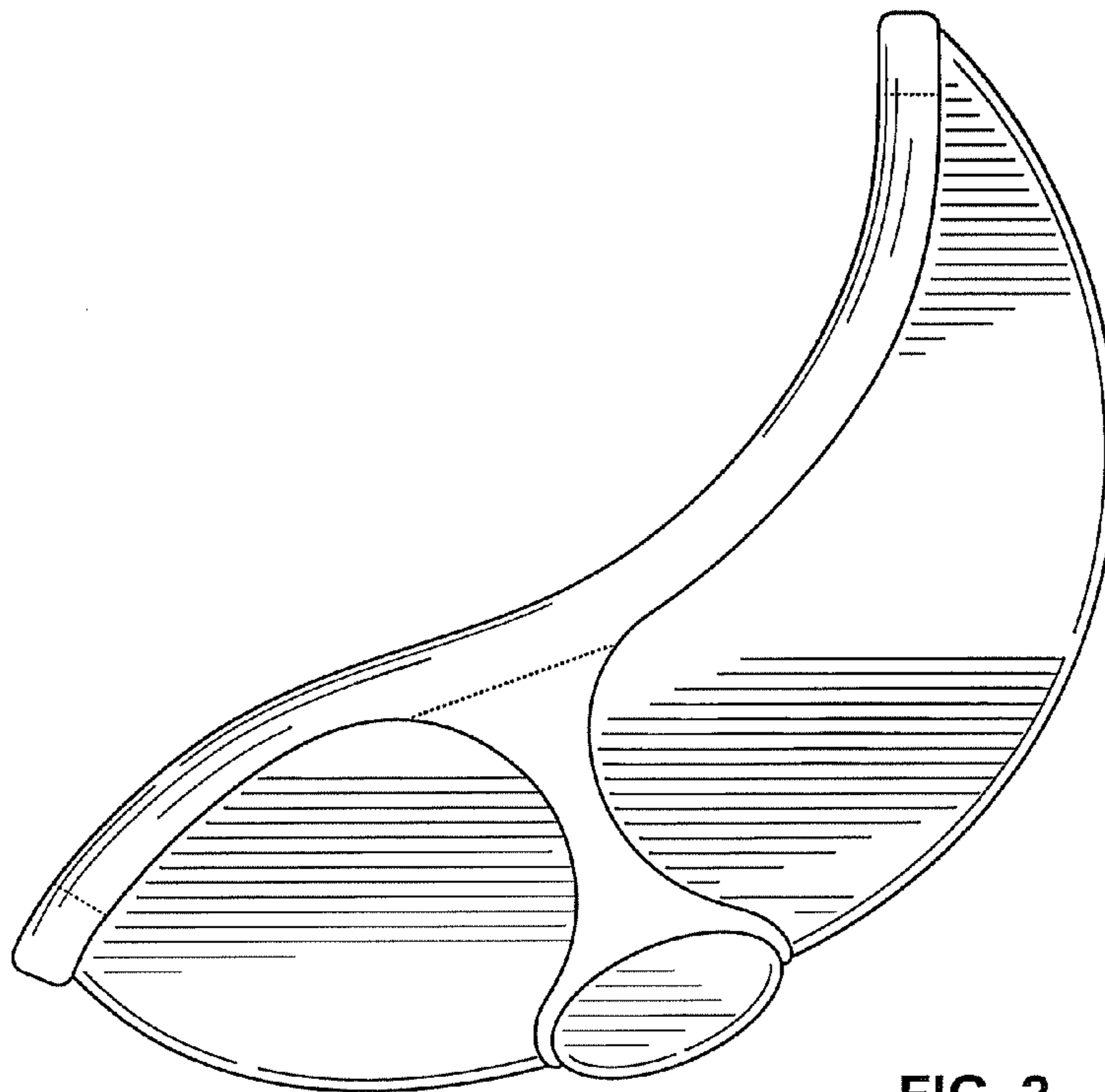


FIG. 2

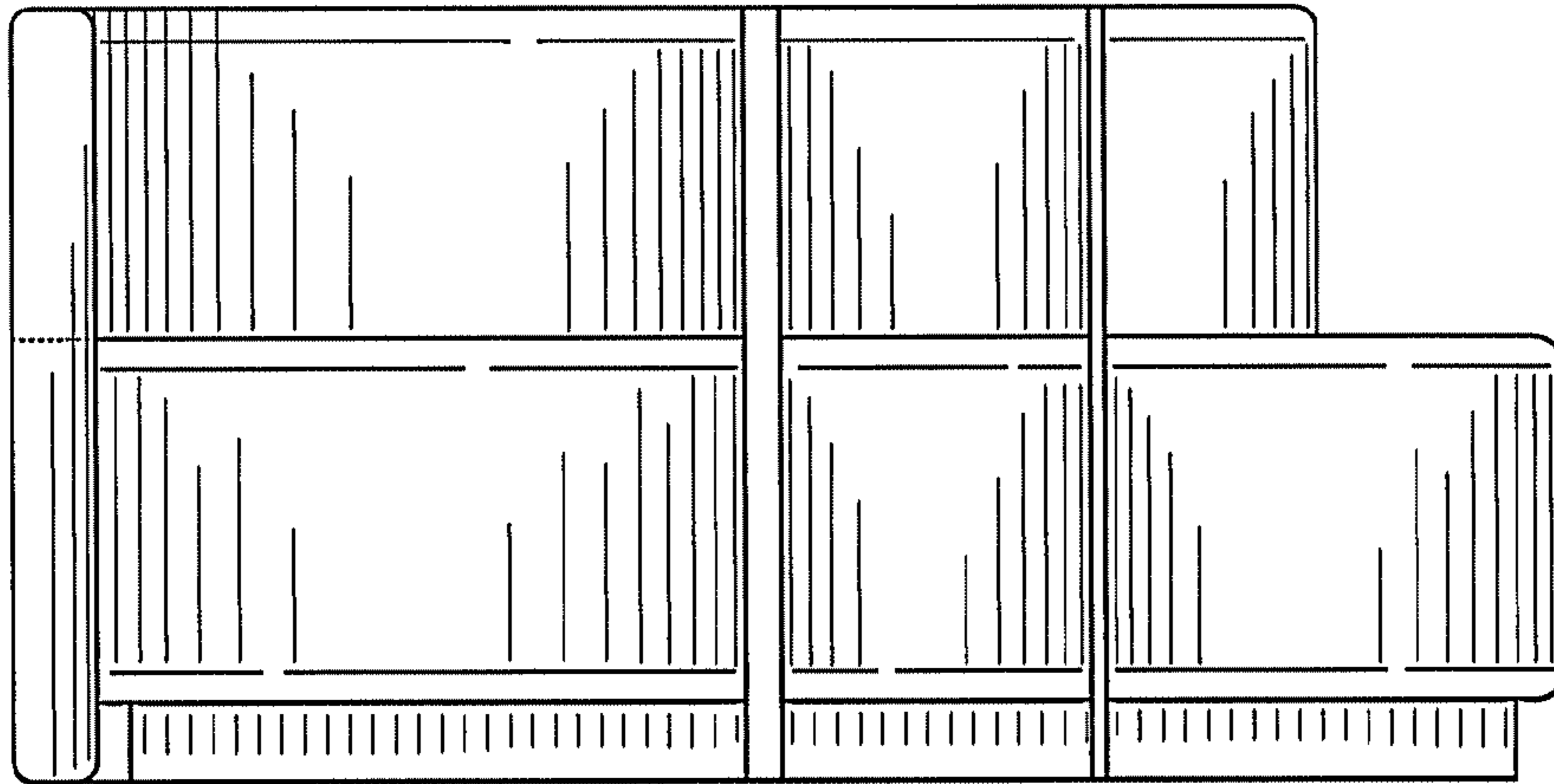


FIG. 3

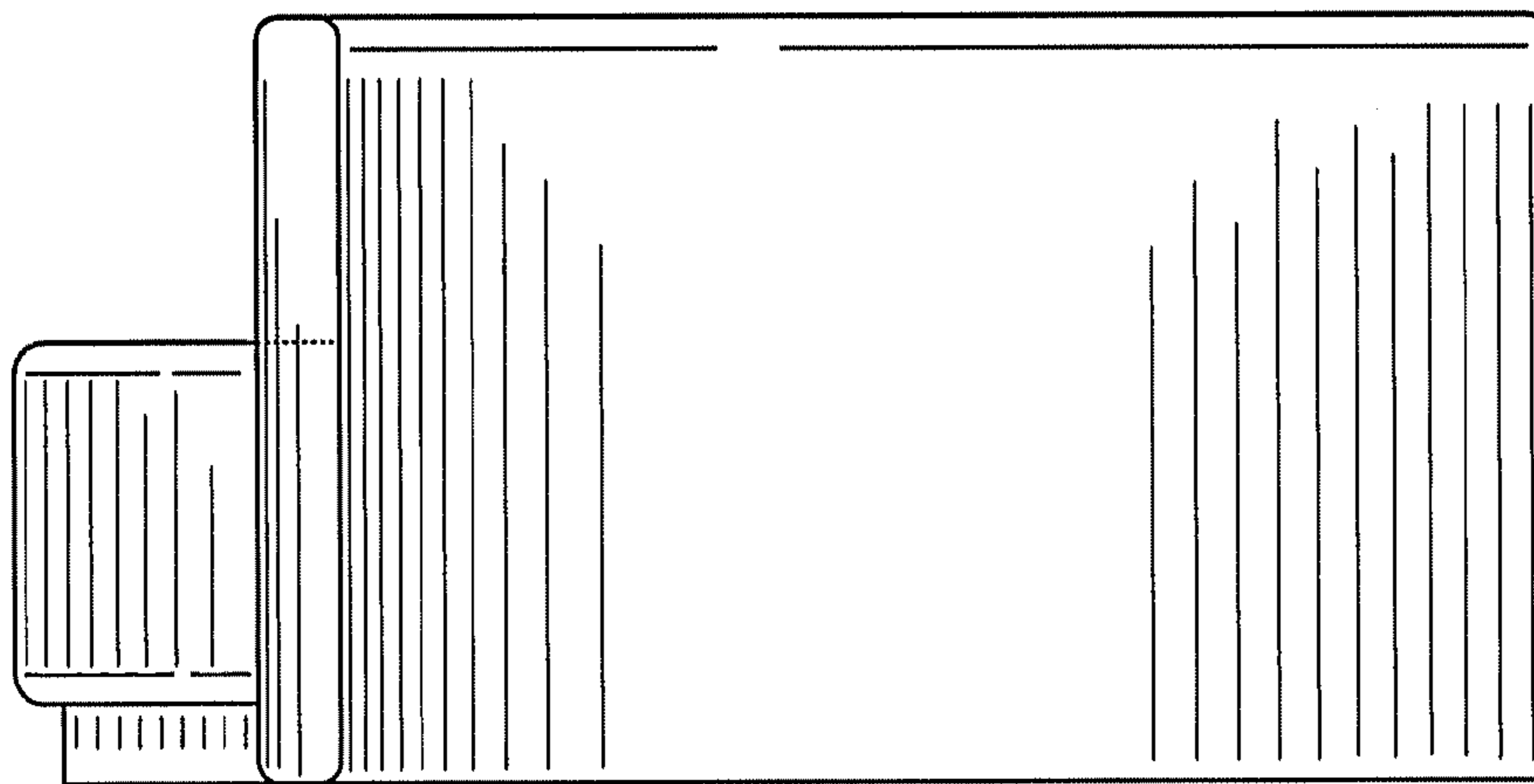


FIG. 4

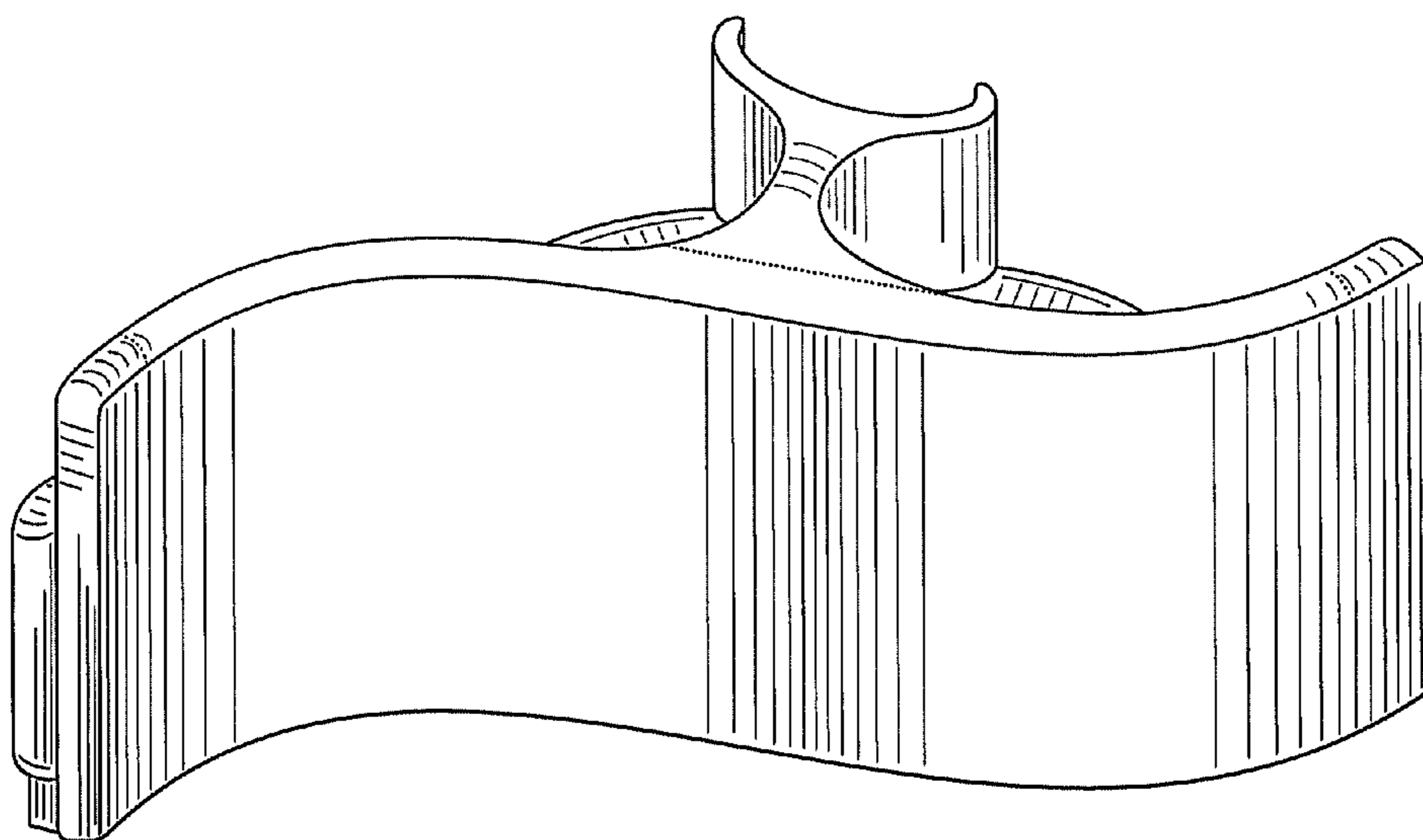


FIG. 5

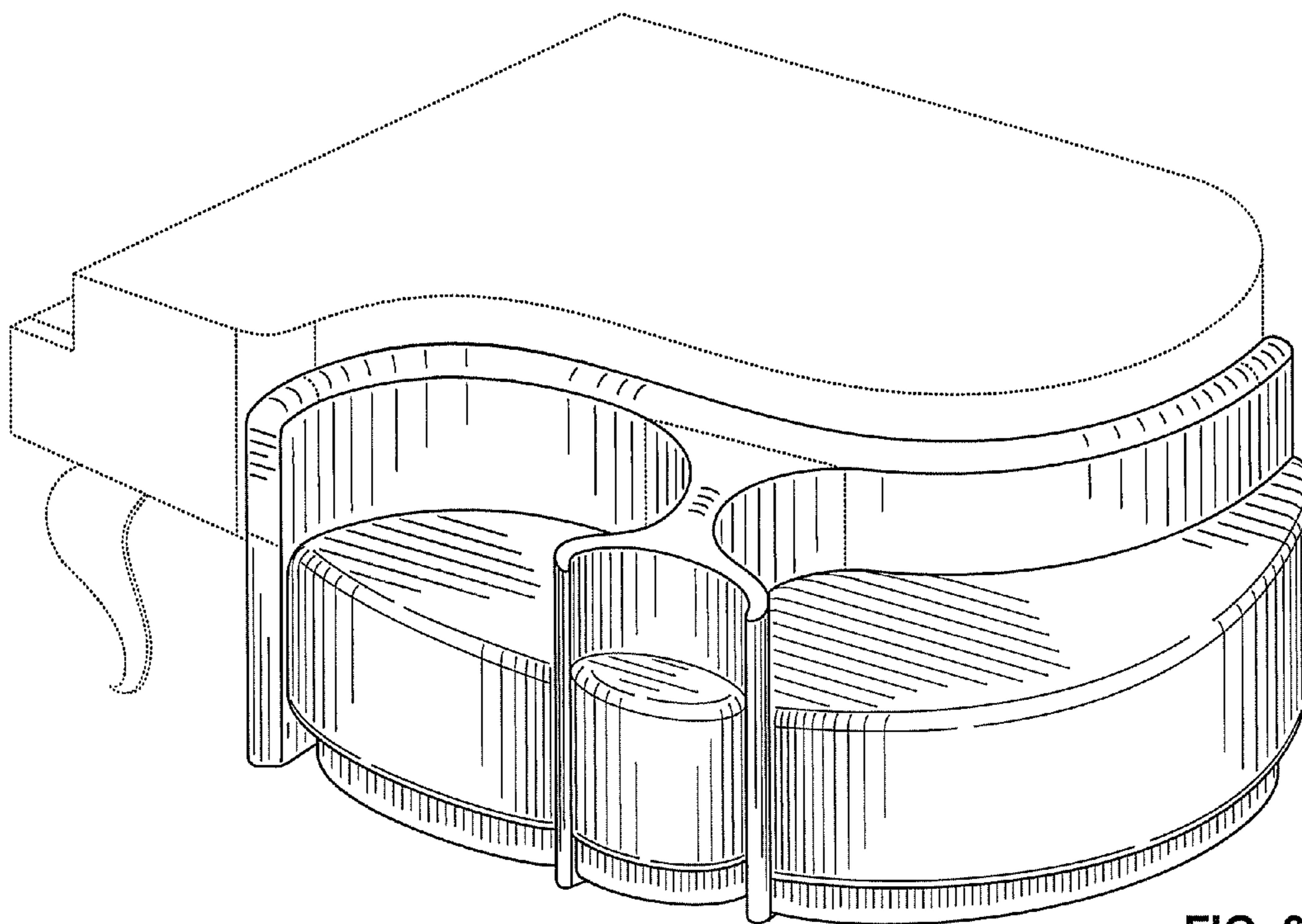


FIG. 6