



US00D679917S

(12) **United States Design Patent**  
**Egbert**

(10) **Patent No.:** **US D679,917 S**  
(45) **Date of Patent:** **\*\* Apr. 16, 2013**

- (54) **ADIRONDACK CLUB CHAIR**
- (76) Inventor: **Paul Egbert**, Franklin, TN (US)
- (\*\*) Term: **14 Years**
- (21) Appl. No.: **29/428,701**
- (22) Filed: **Aug. 2, 2012**
- (51) **LOC (9) Cl.** ..... **06-01**
- (52) **U.S. Cl.**  
USPC ..... **D6/370**
- (58) **Field of Classification Search** ..... D6/334–336,  
D6/348, 360–381, 388, 403, 498, 500–502,  
D6/601; 297/22, 31, 35, 239, 284.4–284.5,  
297/291, 297, 302.4, 411.2, 411.27–411.29,  
297/440.13, 440.15, 451.1, 452.13, 452.19,  
297/452.21, 452.29, 452.3, 452.56, 452.64  
See application file for complete search history.

2,600,626	A *	6/1952	Ellingson	.....	297/31
4,635,998	A *	1/1987	Hickey	.....	297/31
4,707,023	A *	11/1987	Hickey	.....	297/31
D320,706	S *	10/1991	McInerny	.....	D6/370
D350,860	S *	9/1994	Greeson	.....	D6/370
D413,736	S *	9/1999	Jackson	.....	D6/367
D425,719	S *	5/2000	Chalmers et al.	.....	D6/370
D487,988	S *	4/2004	Hutton	.....	D6/370
D509,970	S *	9/2005	Adams	.....	D6/368
7,401,854	B2 *	7/2008	Adams	.....	297/239
D646,071	S *	10/2011	Bogdan et al.	.....	D6/370
D646,075	S *	10/2011	Bogdan et al.	.....	D6/375
D649,816	S *	12/2011	Hassman	.....	D6/502
D660,040	S *	5/2012	Bogdan et al.	.....	D6/370
8,167,377	B2 *	5/2012	Kovach	.....	297/440.13
D668,075	S *	10/2012	Mosley	.....	D6/403

\* cited by examiner

*Primary Examiner* — Ricky Pham

(57) **CLAIM**

The ornamental design for an adirondack club chair, as shown and described.

(56) **References Cited**

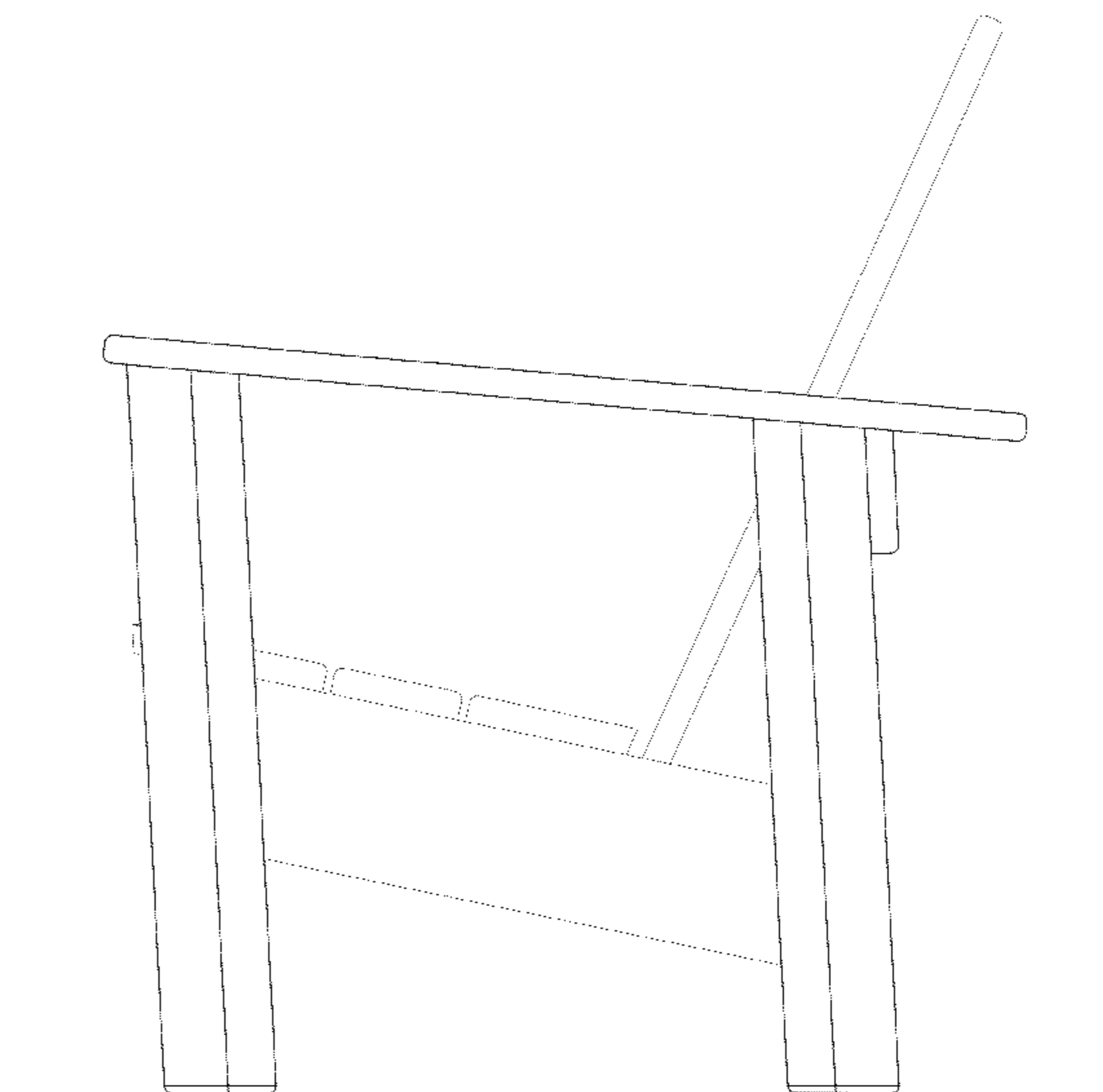
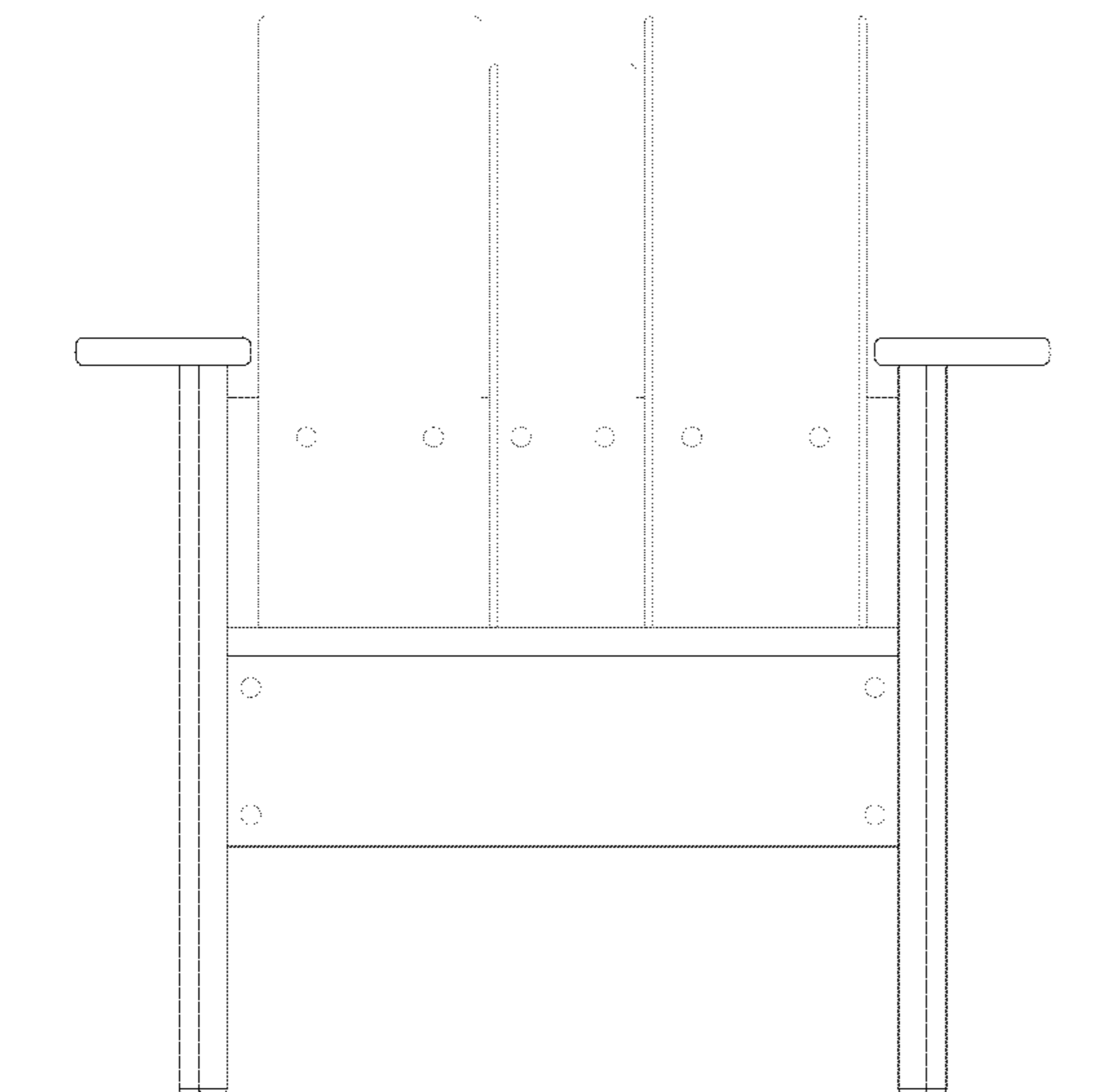
U.S. PATENT DOCUMENTS

D66,525	S *	1/1925	Wurdack et al.	.....	D6/374
D68,027	S *	8/1925	Wurdack	.....	D6/370
D78,926	S *	7/1929	Gottlob	.....	D6/370
D84,585	S *	7/1931	Ledder et al.	.....	D6/370
1,919,820	A *	7/1933	Ashleman	.....	297/22
D109,239	S *	4/1938	Wolpin	.....	D6/370
2,118,676	A *	5/1938	Lankton	.....	297/302.4
2,222,296	A *	11/1940	Luiken	.....	297/31
D148,391	S *	1/1948	Plourde et al.	.....	D6/370
2,490,884	A *	12/1949	Rau	.....	297/440.15

**DESCRIPTION**

FIG. 1 is a top view of my new chair design.  
FIG. 2 is a front view of my new chair design.  
FIG. 3 is a back view of my new chair design.  
FIG. 4 is a left side view of my new chair design; and,  
FIG. 5 is a right side view of my new chair design.  
My chair design has a forward lean to the legs.

**1 Claim, 5 Drawing Sheets**



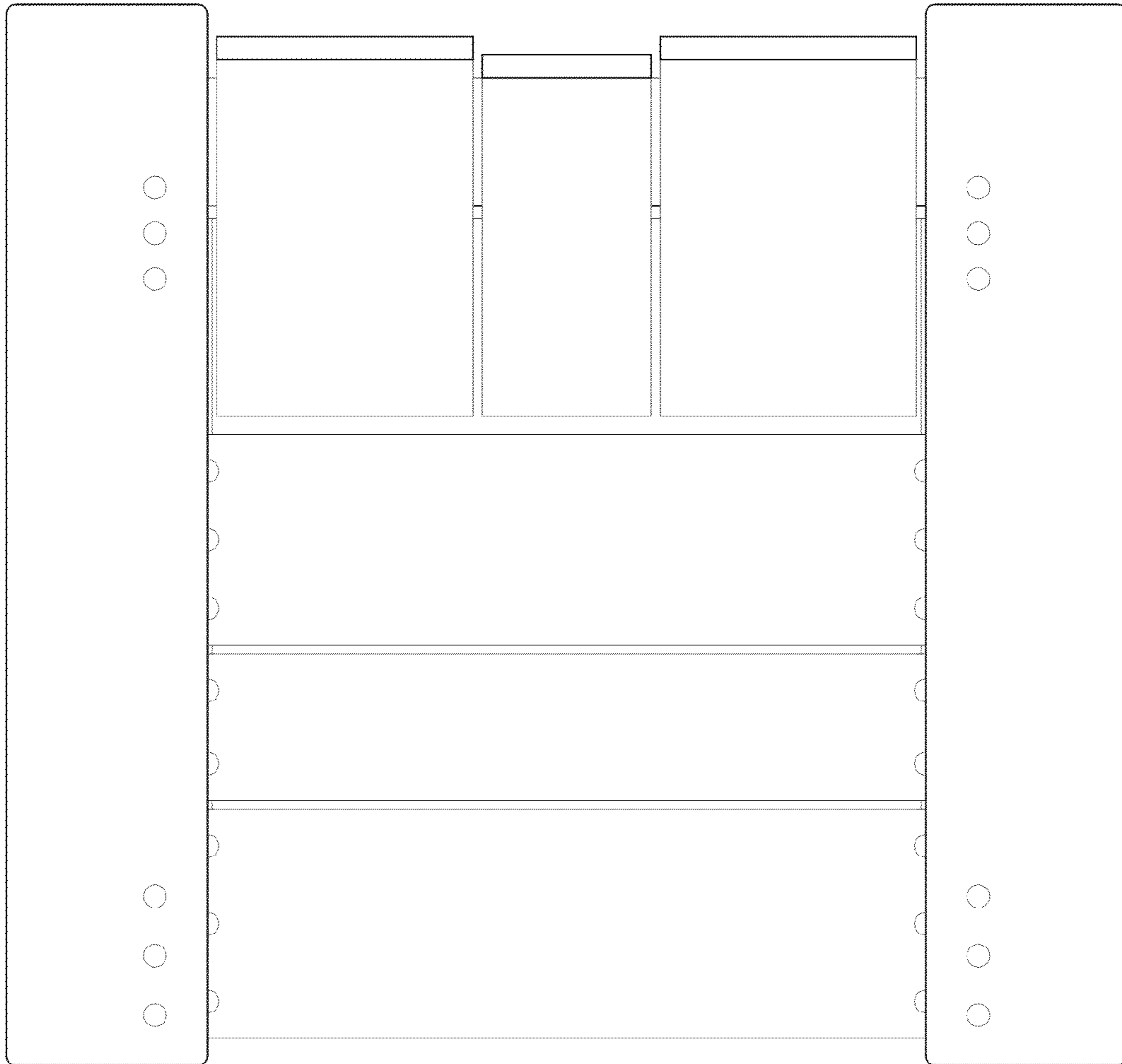


Fig. 1

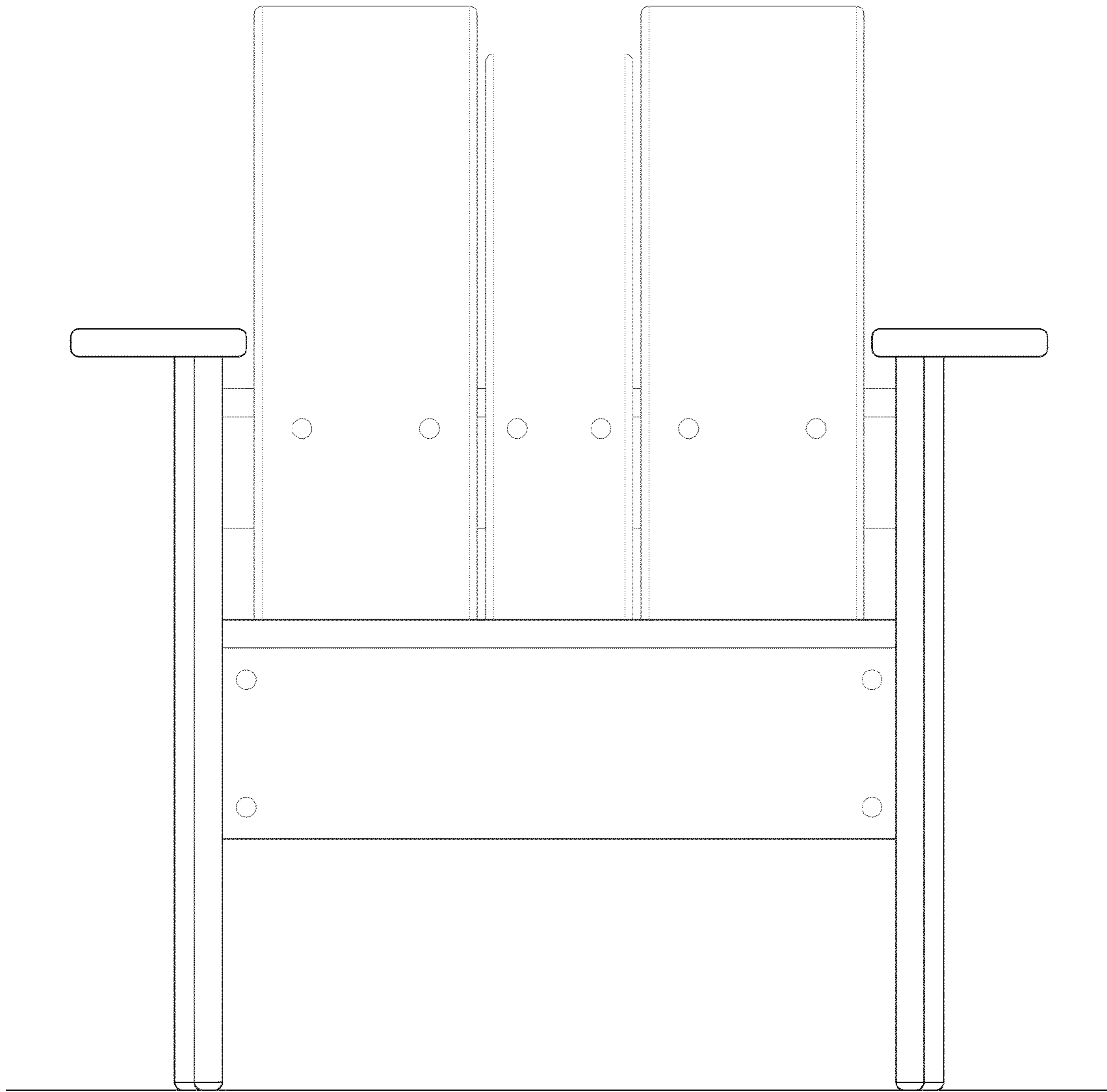


Fig. 2

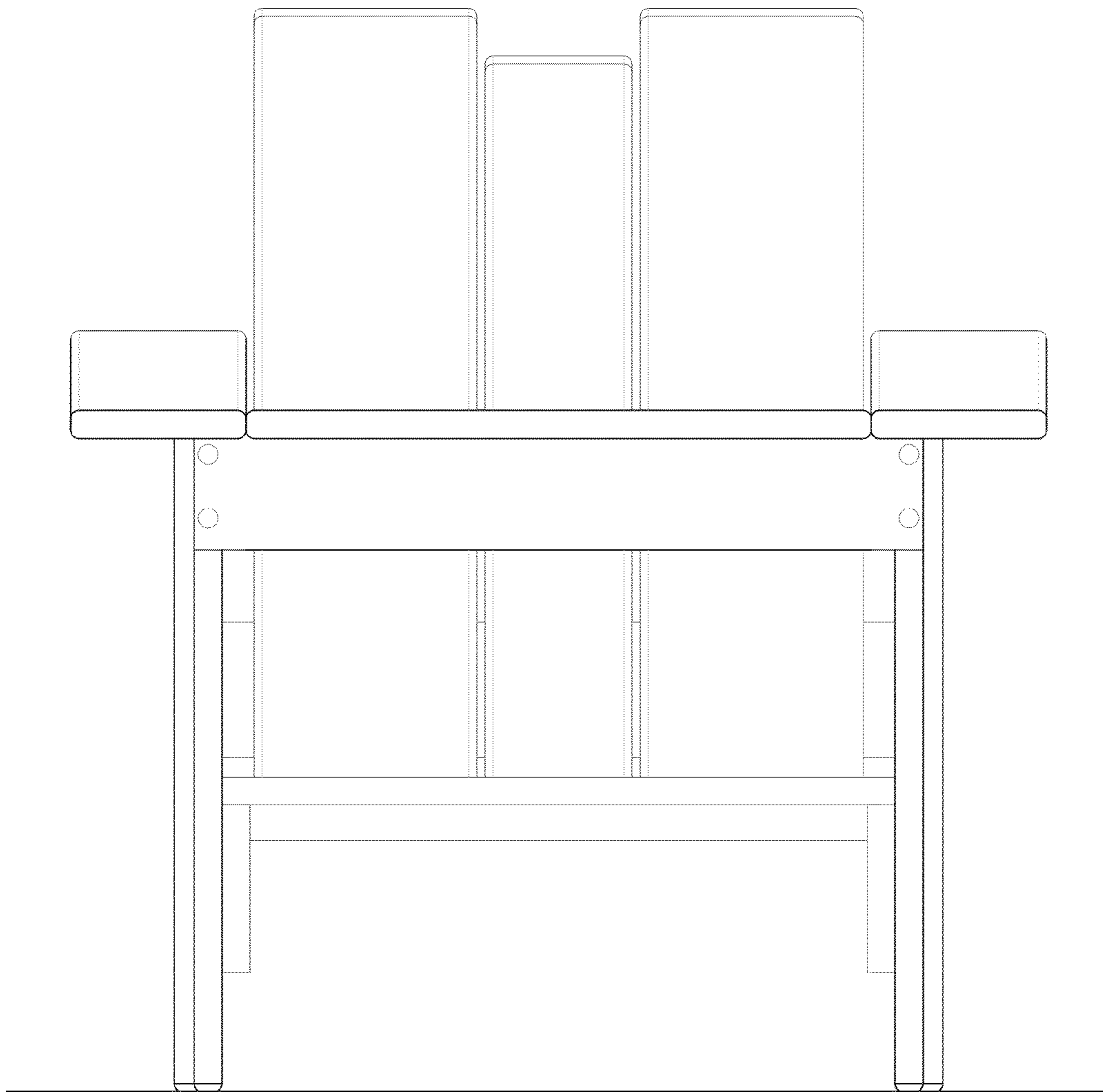


Fig. 3

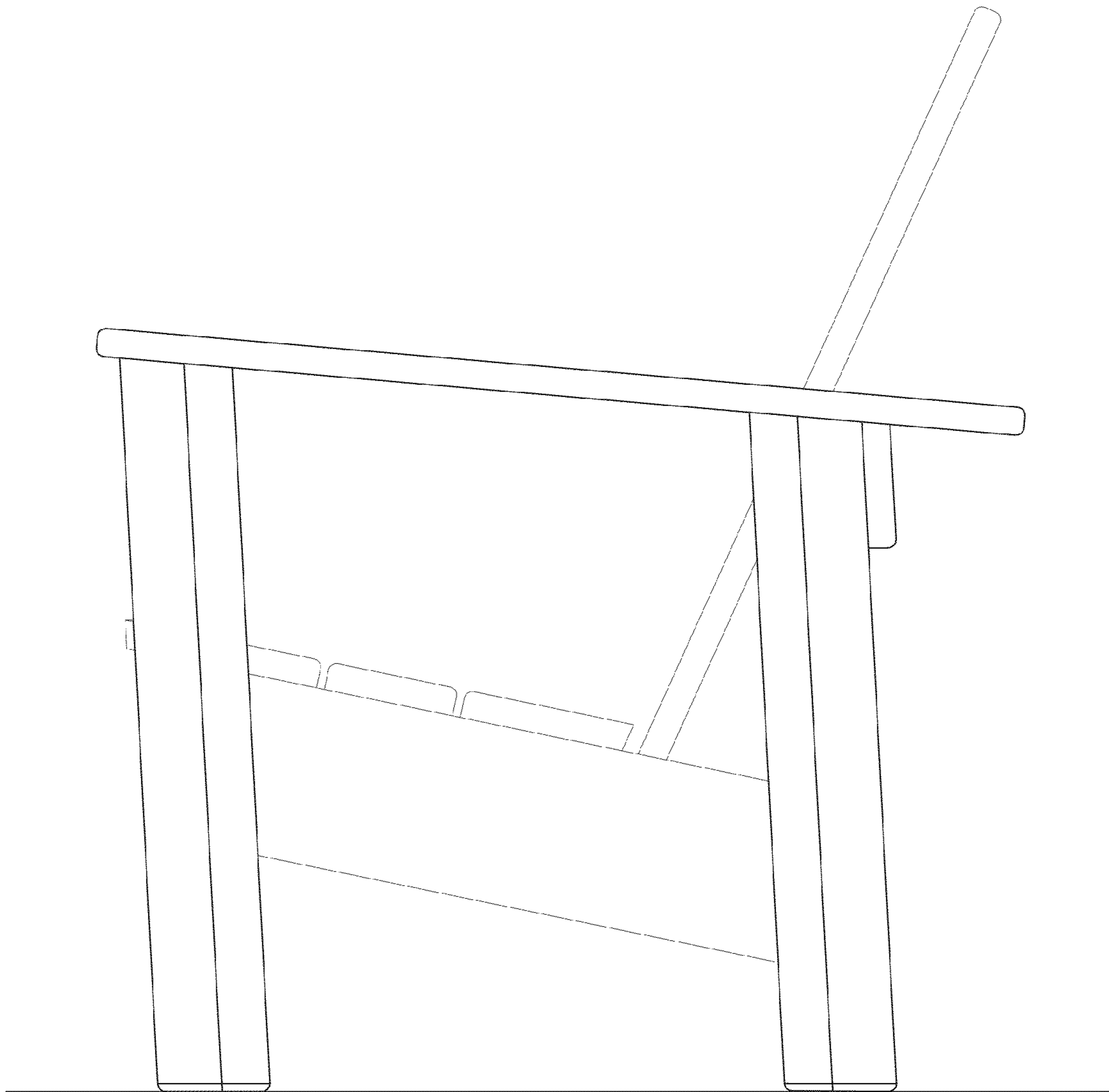


Fig. 4

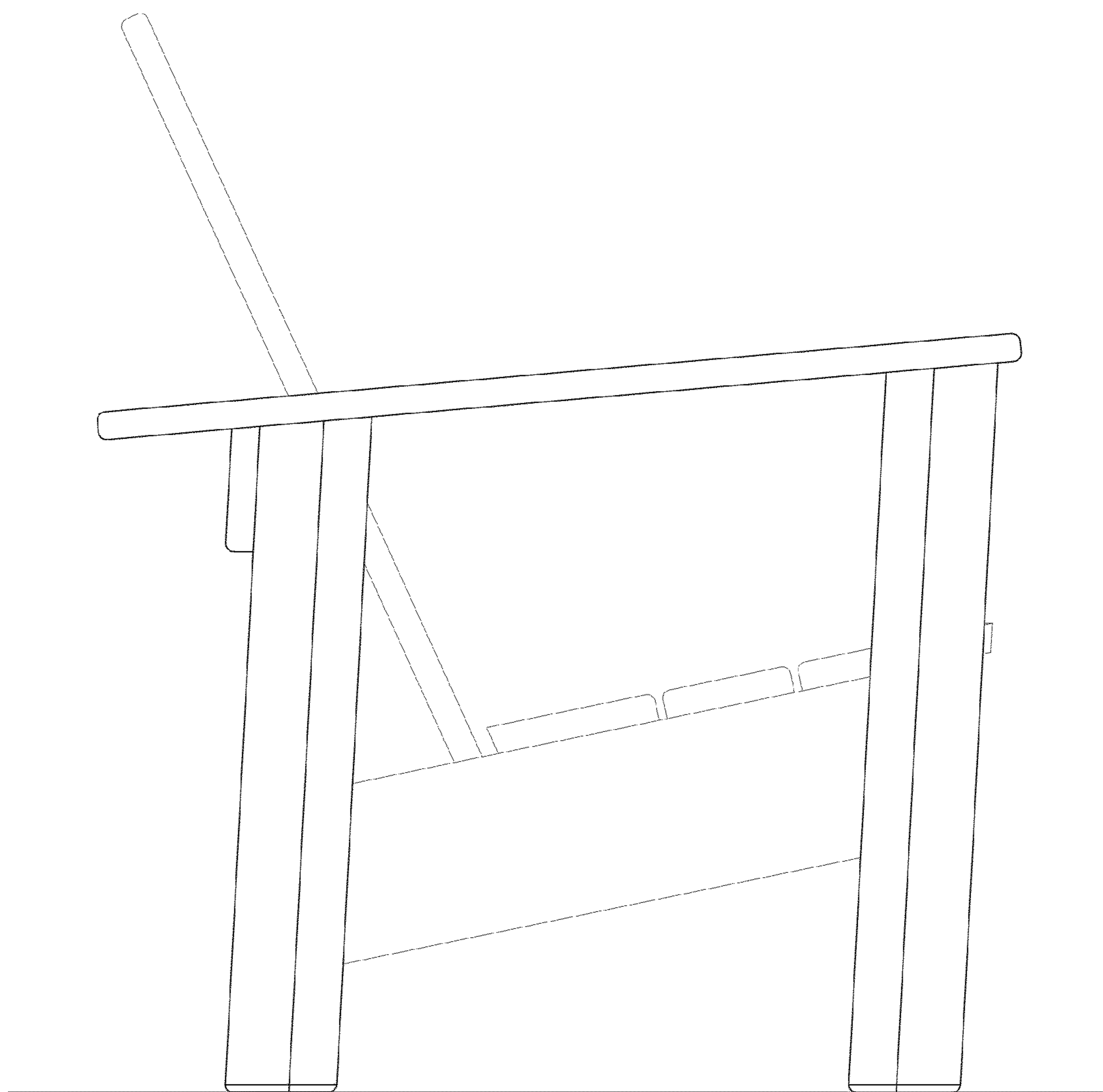


Fig. 5