



US00D679915S

(12) **United States Design Patent**
Sturmey

(10) **Patent No.:** **US D679,915 S**
(45) **Date of Patent:** **** *Apr. 16, 2013**

(54) **CHAIR WITH TRAY AND BUMPER BAR FOR INFANT**

(76) Inventor: **Tim Sturmey**, Huddersfield (GB)

(*) Notice: This patent is subject to a terminal disclaimer.

(**) Term: **14 Years**

(21) Appl. No.: **29/387,618**

(22) Filed: **Mar. 15, 2011**

(30) **Foreign Application Priority Data**

Dec. 3, 2010 (EM) 001247951-0001

(51) **LOC (9) Cl.** **06-01**

(52) **U.S. Cl.**
USPC **D6/339**

(58) **Field of Classification Search** D6/334-336,
D6/338-339, 491, 500-502; D12/129; D21/412,
D21/419; 280/30-31; 5/94, 98.1, 99.1, 101,
5/105, 655; 297/183.1-183.4, 184.13, 184.15,
297/184.17, 250.1, 256.1, 255, 256.15, 256.16,
297/174 R, 174 CS, 170-173

See application file for complete search history.

(56) **References Cited**

U.S. PATENT DOCUMENTS

D344,189	S	*	2/1994	Golenz et al.	D6/339
D426,965	S	*	6/2000	Wu	D6/339
D428,715	S	*	8/2000	Brevi	D6/339
D451,689	S	*	12/2001	Chen et al.	D6/339
D543,712	S	*	6/2007	Cheng	D6/339
D618,001	S	*	6/2010	Bearup et al.	D6/339
D619,382	S	*	7/2010	Chen et al.	D6/339

FOREIGN PATENT DOCUMENTS

EM 001247951-0001 12/2010

* cited by examiner

Primary Examiner — Caron D Veynar
Assistant Examiner — Abraham Bahta
(74) *Attorney, Agent, or Firm* — Powley & Gibson, P.C.

(57) **CLAIM**

I claim the ornamental design for a chair with tray and bumper bar for infant, as shown and described.

DESCRIPTION

FIG. 1 is a front perspective view of the chair with tray and bumper bar for infant, showing my new design;
FIG. 2 is a rear perspective view thereof;
FIG. 3 is a right side view thereof;
FIG. 4 is a front view thereof;
FIG. 5 is a left side view thereof;
FIG. 6 is a rear view thereof; and,
FIG. 7 is a top view thereof.

1 Claim, 7 Drawing Sheets

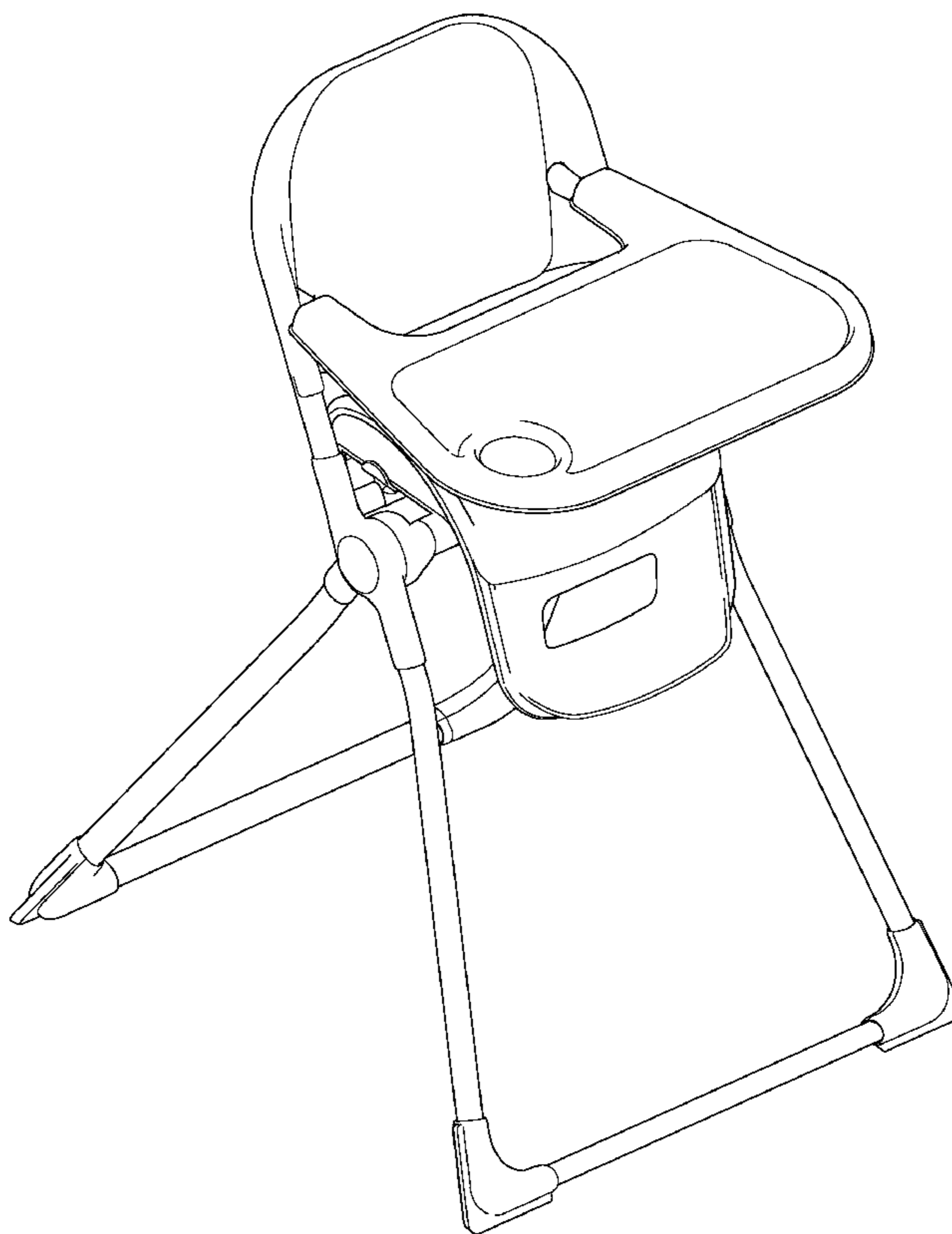


FIG. 1

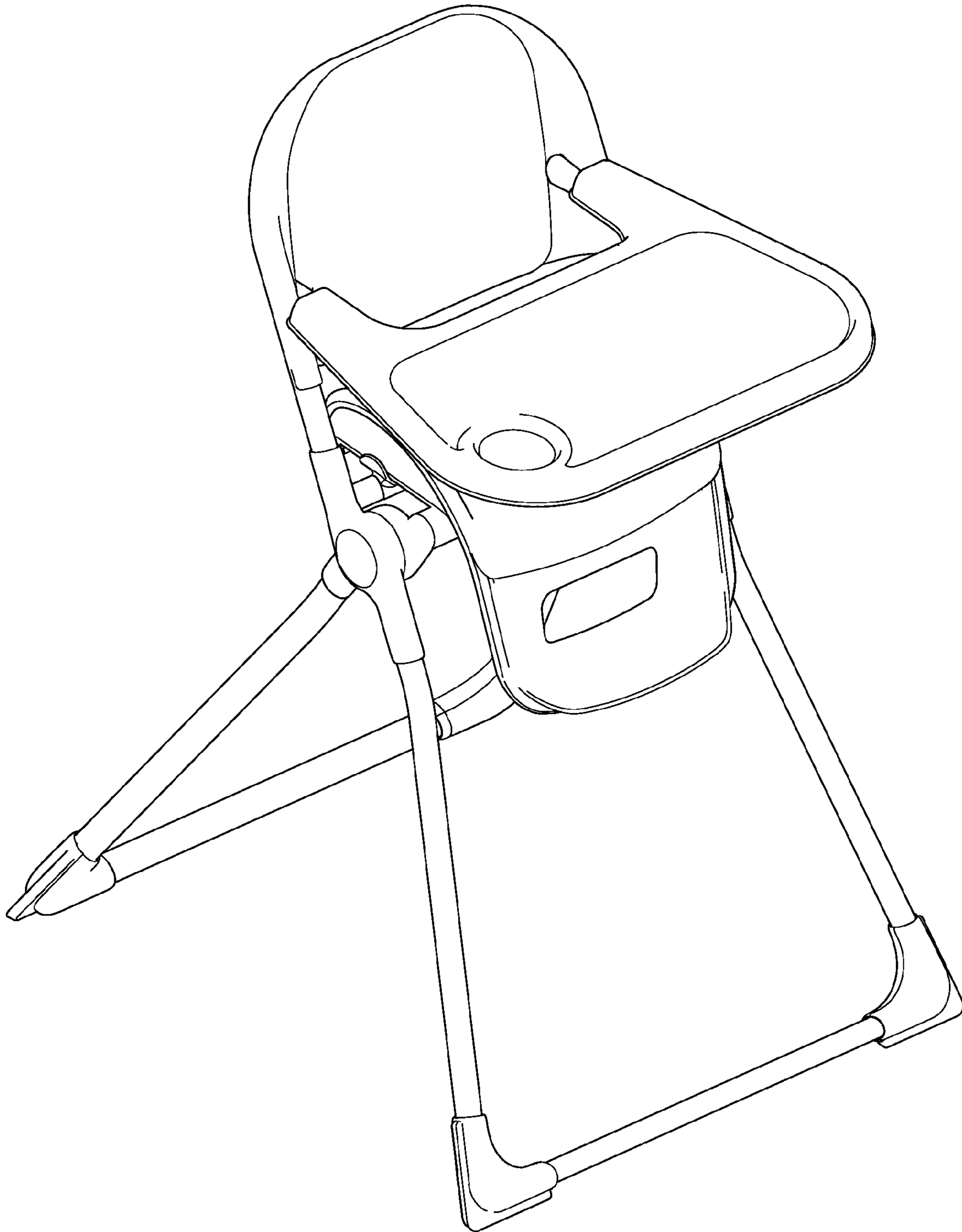


FIG. 2

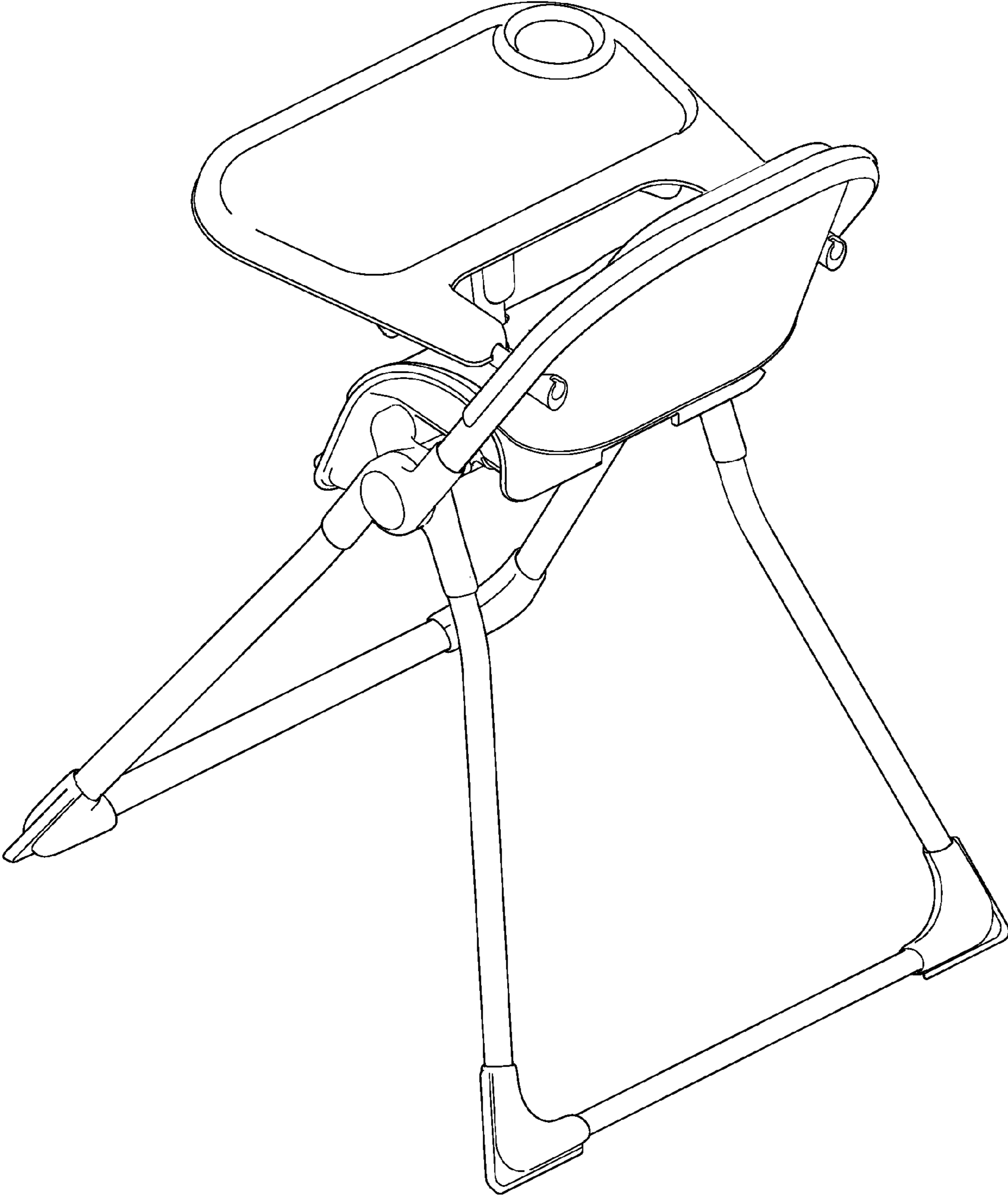


FIG. 3

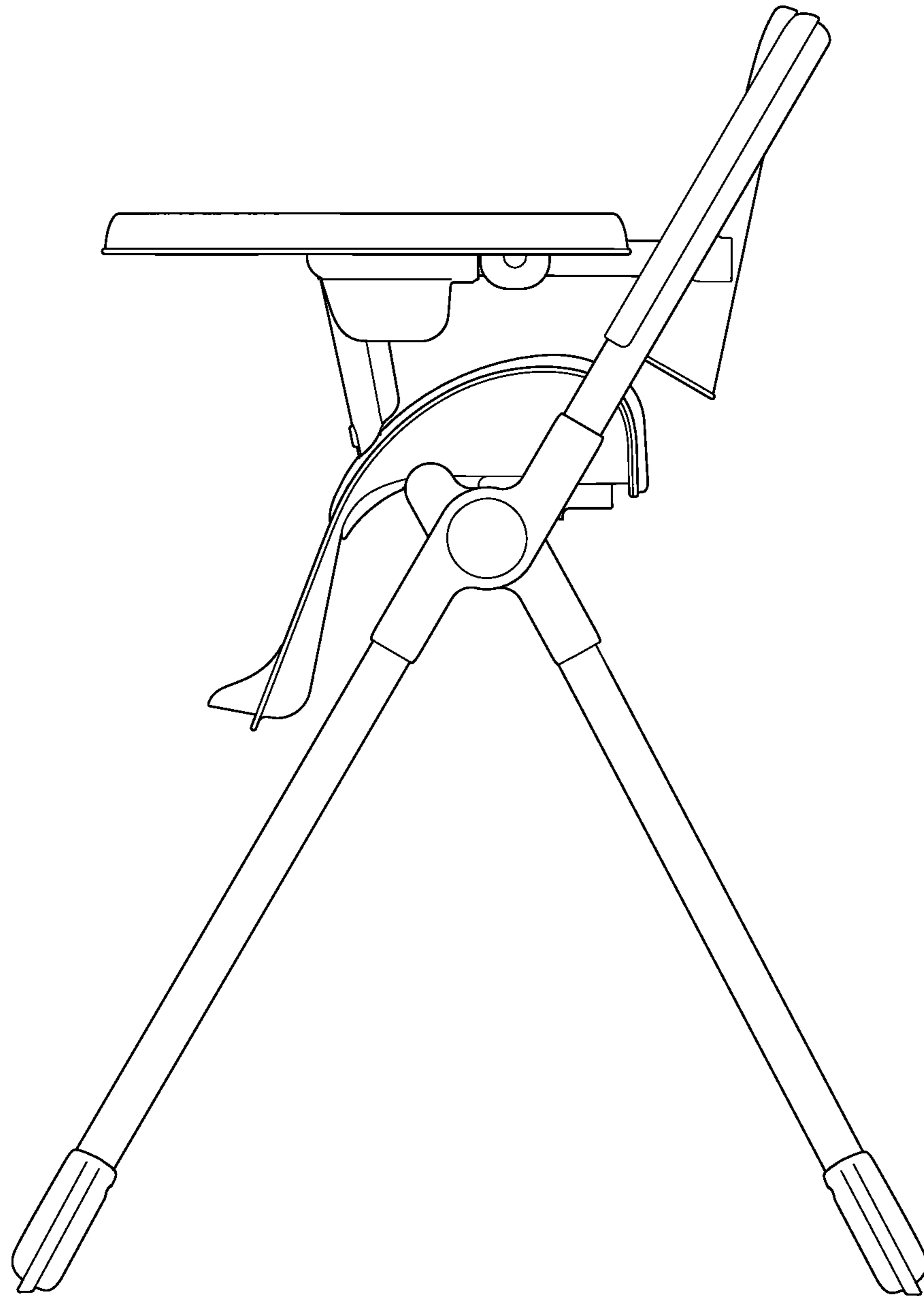


FIG. 4

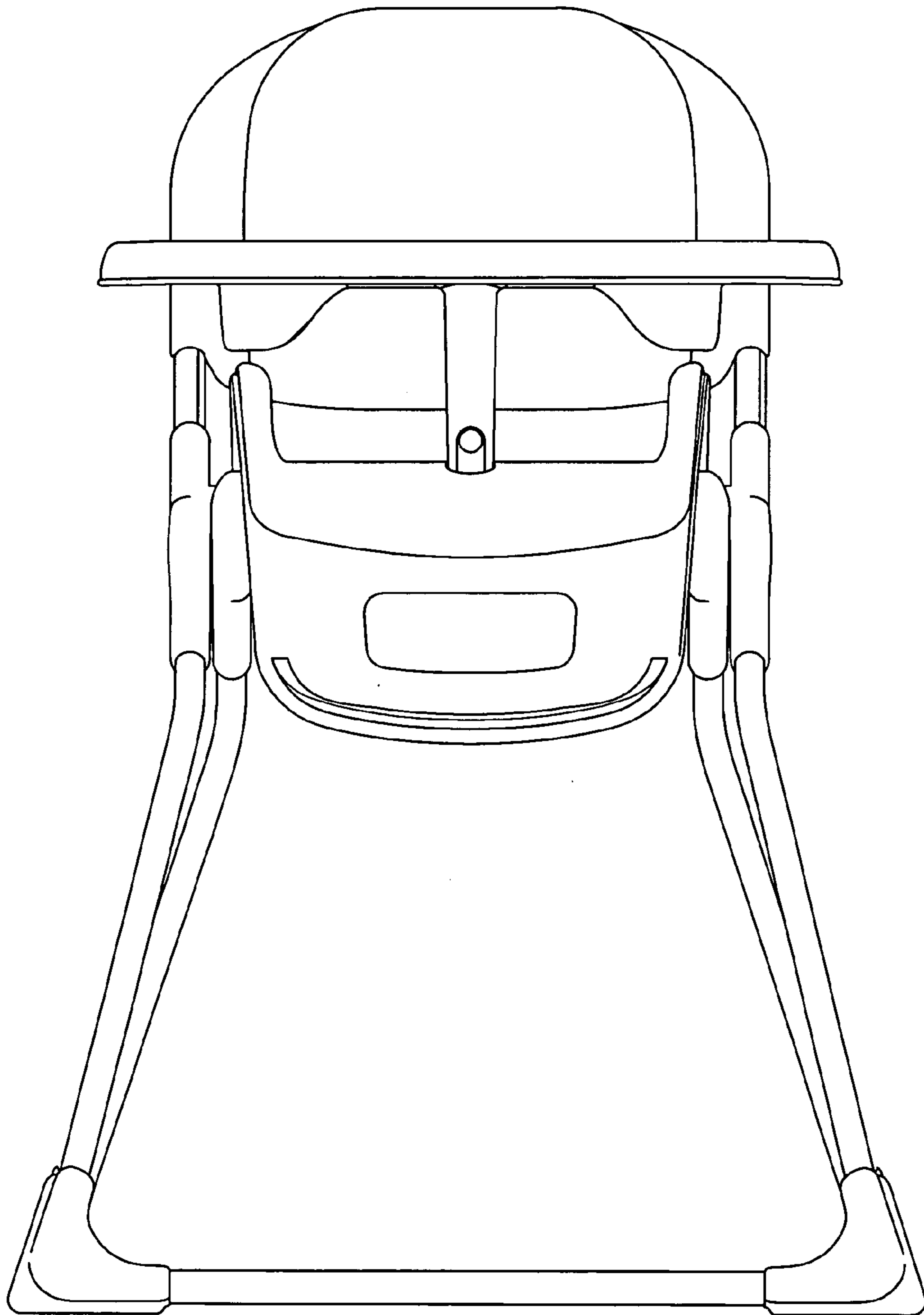


FIG. 5

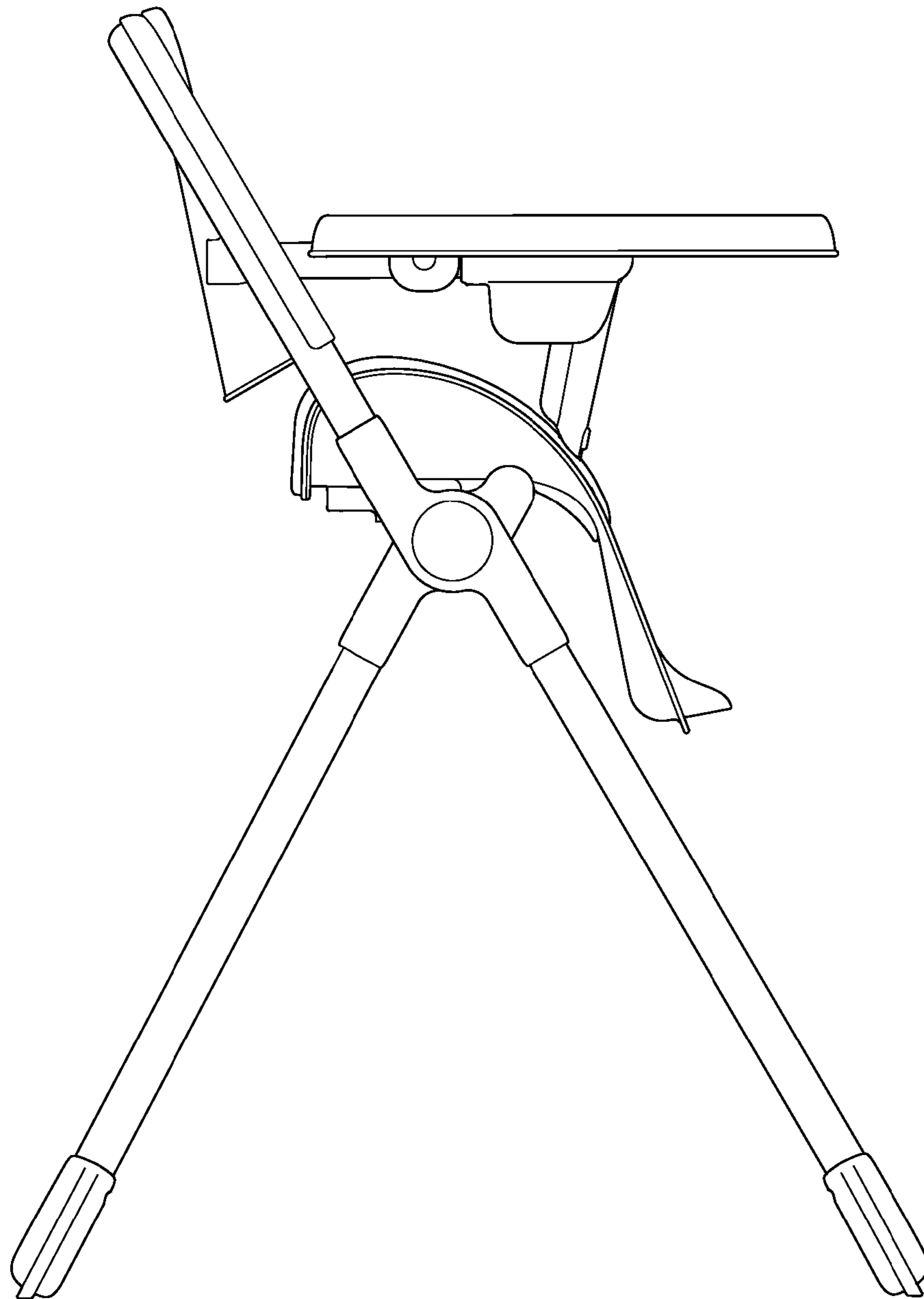


FIG. 6

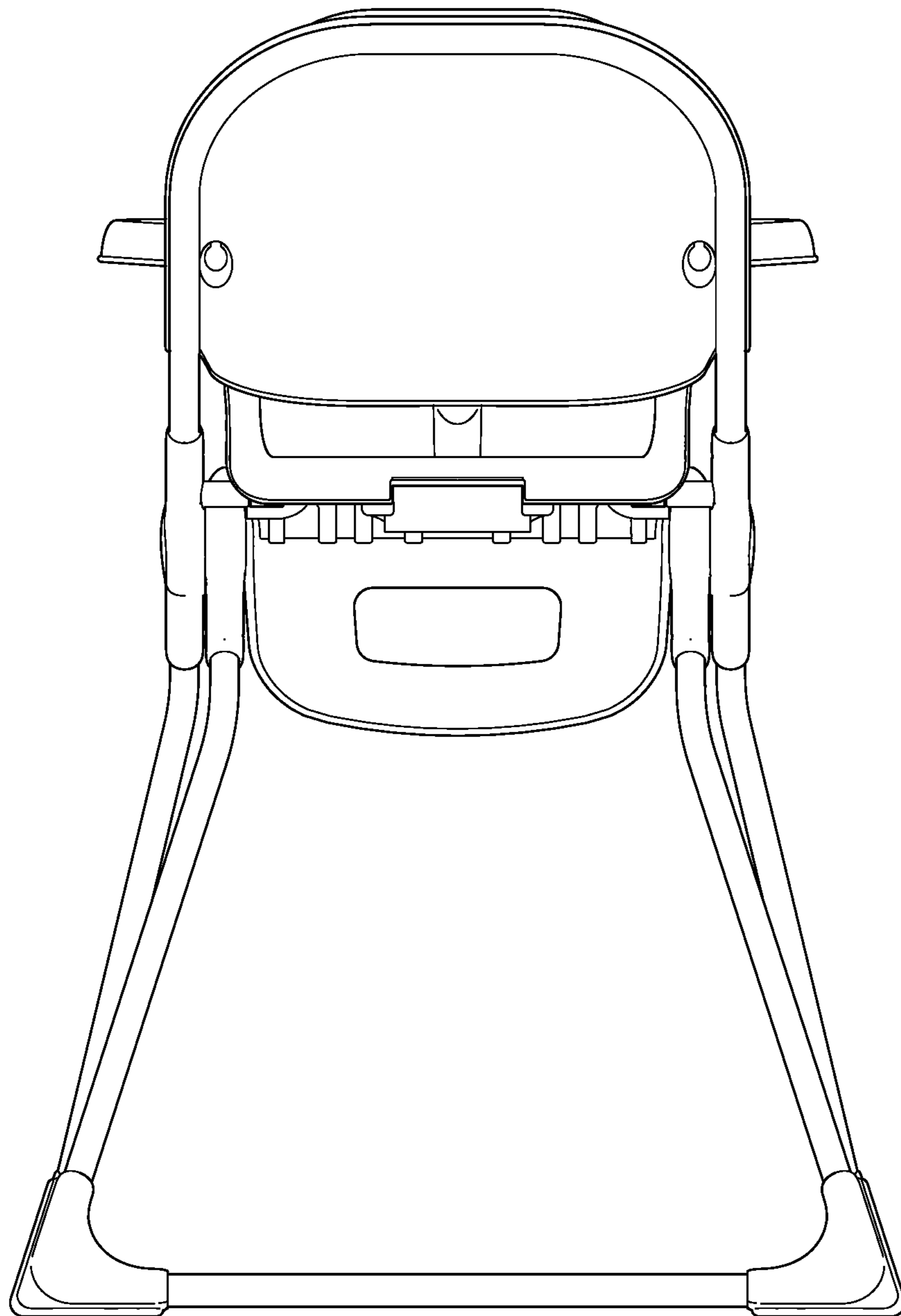
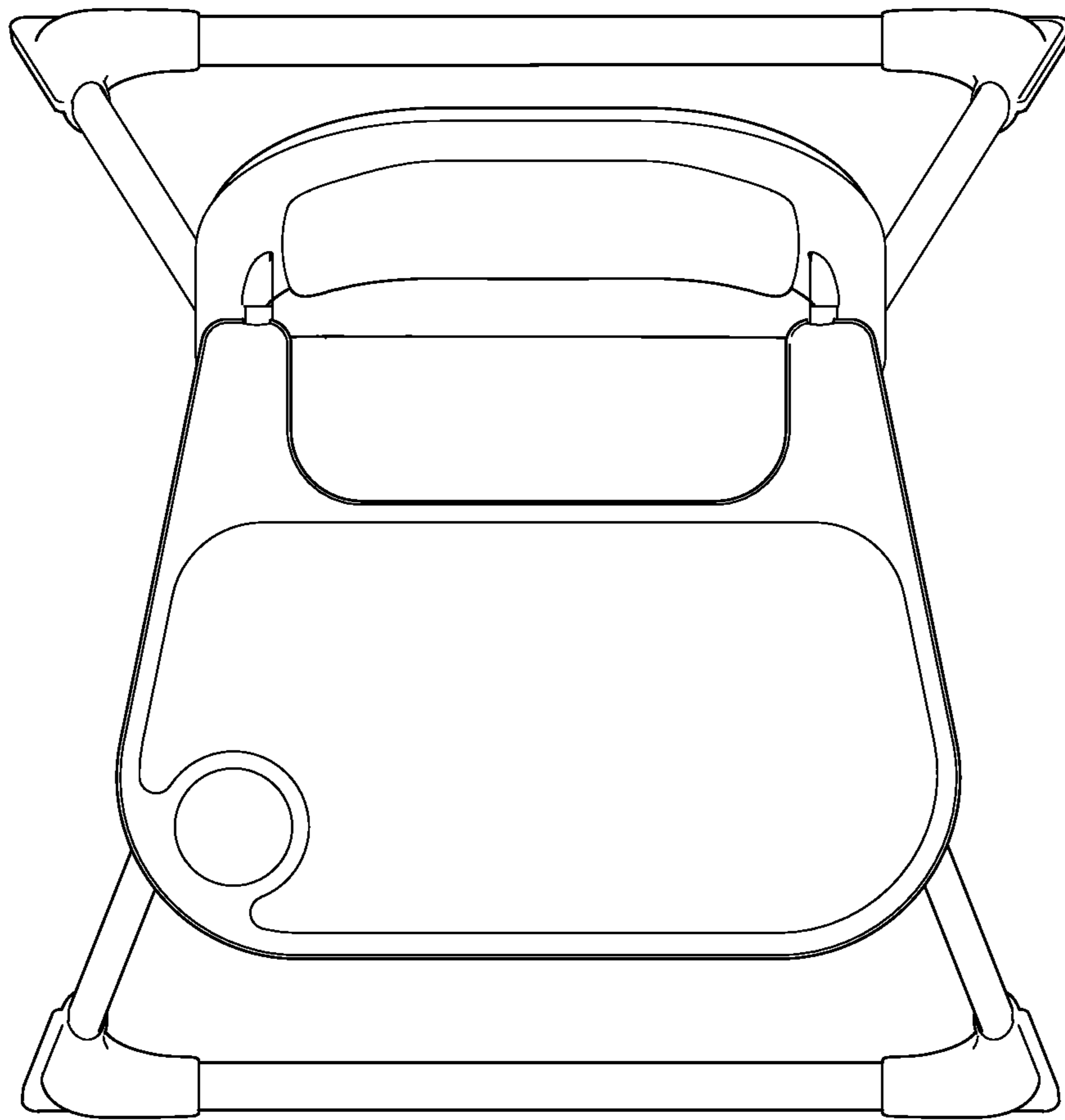


FIG. 7



UNITED STATES PATENT AND TRADEMARK OFFICE
CERTIFICATE OF CORRECTION

PATENT NO. : D679,915 S
APPLICATION NO. : 29/387618
DATED : April 16, 2013
INVENTOR(S) : Sturmey

Page 1 of 1

It is certified that error appears in the above-identified patent and that said Letters Patent is hereby corrected as shown below:

On the Title Page

Please correct Item (73) Assignee information on the patent cover sheet to read as follows:

Mamas & Papas (Holdings) Limited
Colne Bridge Road
Huddersfield, West Yorkshire
United Kingdom HD5 0RH

Signed and Sealed this
Sixth Day of August, 2013



Teresa Stanek Rea
Acting Director of the United States Patent and Trademark Office