



US00D679914S

(12) **United States Design Patent**
Smit

(10) **Patent No.:** **US D679,914 S**
(45) **Date of Patent:** **** Apr. 16, 2013**

(54) **SEAT**

(75) Inventor: **Fernando Smit**, Doetinchem (NL)

(73) Assignee: **F. Smit Holding B.V.** (NL)

(**) Term: **14 Years**

(21) Appl. No.: **29/408,469**

(22) Filed: **Dec. 13, 2011**

(30) **Foreign Application Priority Data**

Jun. 16, 2011 (EM) 001878661

(51) **LOC (9) Cl.** **06-01**

(52) **U.S. Cl.**
USPC **D6/338**

(58) **Field of Classification Search** D6/335-33,
D6/361, 367, 374, 375; 291/445.1, 446.1,
291/446.2; 5/12.1, 12.2

See application file for complete search history.

(56) **References Cited**

U.S. PATENT DOCUMENTS

D425,321	S	*	5/2000	Tholkes et al.	D6/338
6,092,868	A	*	7/2000	Wynn	297/217.3
D465,343	S	*	11/2002	Daneault	D6/338
D502,607	S	*	3/2005	Miyake et al.	D6/335
D529,702	S	*	10/2006	Choi	D2/971
D598,207	S	*	8/2009	Smit	D6/335
D612,623	S	*	3/2010	Smit	D6/366
D612,641	S	*	3/2010	Smit	D6/500
D651,815	S	*	1/2012	Smit	D6/336

* cited by examiner

Primary Examiner — Sandra Snapp

(74) *Attorney, Agent, or Firm* — Dinsmore & Shohl LLP

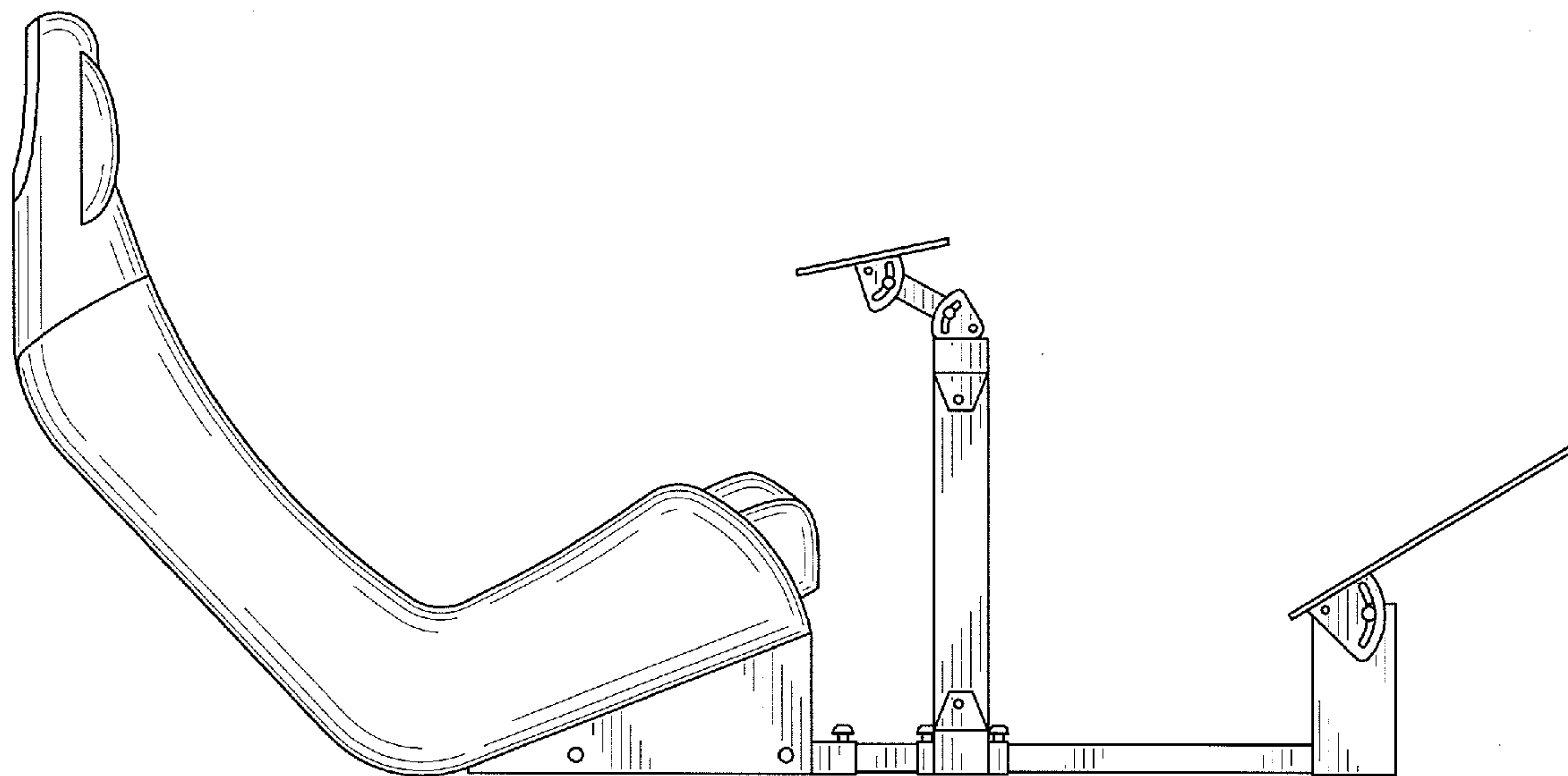
(57) **CLAIM**

The ornamental design for a seat, as shown and described.

DESCRIPTION

FIG. 1 is a front view of a seat;
FIG. 2 is a rear view of the seat of FIG. 1;
FIG. 3 is a right side view of the seat of FIG. 1;
FIG. 4 is a left side view of the seat of FIG. 1;
FIG. 5 is a bottom view of the seat of FIG. 1; and,
FIG. 6 is a top side view of the seat of FIG. 1.

1 Claim, 5 Drawing Sheets



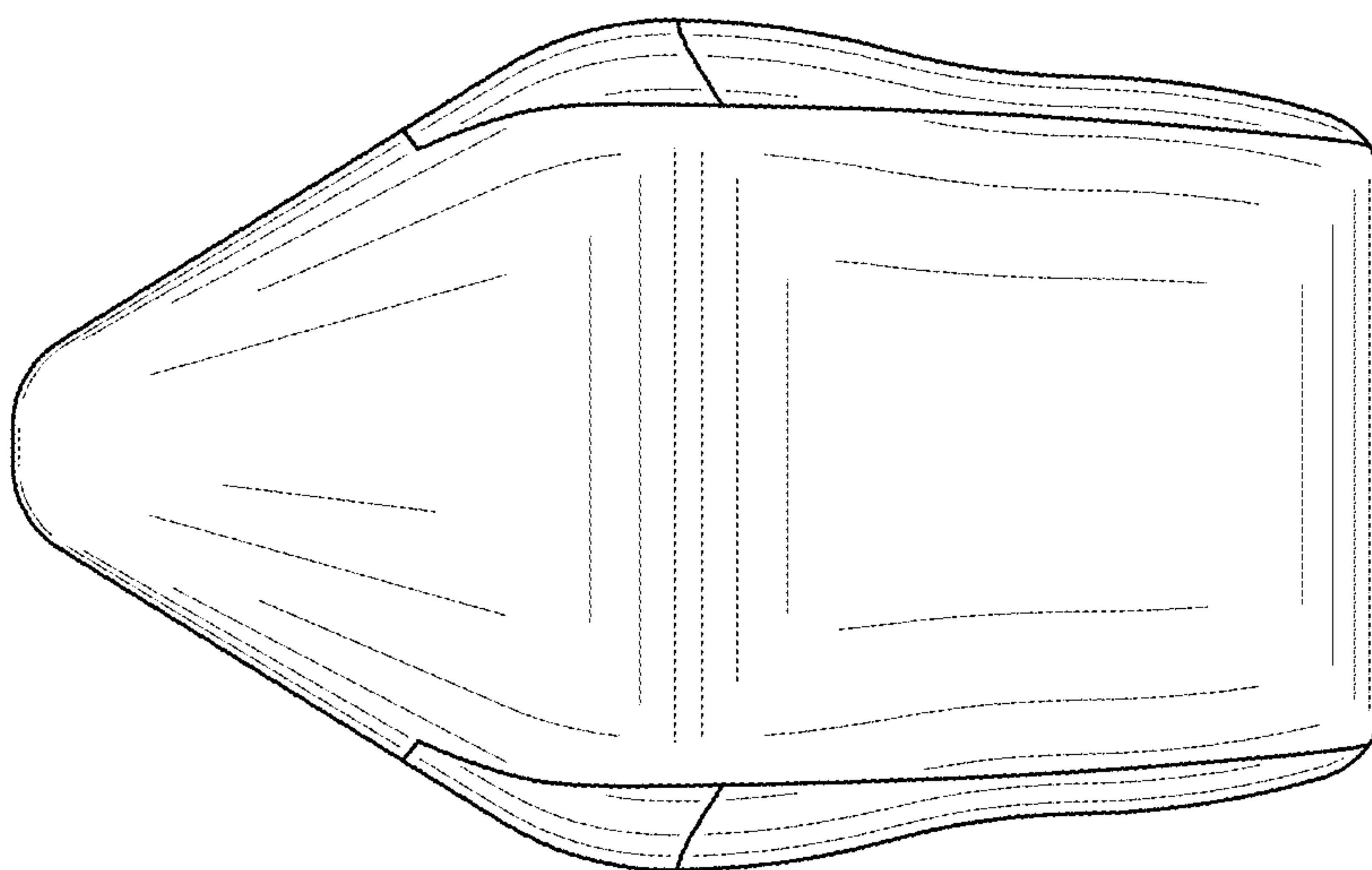


FIG. 2

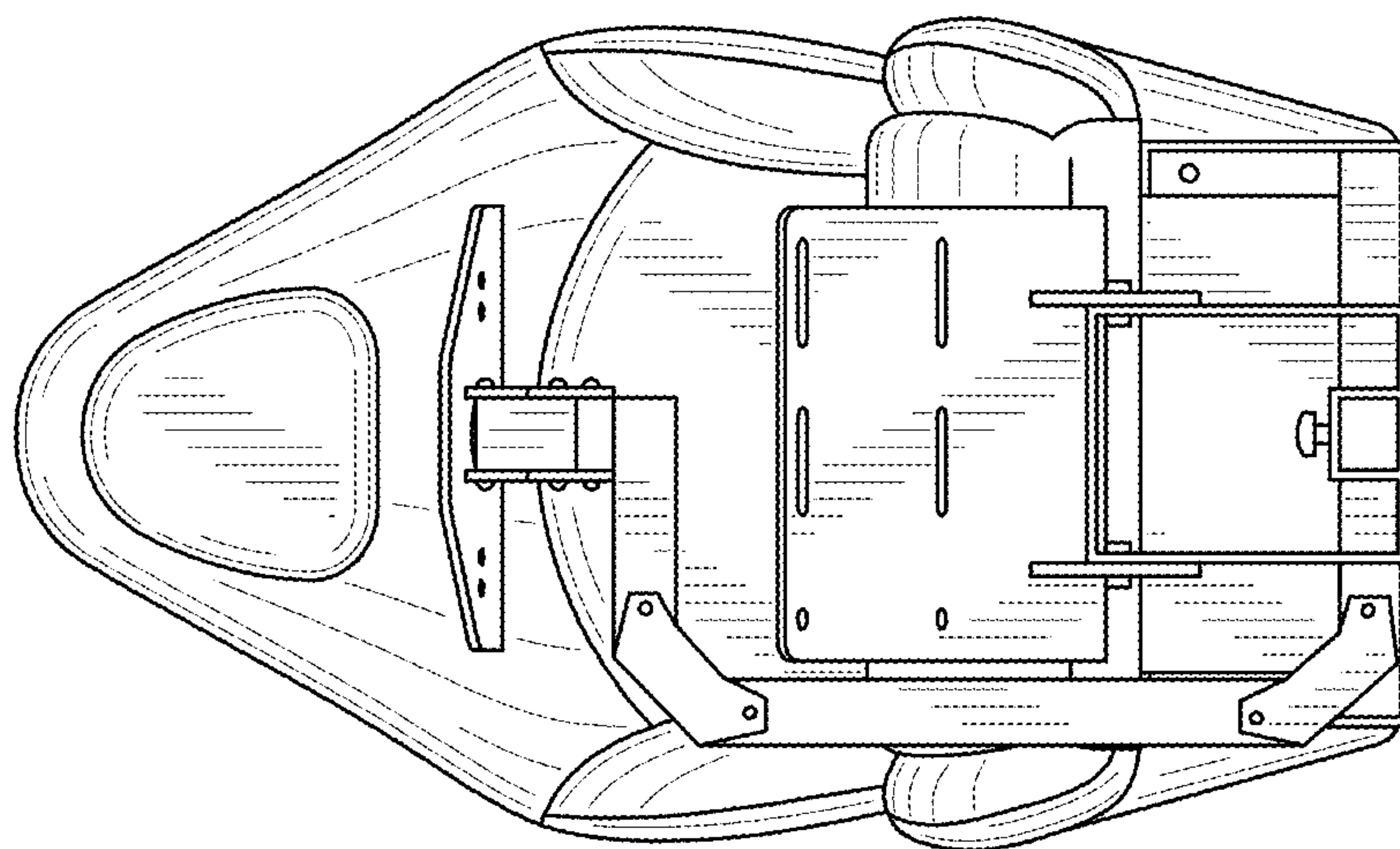


FIG. 1

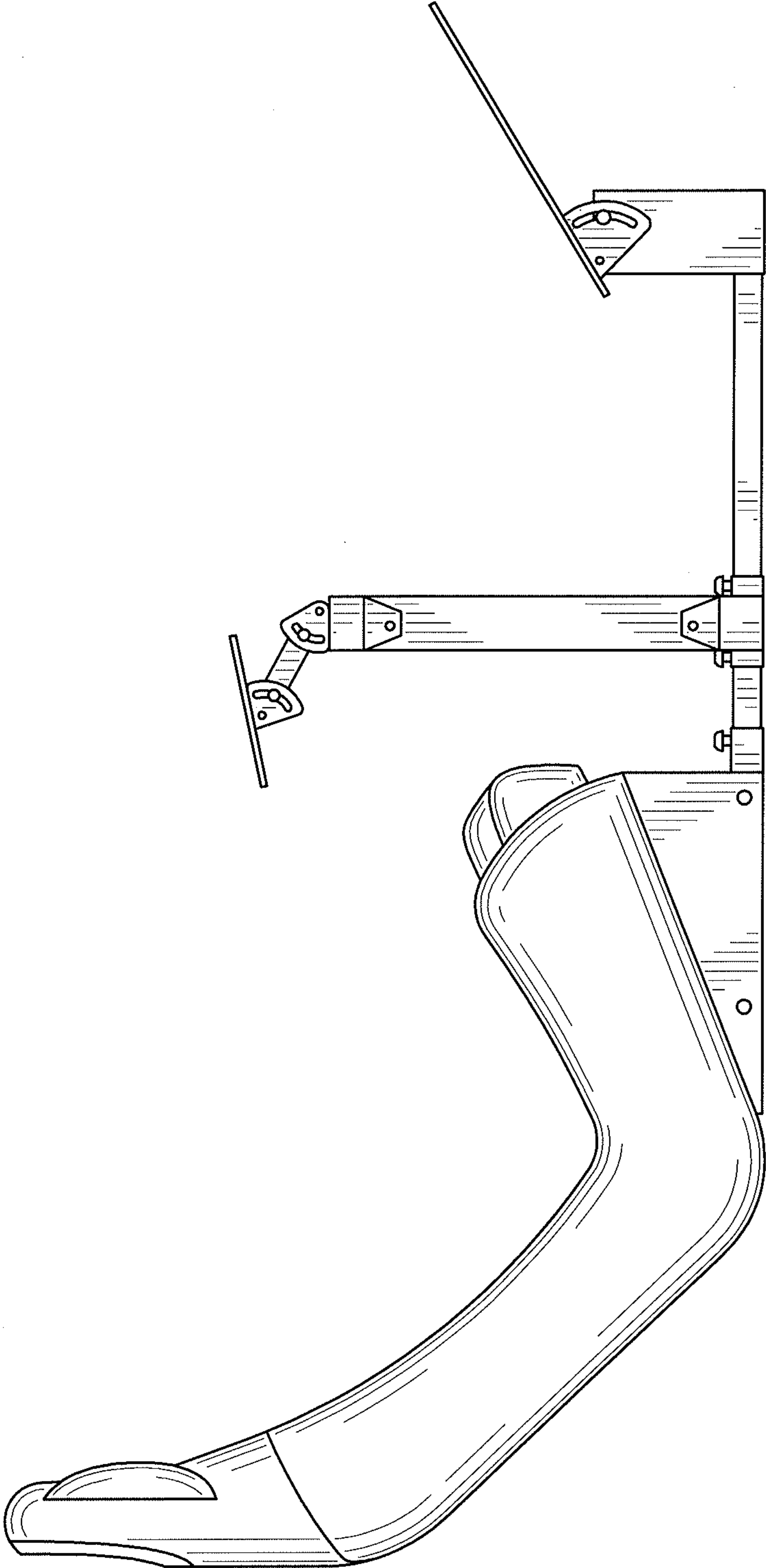


FIG. 3

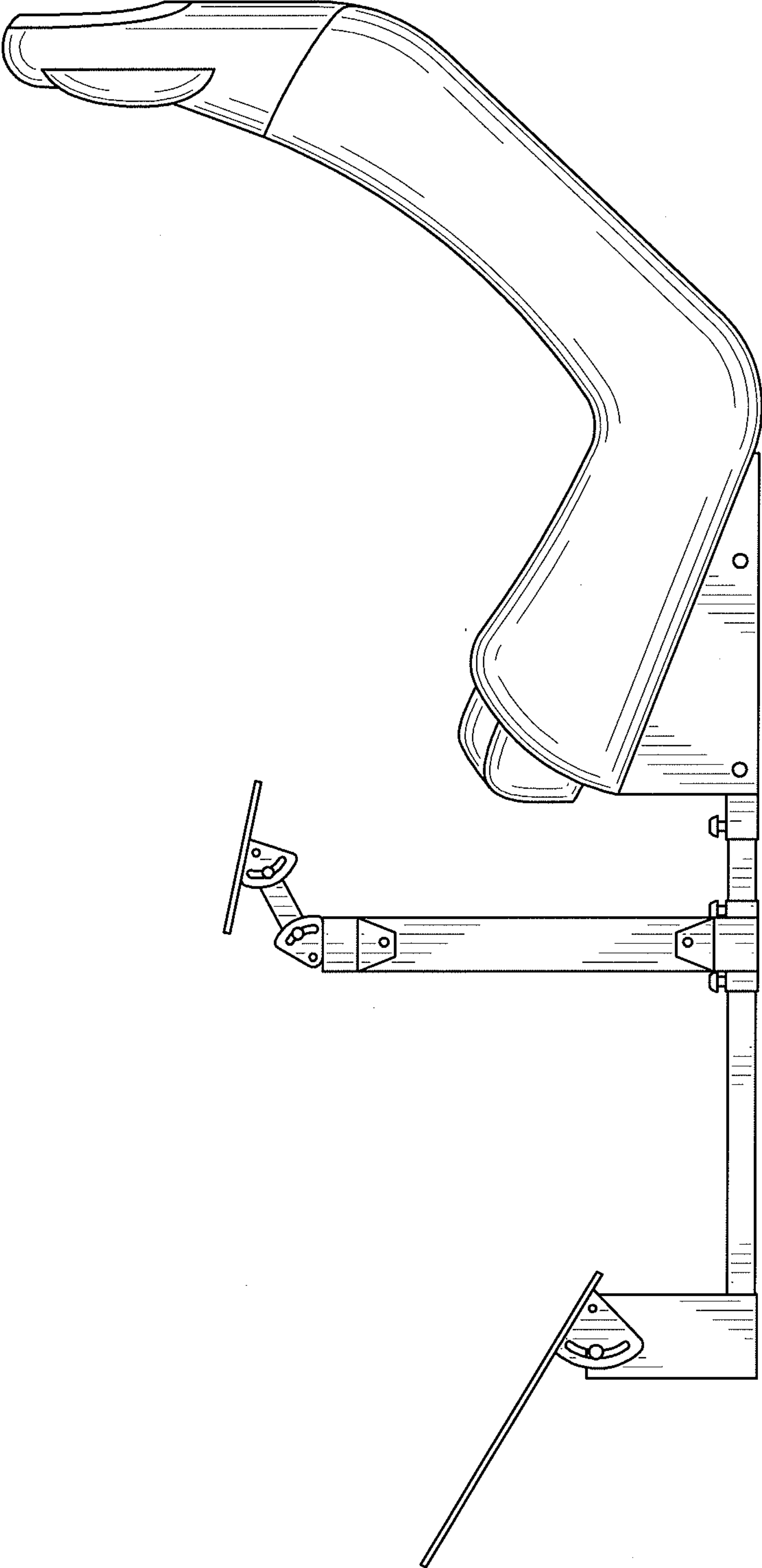


FIG. 4

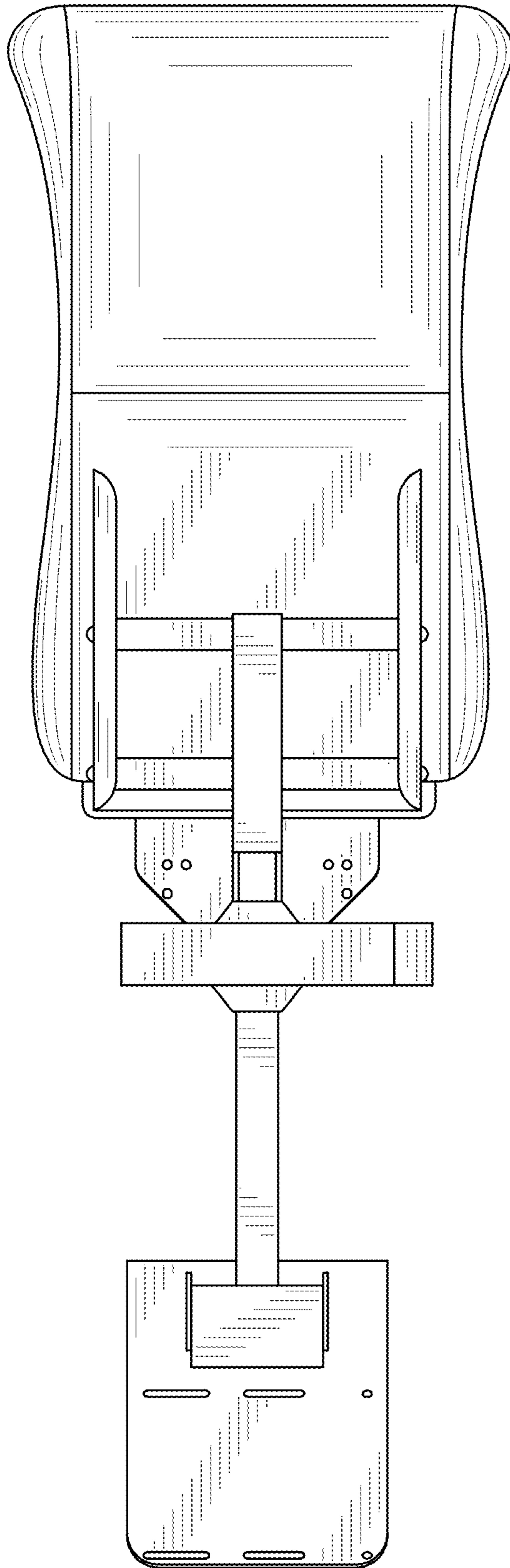


FIG. 5

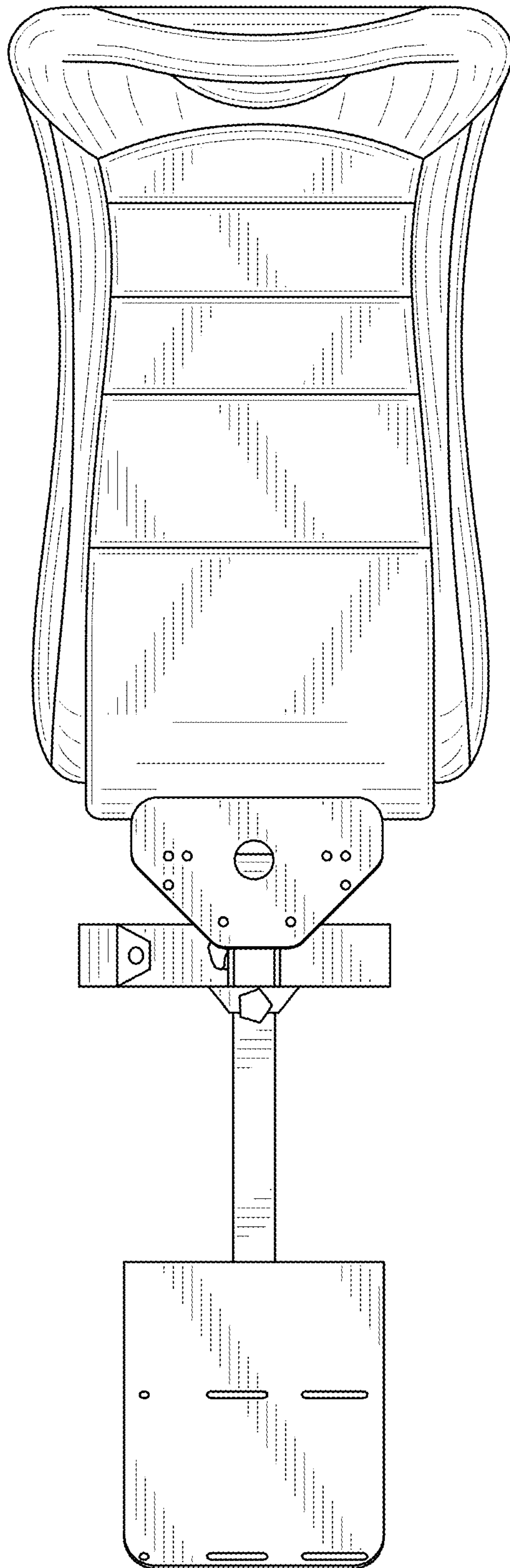


FIG. 6