



US00D679912S

(12) **United States Design Patent**
Cohen

(10) **Patent No.:** **US D679,912 S**
(45) **Date of Patent:** **** Apr. 16, 2013**

(54) **SLIM PROFILE, NON-SLIP, CLOTHING HANGER**

(71) Applicant: **Samuel V. Cohen**, Brooklyn, NY (US)

(72) Inventor: **Samuel V. Cohen**, Brooklyn, NY (US)

(73) Assignee: **Wiesner Products Inc.**, New York City, NY (US)

(**) Term: **14 Years**

(21) Appl. No.: **29/437,737**

(22) Filed: **Nov. 20, 2012**

(51) **LOC (9) Cl.** **06-08**

(52) **U.S. Cl.**
USPC **D6/319**

(58) **Field of Classification Search** D6/315-328;
223/85-98; 211/1, 13.1, 85.3, 86.01, 105.2,
211/106.1, 123, 124, 183; 248/317, 339
See application file for complete search history.

(56) **References Cited**

U.S. PATENT DOCUMENTS

D171,872	S	*	3/1954	Waldron et al.	D6/327
3,013,706	A	*	12/1961	Morton	223/96
D193,746	S	*	10/1962	Cohen	D6/327
3,209,967	A	*	10/1965	Hasselback	223/96
D205,567	S	*	8/1966	Chambers	D6/317
3,485,423	A	*	12/1969	Rolfe et al.	223/85
D238,539	S	*	1/1976	Field	D6/315
4,565,309	A	*	1/1986	Batts et al.	223/96
D285,264	S	*	8/1986	Miale	D6/327
D320,700	S	*	10/1991	Testa	D6/317
D343,300	S	*	1/1994	Doyel	D6/317
5,361,949	A	*	11/1994	Petrou	223/96

D362,553	S	*	9/1995	Hoeppner	D6/327
6,006,964	A	*	12/1999	White	223/85
6,036,062	A	*	3/2000	von Fabris auf	223/85
				Mayerhofen	223/85
D613,513	S	*	4/2010	Boyko	D6/327

* cited by examiner

Primary Examiner — Derrick Holland

Assistant Examiner — Lauren Calve

(74) *Attorney, Agent, or Firm* — Andrew S. Langsam; Pryor Cashman LLP

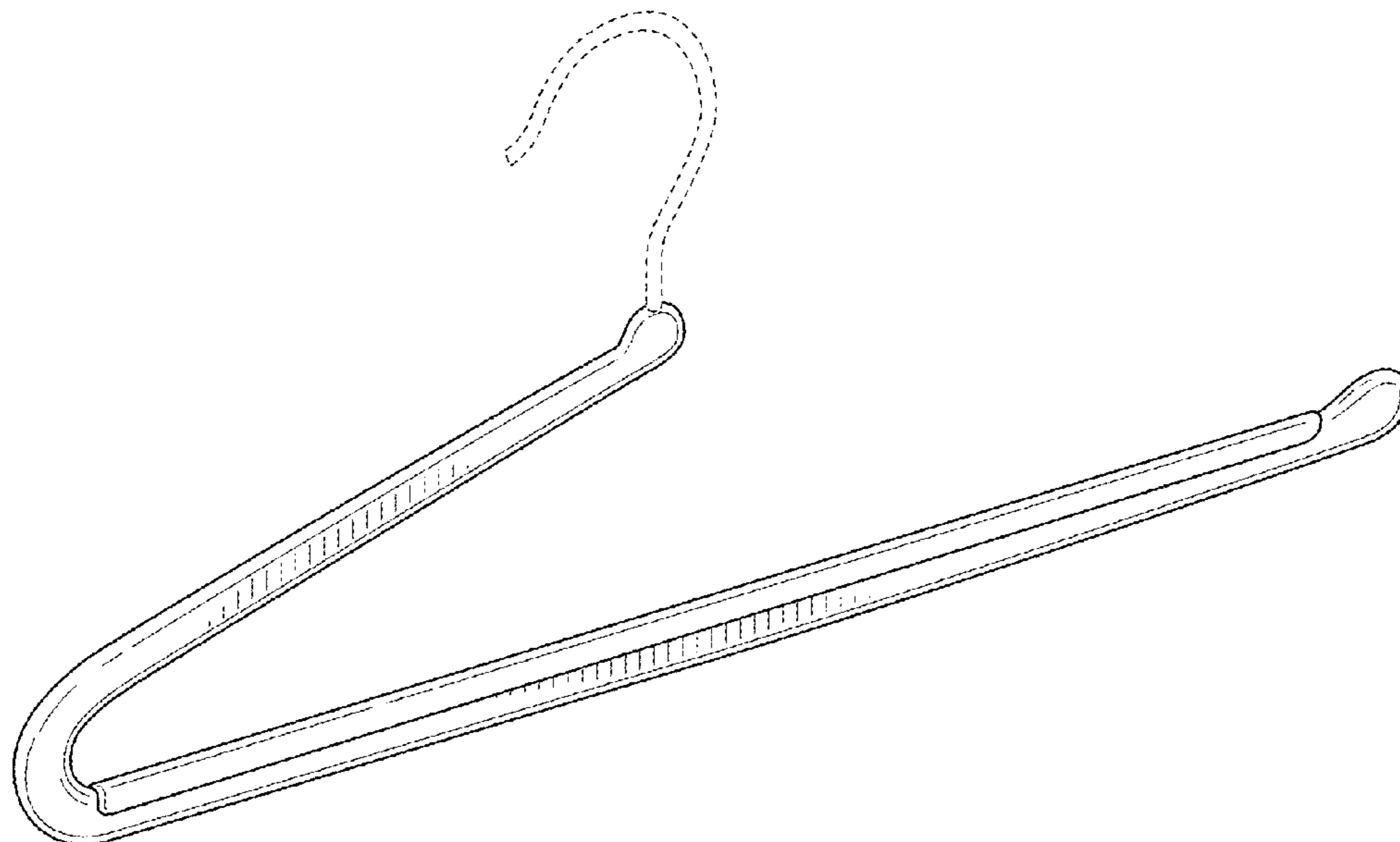
(57) **CLAIM**

The ornamental design for a slim profile, non-slip, clothing hanger, as shown and described.

DESCRIPTION

FIG. 1 is a perspective view of the present invention, a slim profile, non-slip, clothing hanger;
 FIG. 2 is a front elevational view of the present invention showing the slim profile, non-slip, clothing hanger;
 FIG. 3 is a rear elevational view of the present invention showing the slim profile, non-slip, clothing hanger;
 FIG. 4 is a top plan view of the present invention showing the slim profile, non-slip, clothing hanger;
 FIG. 5 is a bottom plan view of the present invention showing the slim profile, non-slip, clothing hanger;
 FIG. 6 is a right side elevational view of the present invention showing the slim profile, non-slip, clothing hanger; and,
 FIG. 7 is a left side elevational view of the present invention showing the slim profile, non-slip, clothing hanger.
 The broken line showing of the slim profile, non-slip, clothing hanger represents unclaimed subject matter and forms no part of the claimed design.

1 Claim, 3 Drawing Sheets



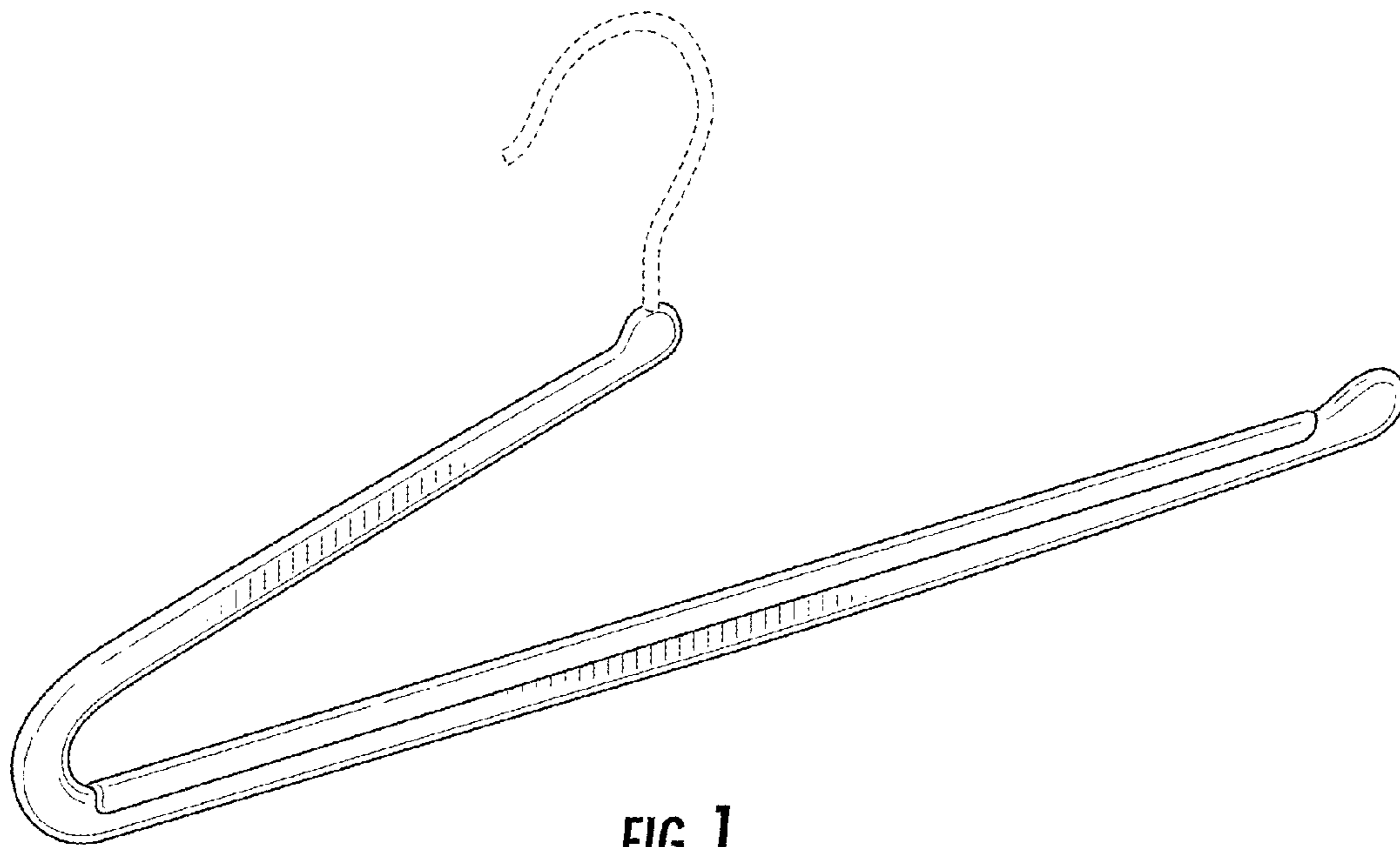


FIG. 1

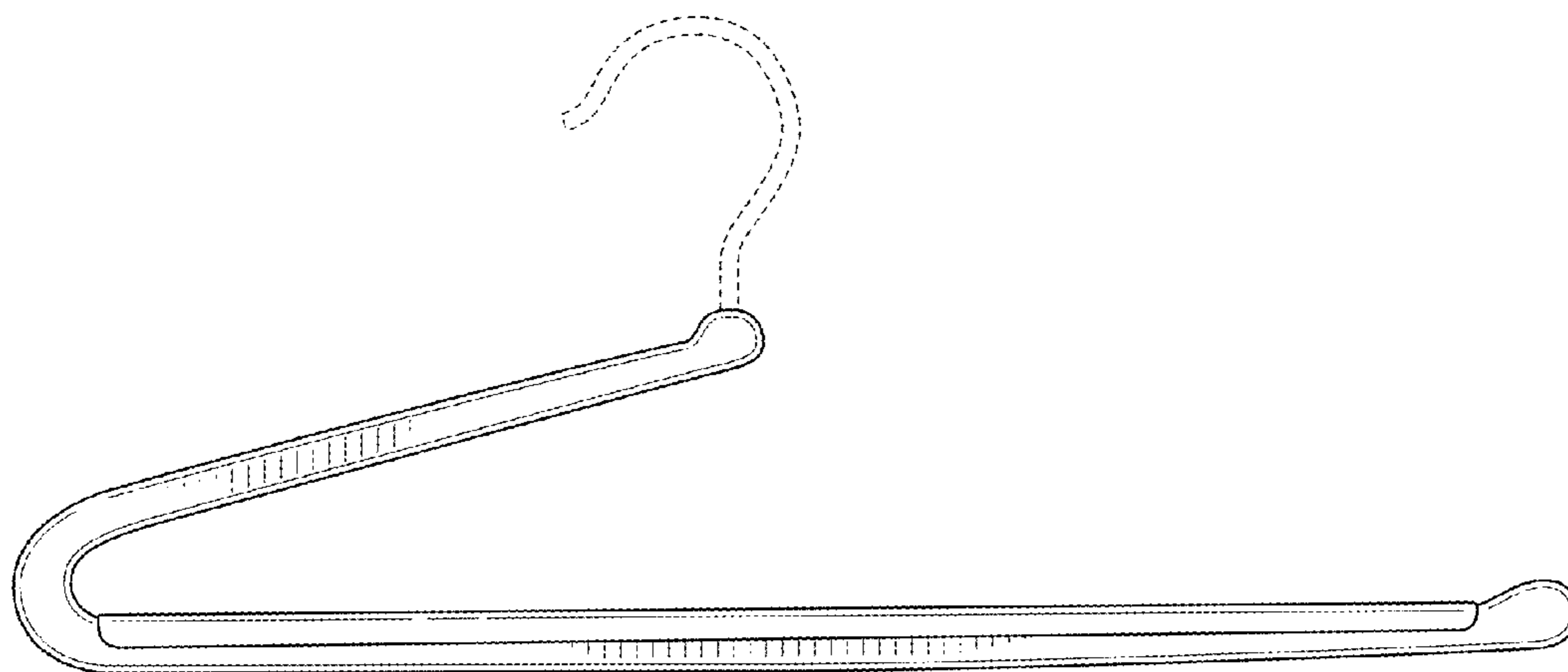


FIG. 2

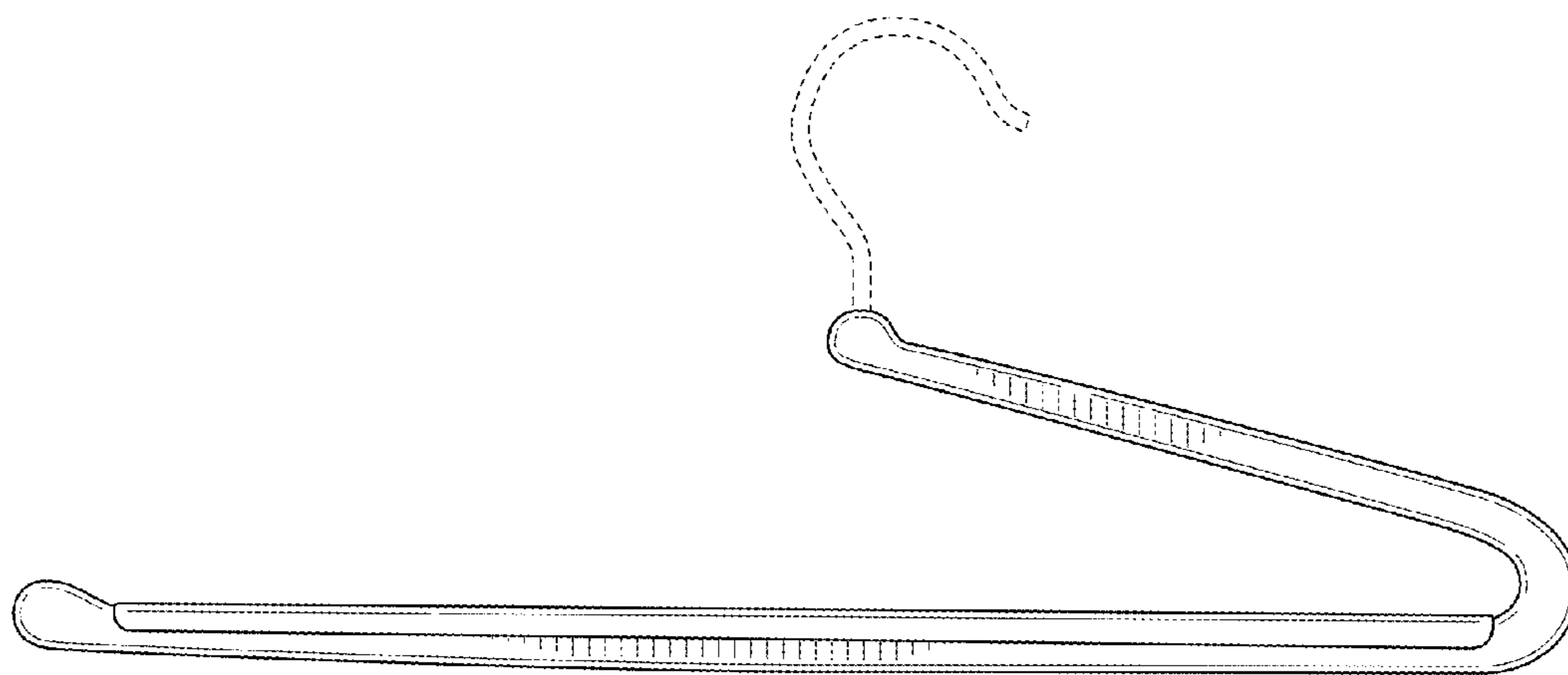


FIG. 3

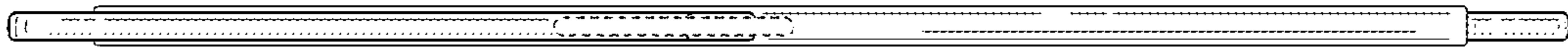


FIG. 4

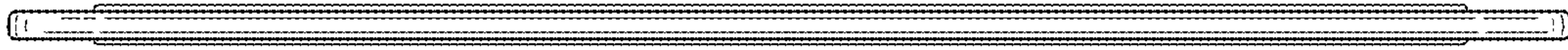


FIG. 5



FIG. 6



FIG. 7