



US00D679909S

(12) **United States Design Patent**
Wales

(10) **Patent No.:** **US D679,909 S**

(45) **Date of Patent:** **** Apr. 16, 2013**

- (54) **IRON SHAPED GRILL BRUSH**
- (76) Inventor: **Michael Wales**, Riverside, CT (US)
- (**) Term: **14 Years**
- (21) Appl. No.: **29/431,697**
- (22) Filed: **Sep. 10, 2012**
- (51) **LOC (9) Cl.** **04-01**
- (52) **U.S. Cl.**
USPC **D4/124; D4/199**
- (58) **Field of Classification Search** D4/119,
D4/120, 131, 132, 134, 114, 118; 15/159.1,
15/160, 106, 114, 118, 206
See application file for complete search history.

(56) **References Cited**

U.S. PATENT DOCUMENTS

77,506	A	5/1868	McGill	
201,688	A	3/1878	Leiner	
297,555	A	4/1884	Baker	
D109,944	S	* 5/1938	Daust	D4/129
D114,344	S	4/1939	Muller-Munk	
D134,720	S	1/1943	Herschensohn	
2,458,530	A	1/1949	Resnik	
3,158,887	A	12/1964	Kanbar et al.	
3,366,987	A	2/1968	Giustino	
3,434,175	A	3/1969	Bray	
3,629,895	A	12/1971	Colgan	
3,760,449	A	9/1973	Swanson	
4,146,943	A	4/1979	Wertheimer et al.	
D269,565	S	* 7/1983	Goldstaub	D4/129
D281,467	S	11/1985	Chan-Foun	
D306,524	S	3/1990	Marshall	
D311,553	S	10/1990	Dideriksen	
D313,318	S	1/1991	Rendler	
D329,752	S	* 9/1992	Murphy et al.	D4/129
5,373,600	A	12/1994	Stojanovski et al.	
5,488,750	A	2/1996	Vosbikian et al.	
5,537,707	A	7/1996	Middleton	

D406,931	S	3/1999	Morris	
D431,367	S	10/2000	Burkhardt	
6,178,581	B1	1/2001	Lewis	
6,438,784	B1	8/2002	Yu	
D468,107	S	1/2003	Shen	
6,745,428	B2	6/2004	MacLean	
6,817,932	B2	11/2004	Furey	
6,916,382	B1	7/2005	Aldredge	
6,966,094	B1	11/2005	Rigakos	
7,047,590	B2	5/2006	Neal et al.	
7,111,352	B2	9/2006	Yu	
D546,066	S	7/2007	Rothman	
D562,563	S	2/2008	Wales	
D567,510	S	4/2008	Tuli	
D589,705	S	4/2009	Zemel	
D601,351	S	* 10/2009	Wales	D4/199
2007/0199169	A1	8/2007	Vosbikian et al.	

* cited by examiner

Primary Examiner — Austin Murphy

(74) *Attorney, Agent, or Firm* — St. Onge Steward Johnston & Reens LLC

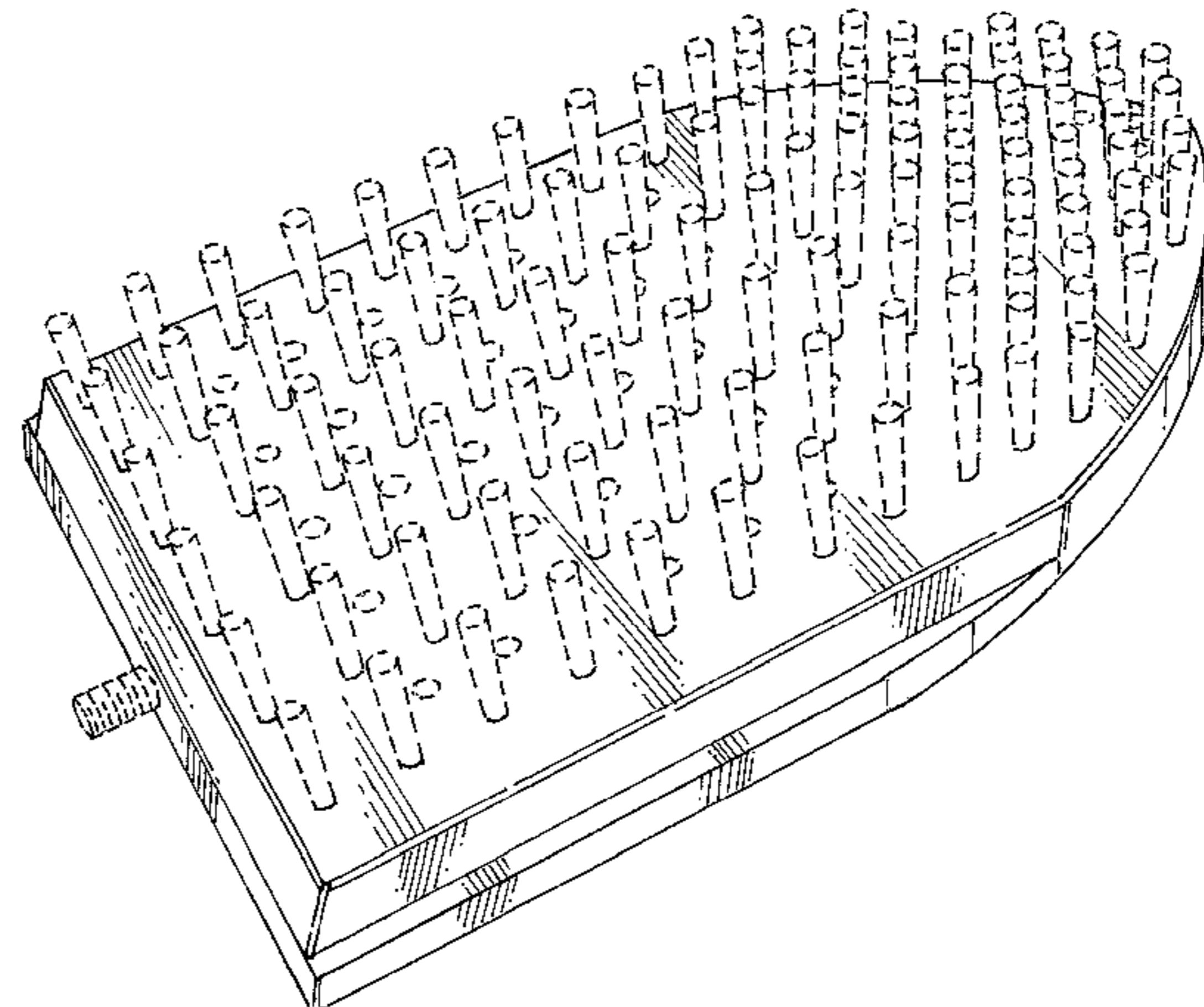
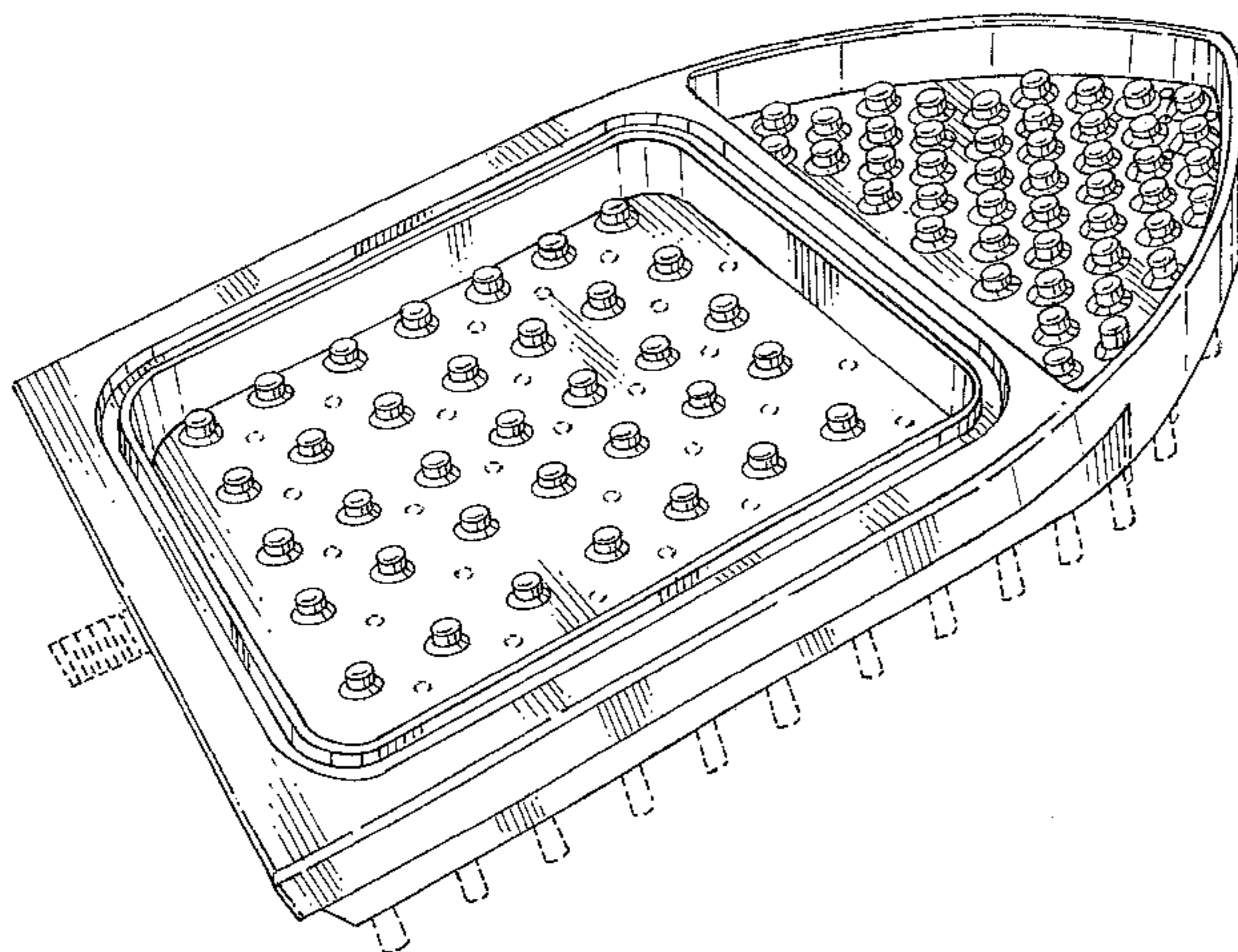
(57) **CLAIM**

The ornamental design for an iron shaped grill brush, as shown and described.

DESCRIPTION

FIG. 1 is a rear isometric view of an iron shaped grill brush in accordance with the new design;
 FIG. 2 is a top rear isometric view thereof;
 FIG. 3 is a bottom rear isometric view thereof;
 FIG. 4 is a top view thereof;
 FIG. 5 is a bottom view thereof;
 FIG. 6 is a side view thereof;
 FIG. 7 is a front view thereof; and,
 FIG. 8 is a rear view thereof.
 The elements shown in broken lines illustrate portions of the grill brush that form no part of the claimed design.

1 Claim, 7 Drawing Sheets



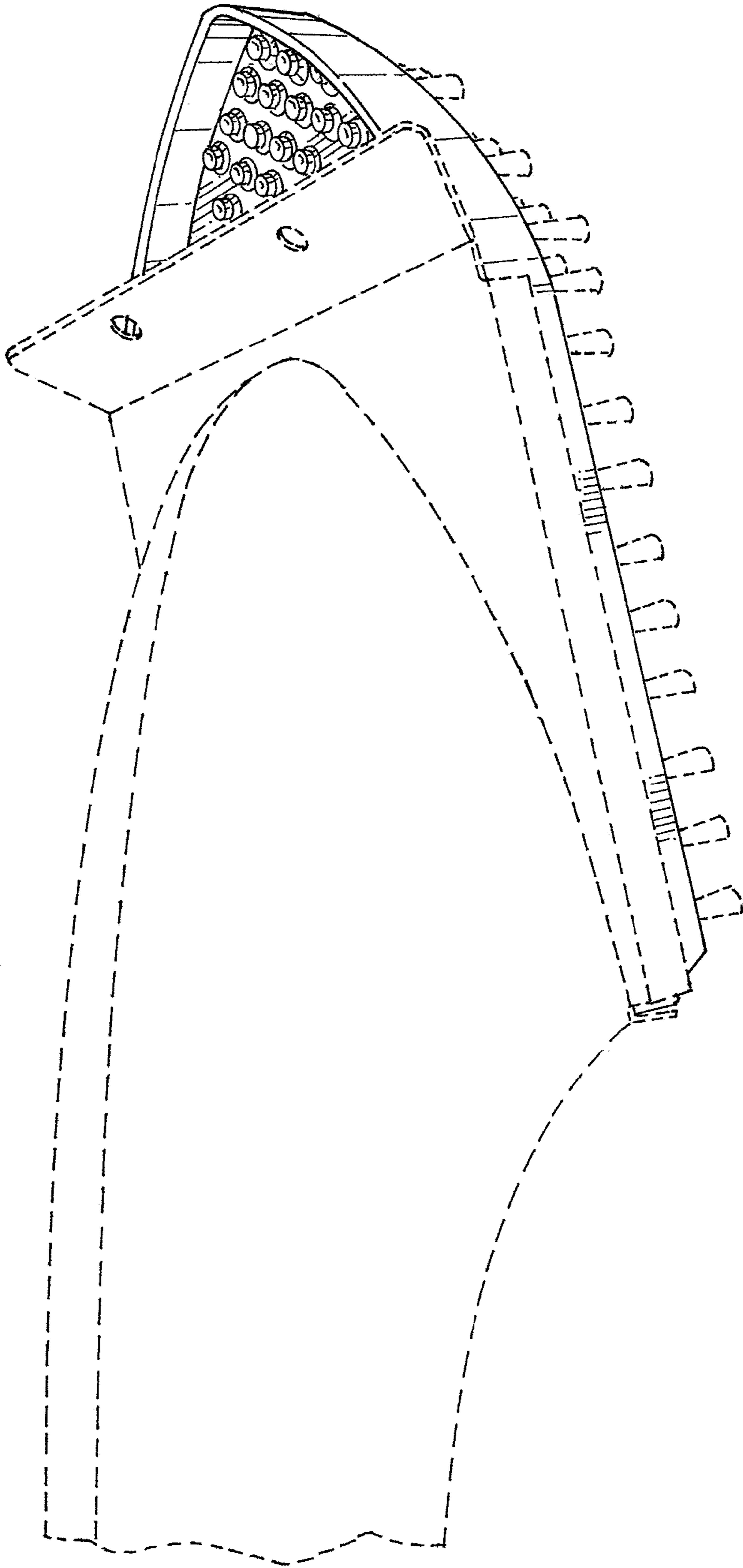


FIG. 1

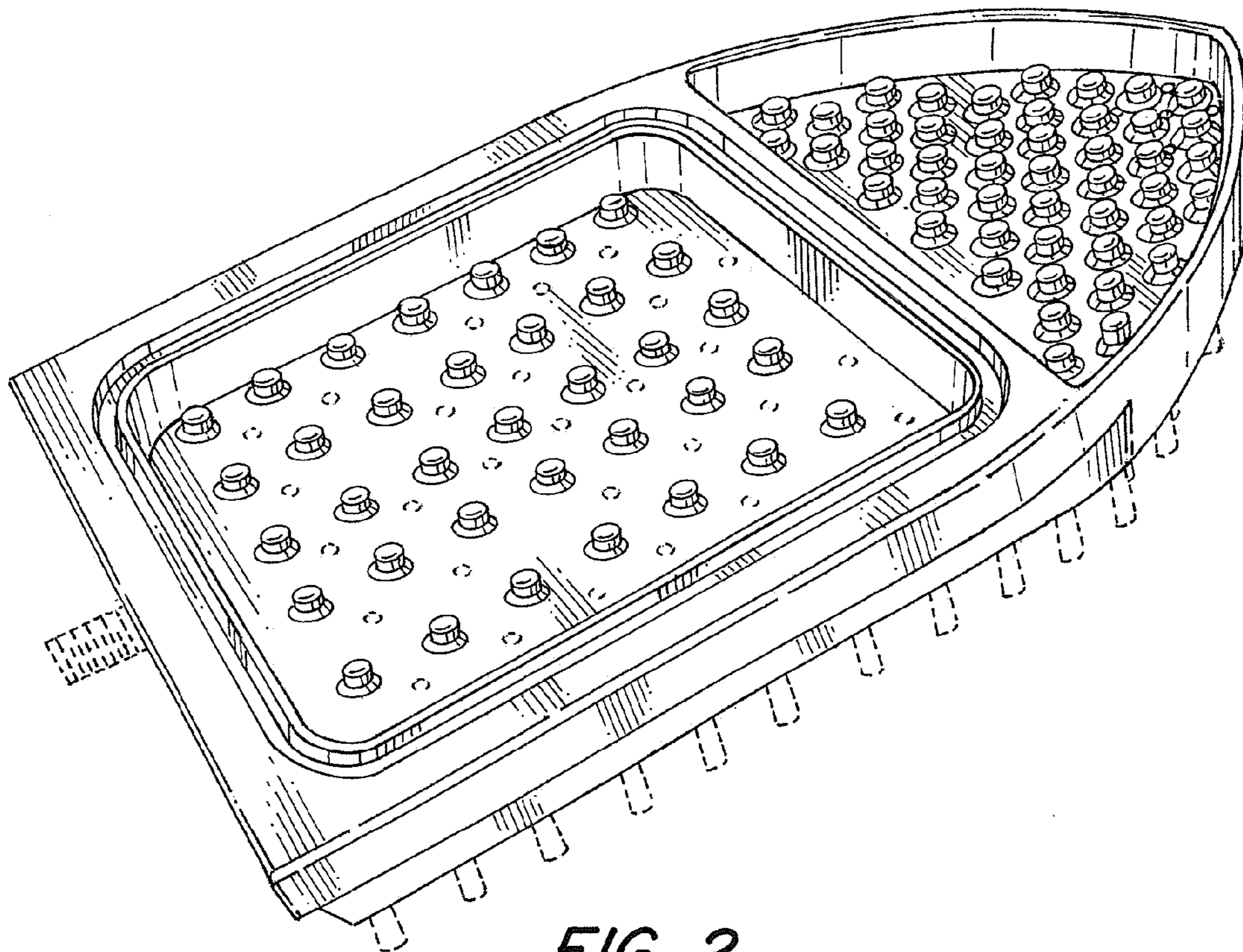


FIG. 2

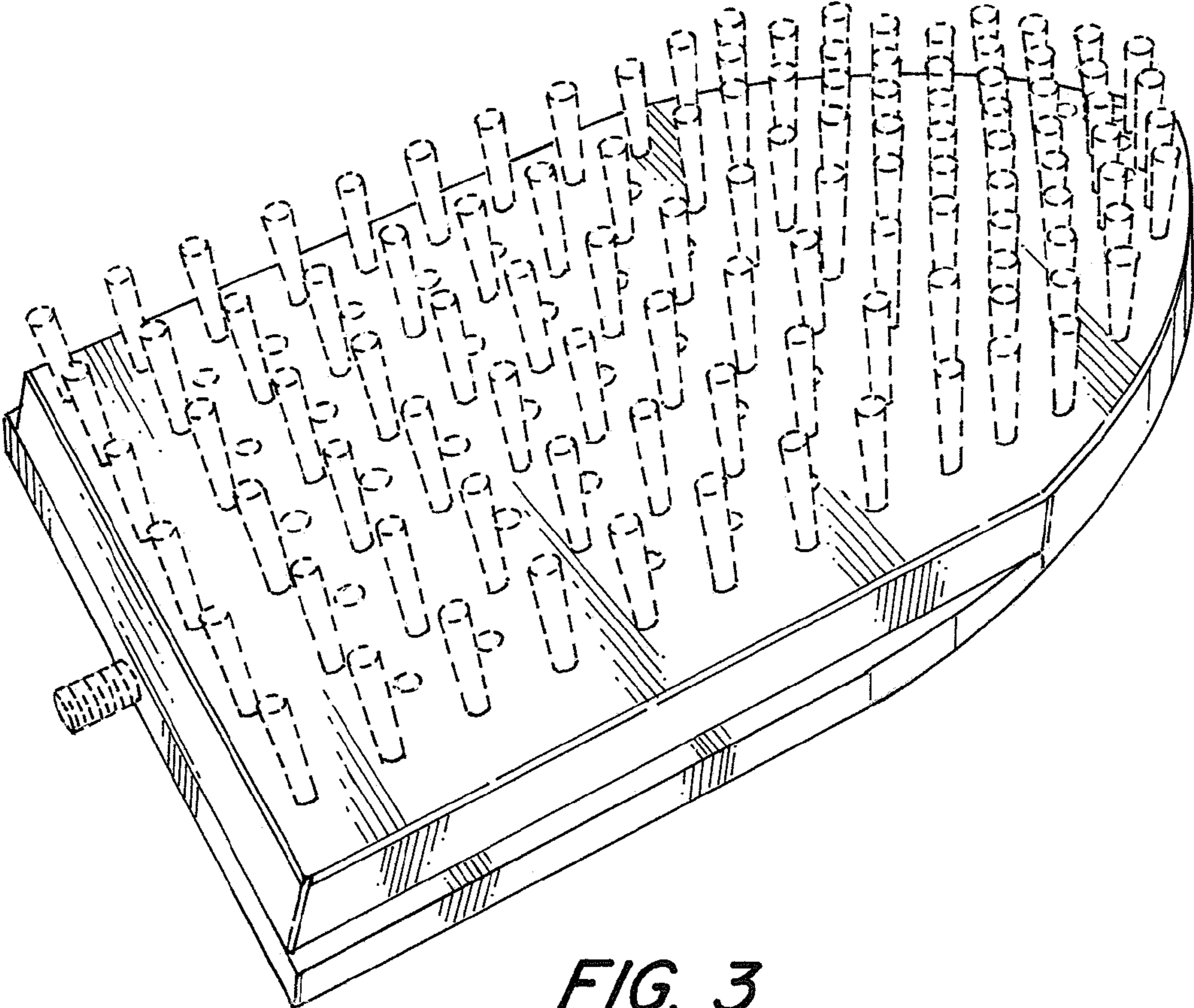


FIG. 3

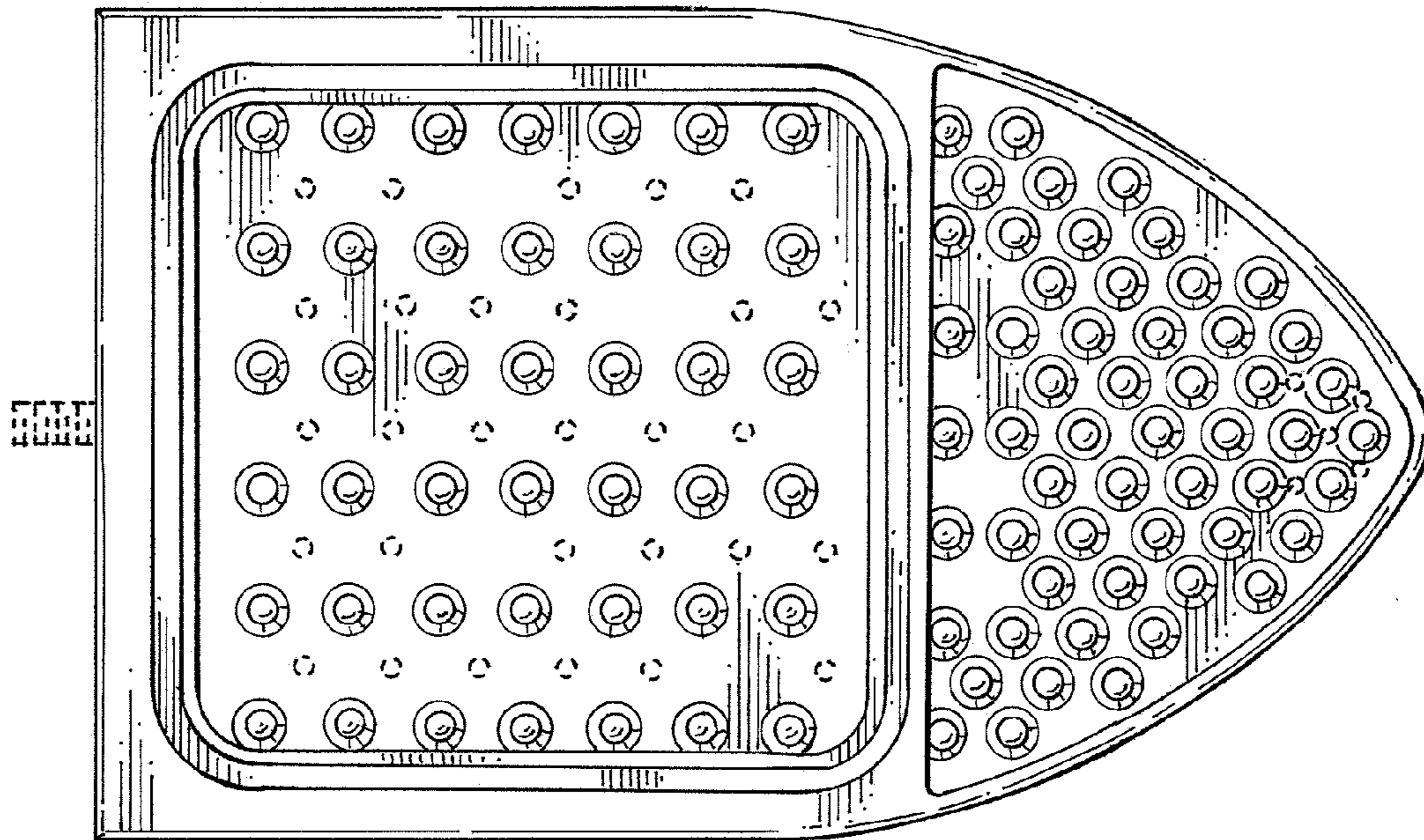


FIG. 4

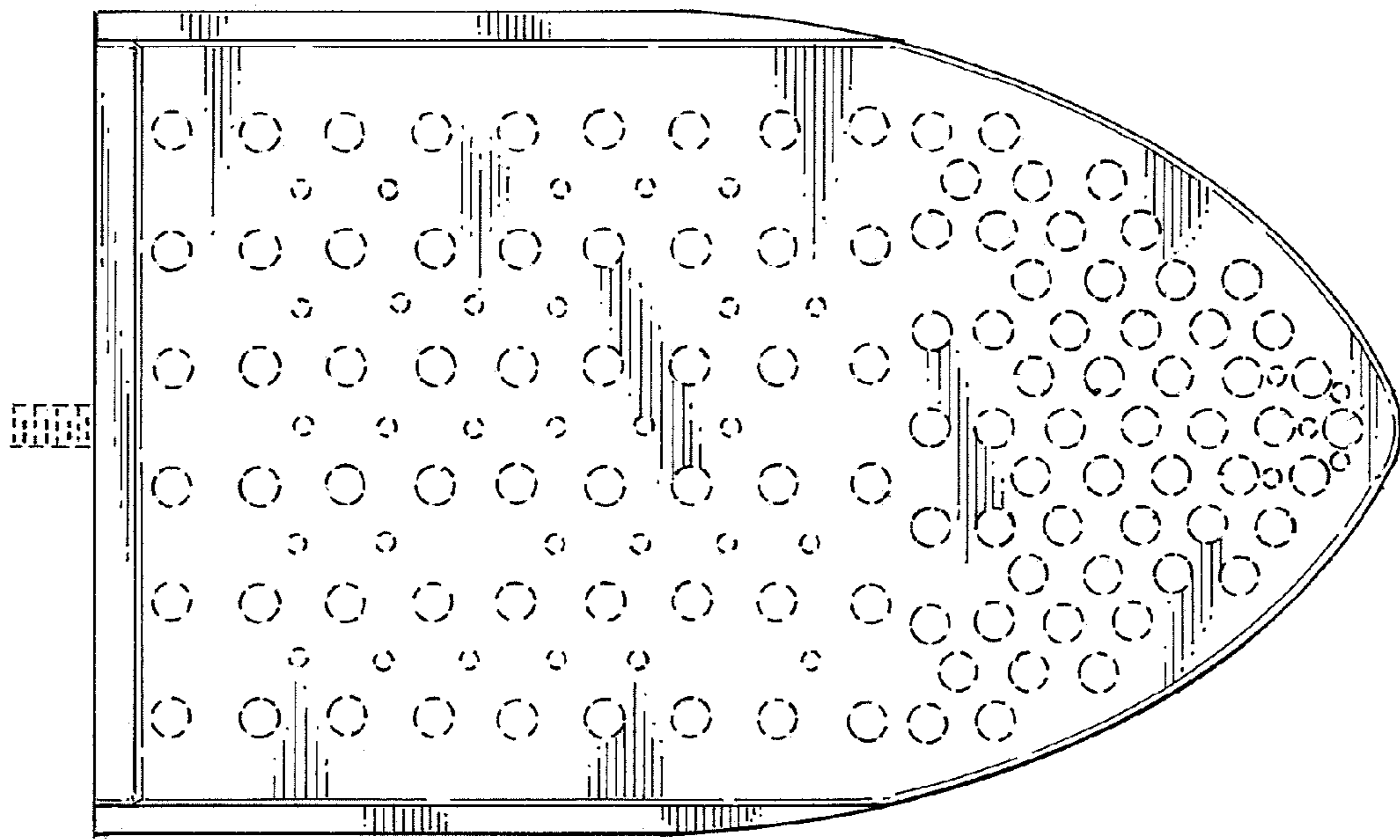


FIG. 5

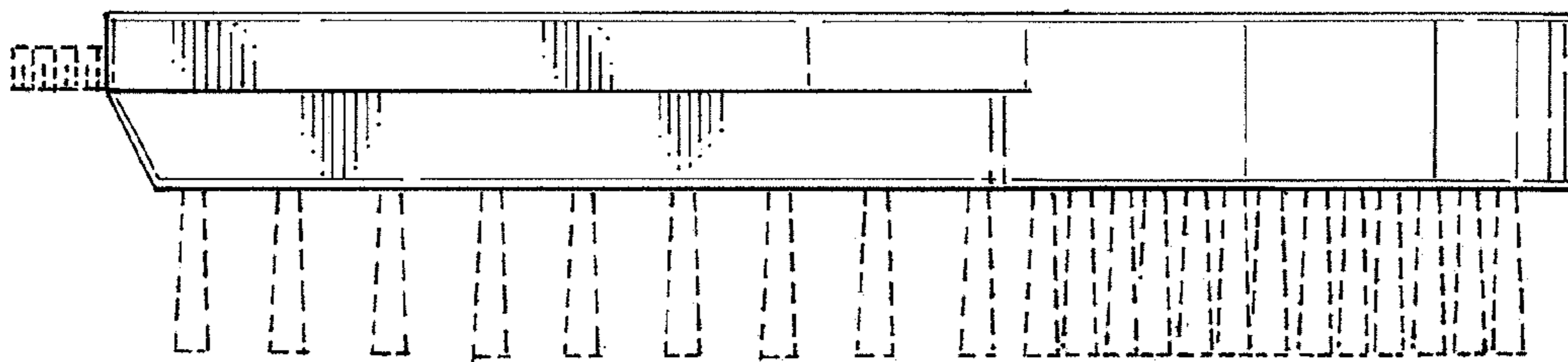


FIG. 6

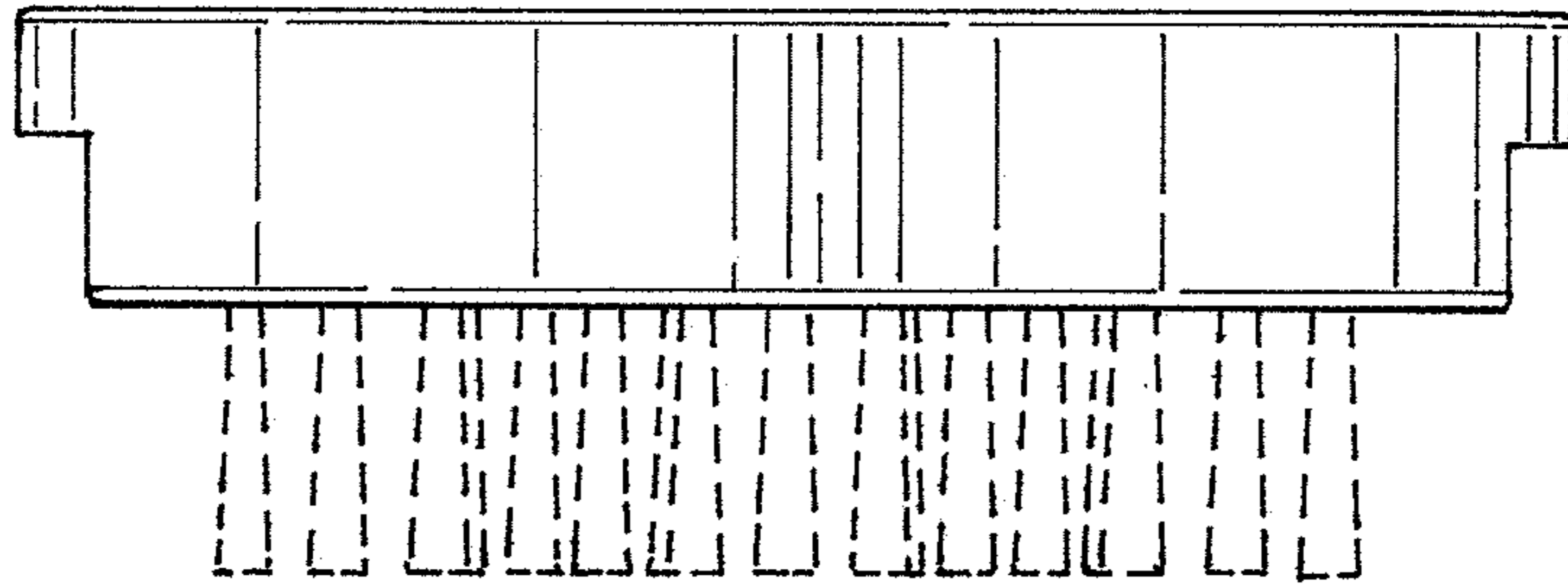


FIG. 7

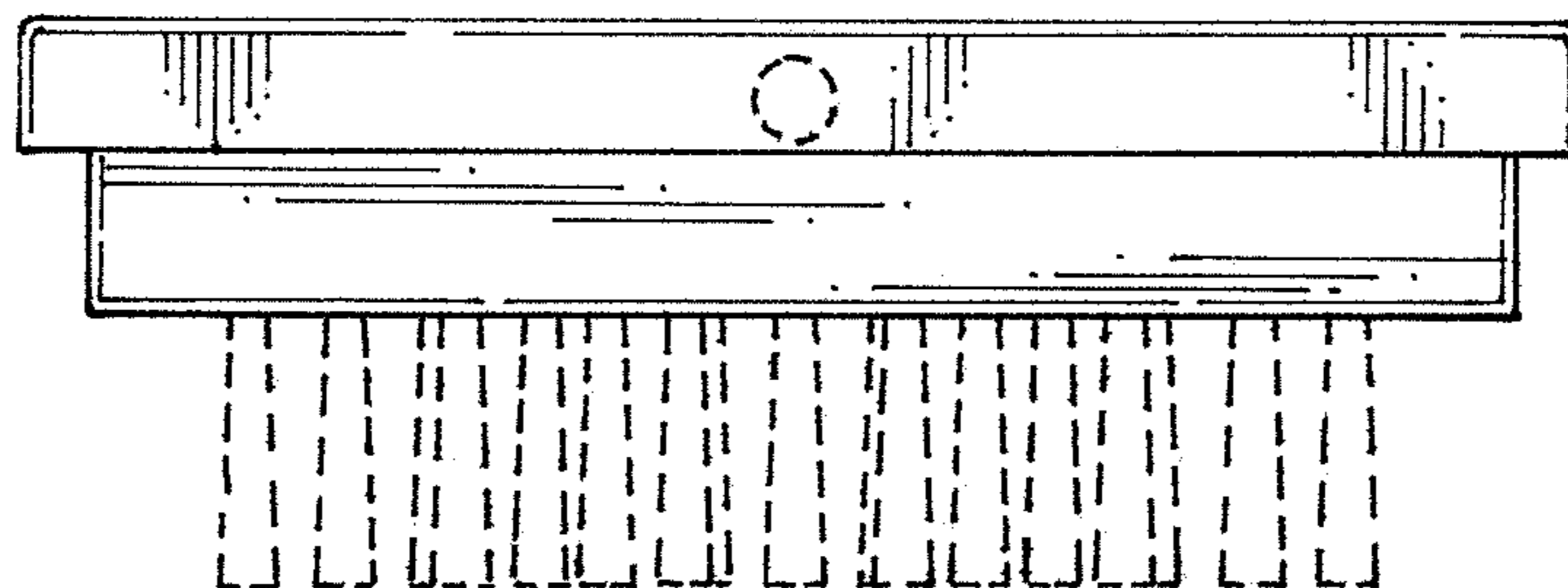


FIG. 8