



US00D679908S

(12) **United States Design Patent**
Hurt et al.

(10) **Patent No.:** **US D679,908 S**
(45) **Date of Patent:** **** Apr. 16, 2013**

(54) **UTILITY BOX**

(74) *Attorney, Agent, or Firm* — McGuireWoods LLP

(75) Inventors: **Tom Hurt**, Elgin, IL (US); **John H. Whalen**, Sheridan, IL (US)

(57) **CLAIM**
We claim the ornamental design for a utility box, as shown and described.

(73) Assignee: **Plano Molding Company**, Plano, IL (US)

(**) Term: **14 Years**

DESCRIPTION

(21) Appl. No.: **29/418,488**

(22) Filed: **Apr. 17, 2012**

(51) **LOC (9) Cl.** **03-01**

(52) **U.S. Cl.**
USPC **D3/294**

(58) **Field of Classification Search** D3/293–295,
D3/273, 302, 905, 276, 283, 201; 206/349,
206/372; D7/629; D30/133; D9/420; 220/523,
220/4.21, 4.22

See application file for complete search history.

FIG. 1 is a top view of the utility box, without removable inserts;
FIG. 2 is a front view of the utility box shown in FIG. 1, without removable inserts;
FIG. 3 is a left side view of the utility box shown in FIG. 1, without removable inserts;
FIG. 4 is a right side view of the utility box shown in FIG. 1, without removable inserts;
FIG. 5 is a bottom view of the utility box shown in FIG. 1, without removable inserts;
FIG. 6 is an open top perspective view of the utility box shown in FIG. 1, without removable inserts;
FIG. 7 is an open bottom perspective view of the utility box shown in FIG. 1, without removable inserts;
FIG. 8 is a top view of the utility box shown in FIG. 1, with removable inserts inserted into the design;
FIG. 9 is a bottom view of the utility box shown in FIG. 1, with removable inserts inserted into the design; and,
FIG. 10 is an open top perspective view of the utility box shown in FIG. 1, with removable inserts inserted into the design.

The broken lines of the utility box are included for the purpose of showing portions of the article and form no part of the claimed design.

(56) **References Cited**

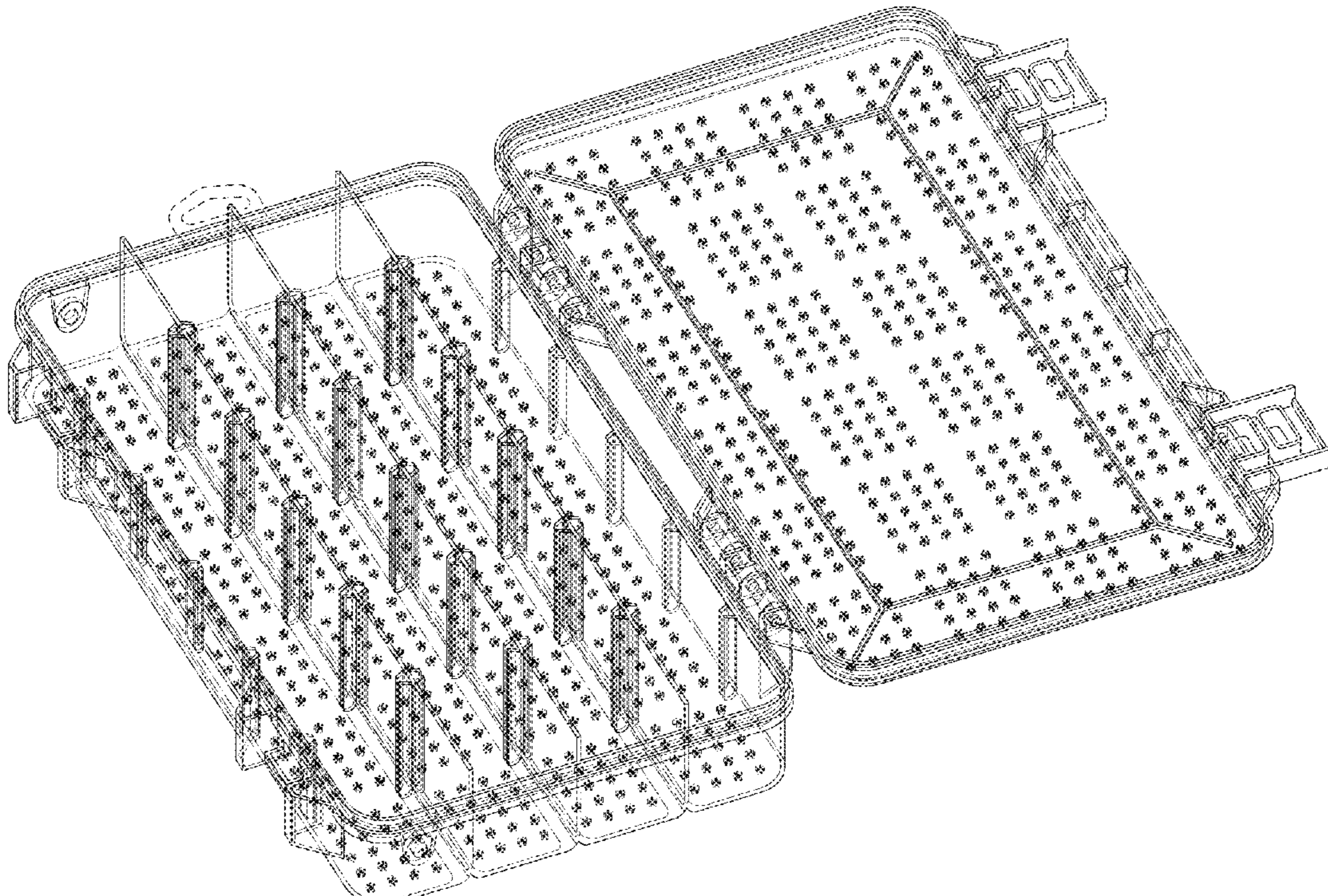
U.S. PATENT DOCUMENTS

D468,531 S *	1/2003	Hsu	D3/282
7,246,704 B2 *	7/2007	Brunson et al.	206/372
D613,944 S *	4/2010	Molina	D3/294
D617,987 S *	6/2010	Wang	D3/294
D645,663 S *	9/2011	Henley et al.	D3/294
D647,303 S *	10/2011	Mish et al.	D3/294
D650,173 S *	12/2011	Lima et al.	D3/293

* cited by examiner

Primary Examiner — Sheryl Lane

1 Claim, 8 Drawing Sheets



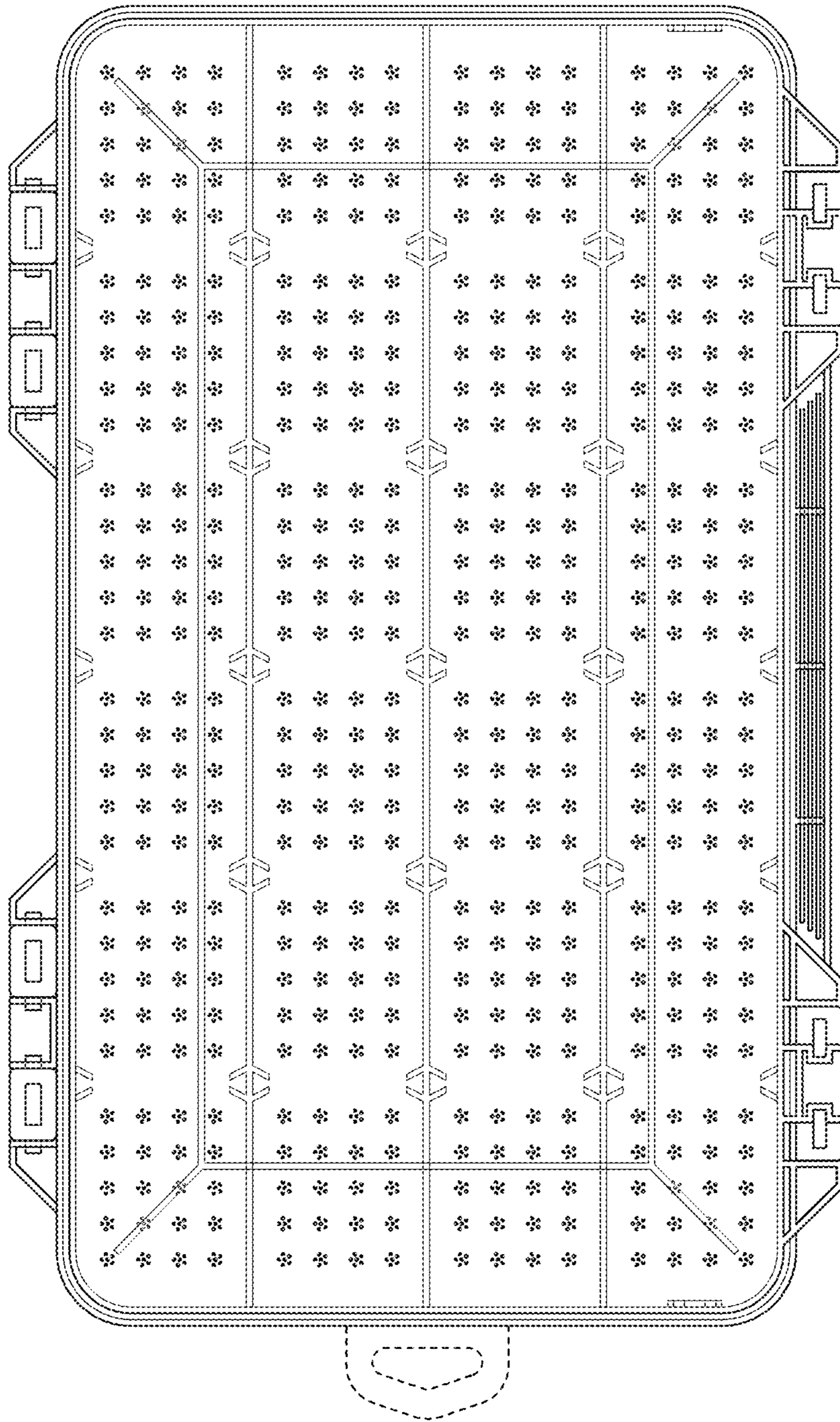


FIG. 1

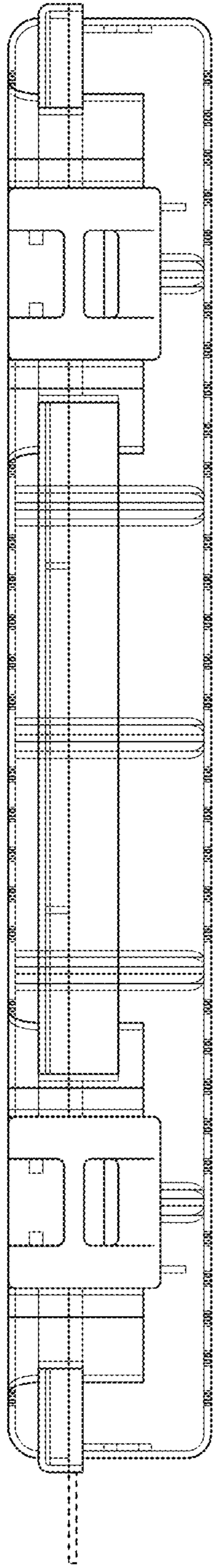


FIG. 2

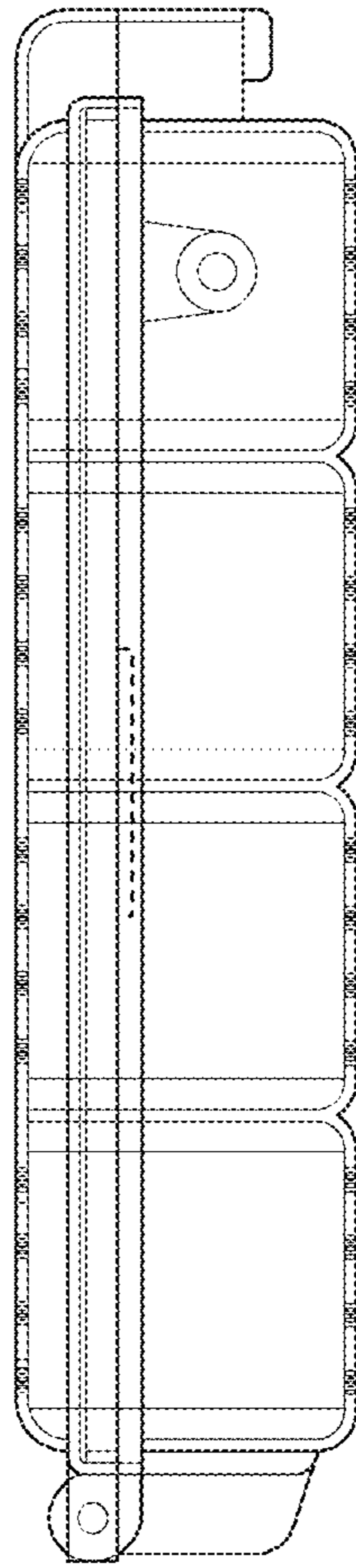


FIG. 3

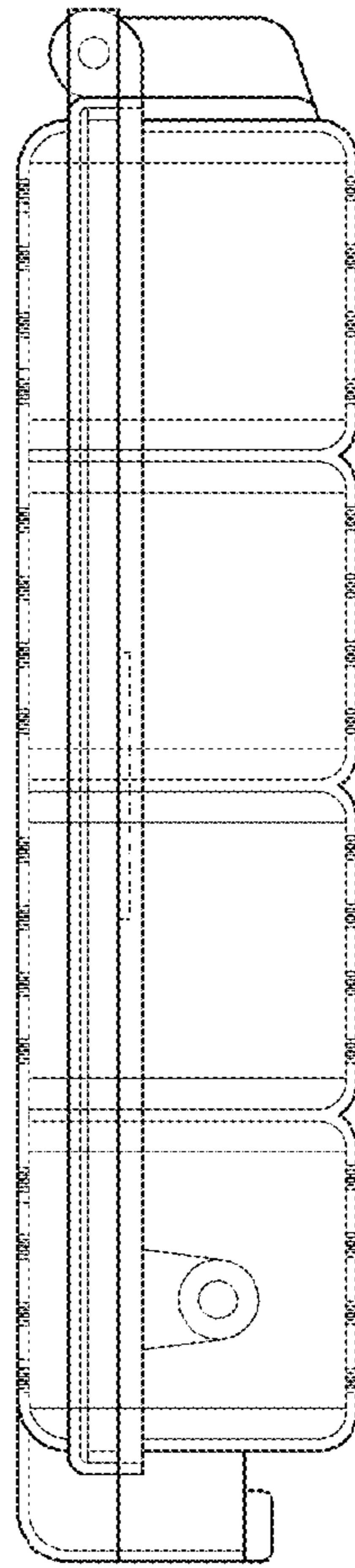


FIG. 4

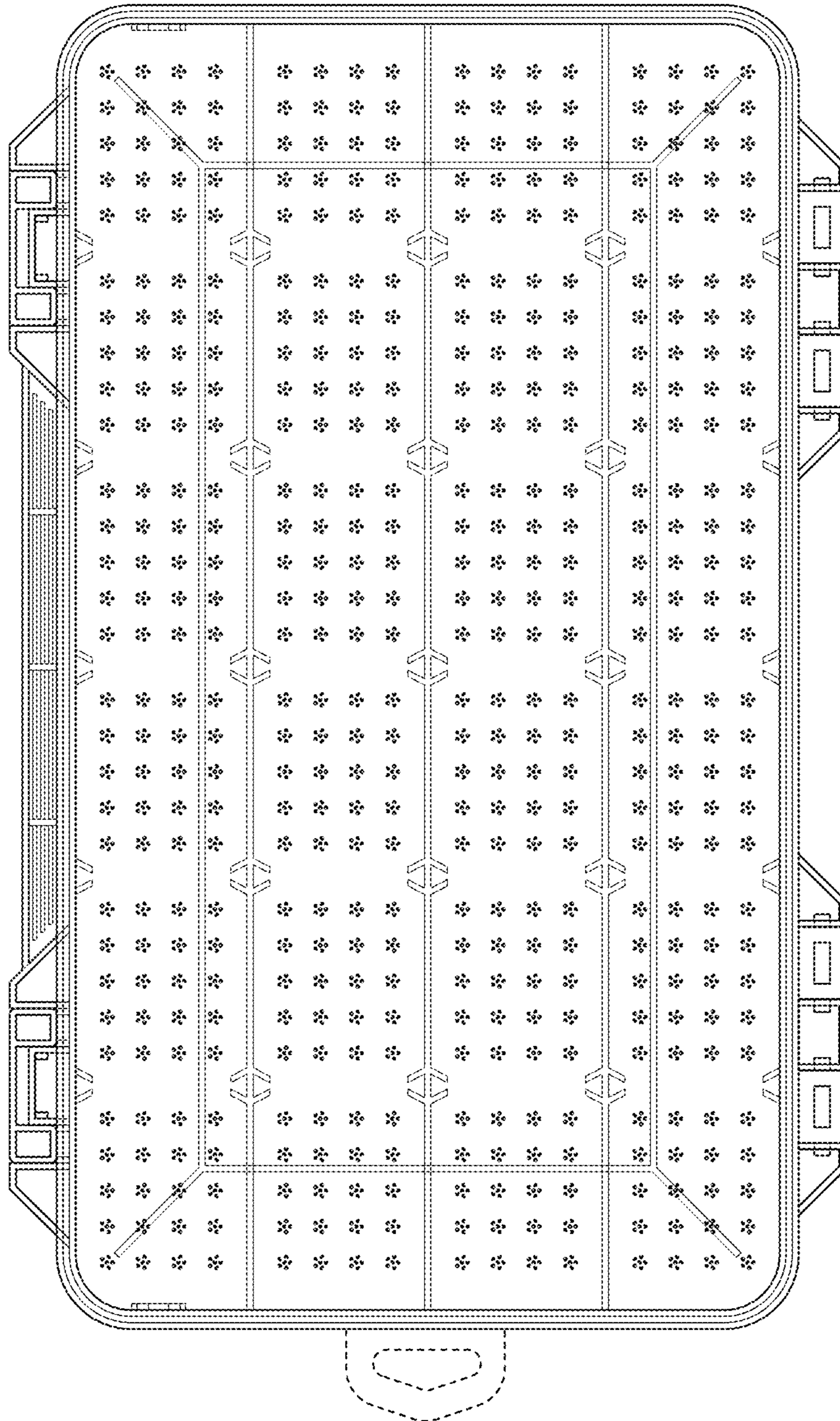


FIG. 5

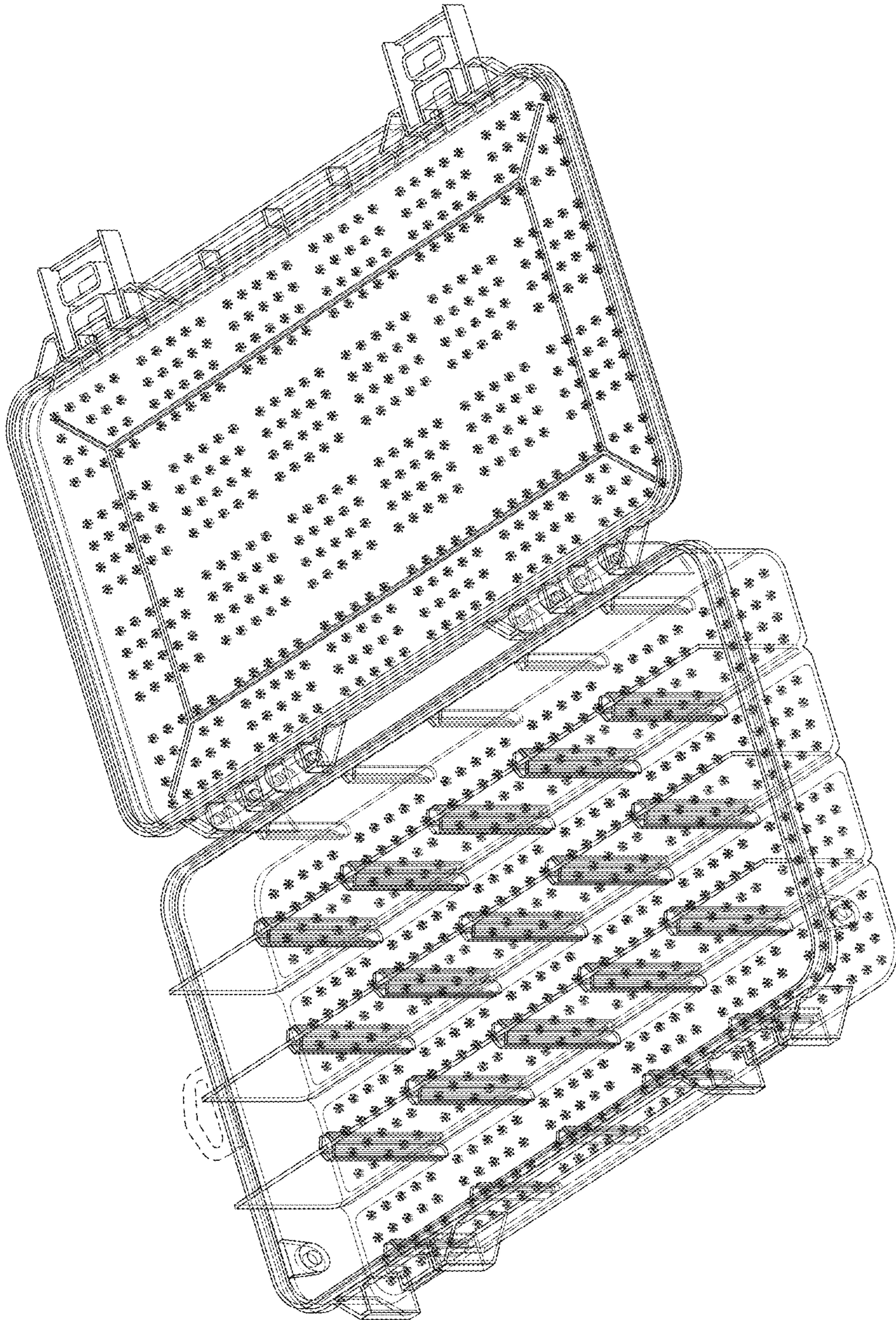


FIG. 6

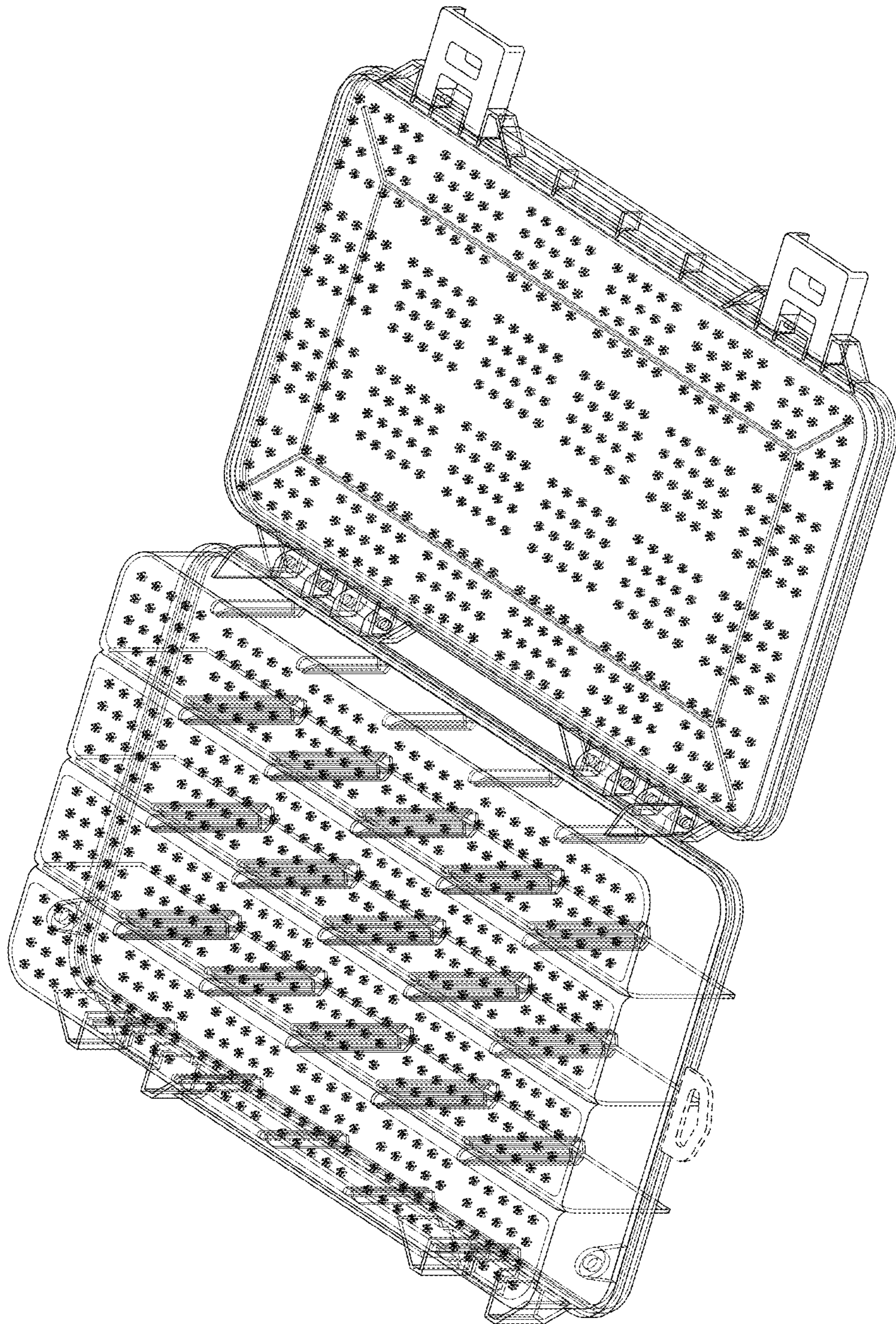


FIG. 7

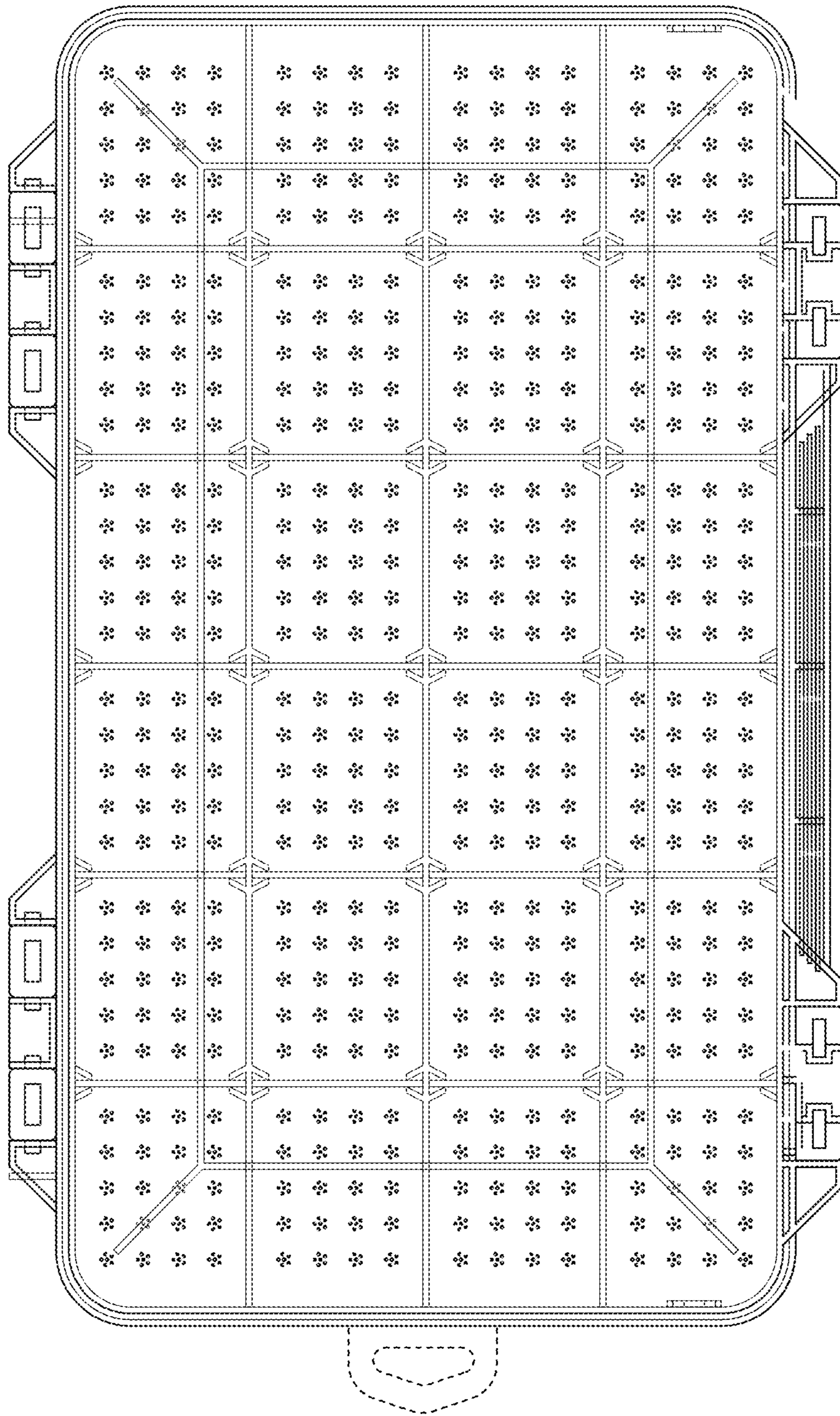


FIG. 8

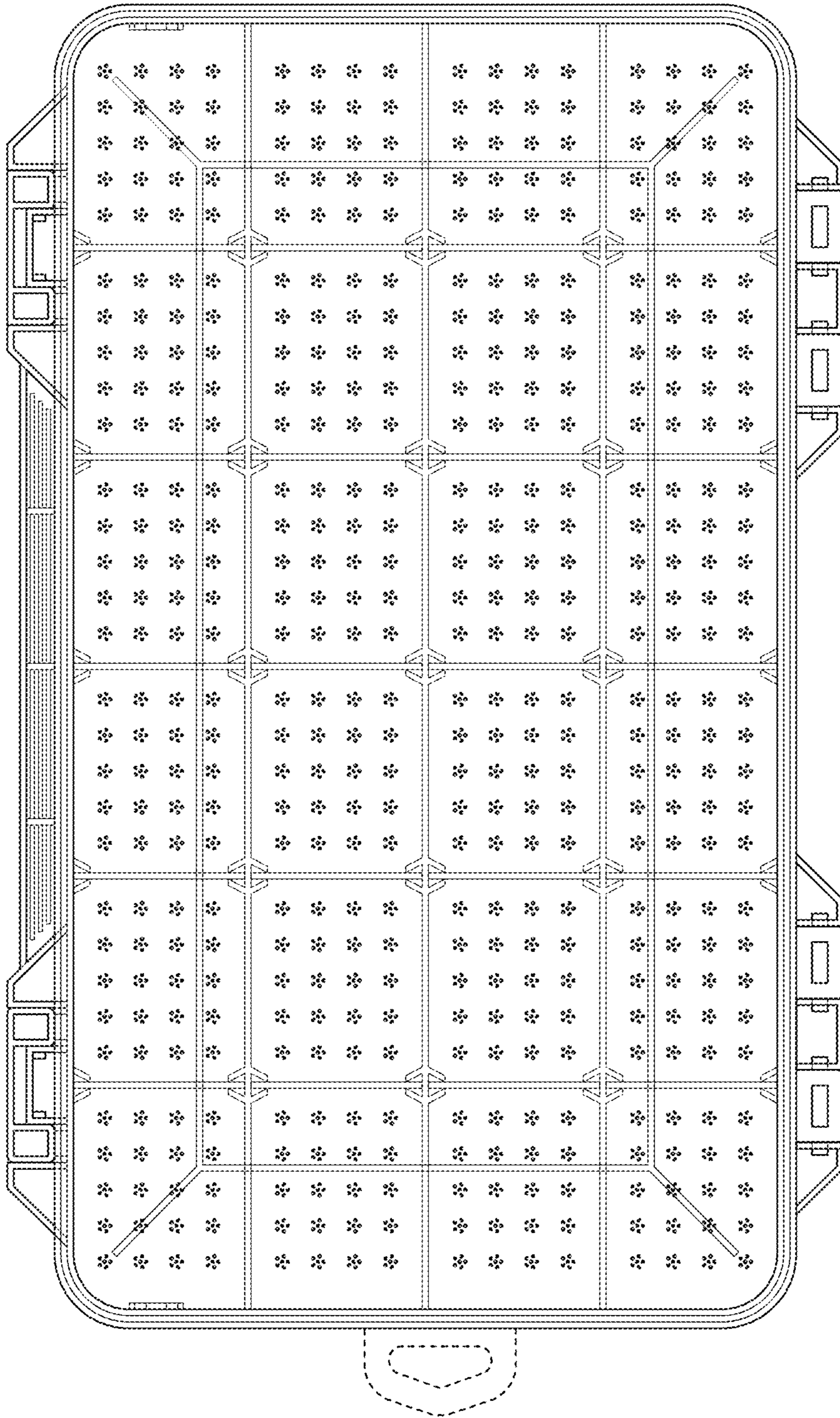


FIG. 9

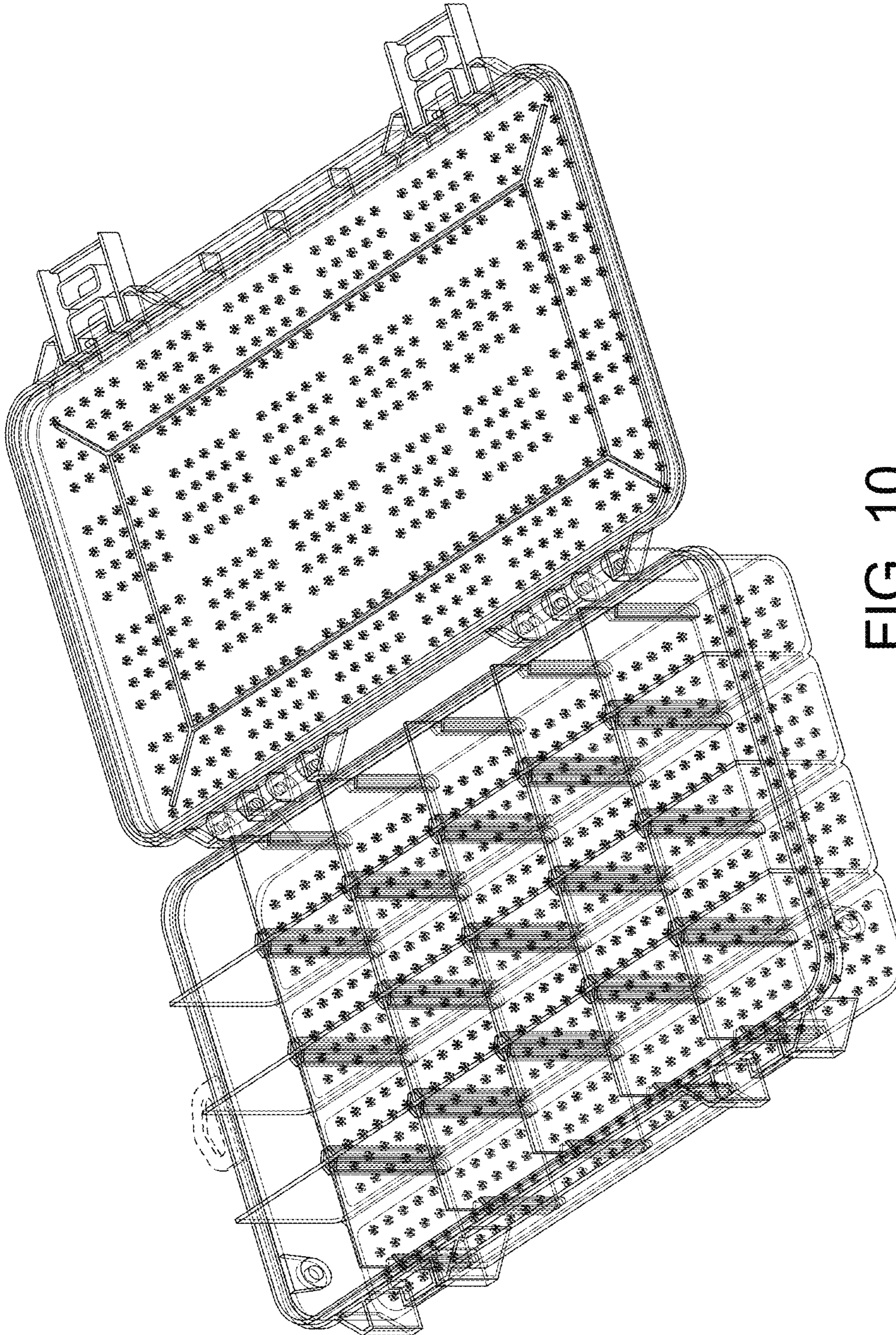


FIG. 10