



US00D679904S

(12) **United States Design Patent**
Allan

(10) **Patent No.:** **US D679,904 S**

(45) **Date of Patent:** **** Apr. 16, 2013**

(54) **CASE FOR BREATHING APPARATUS**

(75) Inventor: **Jason E. Allan**, Tyne & Wear (GB)

(73) Assignee: **Draeger Safety UK Limited**, Blyth
(Northumberland) (GB)

(**) Term: **14 Years**

(21) Appl. No.: **29/419,753**

(22) Filed: **May 1, 2012**

(30) **Foreign Application Priority Data**

Nov. 2, 2011 (EM) 001941188

(51) **LOC (9) Cl.** **03-01**

(52) **U.S. Cl.**
USPC **D3/203.1**

(58) **Field of Classification Search** D3/203.1,
D3/203.6, 203.7, 201, 272-273, 276, 316,
D3/255; D24/110; D23/202, 206, 209, 260

See application file for complete search history.

(56) **References Cited**

U.S. PATENT DOCUMENTS

D238,979 S * 2/1976 Perry D3/203.1
D319,898 S * 9/1991 Whitworth D3/316
D430,400 S * 9/2000 Harper et al. D3/316

* cited by examiner

Primary Examiner — Catheri Oliver-Garcia

(74) *Attorney, Agent, or Firm* — DLA Piper LLP (US)

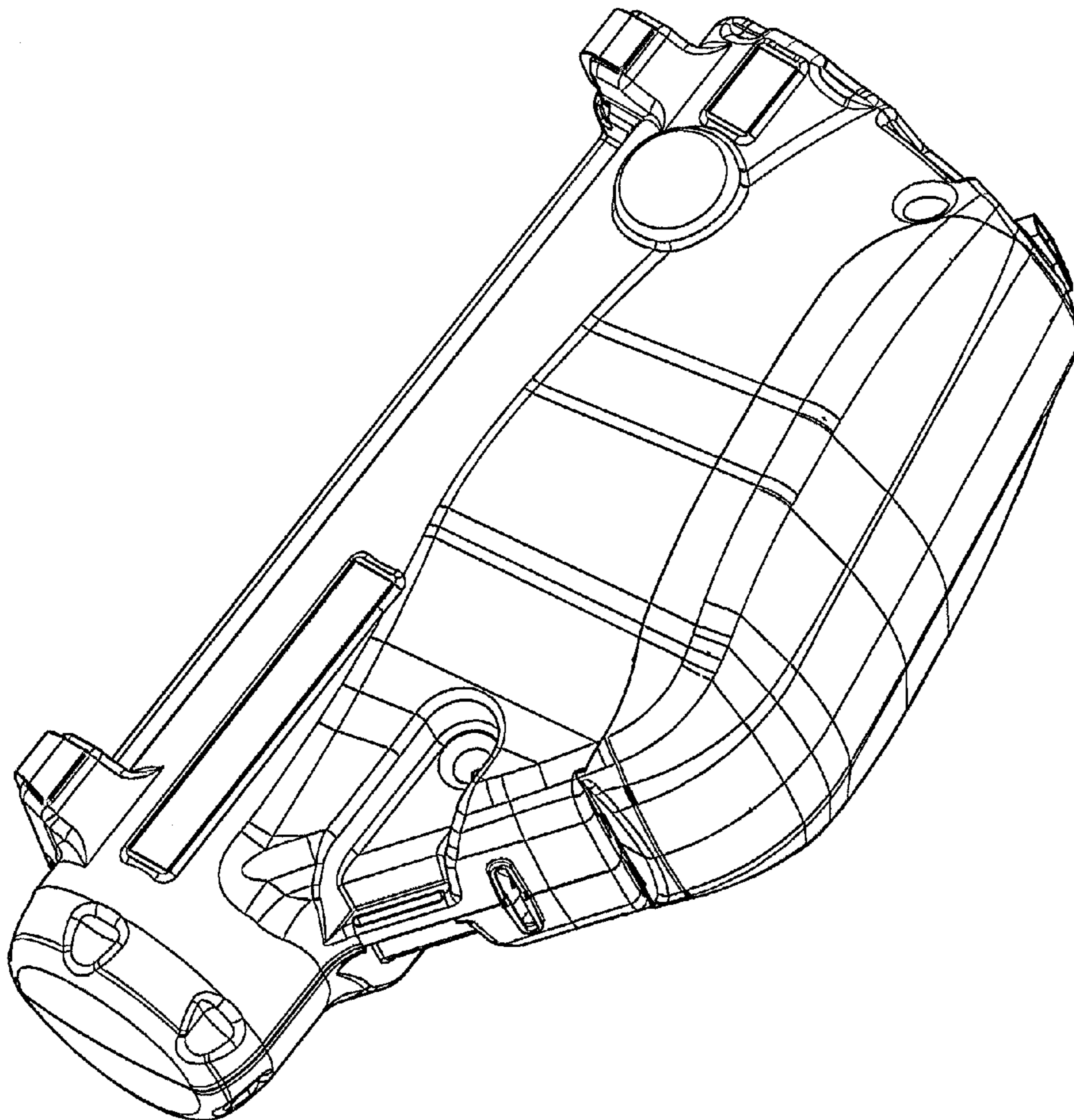
(57) **CLAIM**

The ornamental design for a case for breathing apparatus, as shown and described.

DESCRIPTION

FIG. 1 shows a first perspective view of the invention;
FIG. 2 shows a second perspective view of the invention;
FIG. 3 shows a top view of the invention;
FIG. 4 shows a bottom view of the invention;
FIG. 5 shows a side view of the invention;
FIG. 6 shows a front view of the invention; and,
FIG. 7 shows a third perspective view of the invention.

1 Claim, 7 Drawing Sheets



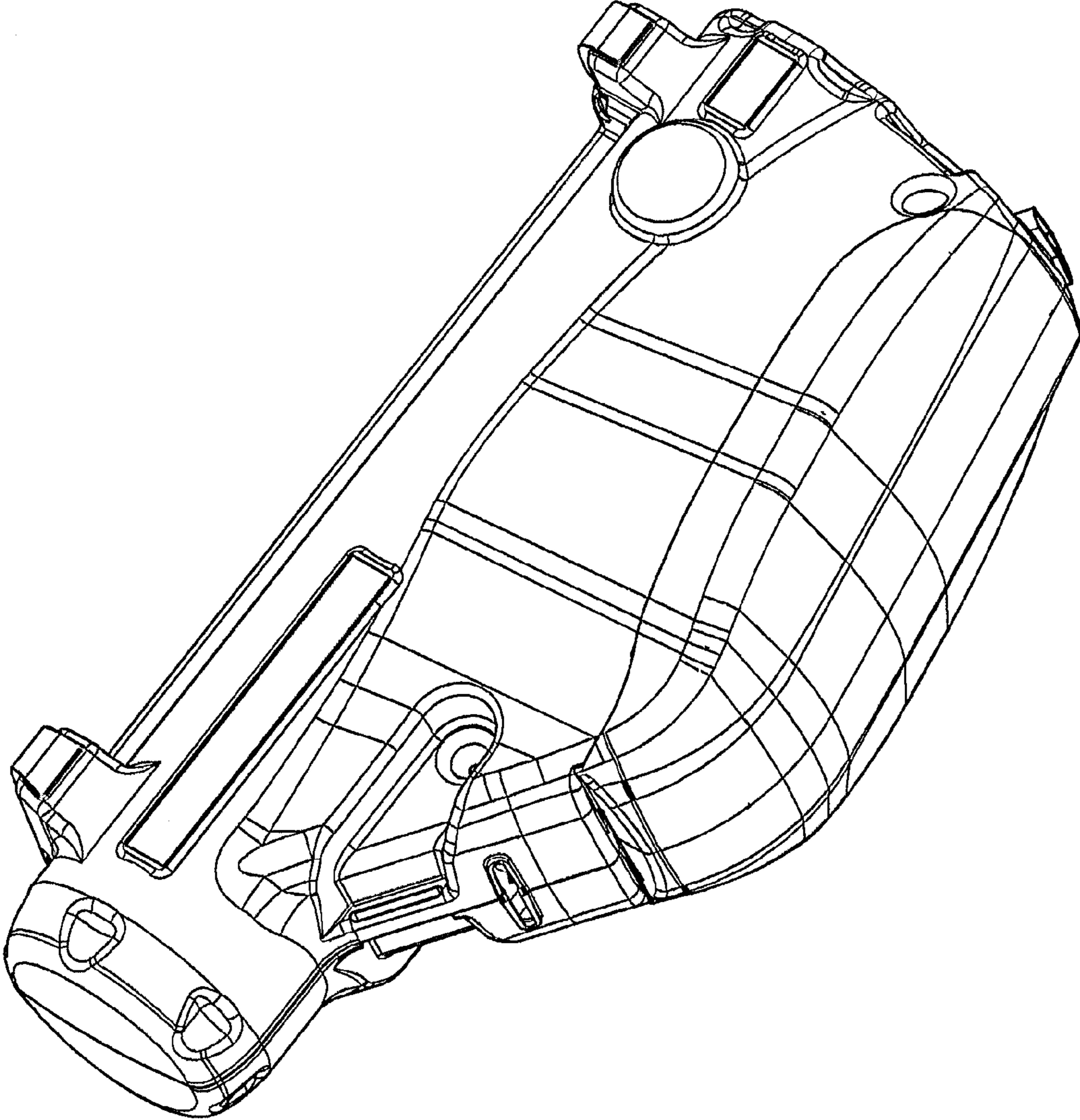


FIG. 1

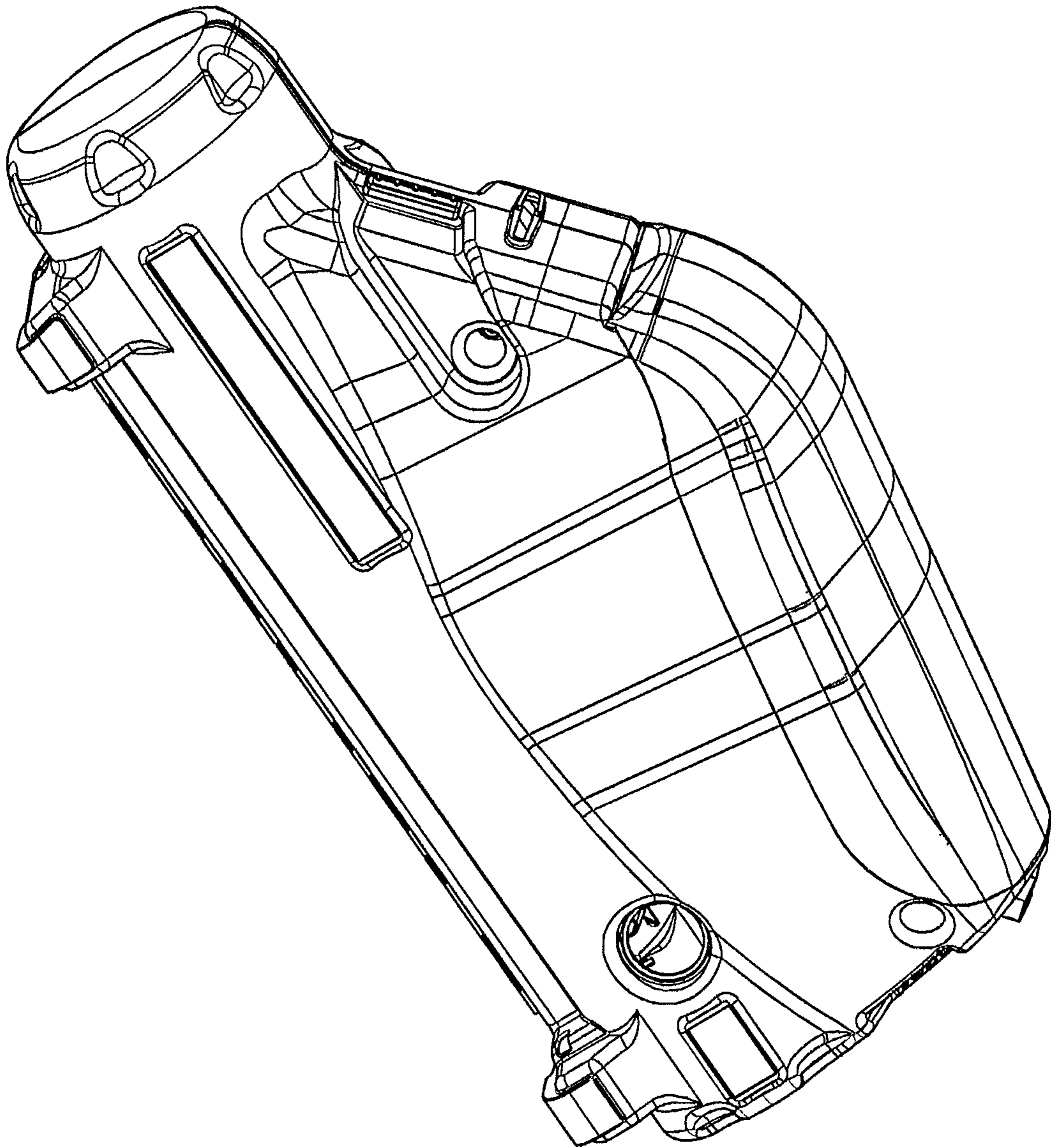


FIG. 2

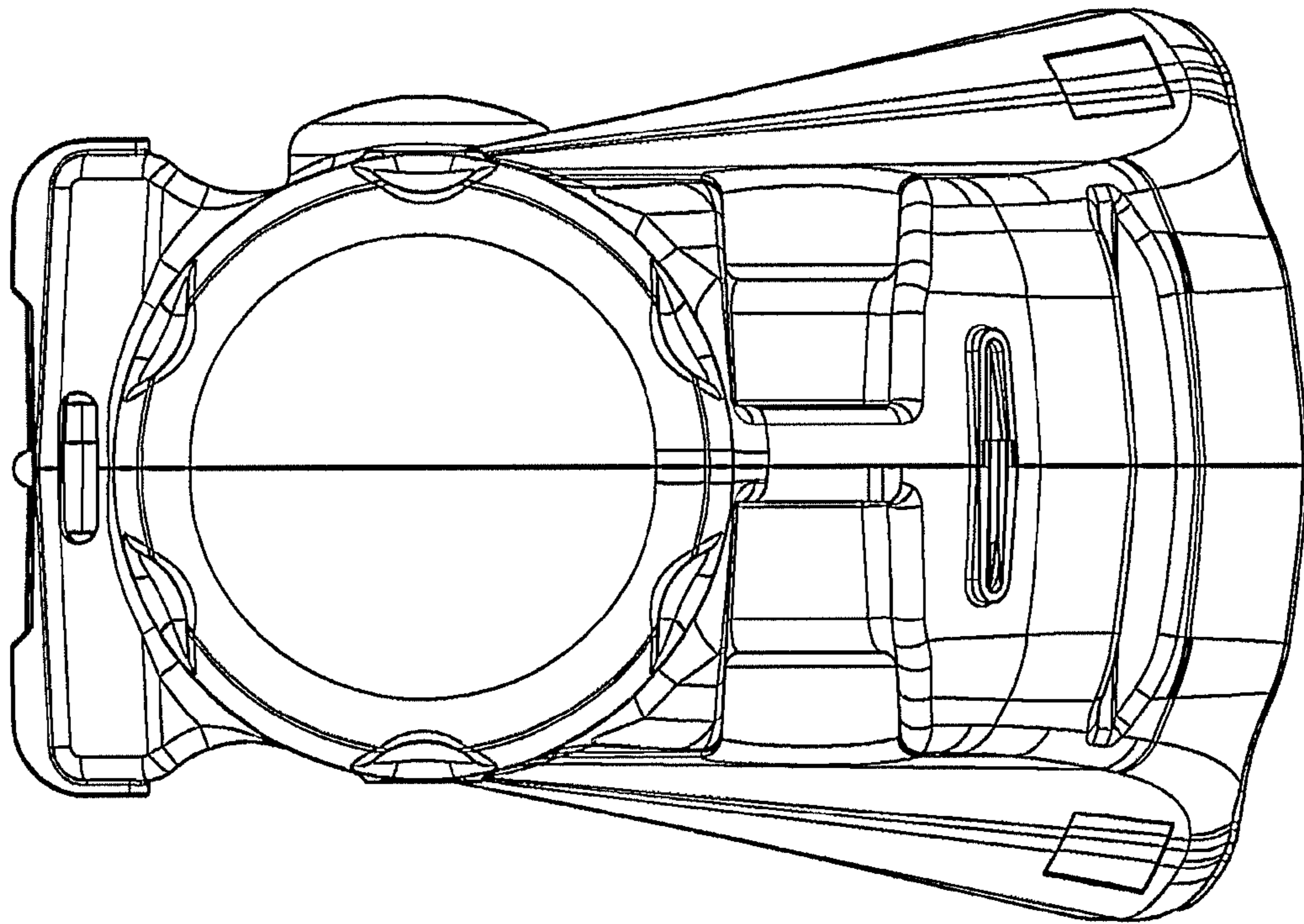


FIG. 3

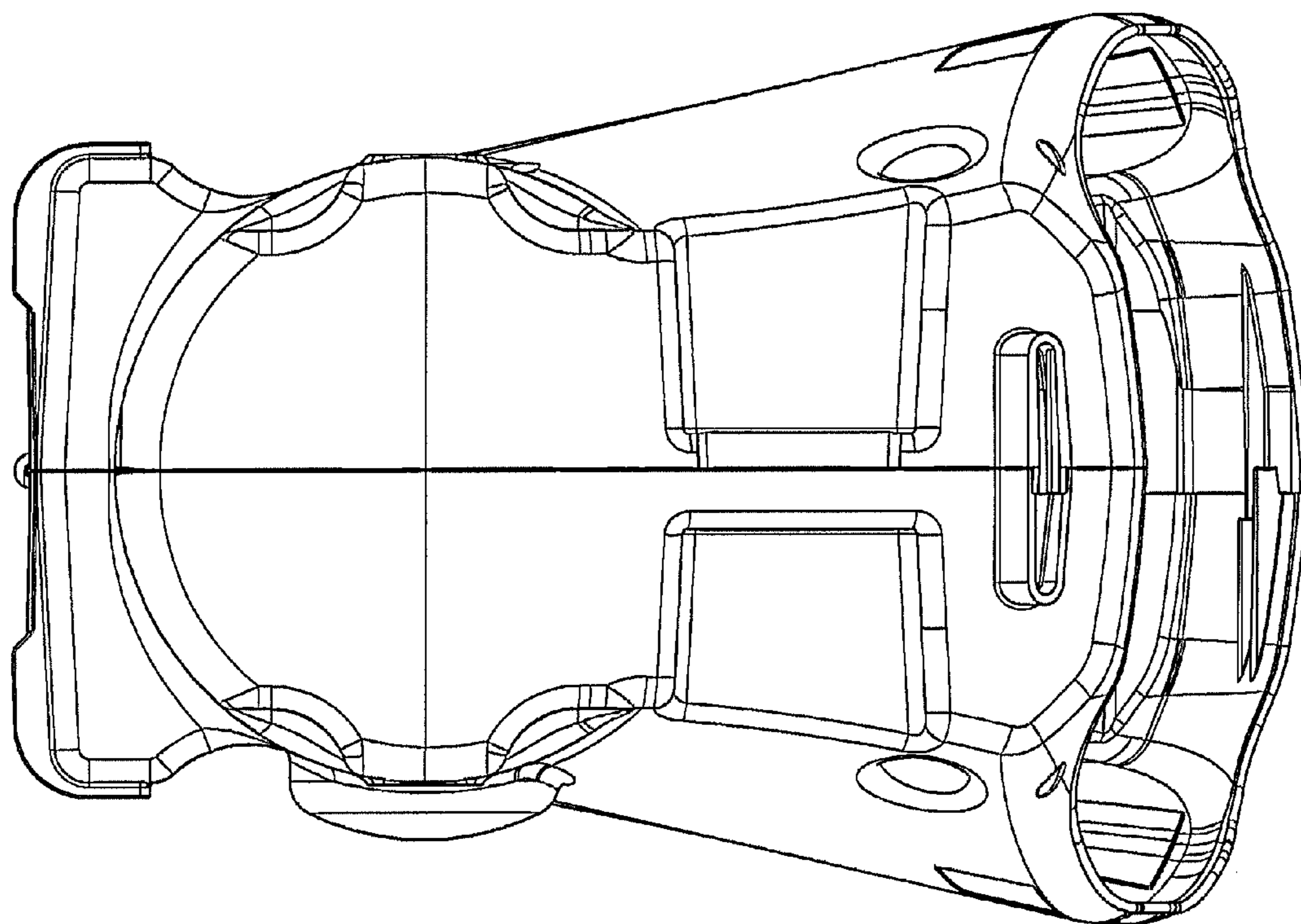


FIG. 4

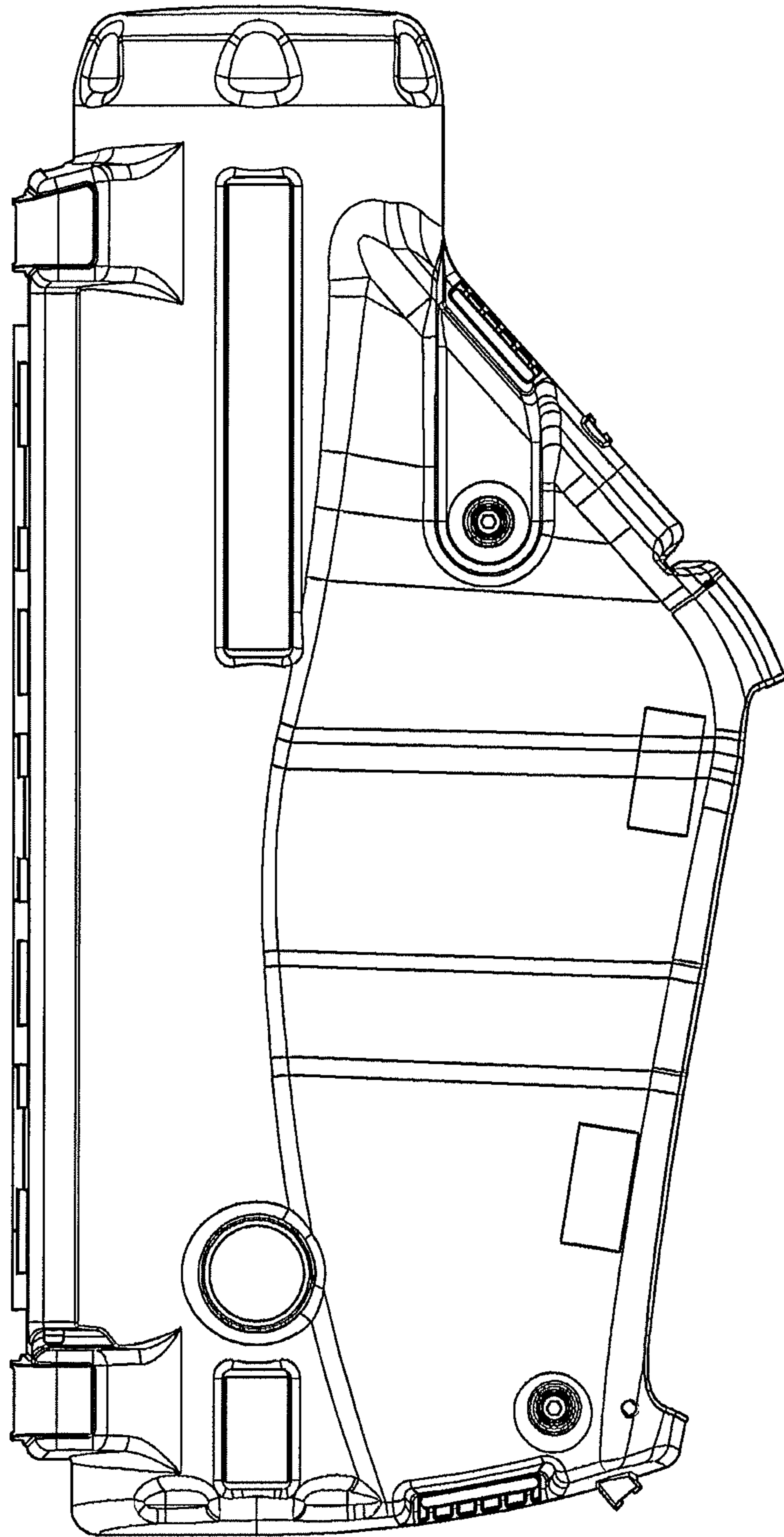


FIG. 5

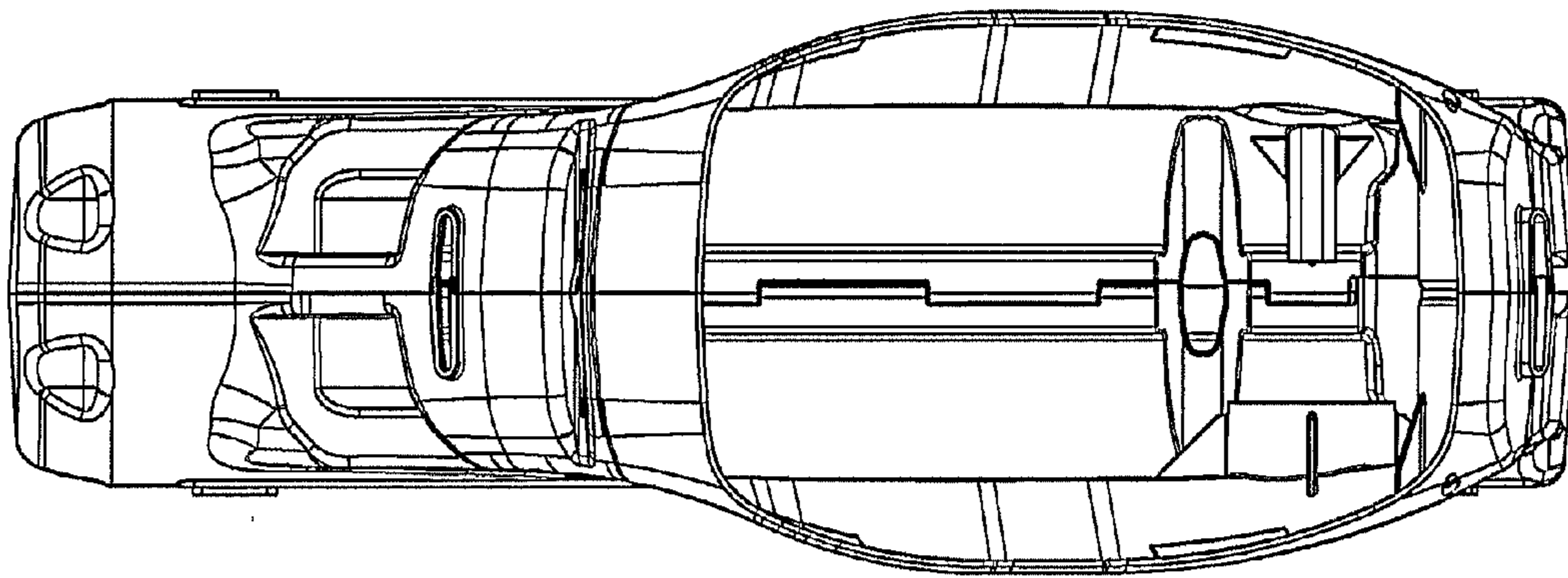


FIG. 6

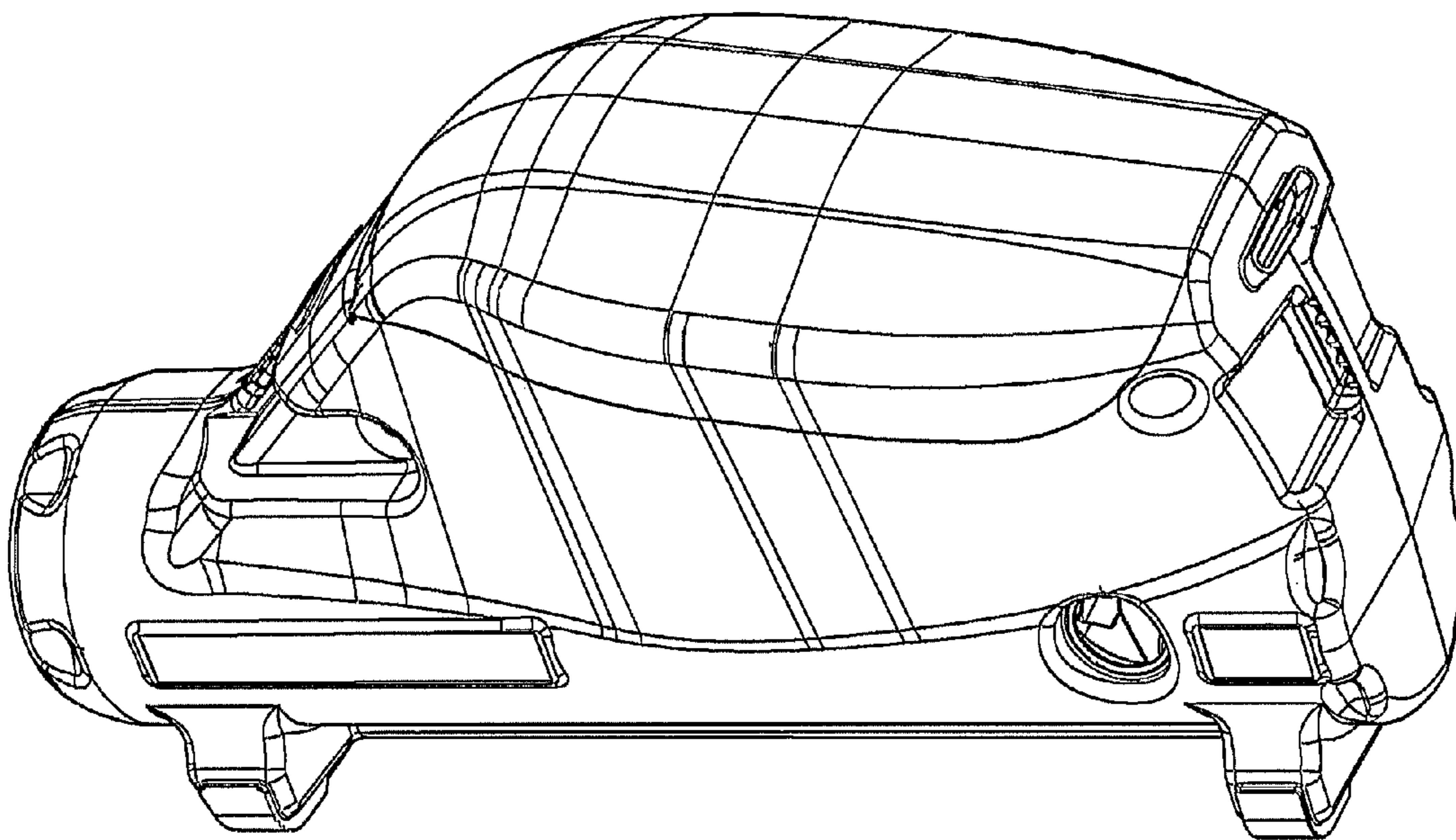


FIG. 7