

US00D679901S

(12) **United States Design Patent**
Raysse

(10) **Patent No.:** **US D679,901 S**
(45) **Date of Patent:** **** Apr. 16, 2013**

(54) **SHOE BOTTOM**
(75) Inventor: **David Raysse**, Los Angeles, CA (US)
(73) Assignee: **Skechers U.S.A., Inc. II**, Manhattan Beach, CA (US)
(**) Term: **14 Years**
(21) Appl. No.: **29/430,072**
(22) Filed: **Aug. 21, 2012**
(51) **LOC (9) Cl.** **02-04**
(52) **U.S. Cl.**
USPC **D2/960; D2/951; D2/957**
(58) **Field of Classification Search** D2/902,
D2/906, 908, 916, 918, 925, 946-962, 977;
36/3 B, 22 R, 24.5, 25 R, 28, 32 R, 34 R,
36/59 C, 67 A, 103
See application file for complete search history.

D475,509 S 6/2003 Avar
D490,220 S * 5/2004 Edauw D2/908
D496,779 S * 10/2004 Belley et al. D2/960
D504,007 S * 4/2005 Cintron D2/953
D521,715 S 5/2006 Lotti
D544,184 S 6/2007 Diaz
D544,185 S 6/2007 Lupo
7,249,426 B2 * 7/2007 Romano et al. 36/93
D547,934 S 8/2007 Loverin
D551,433 S 9/2007 Loverin
D552,837 S 10/2007 Scott
7,290,357 B2 * 11/2007 McDonald et al. 36/102
7,383,647 B2 * 6/2008 Chan et al. 36/28
D584,492 S * 1/2009 Lee D2/957
D597,289 S * 8/2009 Chang D2/960
D602,683 S * 10/2009 Roundhouse D2/957
7,637,036 B2 * 12/2009 Sellers et al. 36/103
7,762,008 B1 * 7/2010 Clark et al. 36/3 B

(Continued)

Primary Examiner — T. Chase Nelson
(74) *Attorney, Agent, or Firm* — Kleinberg & Lerner, LLP;
Marshall A. Lerner; Marvin H. Kleinberg

(56) **References Cited**

U.S. PATENT DOCUMENTS

1,541,234 A 6/1925 Mcknight et al.
4,471,538 A * 9/1984 Pomeranz et al. 36/28
D287,661 S 1/1987 Tonkel
D288,027 S 2/1987 Tonkel
D326,956 S 6/1992 Damianoe et al.
D333,211 S 2/1993 Foster
5,199,191 A * 4/1993 Moumdjian 36/28
D337,880 S 8/1993 Foster
D347,105 S 5/1994 Johnson
5,384,973 A * 1/1995 Lyden 36/25 R
D387,698 S 12/1997 Hatfield et al.
D393,538 S 4/1998 Marshall
5,843,268 A * 12/1998 Lyden et al. 156/324.4
5,906,872 A * 5/1999 Lyden et al. 428/52
D412,050 S 7/1999 Chassaing
D429,552 S 8/2000 Kern
D459,063 S * 6/2002 Nason D2/953
D465,079 S 11/2002 Merceron

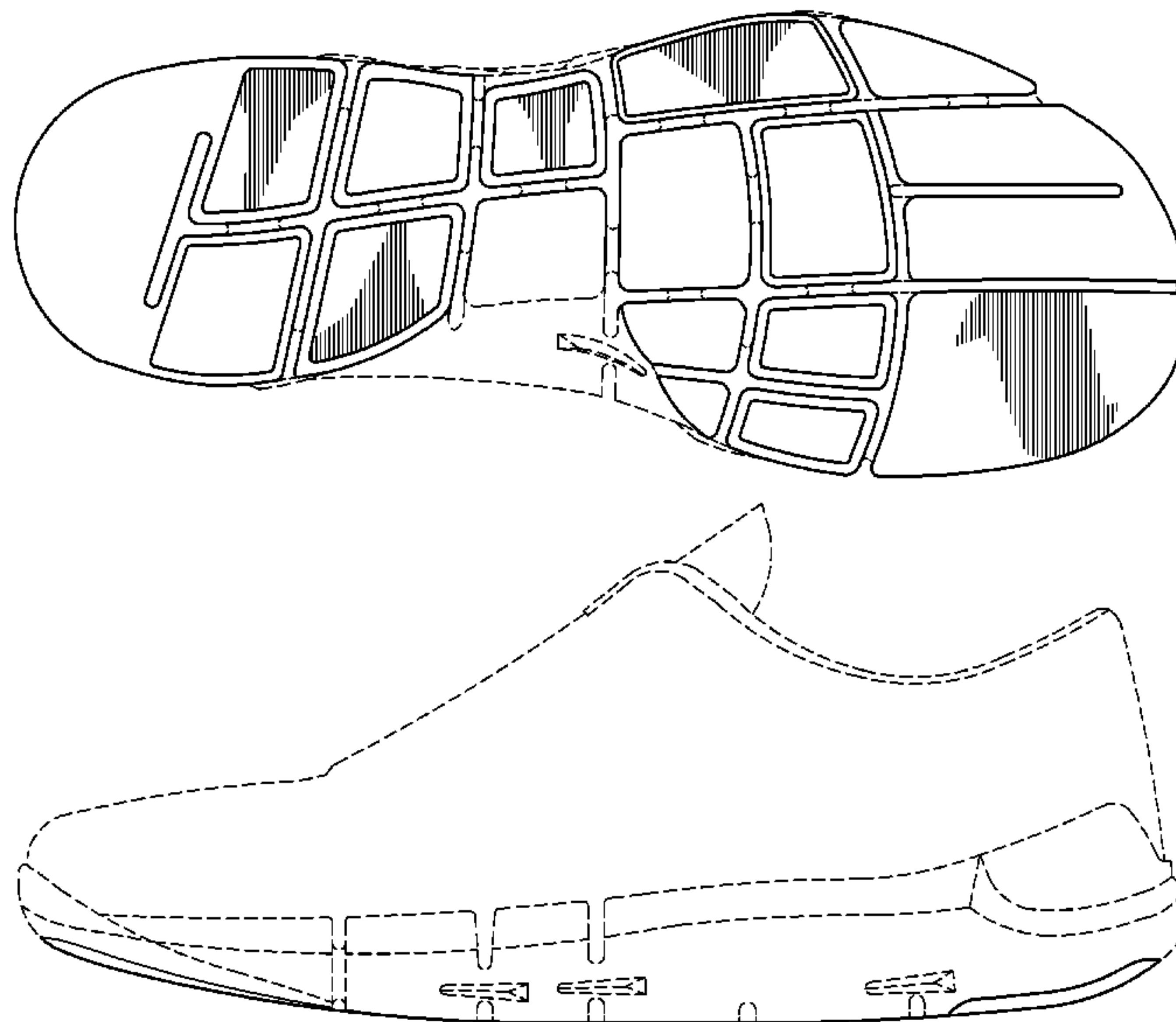
(57) **CLAIM**

The ornamental design for a shoe bottom, as shown and described.

DESCRIPTION

FIG. 1 is a perspective view of a shoe bottom in accordance with my new design.
FIG. 2 is a bottom plan view thereof;
FIG. 3 is a left side view thereof;
FIG. 4 is a right side view thereof;
FIG. 5 is a rear elevation view thereof;
FIG. 6 is a front elevation view thereof; and,
FIG. 7 is a top plan view thereof.
Broken lines showing the remainder of the shoe in the figures are for illustrative purposes only and form no part of the claimed invention.

1 Claim, 6 Drawing Sheets



US D679,901 S

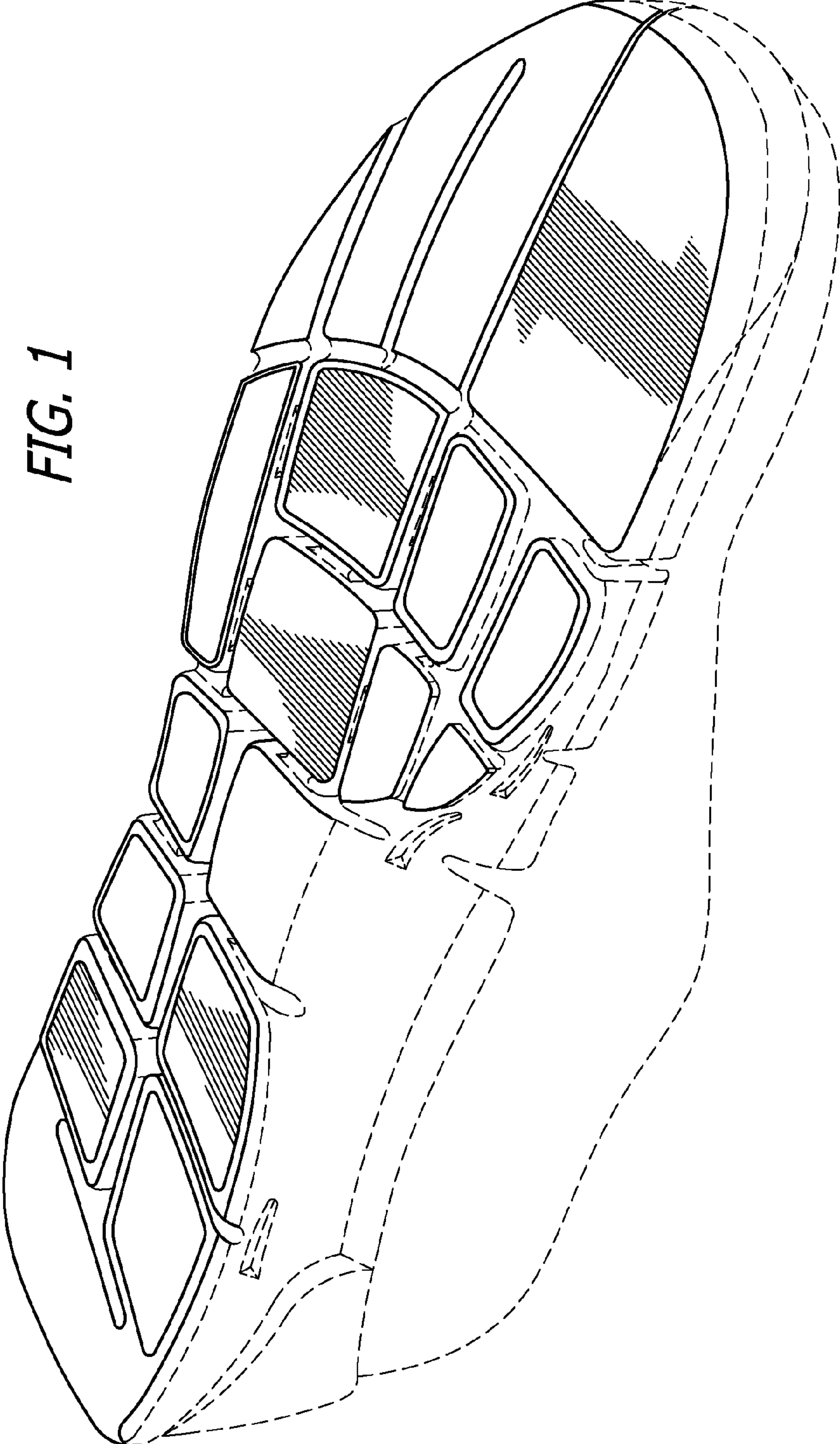
Page 2

U.S. PATENT DOCUMENTS

D621,595 S	8/2010	McClaskie	
D627,549 S *	11/2010	Skaja et al.	D2/961
D632,879 S	2/2011	Merkazy et al.	
D635,755 S	4/2011	McMillan	
7,941,938 B2 *	5/2011	Yu et al.	36/25 R
7,941,941 B2 *	5/2011	Hazenberg et al.	36/28
7,946,058 B2 *	5/2011	Johnson et al.	36/25 R
D642,362 S	8/2011	Miner	
8,020,320 B2 *	9/2011	Gillespie	36/102
D646,874 S	10/2011	Miner	
D653,437 S *	2/2012	Mongelli	D2/957
D659,967 S *	5/2012	Miner	D2/957
D661,077 S *	6/2012	Lee	D2/967
D662,701 S *	7/2012	Raysse	D2/957
2006/0201028 A1 *	9/2006	Chan et al.	36/28
2008/0229617 A1 *	9/2008	Johnson et al.	36/102
2008/0244926 A1 *	10/2008	Yu et al.	36/28
2010/0180474 A1 *	7/2010	Clark et al.	36/3 B
2011/0078922 A1 *	4/2011	Cavaliere et al.	36/54
2011/0154688 A1 *	6/2011	Yu et al.	36/28
2011/0197469 A1 *	8/2011	Nishiwaki et al.	36/28
2011/0214313 A1 *	9/2011	James et al.	36/103
2012/0222332 A1 *	9/2012	Greene et al.	36/103

* cited by examiner

FIG. 1



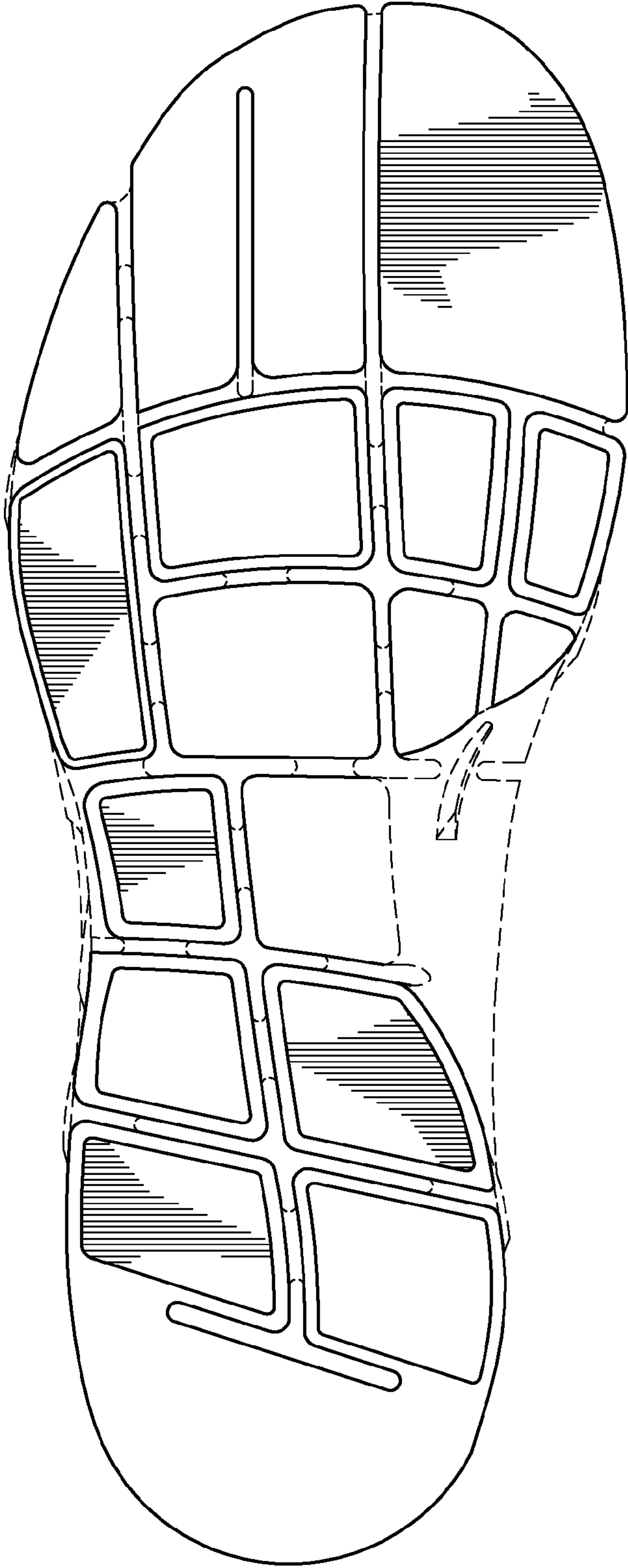
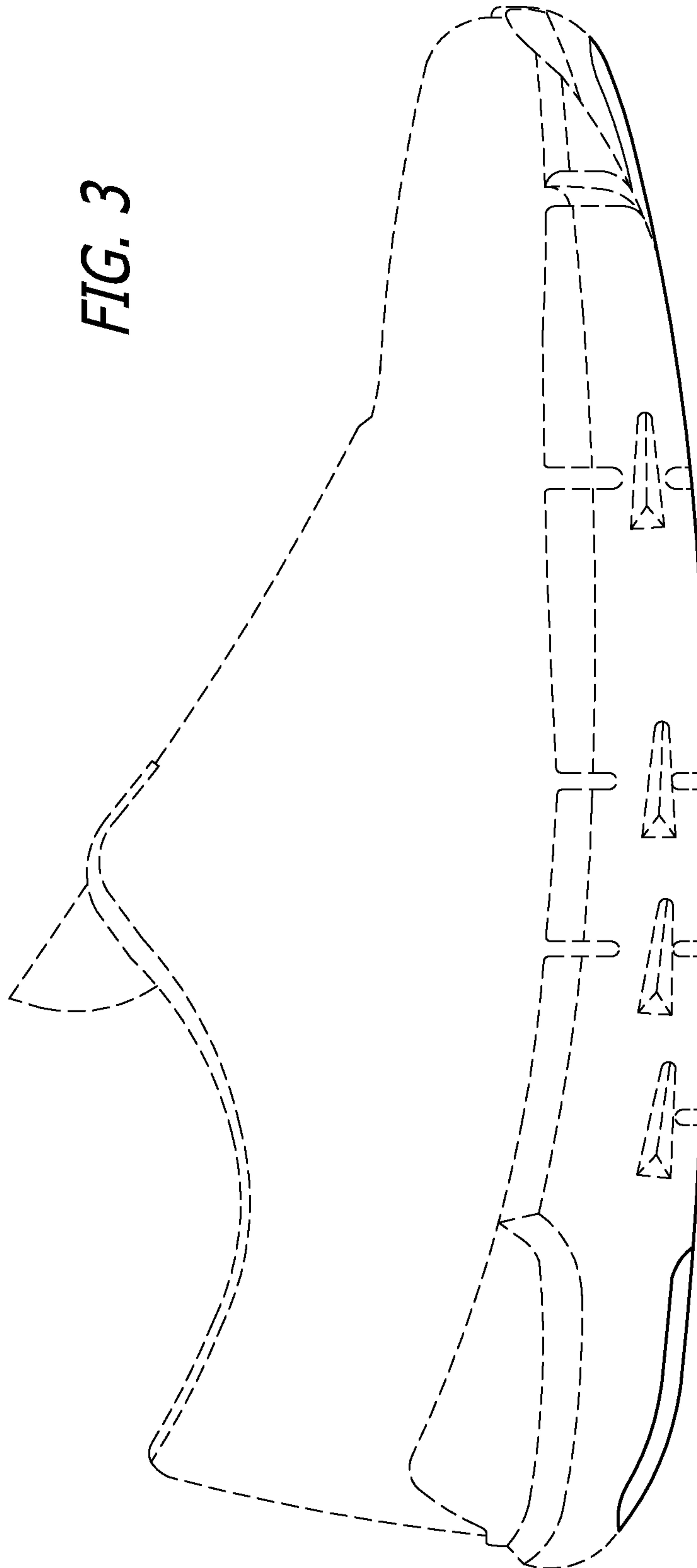


FIG. 2

FIG. 3



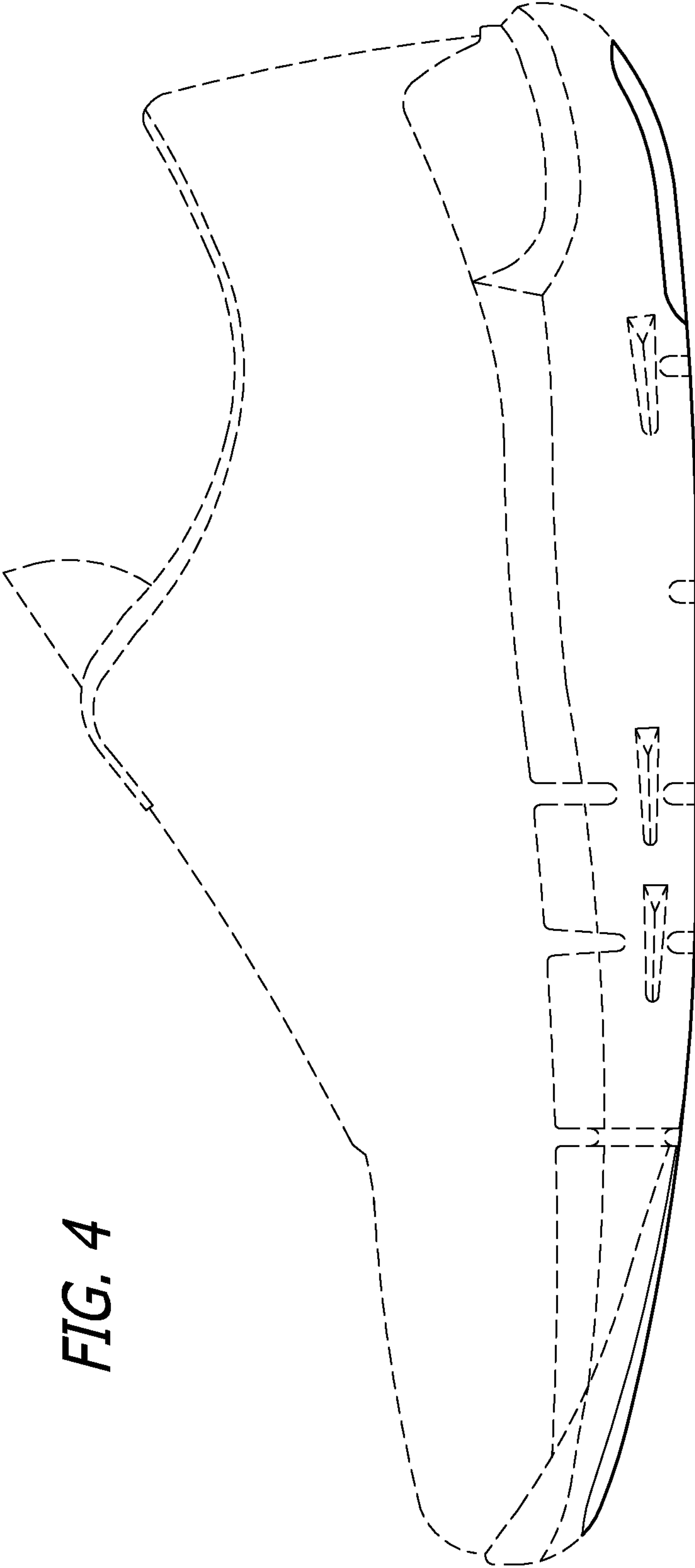


FIG. 4

FIG. 6

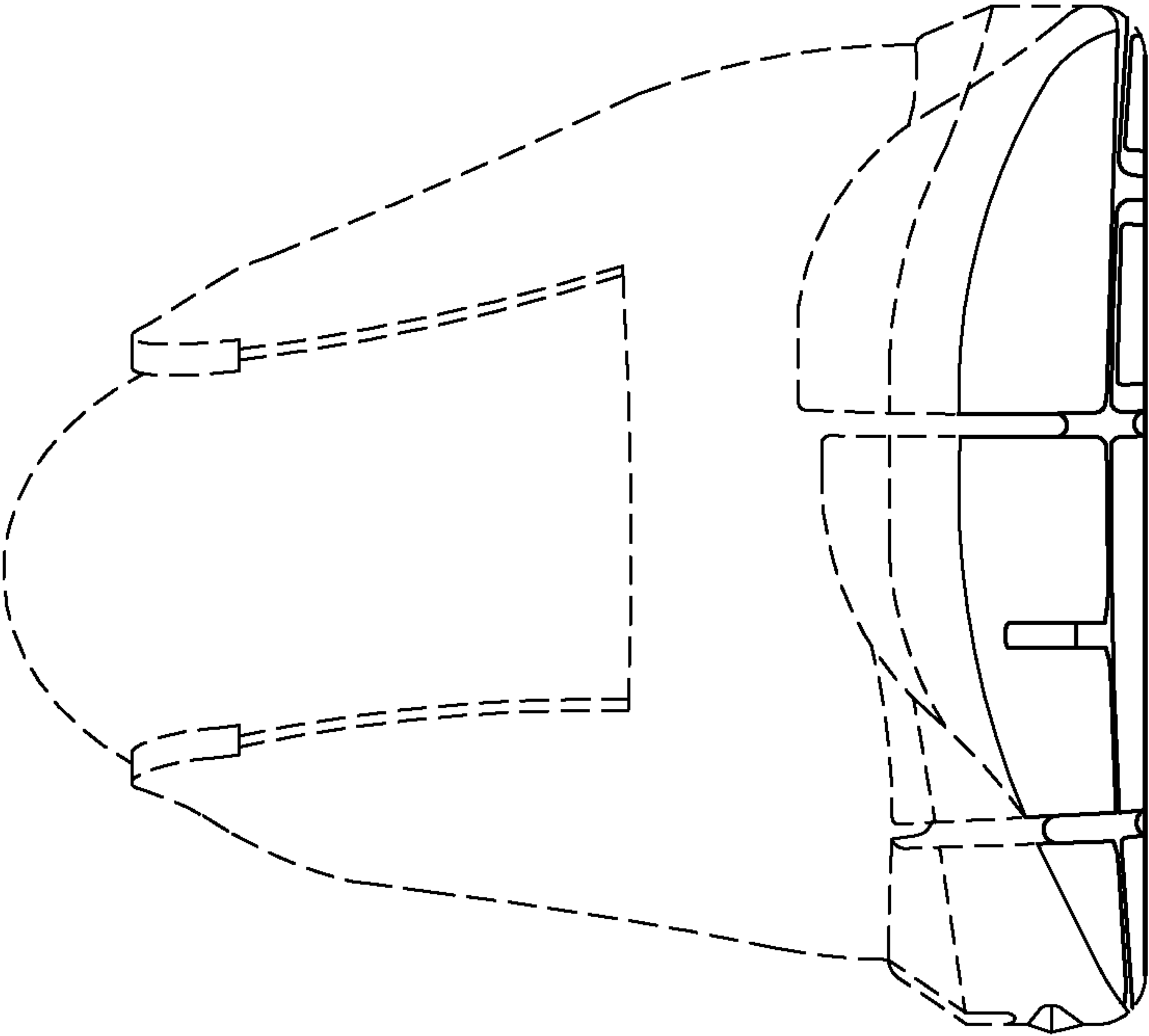
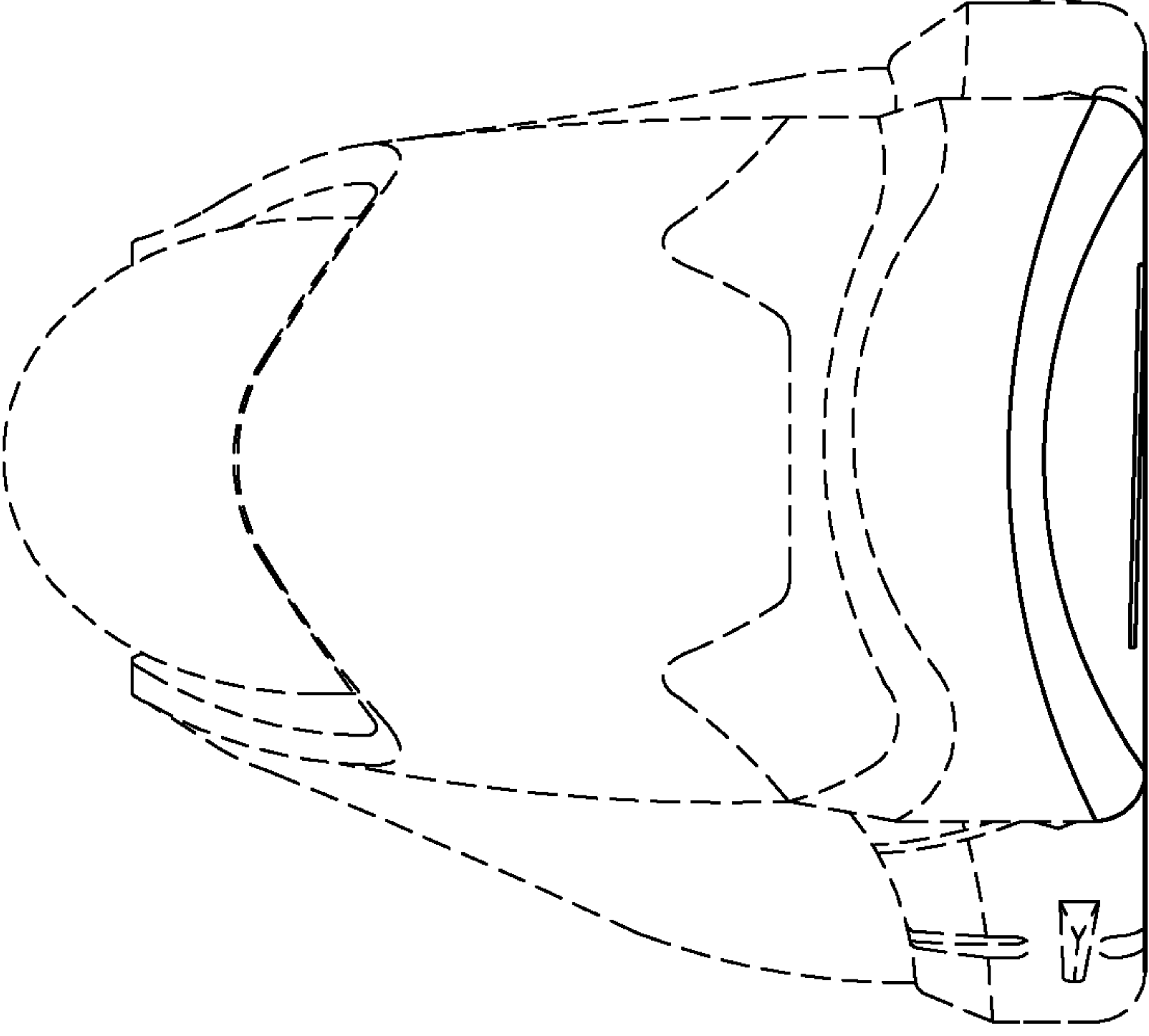


FIG. 5



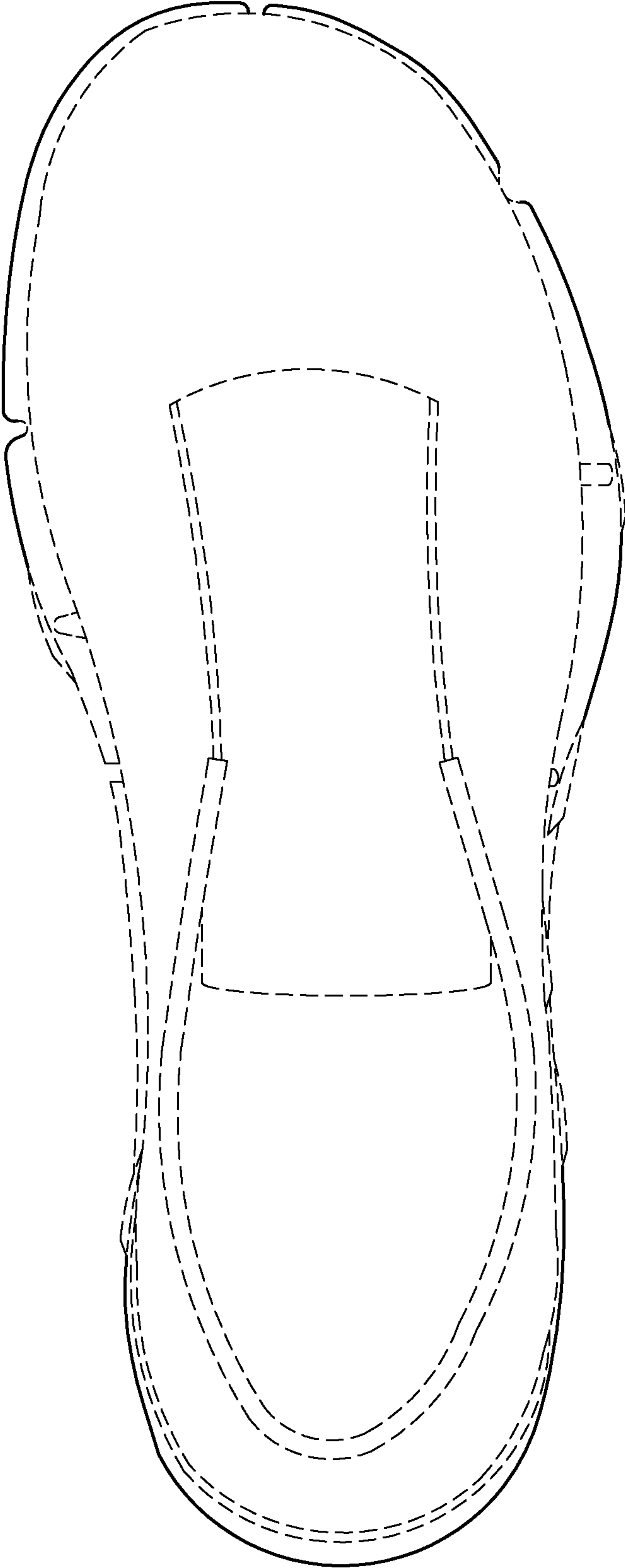


FIG. 7