



US00D679898S

(12) **United States Design Patent**
McBurney

(10) **Patent No.:** **US D679,898 S**

(45) **Date of Patent:** **** Apr. 16, 2013**

(54) **SANDAL**

(71) Applicant: **Ignacio McBurney**, Vancouver (CA)

(72) Inventor: **Ignacio McBurney**, Vancouver (CA)

(**) Term: **14 Years**

(21) Appl. No.: **29/435,553**

(22) Filed: **Oct. 25, 2012**

(51) **LOC (9) Cl.** **02-04**

(52) **U.S. Cl.**
USPC **D2/917**

(58) **Field of Classification Search** D02/896,
D02/900, 916–918, 943, 946, 957, 969; 36/45,
36/11.5, 90, 101, 3 A, 50.1, 7.5, 9 R, 43;
428/52; 2/158, 16

See application file for complete search history.

(56) **References Cited**

U.S. PATENT DOCUMENTS

4,493,865	A *	1/1985	Kuhlmann et al.	428/52
5,511,241	A *	4/1996	Ziegler	2/2.5
6,003,246	A *	12/1999	Pan	36/11.5
6,029,372	A *	2/2000	Pan	36/11.5
D429,555	S *	8/2000	Kelley	D2/961
6,735,885	B2 *	5/2004	Yaw	36/11.5
D576,388	S *	9/2008	del Biondi et al.	D2/916
D576,389	S *	9/2008	del Biondi et al.	D2/916
D596,833	S *	7/2009	Dominquez et al.	D2/917

D599,089	S *	9/2009	Liow	D2/917
D619,341	S *	7/2010	Fu	D2/917
D651,383	S *	1/2012	Nakai	D2/917

* cited by examiner

Primary Examiner — Robert M Spear

Assistant Examiner — Rashida C McCoy

(74) *Attorney, Agent, or Firm* — IProperty Inc.; Gina M. Lupino

(57) **CLAIM**

The ornamental design for a sandal, as shown and described.

DESCRIPTION

FIG. 1 is a front perspective view of a sandal according to the present invention illustrating the front, top, and right side views of the sandal.

FIG. 2 is a top view of the sandal of FIG. 1.

FIG. 3 is a bottom view of the sandal of FIG. 1.

FIG. 4 is a right side view of the sandal of FIG. 1.

FIG. 5 is a left side view of the sandal of FIG. 1.

FIG. 6 is a front view of the sandal of FIG. 1.

FIG. 7 is a rear view of the sandal of FIG. 1.

FIG. 8 is a front perspective view of a sandal of an alternate embodiment illustrating the front, top, and right side views of the sandal.

FIG. 9 is a top view of the sandal of FIG. 8.

FIG. 10 is a bottom view of the sandal of FIG. 8.

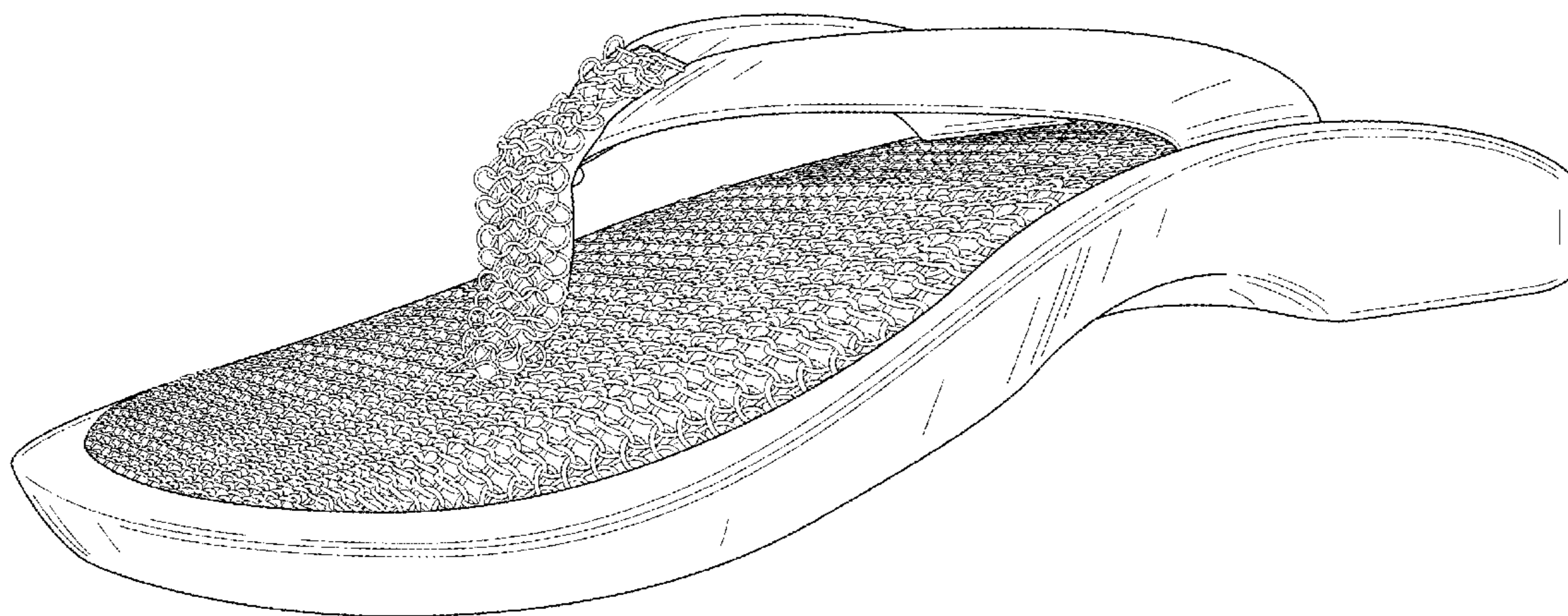
FIG. 11 is a right side view of the sandal of FIG. 8.

FIG. 12 is a left side view of the sandal of FIG. 8.

FIG. 13 is a front view of the sandal of FIG. 8; and,

FIG. 14 is a rear view of the sandal of FIG. 8.

1 Claim, 14 Drawing Sheets



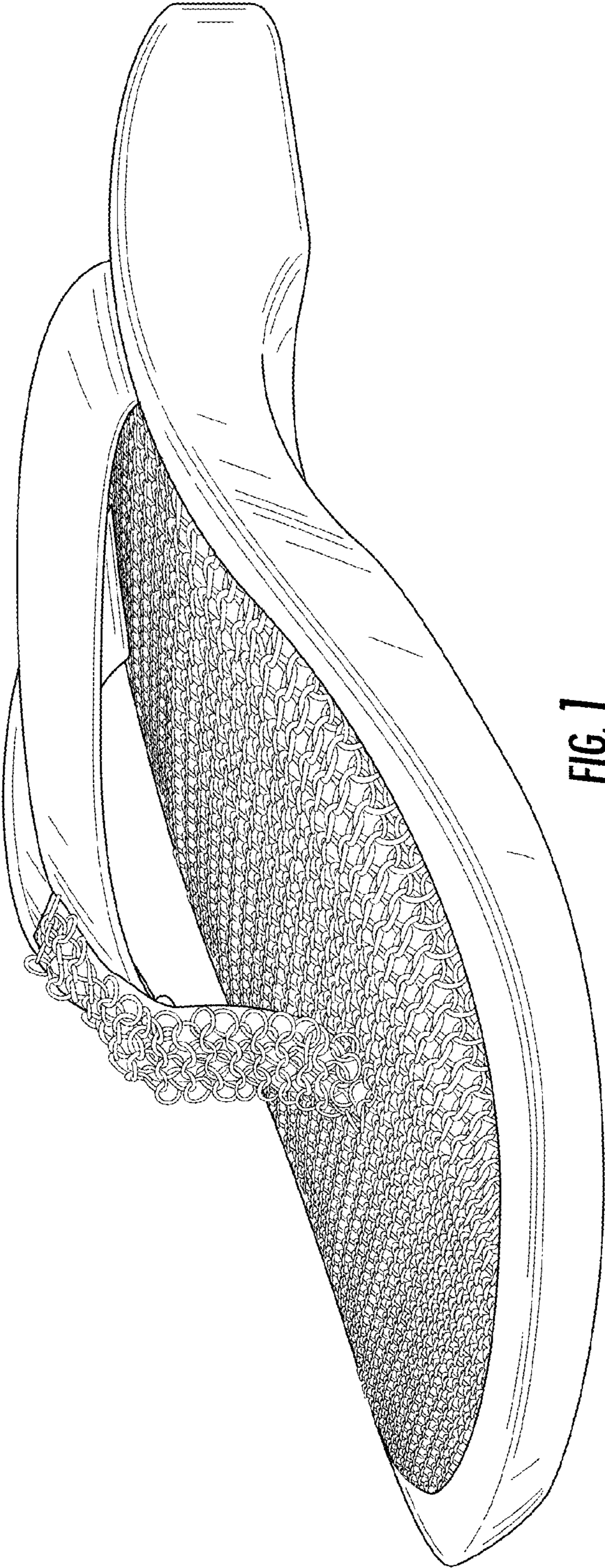


FIG. 1

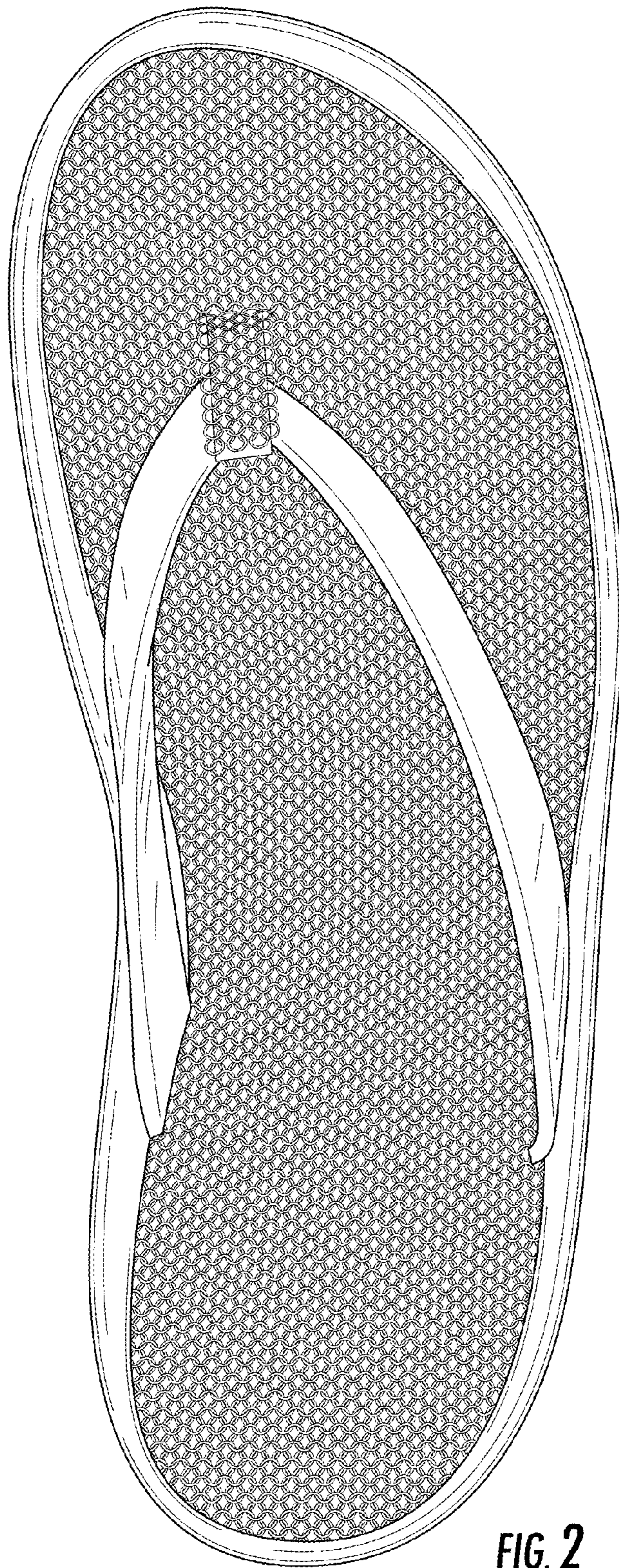


FIG. 2

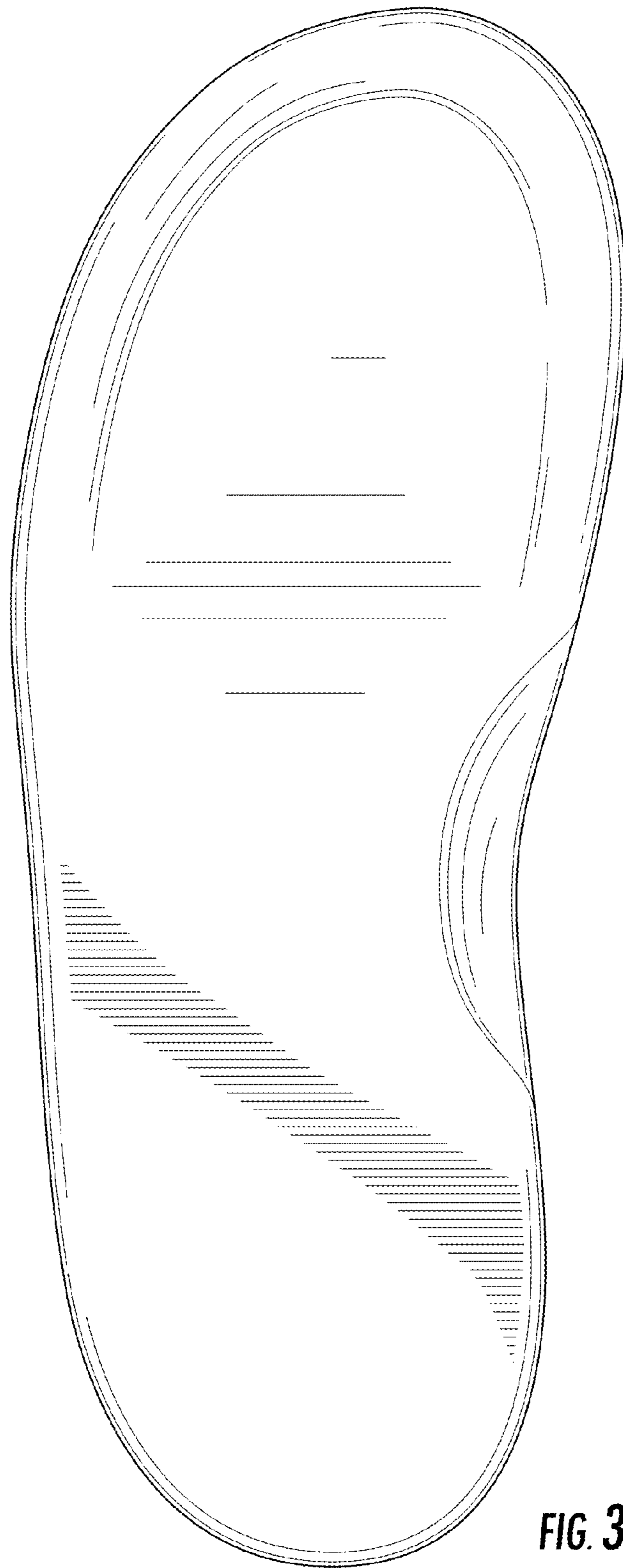


FIG. 3

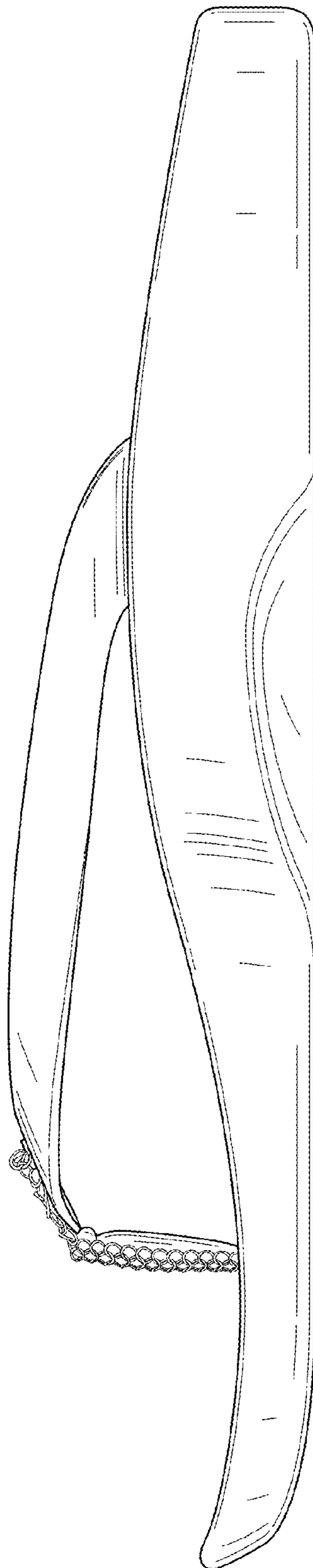


FIG. 4

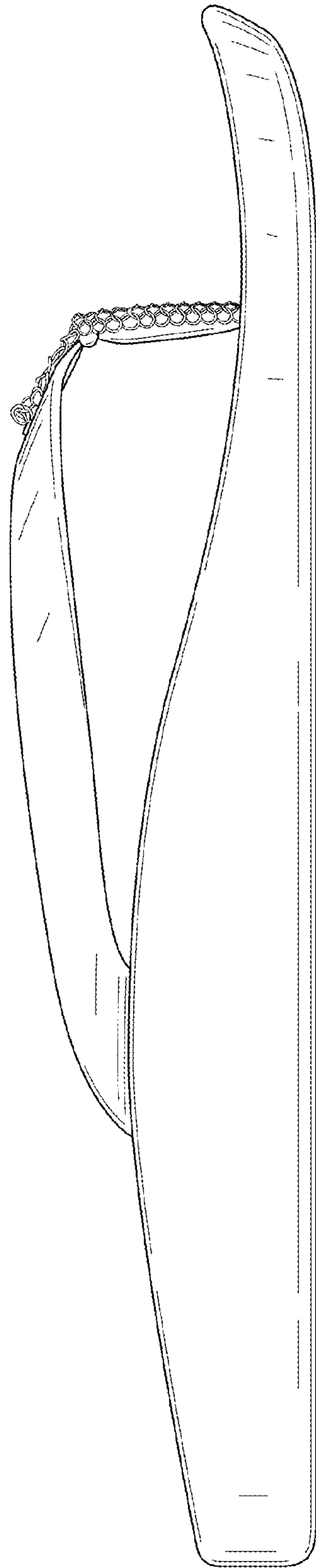


FIG. 5

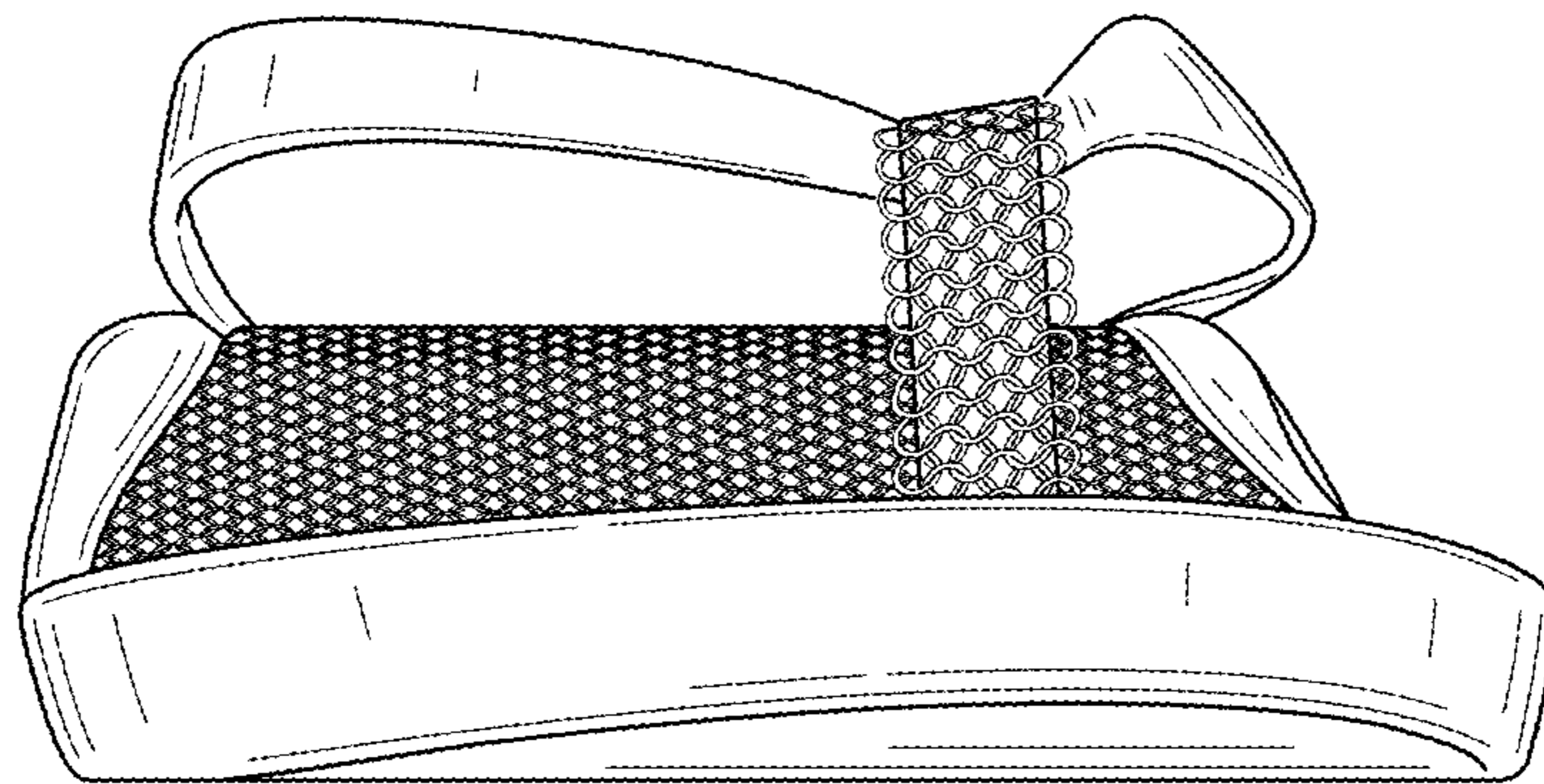


FIG. 6

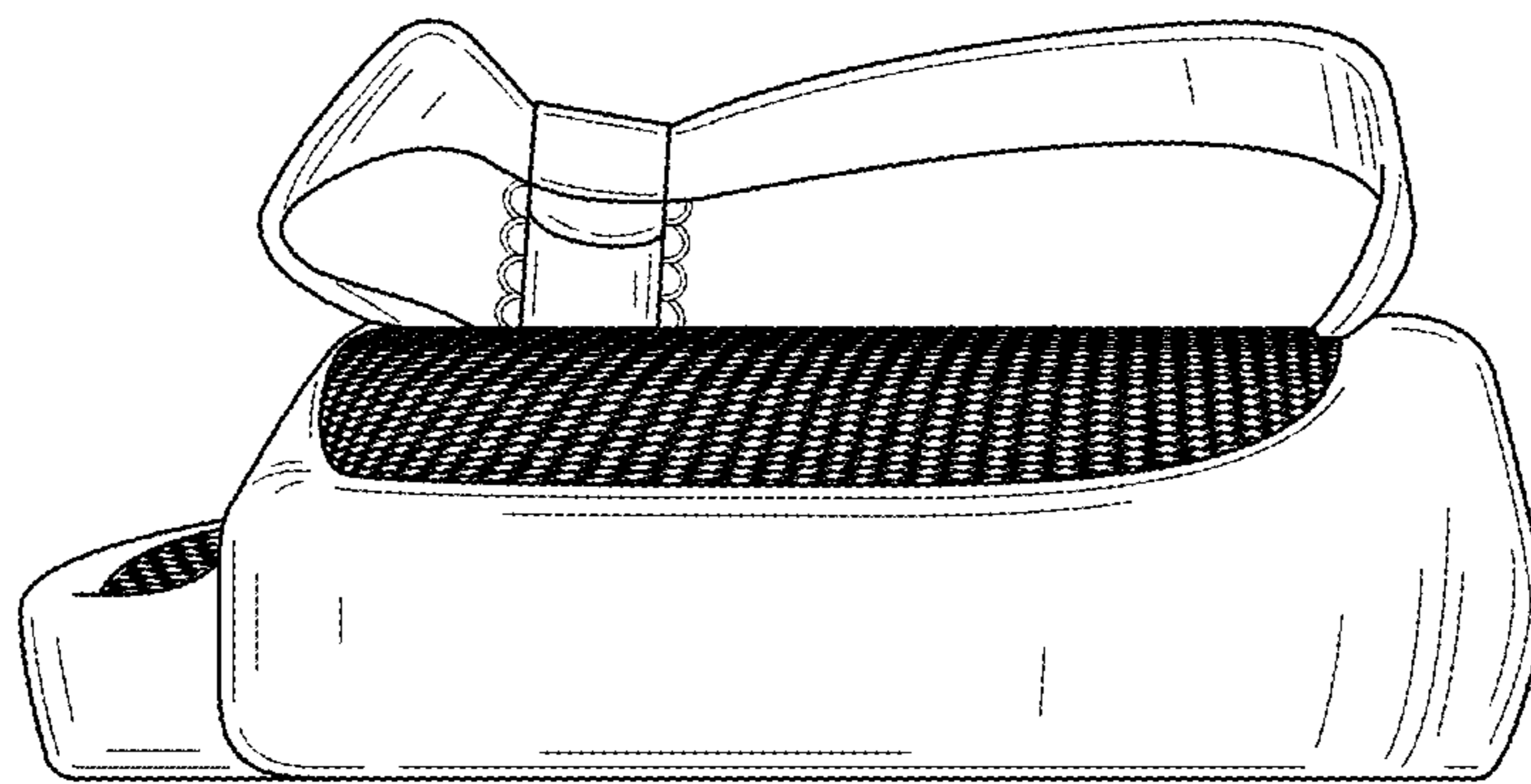


FIG. 7

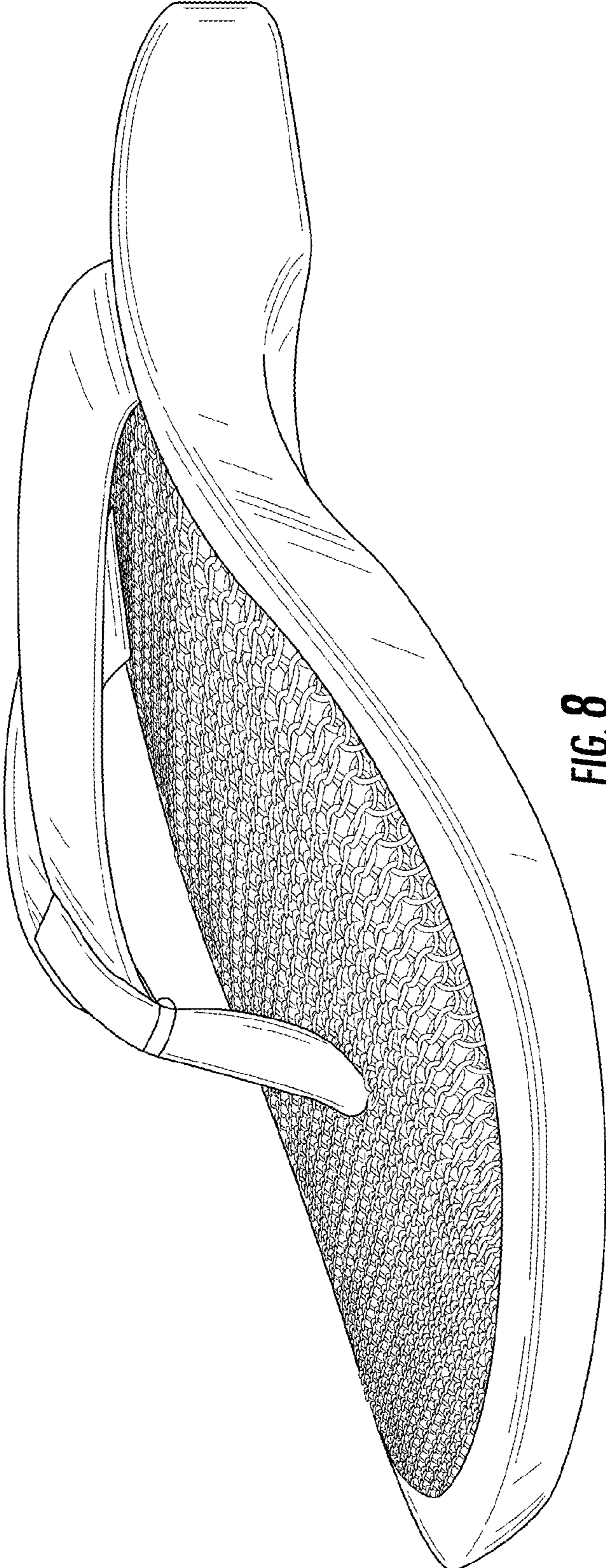


FIG. 8

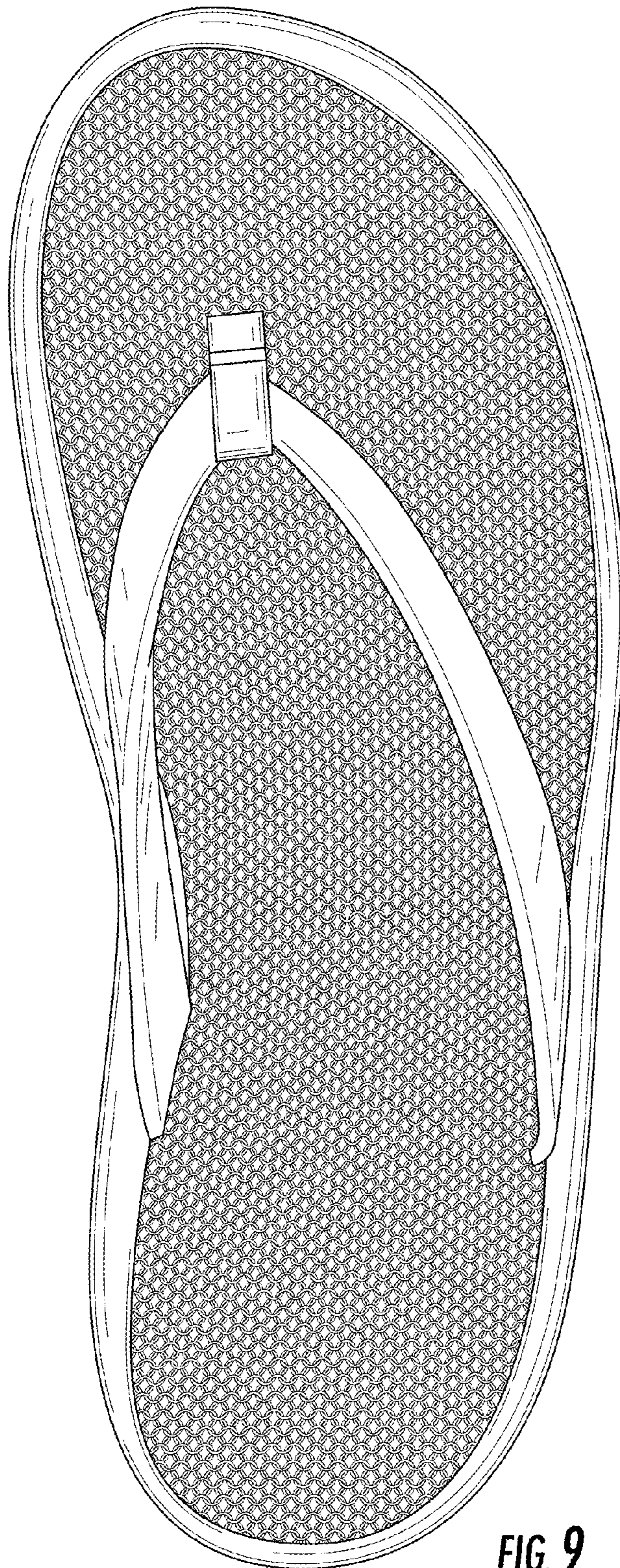


FIG. 9

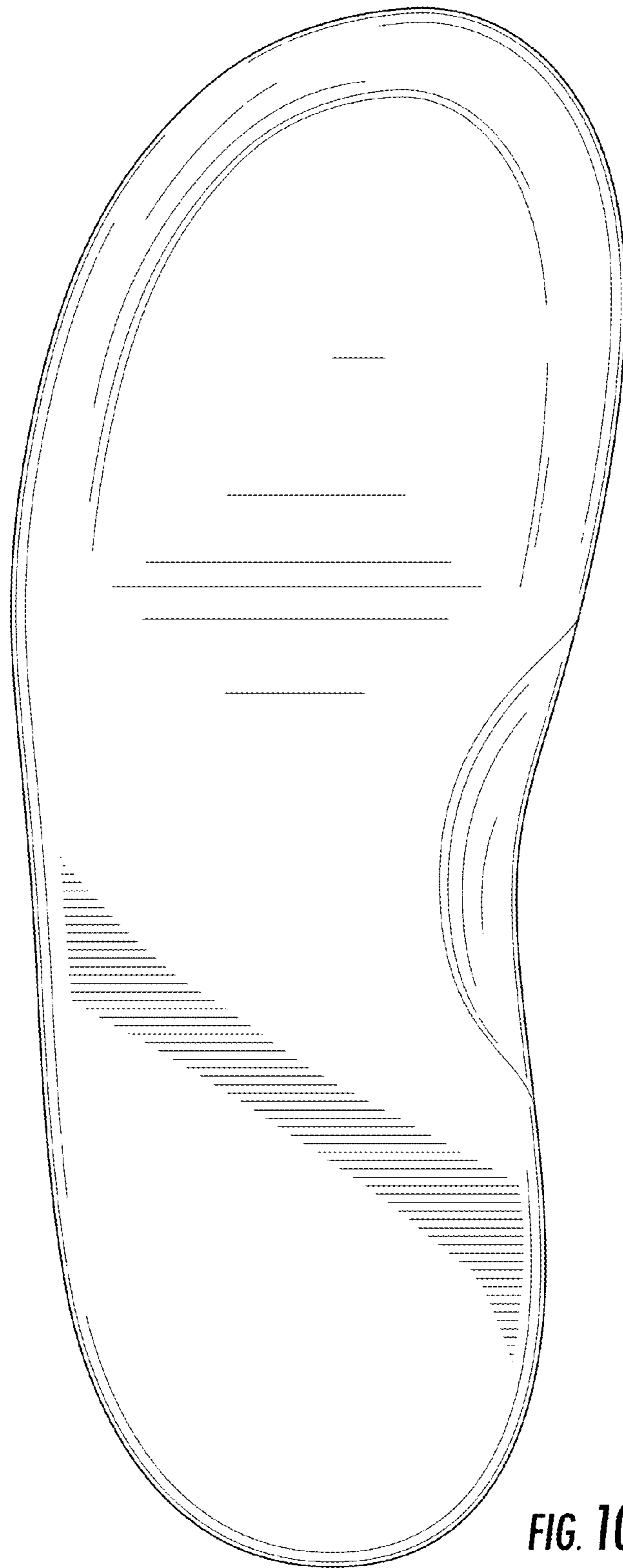


FIG. 10

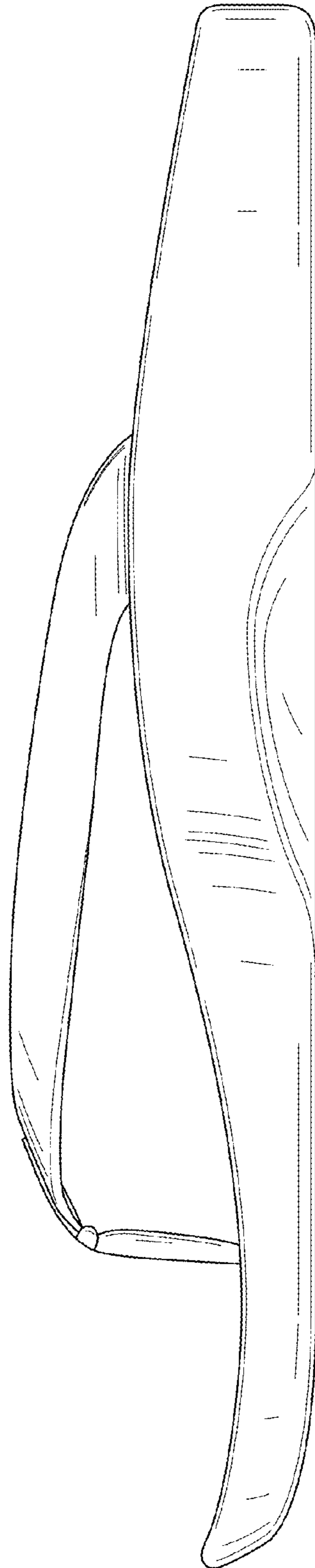


FIG. 11

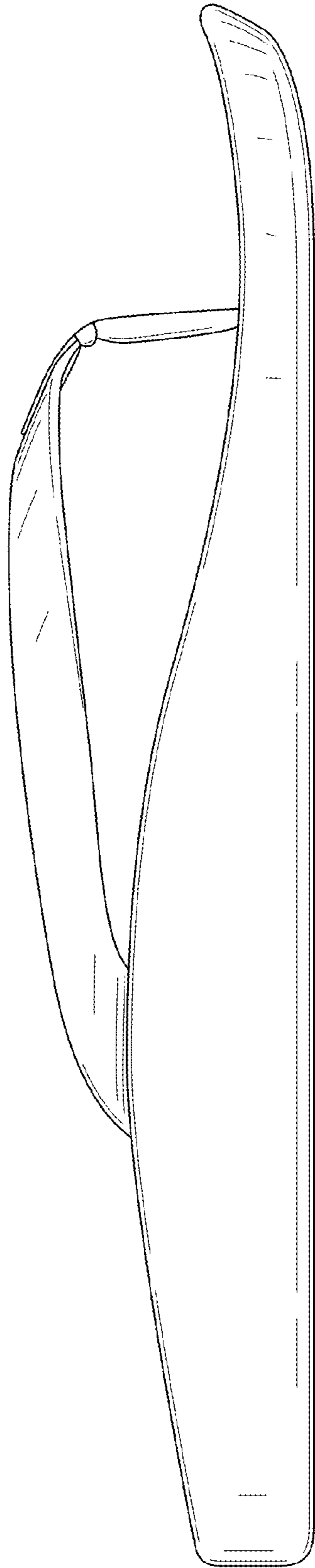


FIG. 12

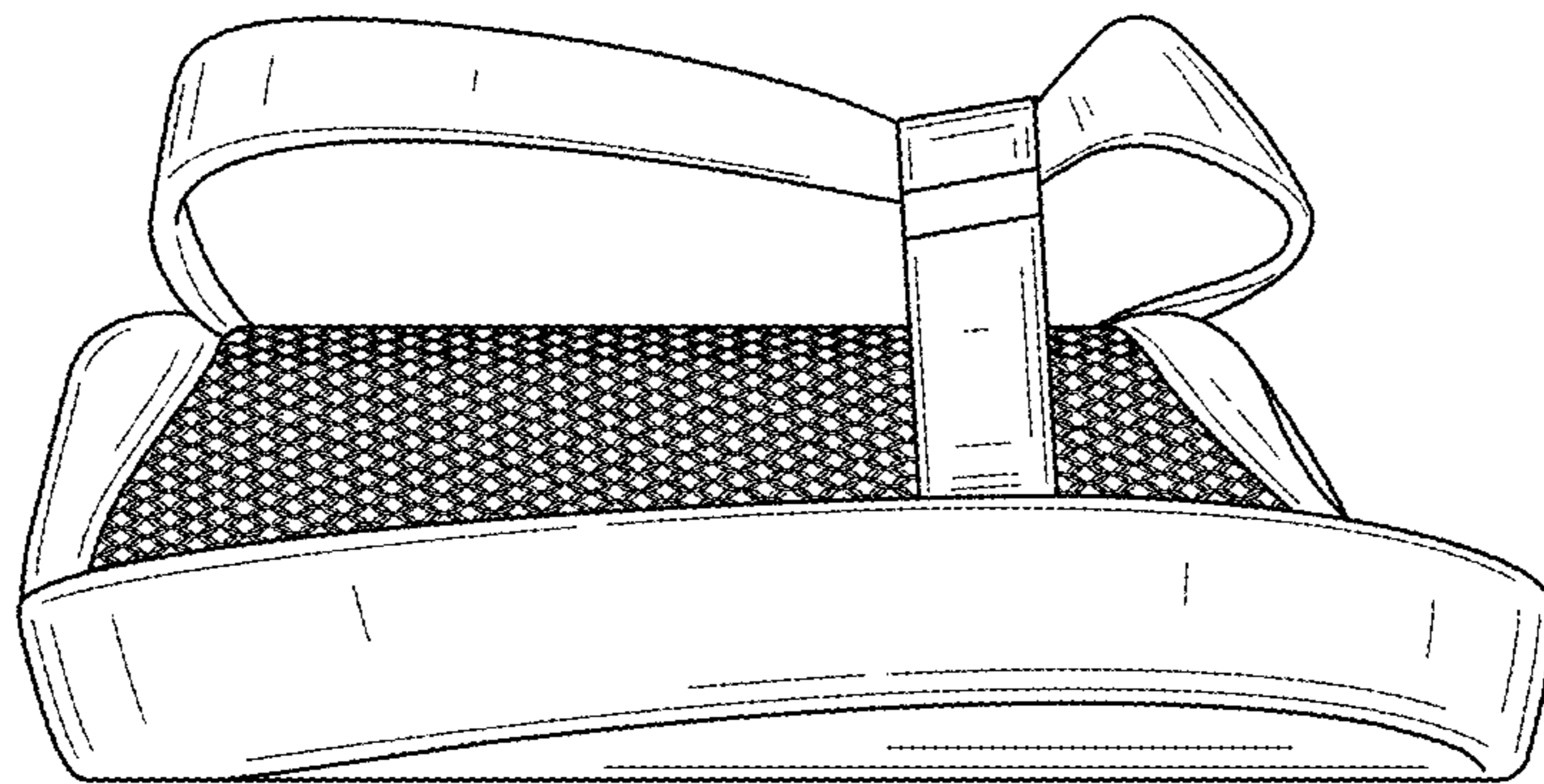


FIG. 13

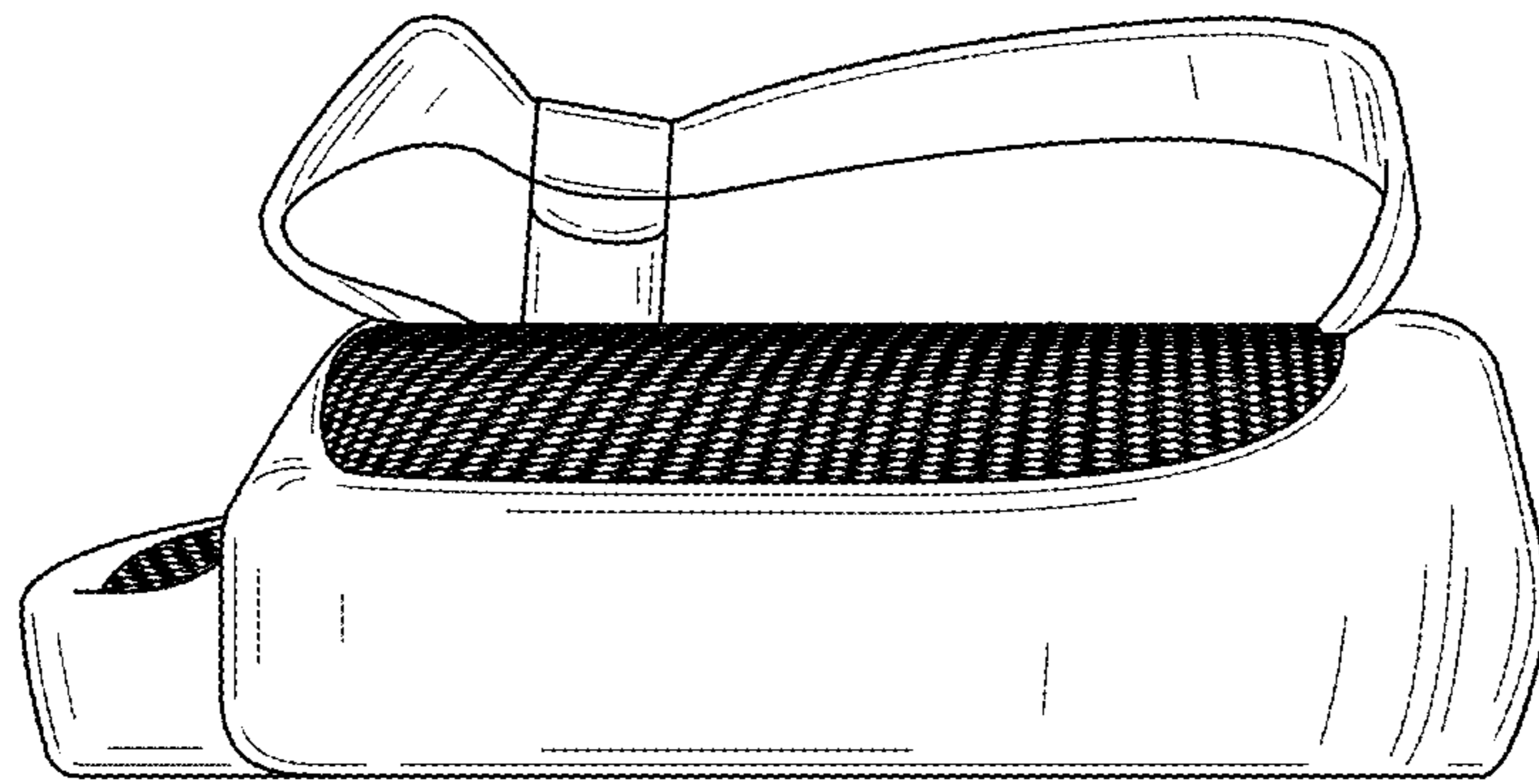


FIG. 14