

US00D679884S

(12) **United States Design Patent**
Heijns

(10) **Patent No.:** **US D679,884 S**

(45) **Date of Patent:** **** Apr. 9, 2013**

(54) **MOBILITY SUPPORT DEVICE**

(76) Inventor: **Willem Heijns**, Kinderdijk (NL)

(**) Term: **14 Years**

(21) Appl. No.: **29/415,618**

(22) Filed: **Mar. 13, 2012**

(30) **Foreign Application Priority Data**

Sep. 21, 2011 (WO) DM/077 006

(51) **LOC (9) Cl.** **12-05**

(52) **U.S. Cl.** **D34/35; D34/28**

(58) **Field of Classification Search** D34/28,
D34/35; D12/128, 133; 180/907; 280/304.1;
187/200, 901, 201; 414/785, 539, 540, 541,
414/678, 921; 5/81.1 R, 89.1, 87.1, 600,
5/83.1, 86.1; D24/183

See application file for complete search history.

(56) **References Cited**

U.S. PATENT DOCUMENTS

5,230,405	A *	7/1993	Bartelt	187/201
D365,907	S *	1/1996	Mishler	D34/28
5,533,594	A *	7/1996	Tremblay et al.	187/201
6,176,335	B1 *	1/2001	Schaffner et al.	180/65.1
6,332,512	B1 *	12/2001	Muranaka	187/201
6,378,659	B1 *	4/2002	Krumbeck	187/200

6,712,192	B1 *	3/2004	Hester et al.	198/321
D489,859	S *	5/2004	Yamada	D34/28
7,225,899	B2 *	6/2007	Molnar et al.	187/201
D565,474	S *	4/2008	Webster et al.	D12/128
D647,683	S *	10/2011	Woodhams et al.	D34/35
D648,093	S *	11/2011	Woodhams et al.	D34/35
2005/0224293	A1 *	10/2005	Molnar et al.	187/200
2007/0272488	A1 *	11/2007	Woodhams et al.	187/201

* cited by examiner

Primary Examiner — Cynthia Ramirez

(74) *Attorney, Agent, or Firm* — Gordon & Jacobson, PC

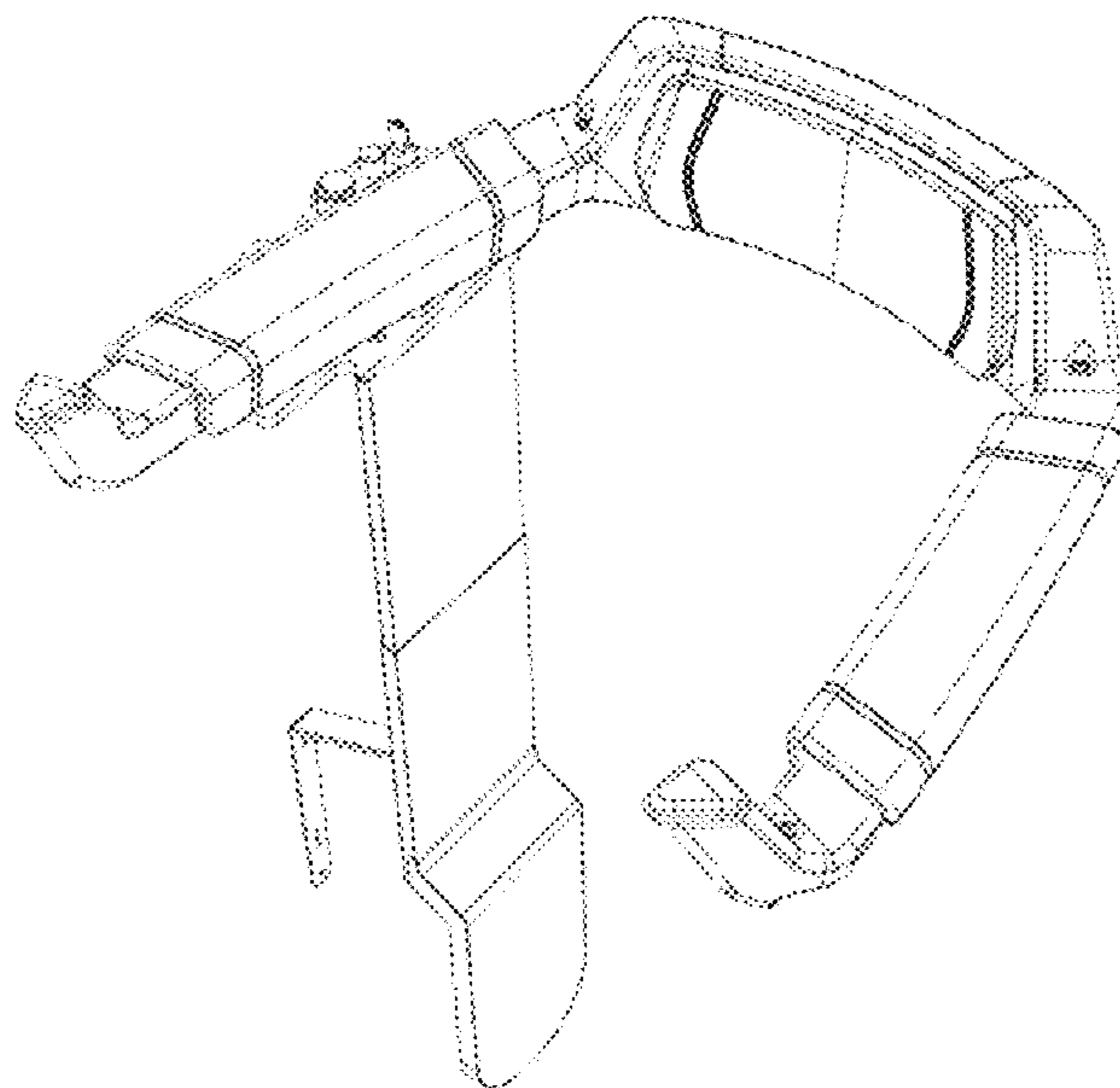
(57) **CLAIM**

The ornamental design for a mobility support device, as shown and described.

DESCRIPTION

- FIG. 1 is a right front perspective view.
- FIG. 2 is a front view.
- FIG. 3 is a left side view.
- FIG. 4 is a right side view.
- FIG. 5 is a back view.
- FIG. 6 is a top view.
- FIG. 7 is a bottom view.
- FIG. 8 is a left front perspective view.
- FIG. 9 is a left rear perspective view.
- FIG. 10 is a top perspective view; and,
- FIG. 11 is a right rear perspective view.

1 Claim, 11 Drawing Sheets



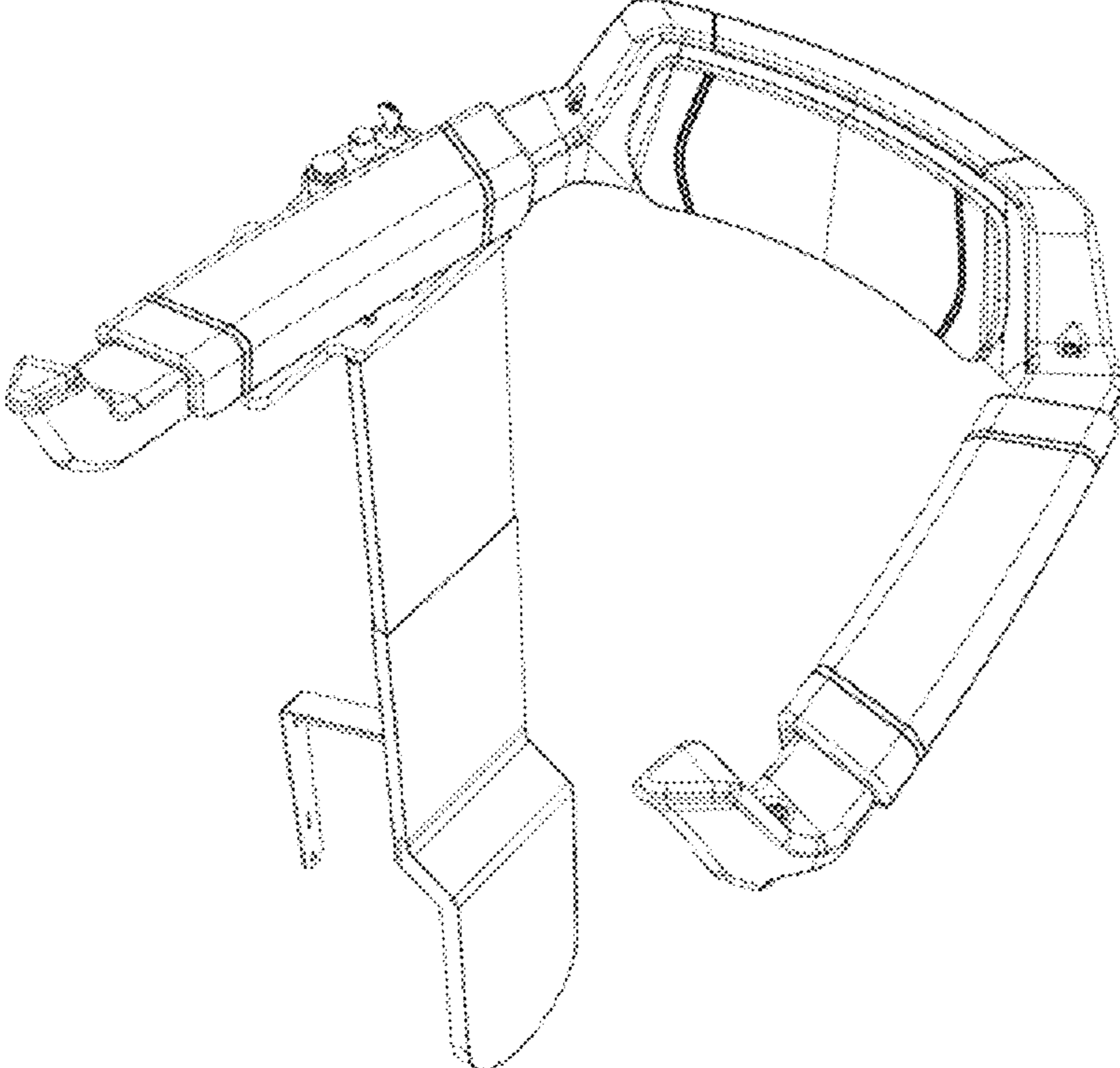


Fig. 1

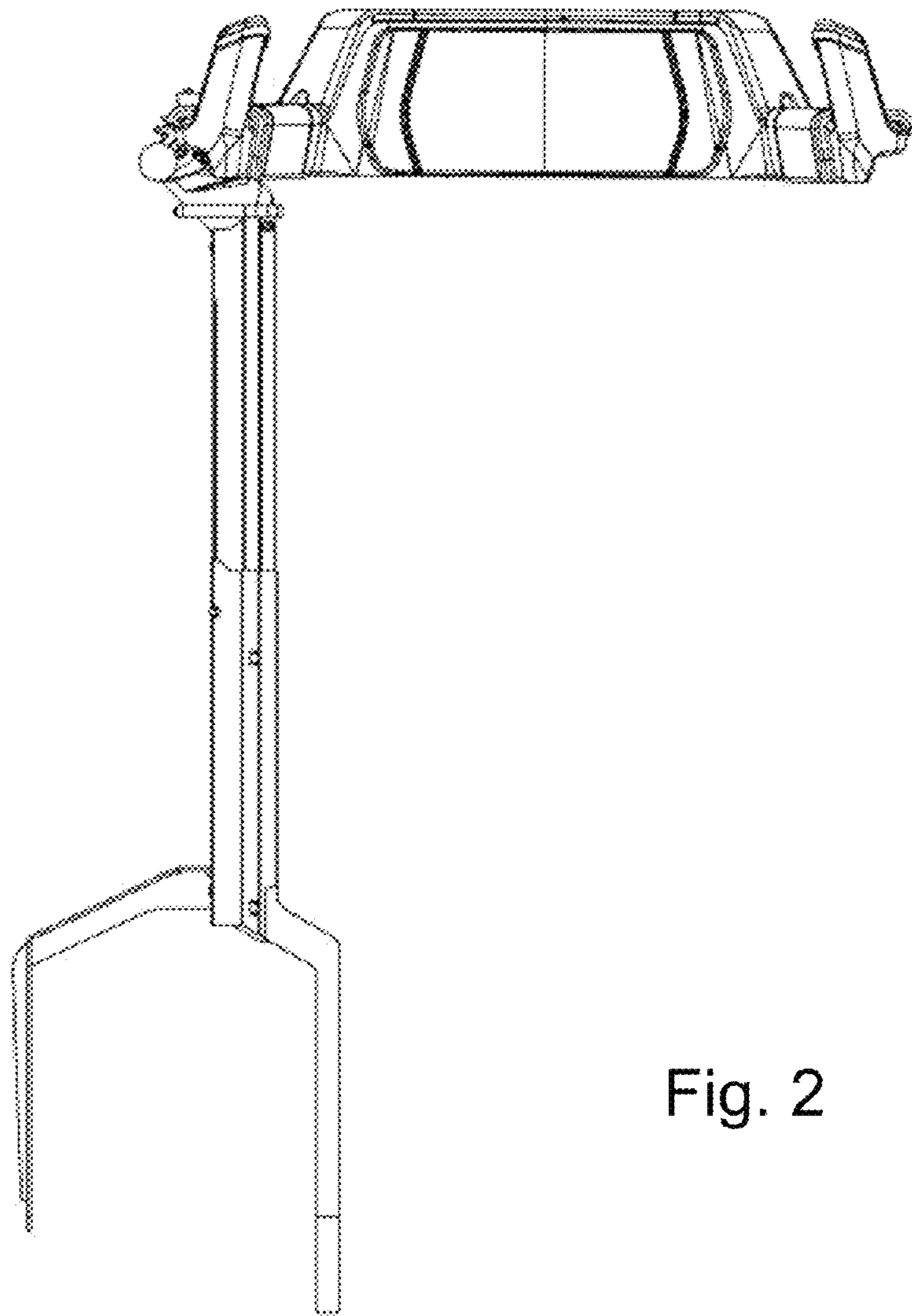


Fig. 2

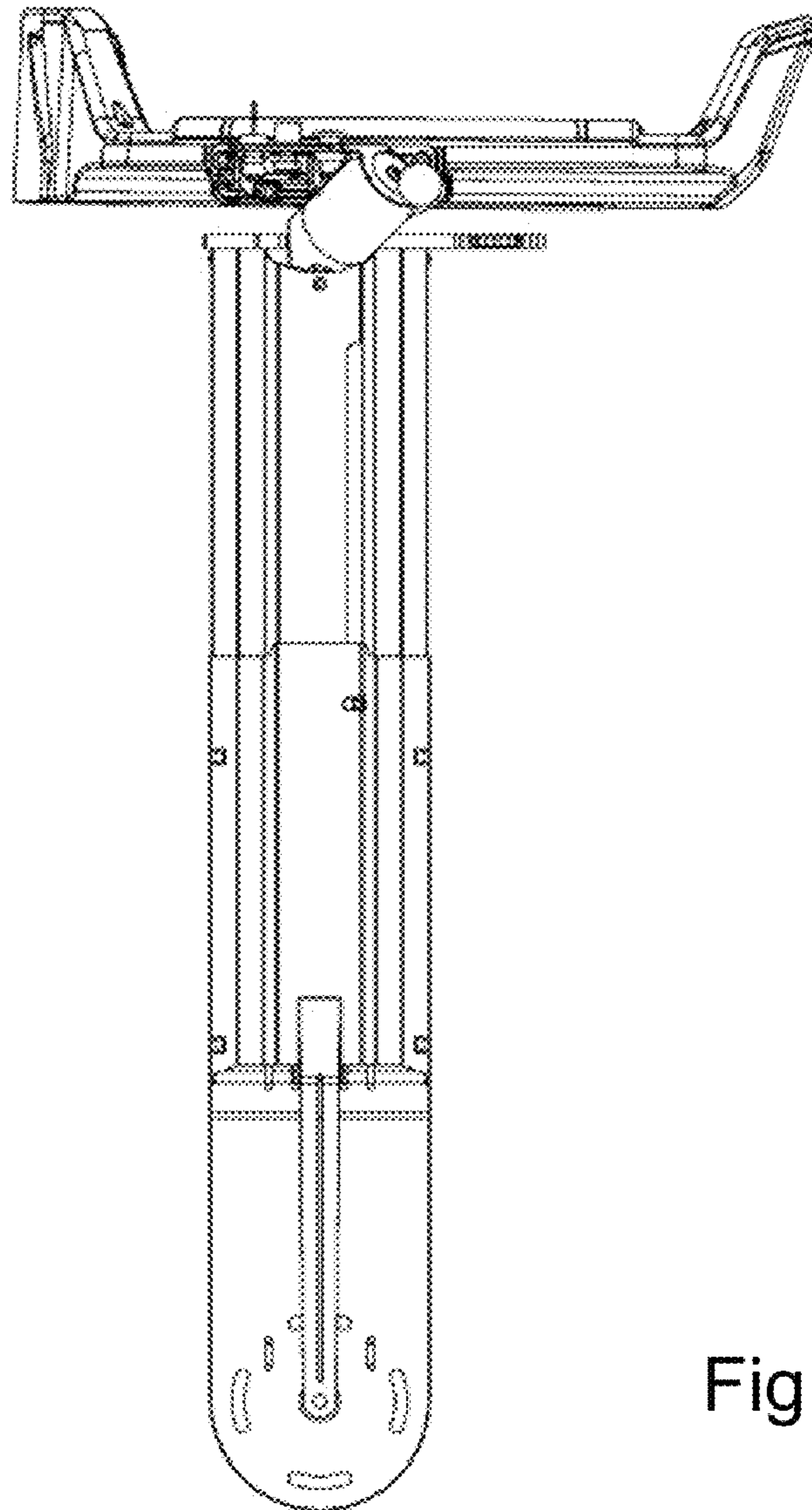


Fig. 3

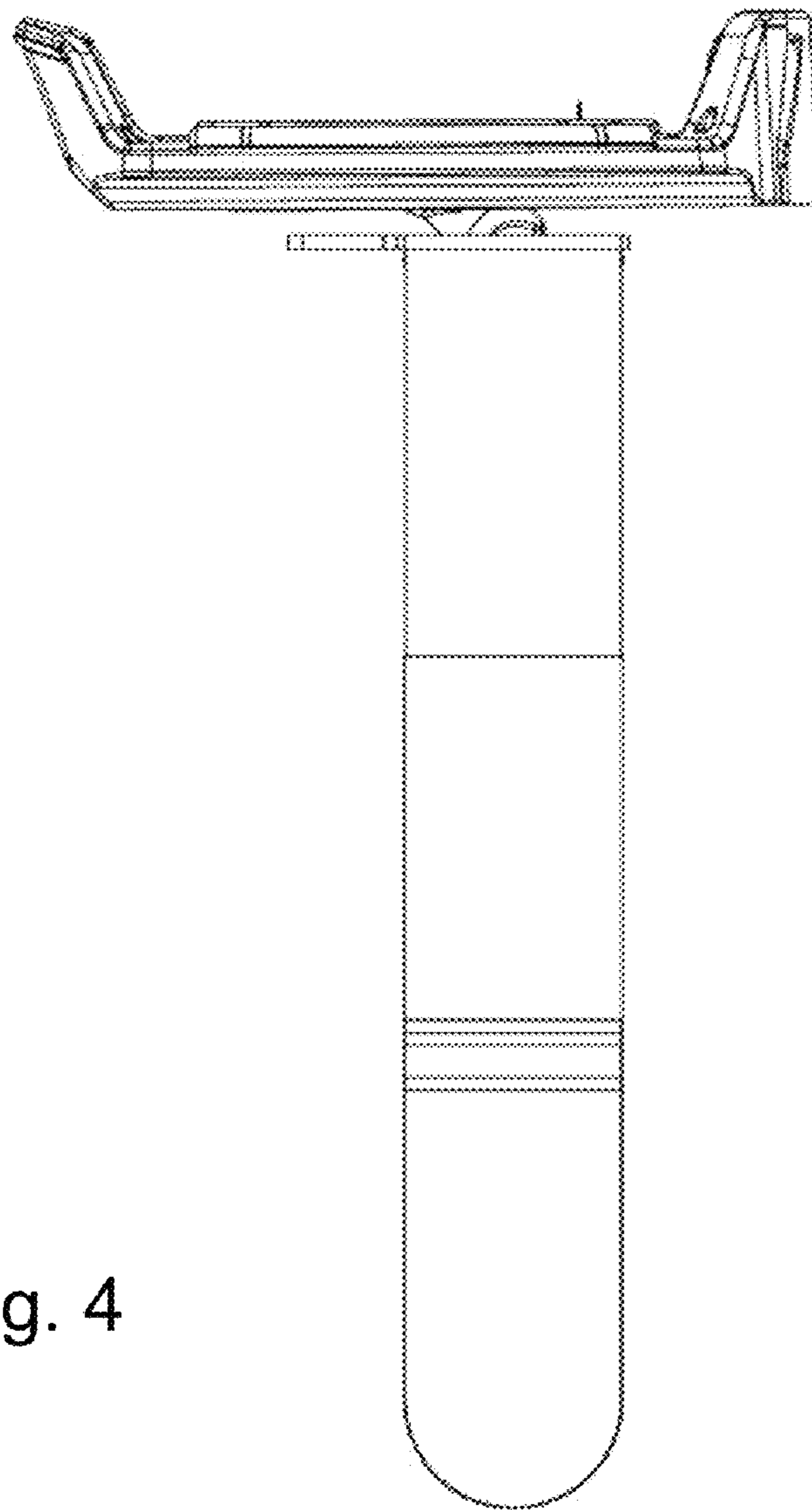


Fig. 4

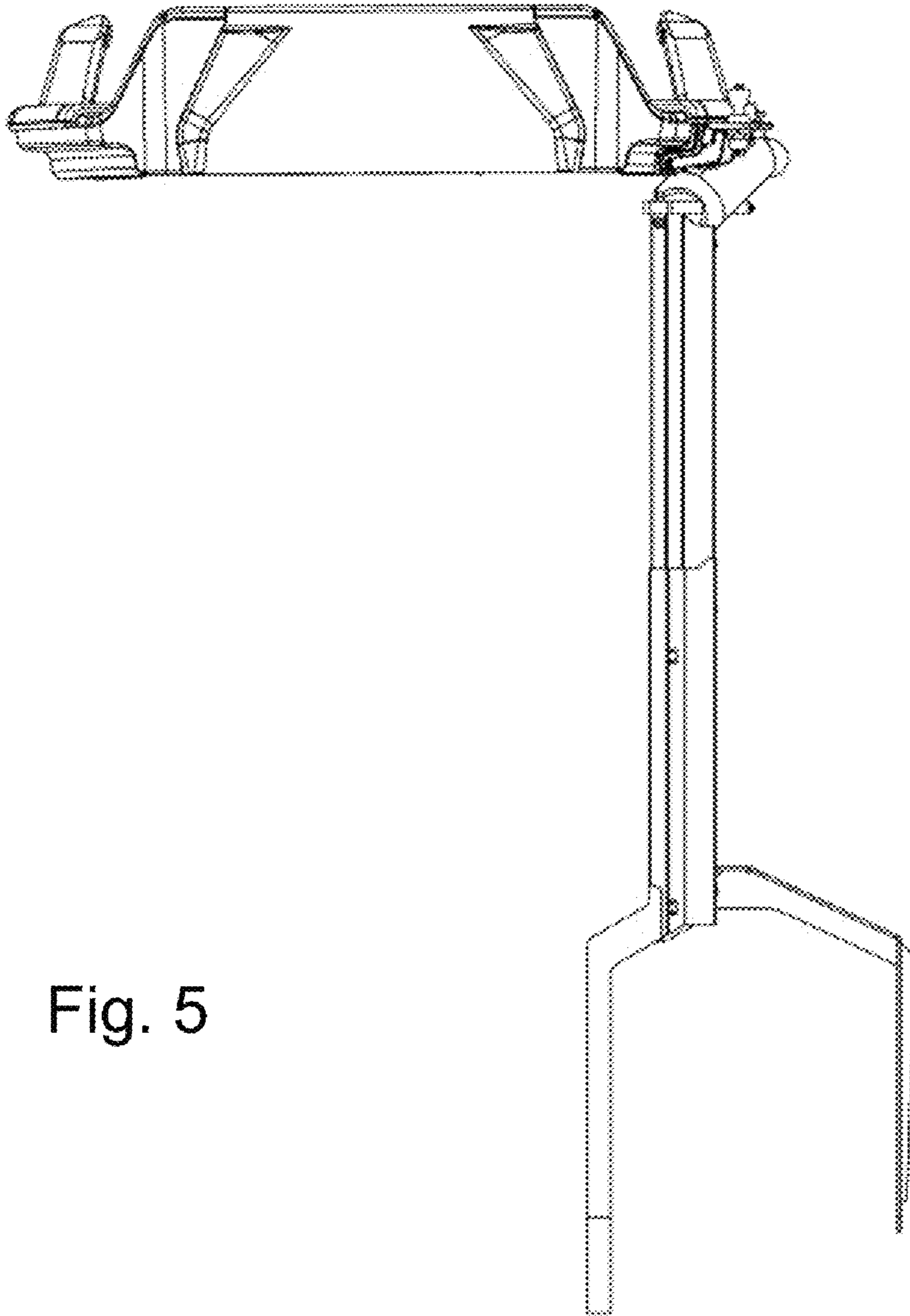


Fig. 5

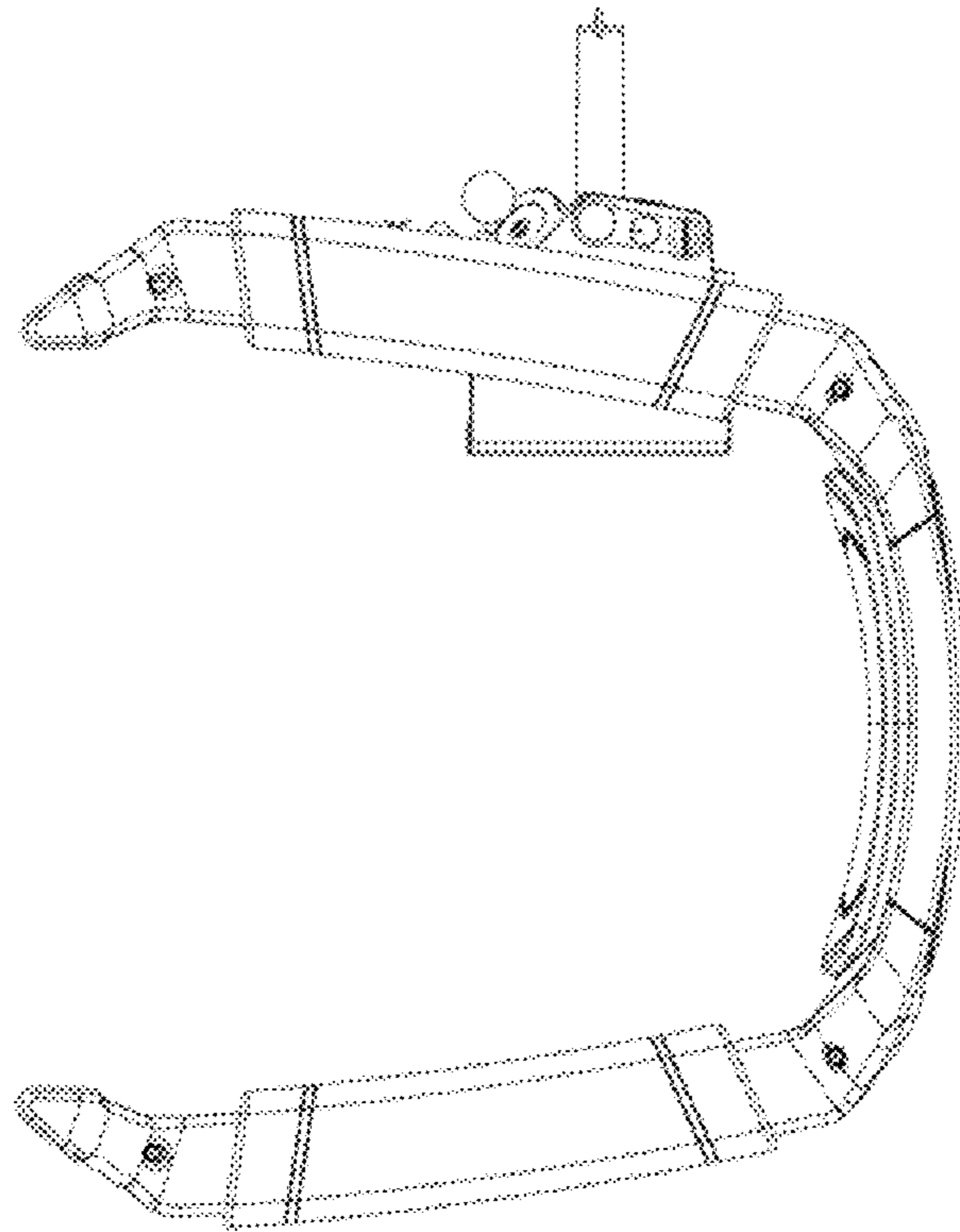


Fig. 6

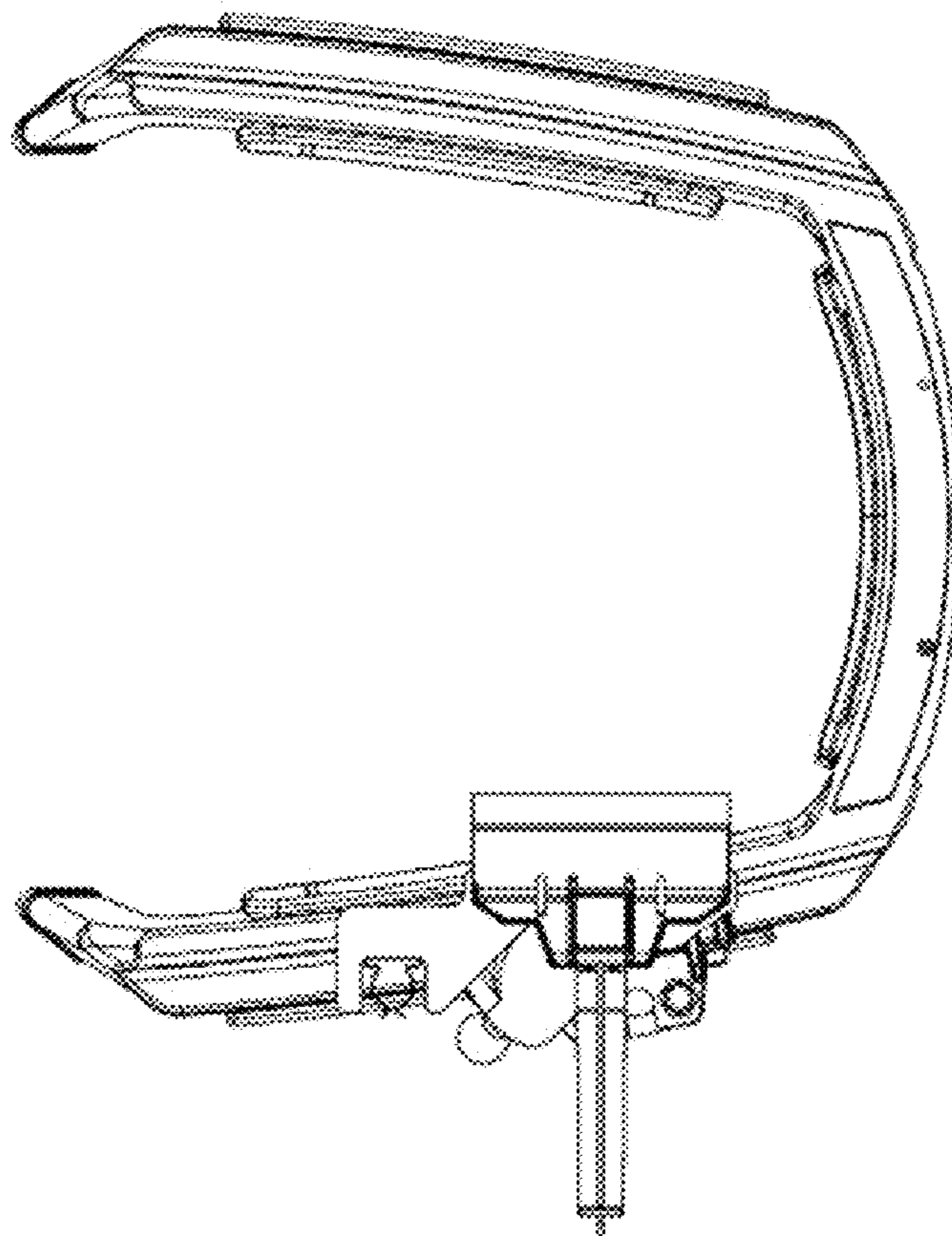


Fig. 7

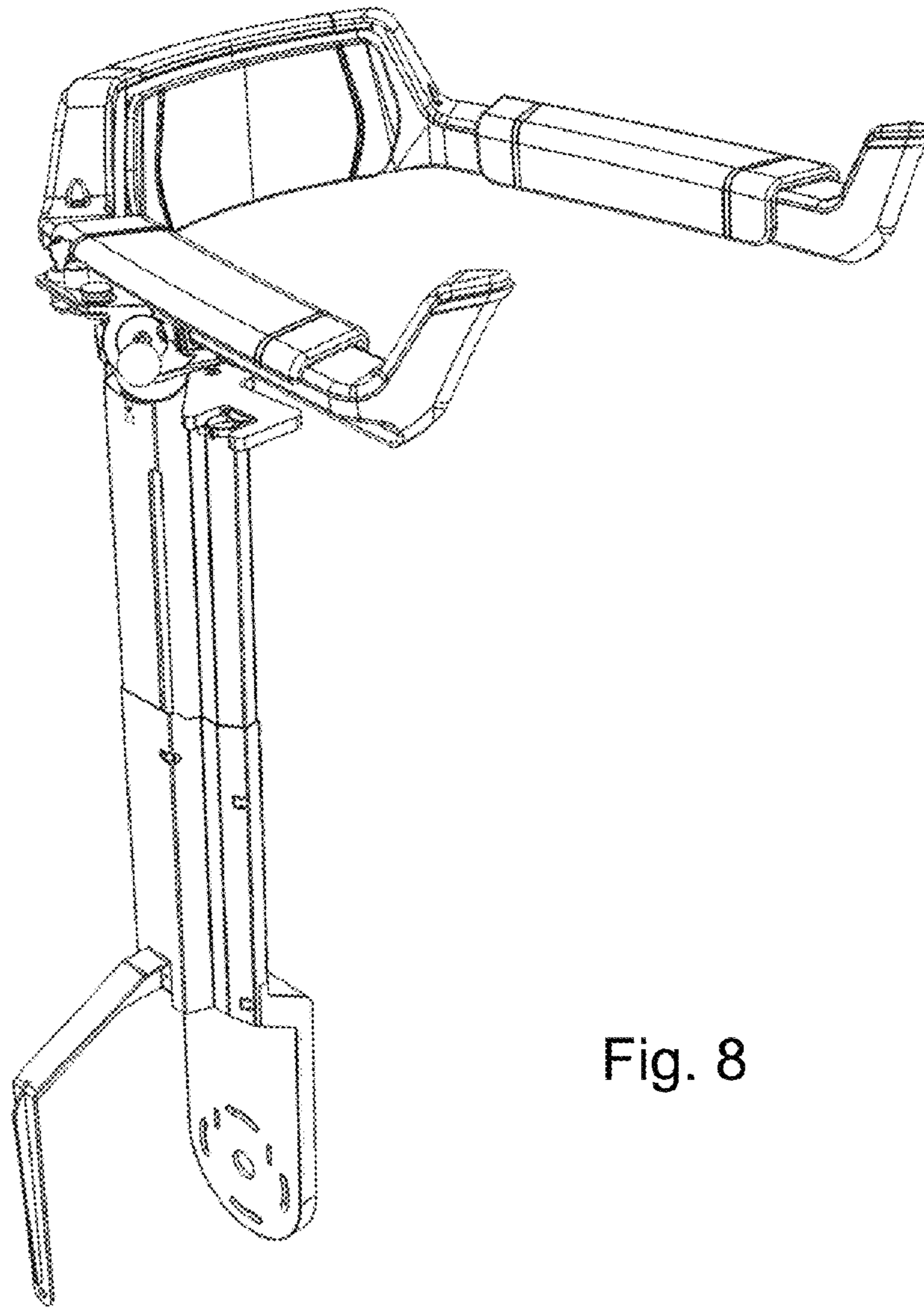


Fig. 8

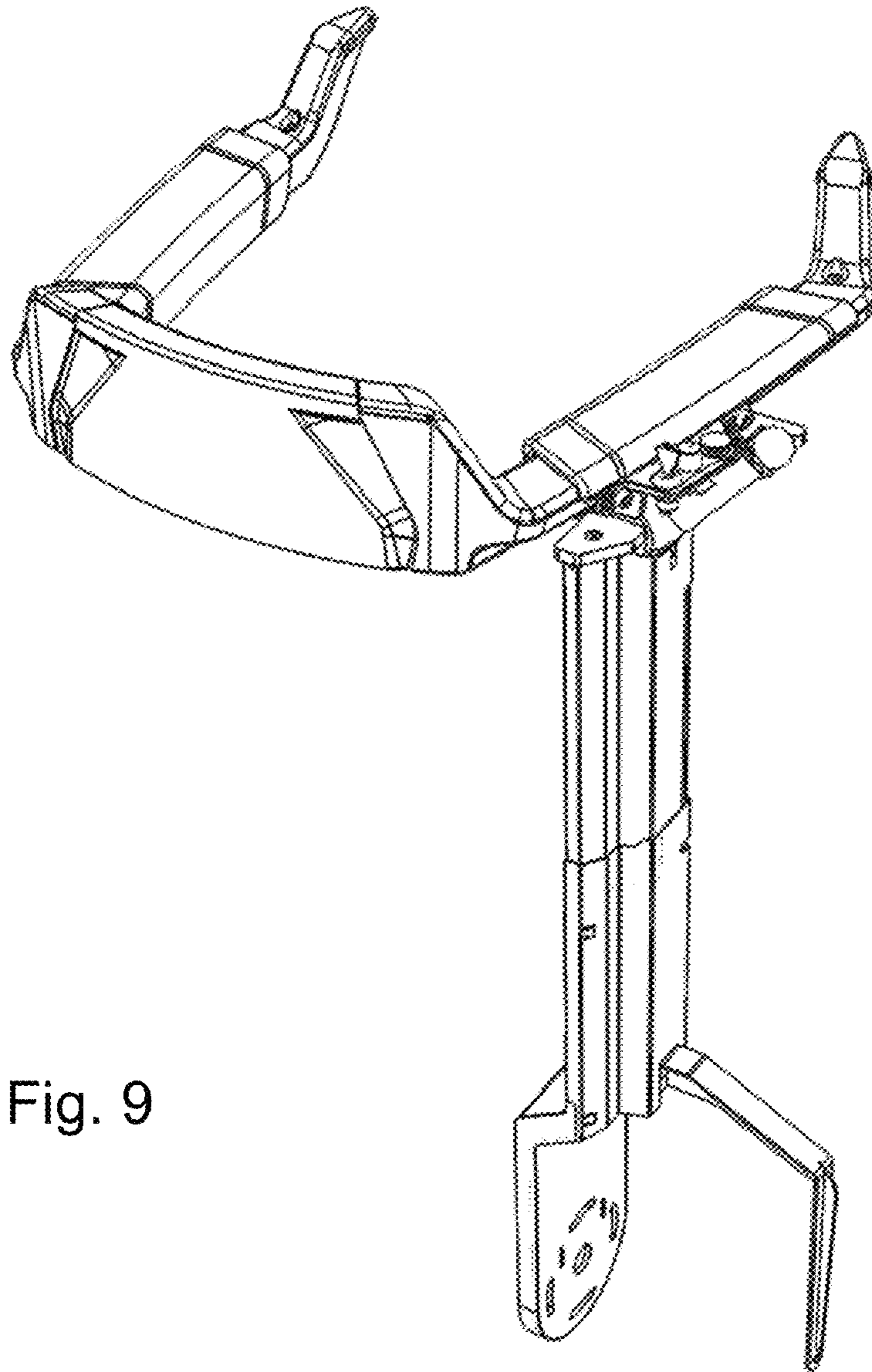


Fig. 9

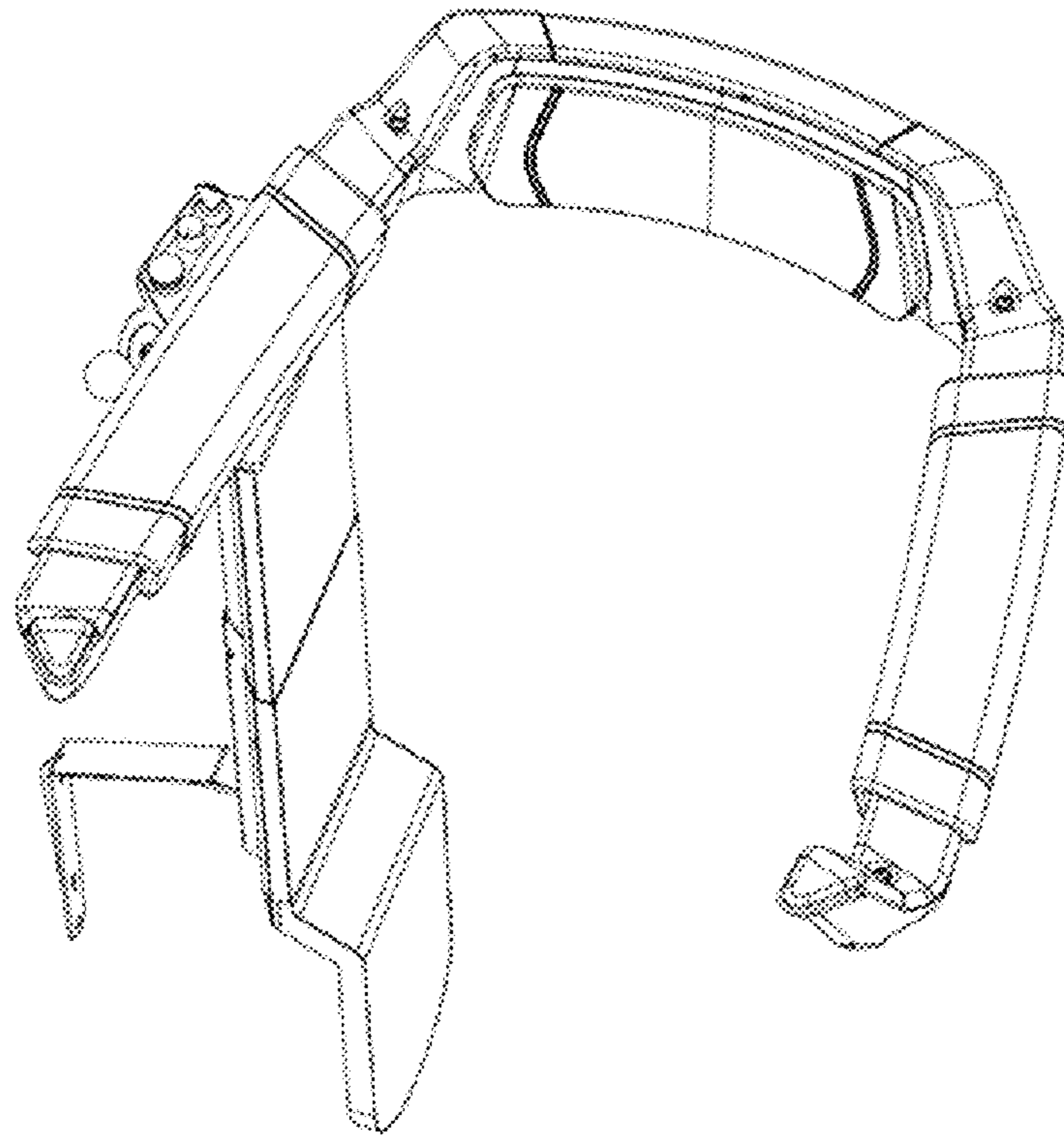


Fig. 10

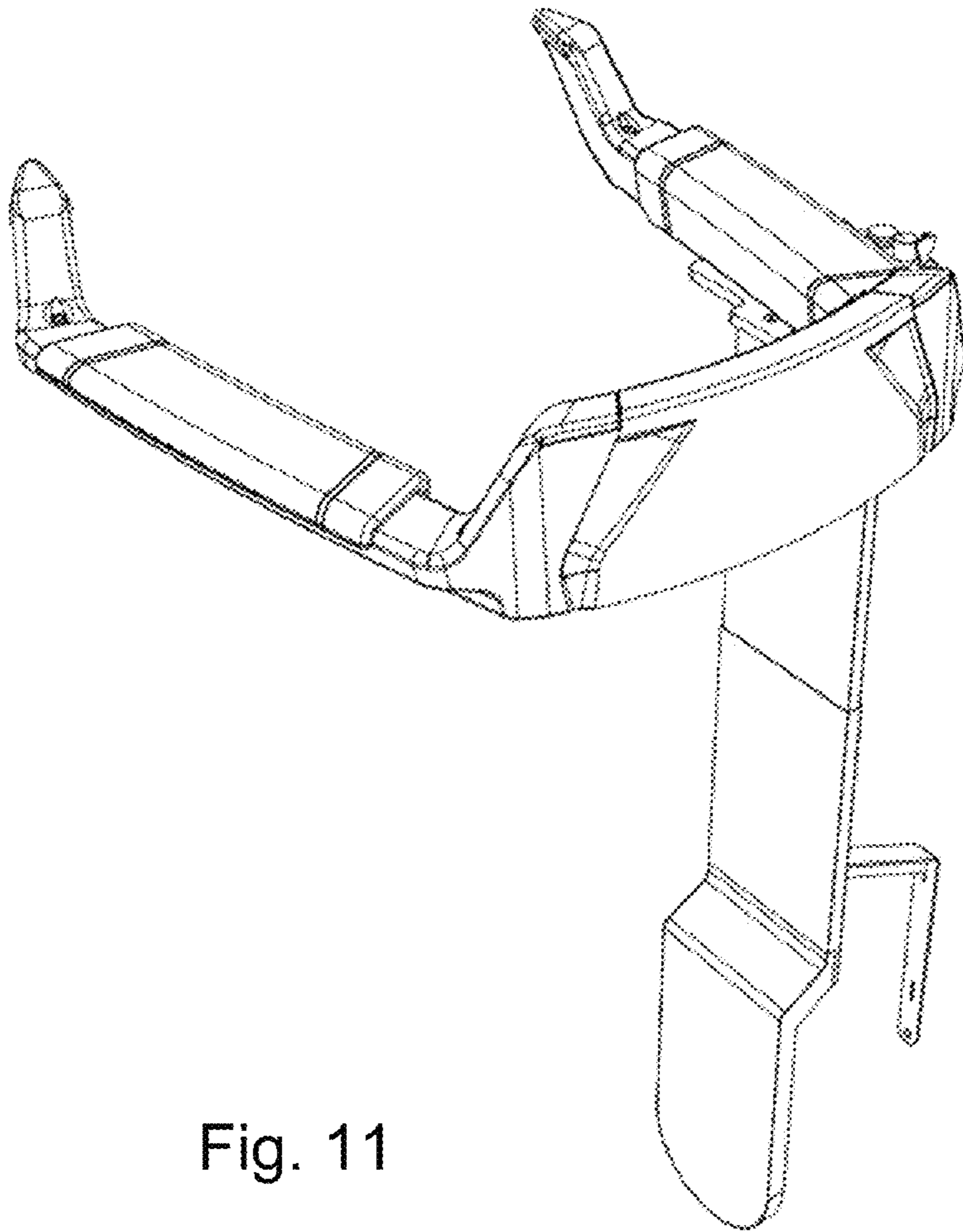


Fig. 11