



US00D679878S

(12) **United States Design Patent**
Chudleigh et al.

(10) **Patent No.:** **US D679,878 S**

(45) **Date of Patent:** **** Apr. 9, 2013**

(54) **PART OF A VACUUM CLEANER**

(75) Inventors: **Edward Jonathan Chudleigh**,
Malmesbury (GB); **Paul Dawson**,
Malmesbury (GB); **James Dyson**,
Malmesbury (GB)

(73) Assignee: **Dyson Technology Limited**,
Malmesbury (GB)

(**) Term: **14 Years**

(21) Appl. No.: **29/409,502**

(22) Filed: **Dec. 23, 2011**

(30) **Foreign Application Priority Data**

Jun. 29, 2011 (EM) 001283238-0003

(51) **LOC (9) Cl.** **15-05**

(52) **U.S. Cl.** **D32/33**

(58) **Field of Classification Search** D32/17-18,
D32/31-33; 15/321-322, 415.1-422.1, 246.2,
15/400, 353; 38/77.5, 77.9; 392/384, 404;
68/5 R, 5 A, 222; 223/51, 70, 73; 239/538;
119/677, 652, 600, 612, 615, 618; D30/158

See application file for complete search history.

(56) **References Cited**

U.S. PATENT DOCUMENTS

D419,733	S	*	1/2000	Medema	D32/32
D443,741	S	*	6/2001	Parr et al.	D32/32
D508,154	S	*	8/2005	Carr	D32/32
D515,756	S	*	2/2006	Allard et al.	D32/32
D520,695	S	*	5/2006	Dyson et al.	D32/33
D585,167	S	*	1/2009	Wishney	D32/32
D590,112	S	*	4/2009	Sun	D32/32
D621,109	S	*	8/2010	Benequisto	D32/32
D621,111	S	*	8/2010	Kim	D32/32
D622,465	S	*	8/2010	Crawley	D32/33
D640,431	S	*	6/2011	Houghton	D32/33

* cited by examiner

Primary Examiner — Ruth McInroy

(74) *Attorney, Agent, or Firm* — Morrison & Foerster LLP

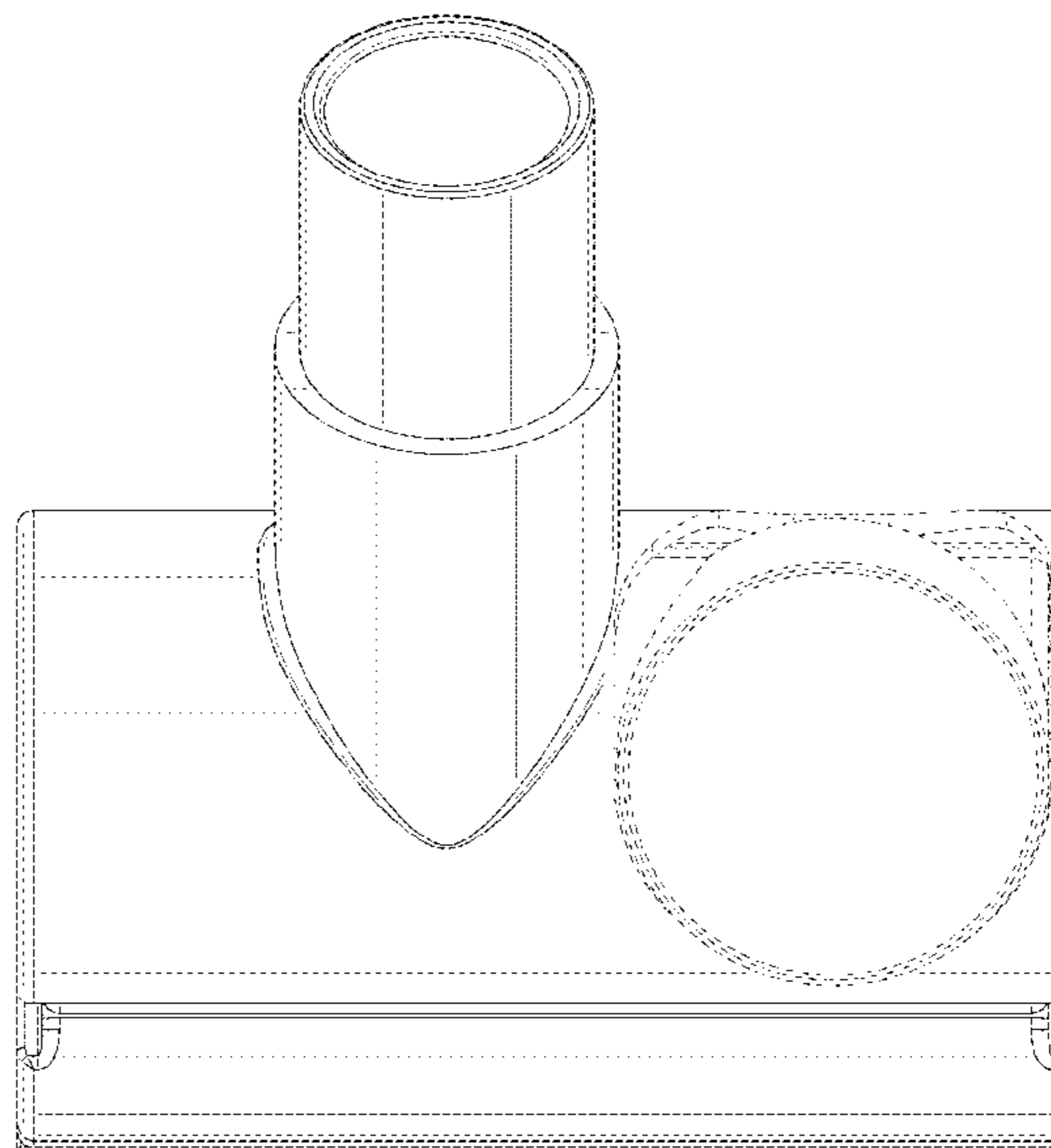
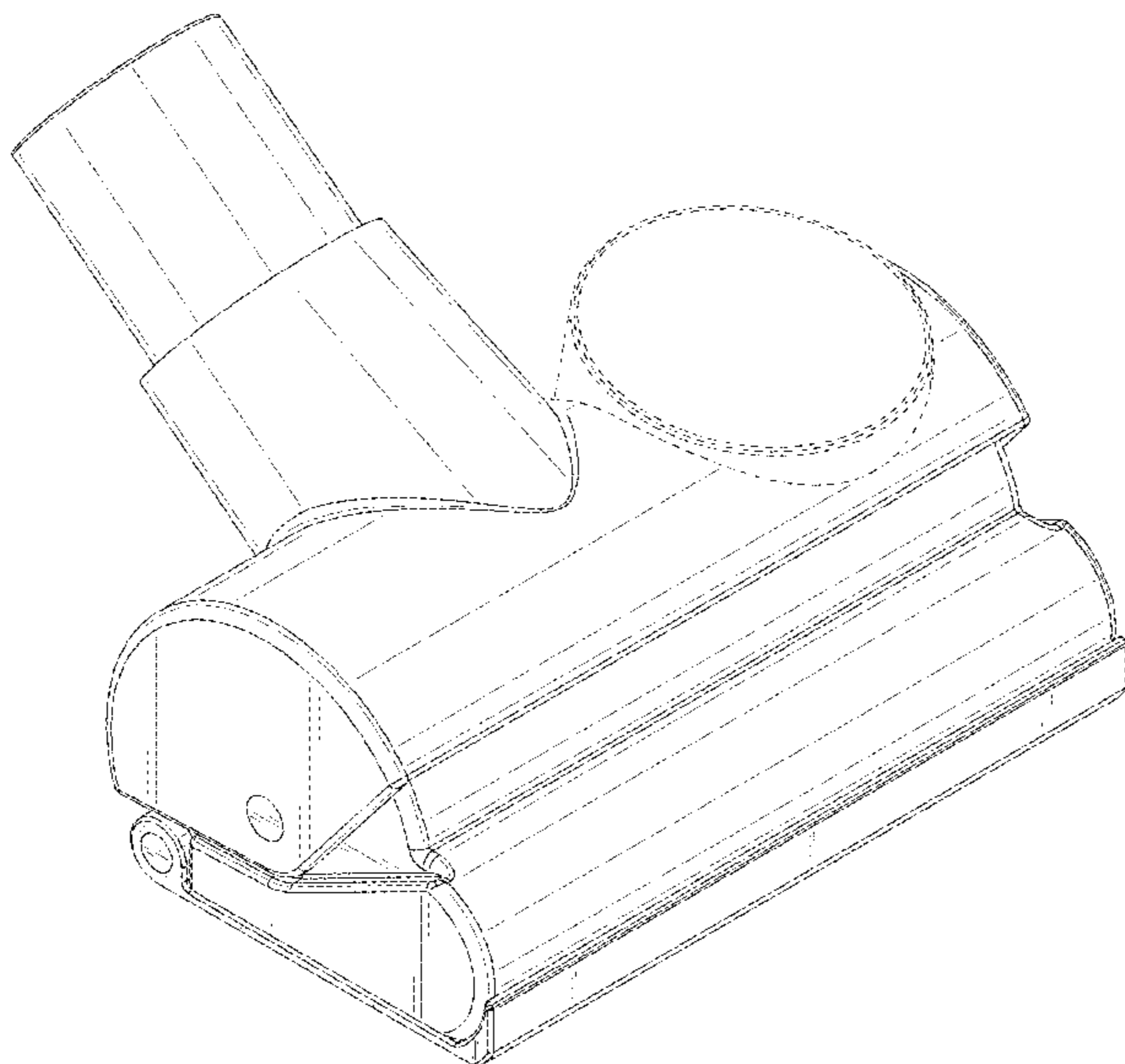
(57) **CLAIM**

We claim the ornamental design for a part of a vacuum cleaner, as shown and described.

DESCRIPTION

FIG. 1 is a perspective view of a part of a vacuum cleaner showing our new design;
FIG. 2 is a top view thereof;
FIG. 3 is a bottom view thereof;
FIG. 4 is a side view thereof;
FIG. 5 is a side view of the opposite side of FIG. 4;
FIG. 6 is a front view thereof; and,
FIG. 7 is a rear view thereof.

1 Claim, 7 Drawing Sheets



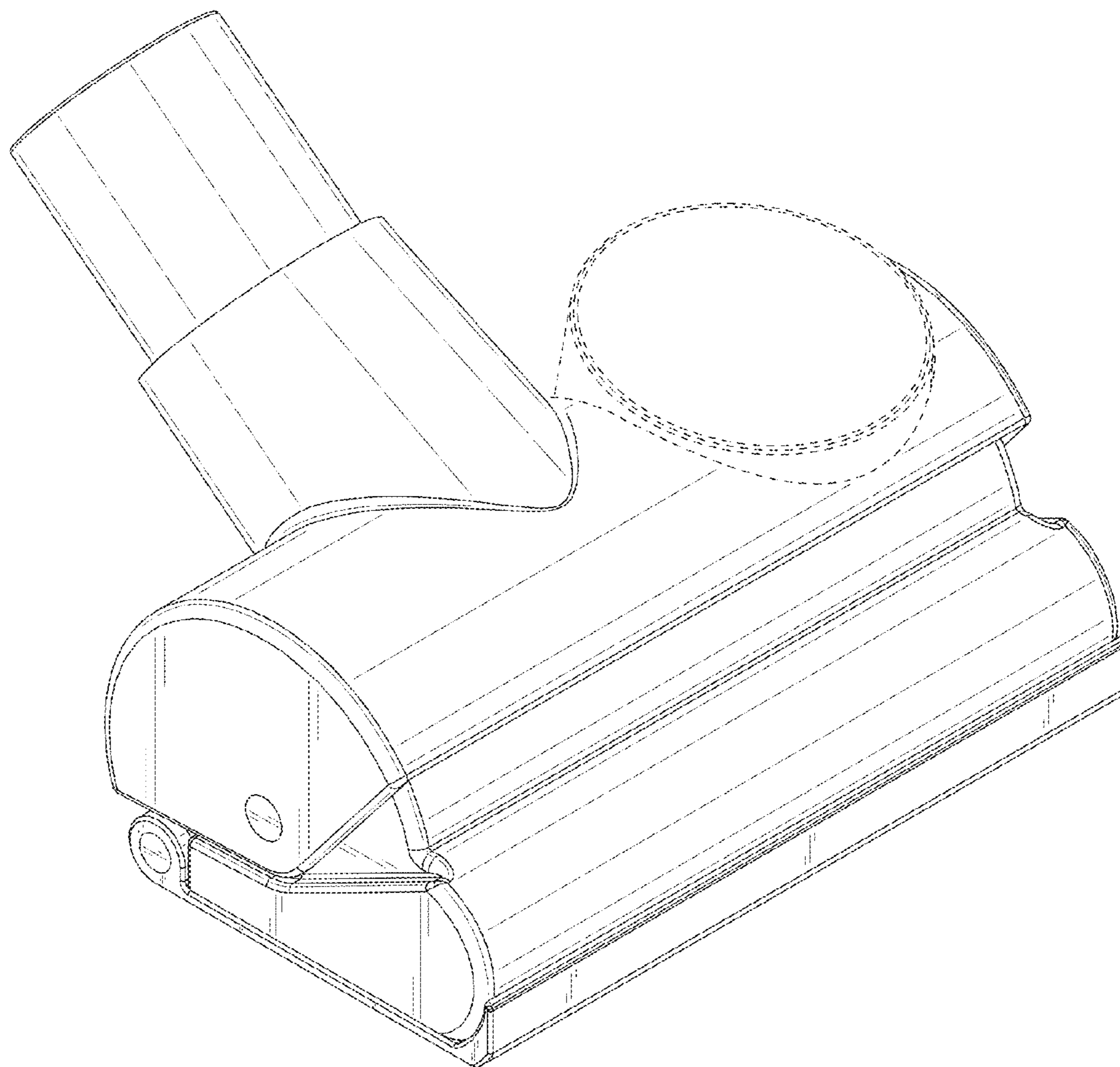


FIG. 1

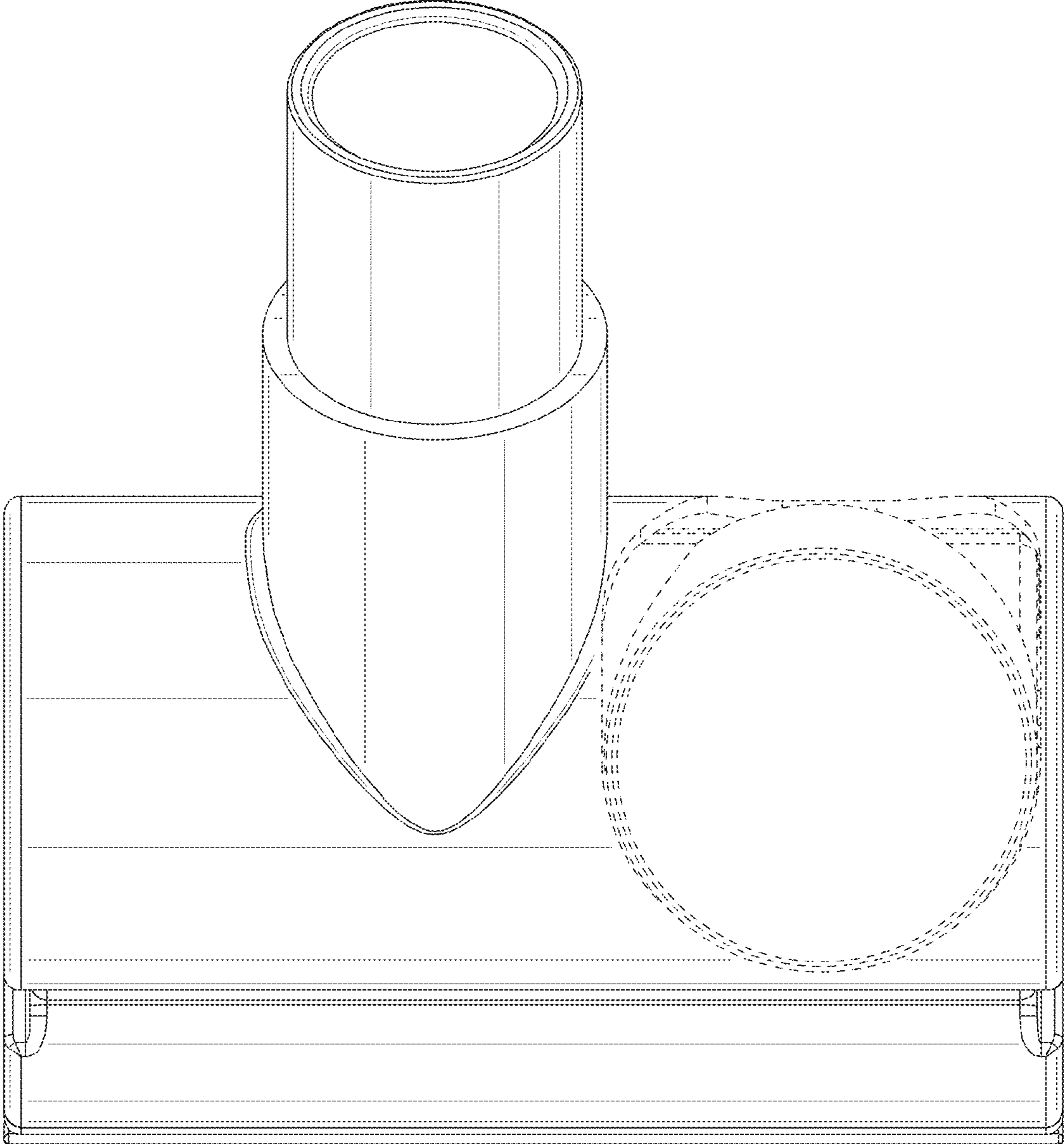


FIG. 2

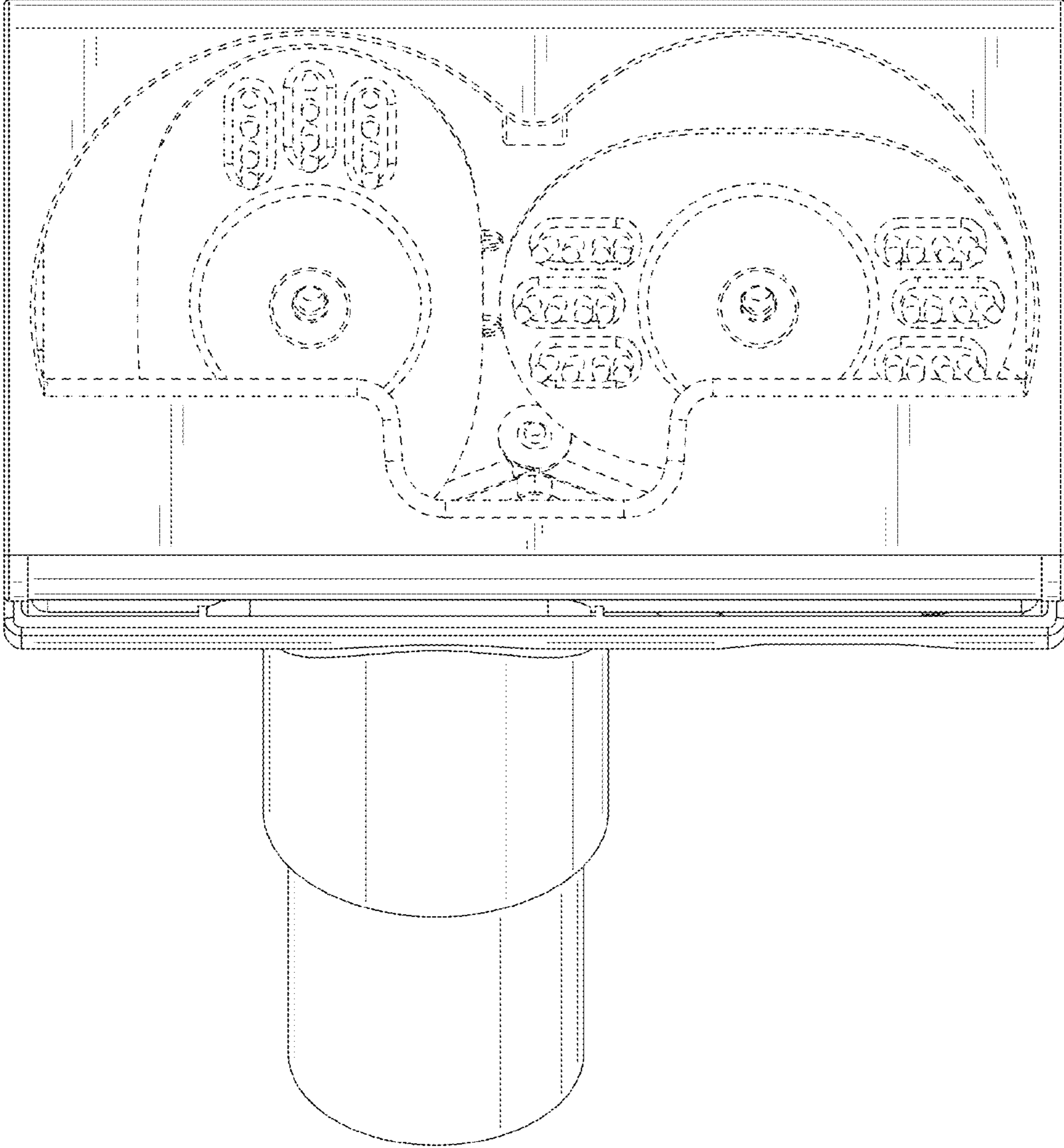


FIG. 3

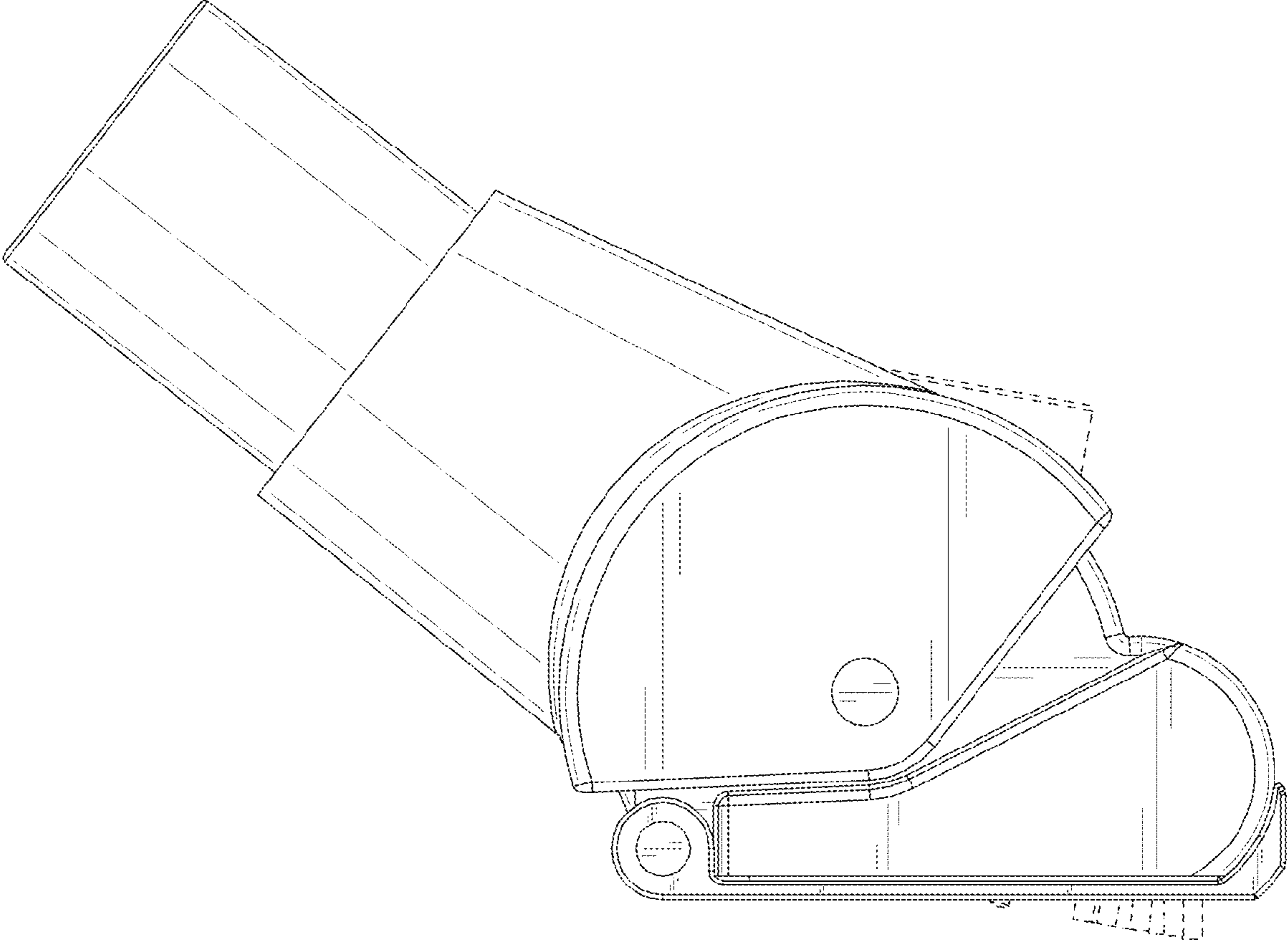


FIG. 4

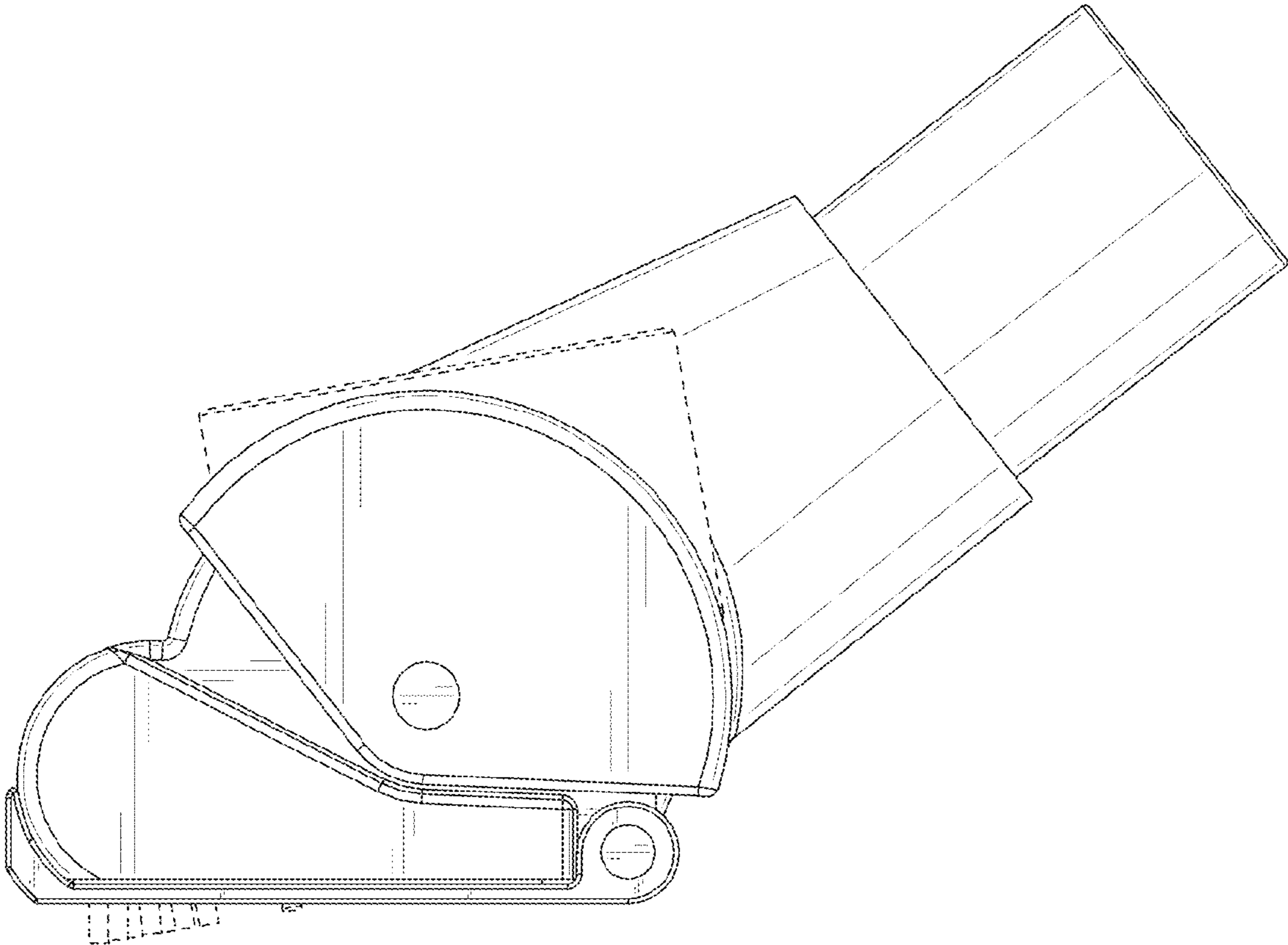


FIG. 5

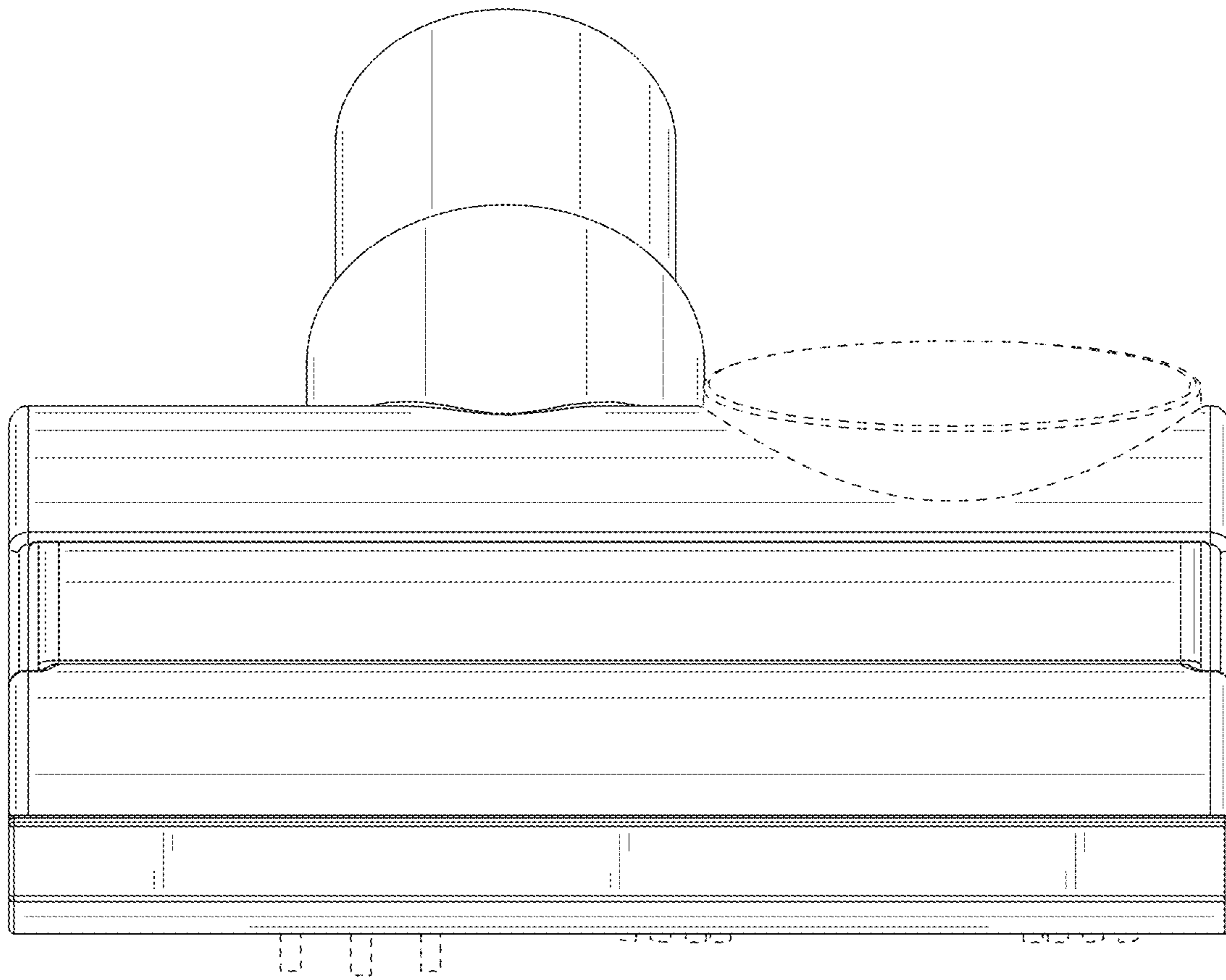


FIG. 6

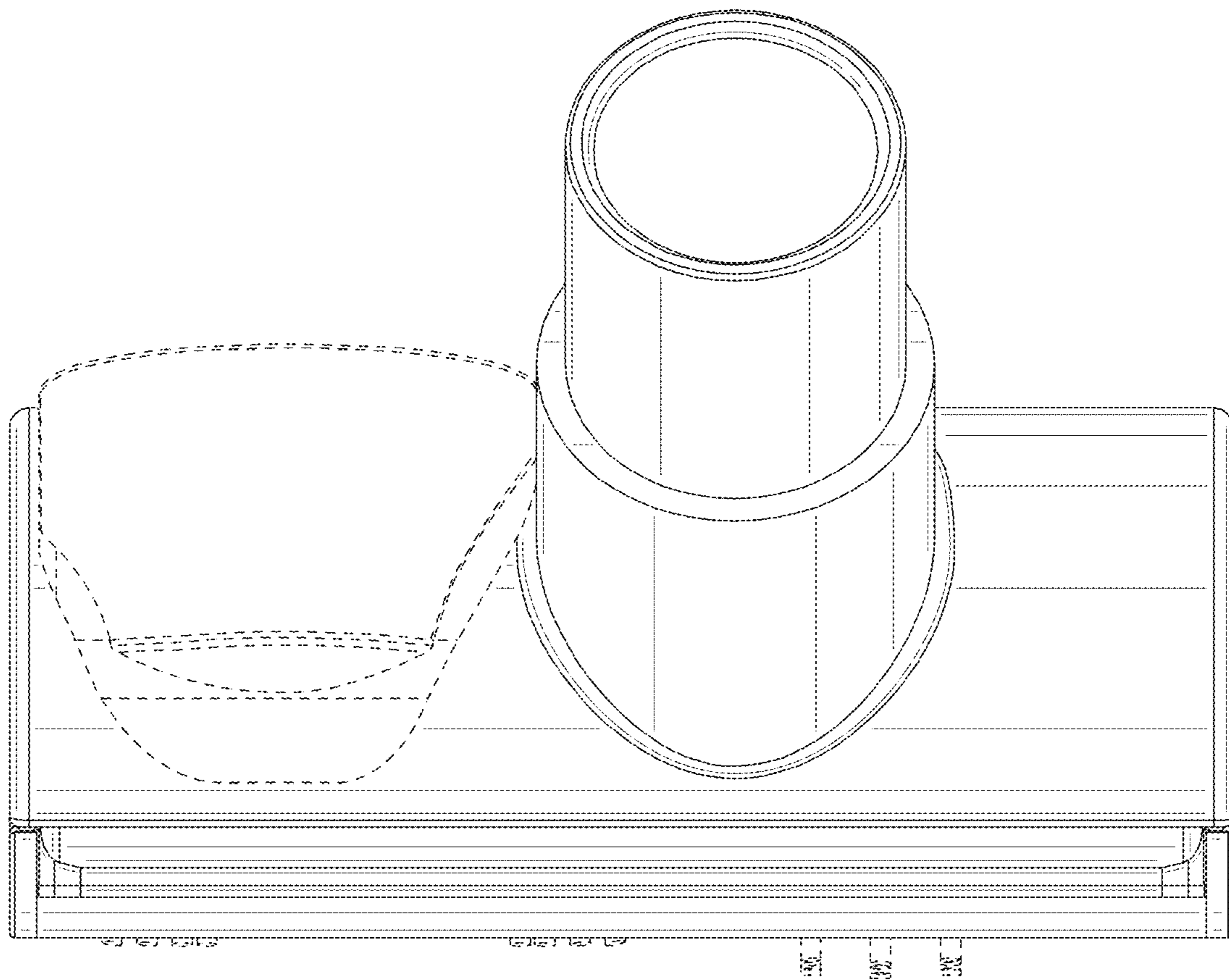


FIG. 7