



US00D679877S

(12) **United States Design Patent**
Crevling, Jr. et al.

(10) **Patent No.:** **US D679,877 S**

(45) **Date of Patent:** **** Apr. 9, 2013**

(54) **VACUUM CLEANER**

(75) Inventors: **Robert Lent Crevling, Jr.**,
Williamsport, PA (US); **Kevin Fry**,
South Williamsport, PA (US); **John**
Griffin, Phoenix, AZ (US)

(73) Assignee: **Shop Vac Corporation**, Williamsport,
PA (US)

(**) Term: **14 Years**

(21) Appl. No.: **29/398,276**

(22) Filed: **Jul. 28, 2011**

(51) **LOC (9) Cl.** **15-05**

(52) **U.S. Cl.** **D32/18**

(58) **Field of Classification Search** D32/17-18,
D32/22, 31; 15/320-321, 350-354, 415.1-422,
15/329, 344, 361, 410-411, 347, 1.7, DIG. 1;
55/DIG. 3

See application file for complete search history.

(56) **References Cited**

U.S. PATENT DOCUMENTS

D426,037	S	*	5/2000	Roberts et al.	D32/18
D430,365	S	*	8/2000	Roberts et al.	D32/18
D443,960	S	*	6/2001	Shimko et al.	D32/18
D468,068	S	*	12/2002	Mok	D32/18
D471,331	S	*	3/2003	Pan	D32/18
6,550,098	B2	*	4/2003	Roberts et al.	15/320
D480,846	S	*	10/2003	Ki	D32/18
D481,843	S	*	11/2003	Downey et al.	D32/18

D507,853	S	*	7/2005	Main et al.	D32/18
D518,253	S	*	3/2006	Erlich et al.	D32/18
D526,752	S	*	8/2006	Rosenzweig	D32/18
D528,715	S	*	9/2006	Carr	D32/18
D528,716	S	*	9/2006	Yuen	D32/18
D537,216	S	*	2/2007	Davis et al.	D32/18
7,225,503	B1	*	6/2007	Lenkiewicz et al.	15/320
D569,058	S	*	5/2008	Crawley	D32/18
D640,848	S	*	6/2011	Houghton	D32/18
2005/0132528	A1	*	6/2005	Yau	15/344

* cited by examiner

Primary Examiner — Ruth McInroy

(74) *Attorney, Agent, or Firm* — Marshall, Gerstein & Borun
LLP

(57) **CLAIM**

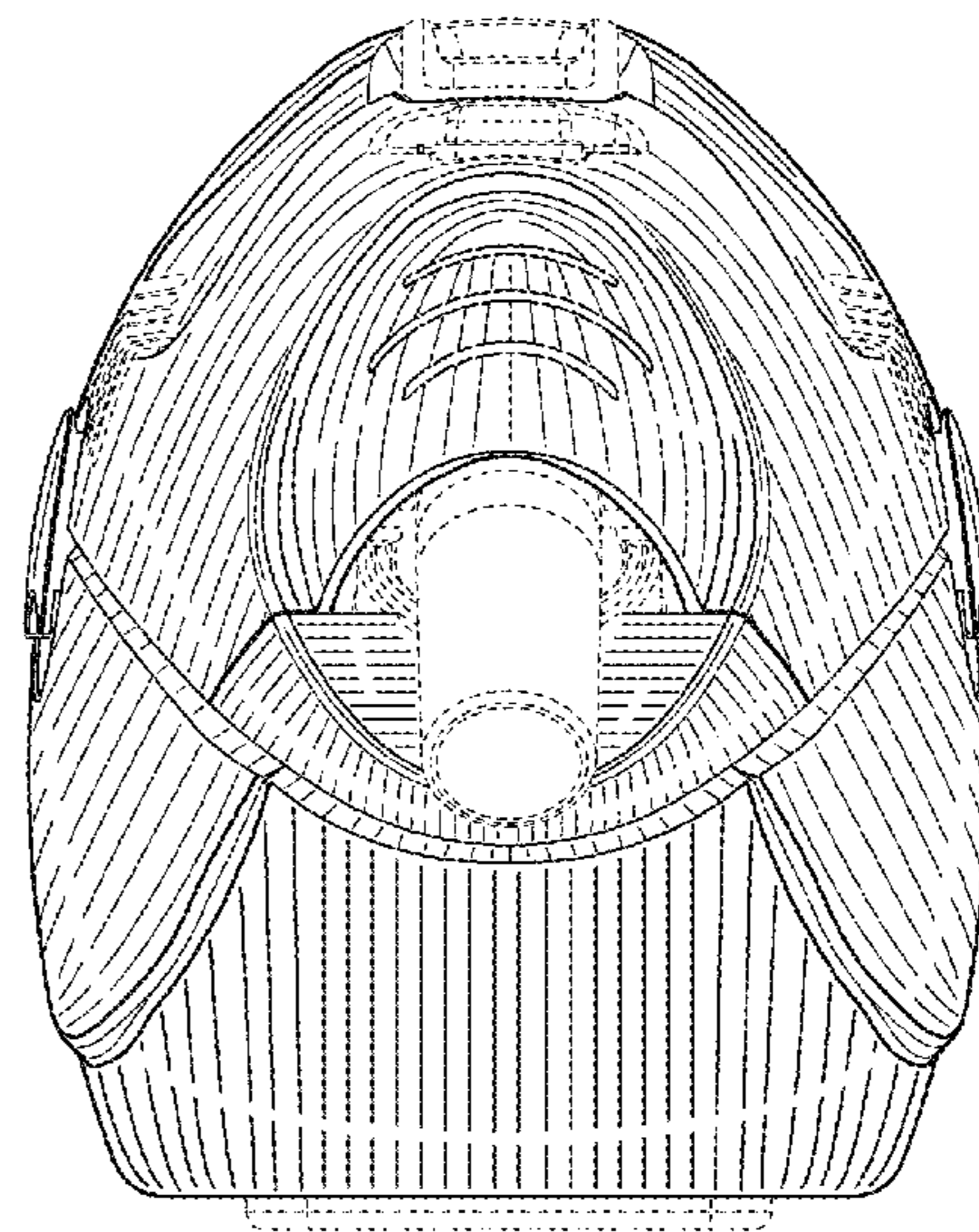
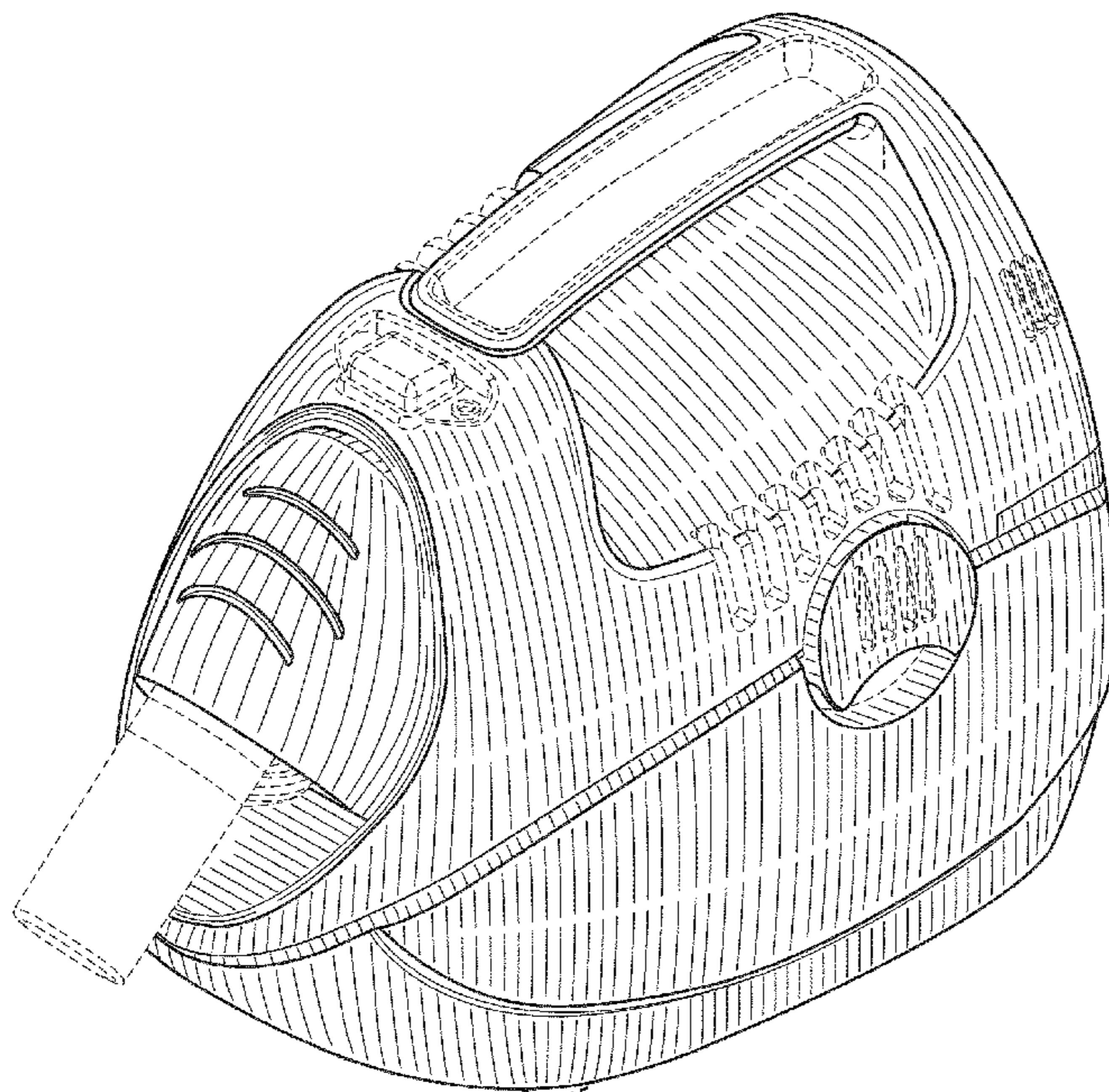
The ornamental design for a vacuum cleaner, as shown and
described.

DESCRIPTION

FIG. 1 is a top, front and left side perspective view of a
vacuum cleaner showing our new design;
FIG. 2 is a front elevation view thereof;
FIG. 3 is a left side elevation view thereof;
FIG. 4 is a rear elevation view thereof;
FIG. 5 is a right side elevation view thereof; and,
FIG. 6 is a top plan view thereof.

The broken lines illustrate portions of the vacuum cleaner and
define the bounds of the claimed invention, and form no part
of the claimed design.

1 Claim, 6 Drawing Sheets



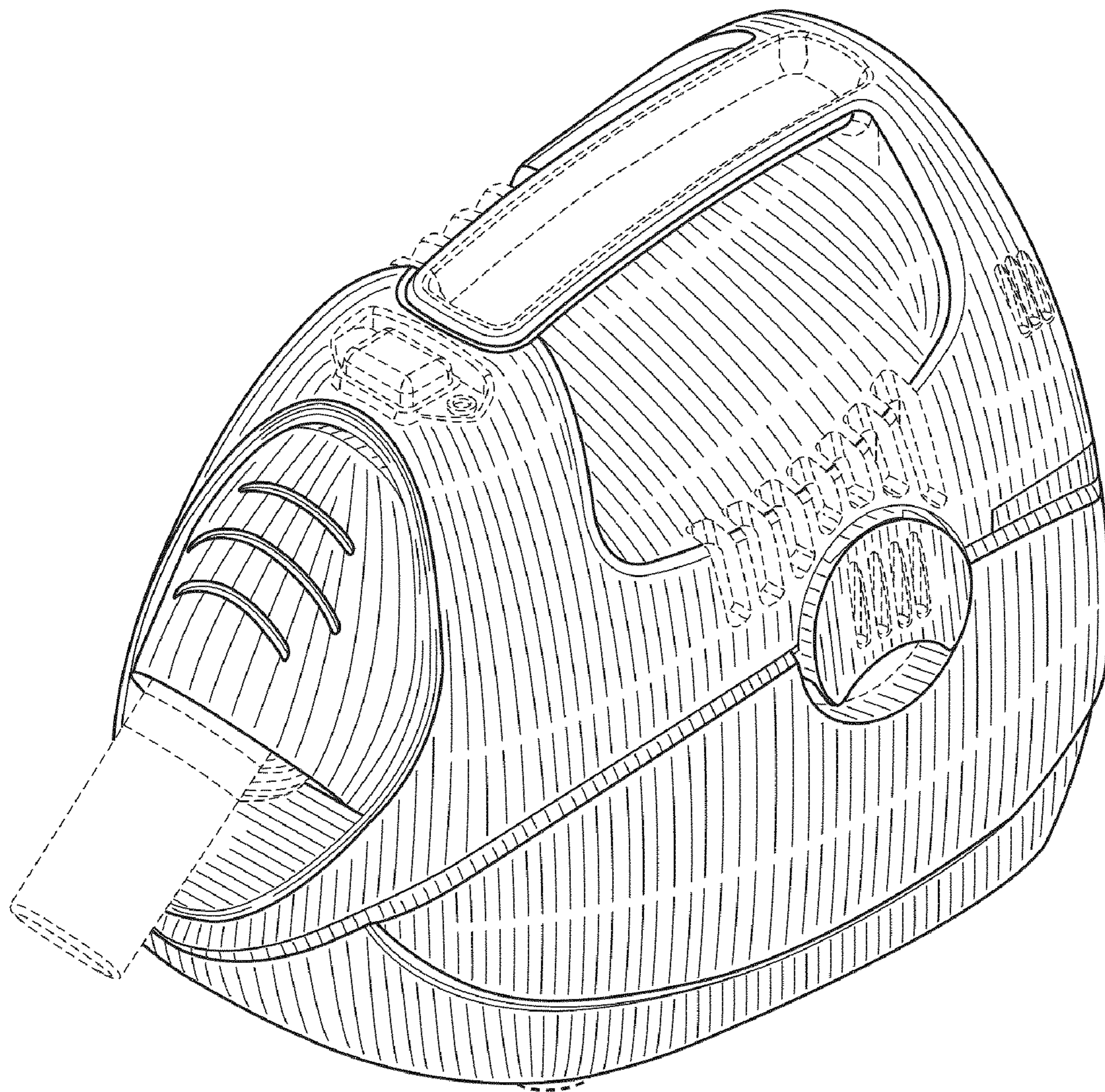


FIG. 1

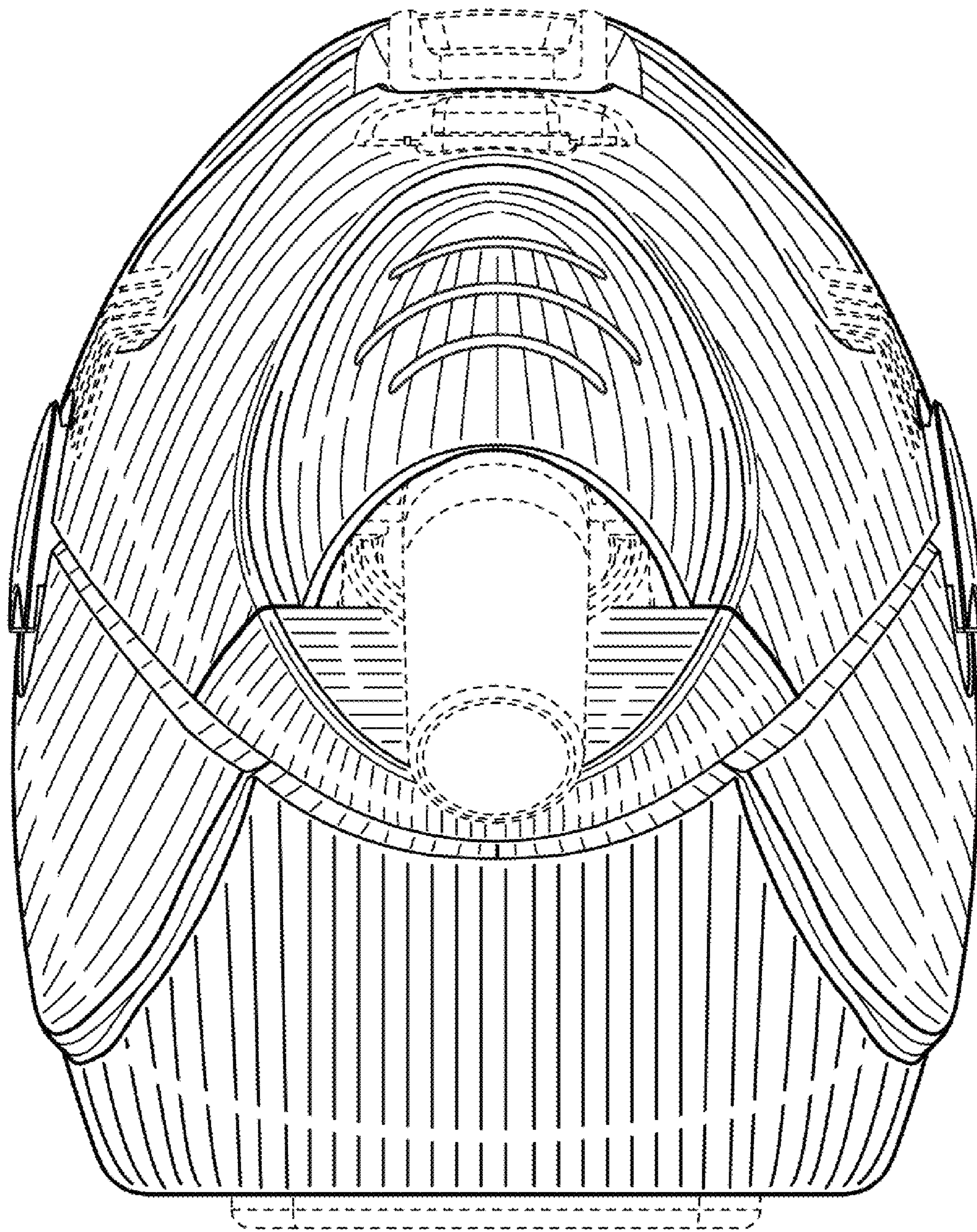


FIG. 2

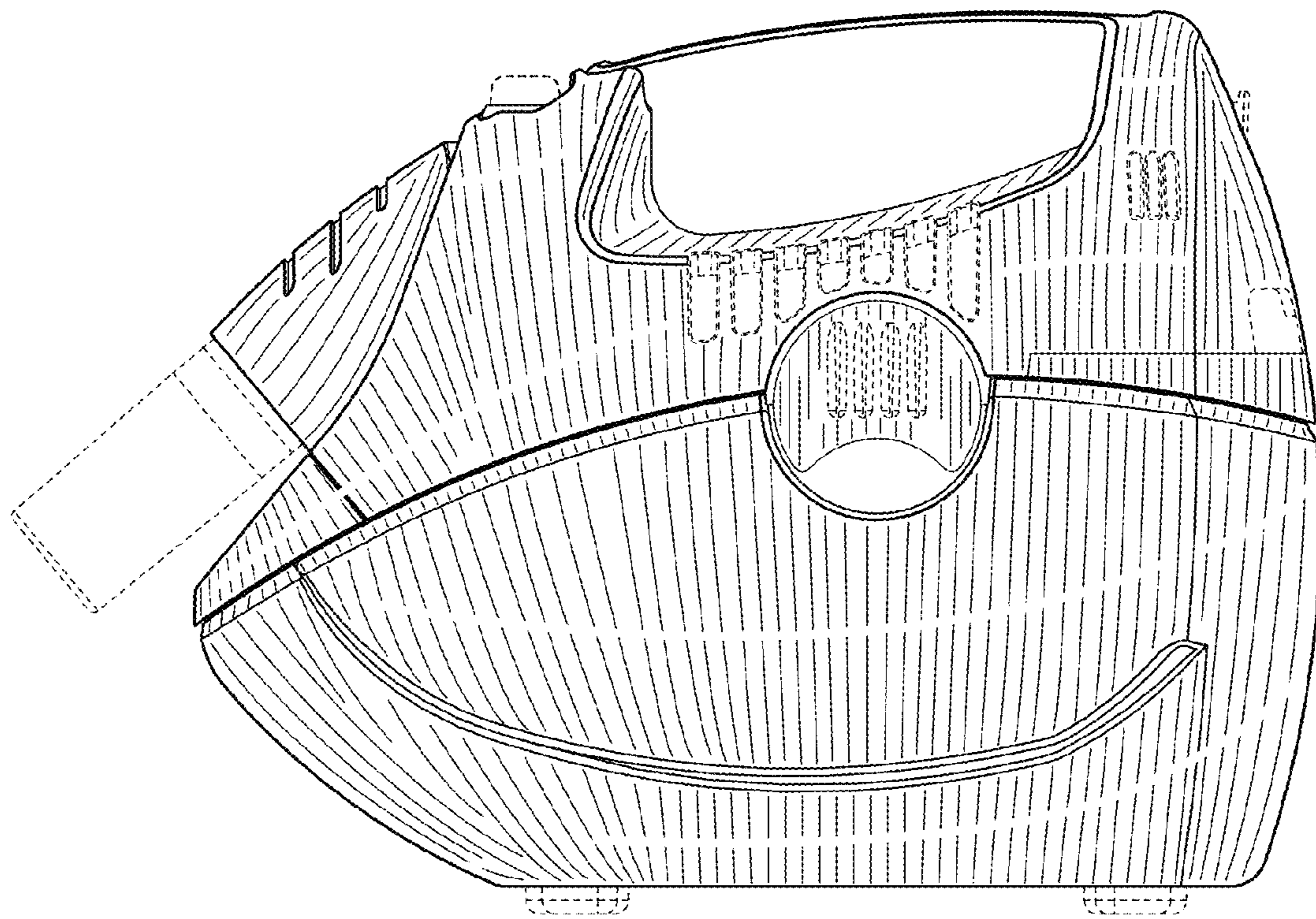


FIG. 3

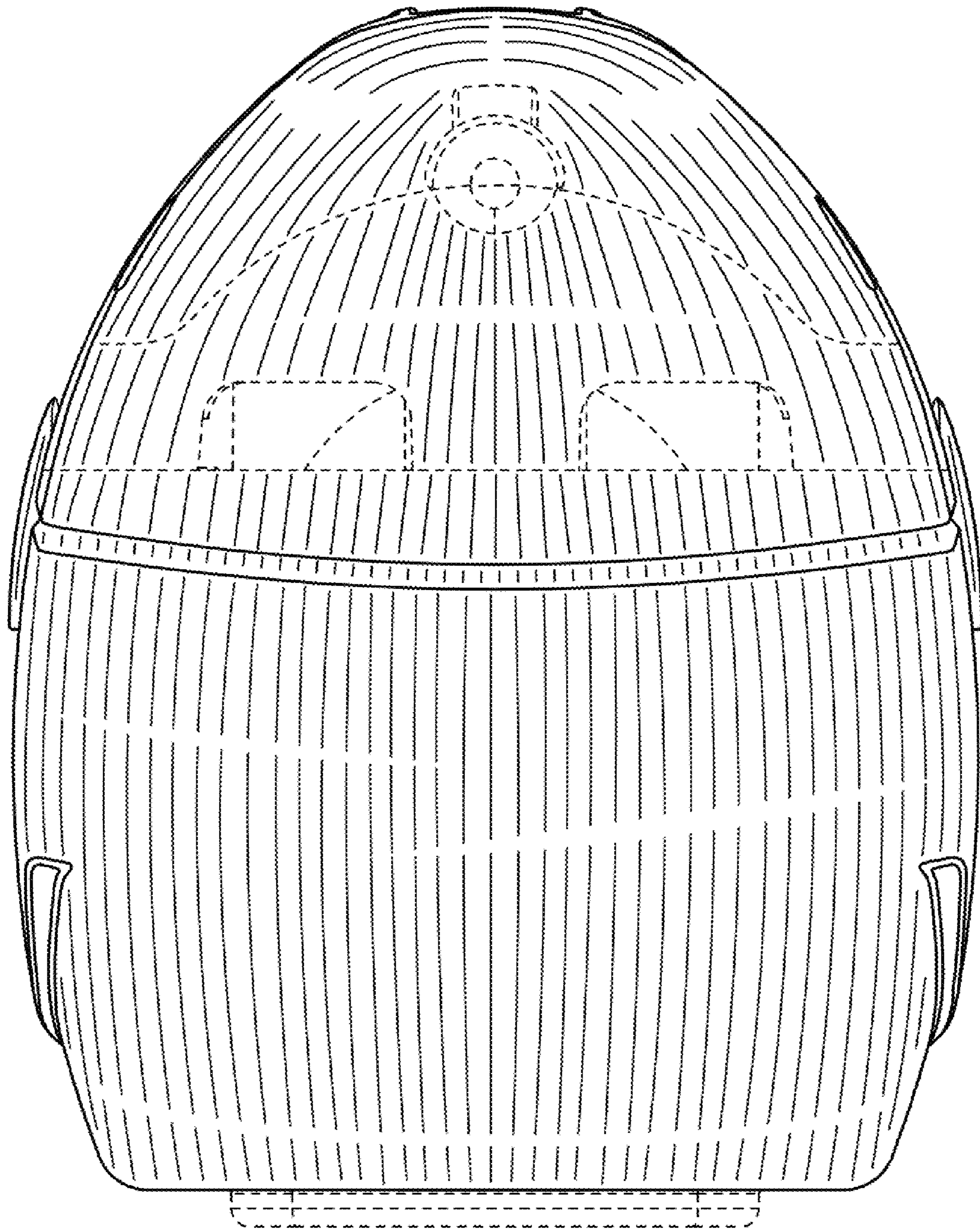


FIG. 4

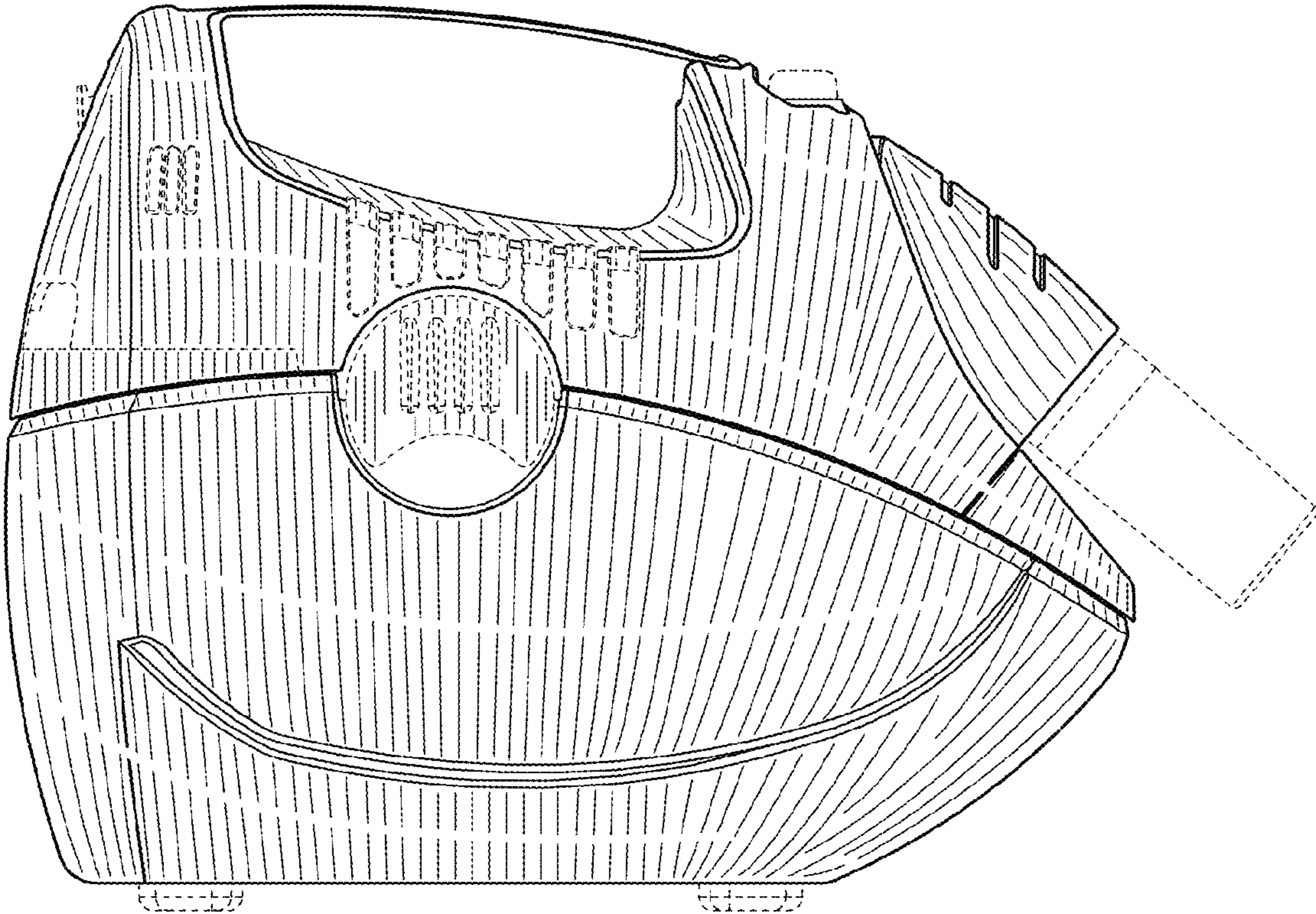


FIG. 5

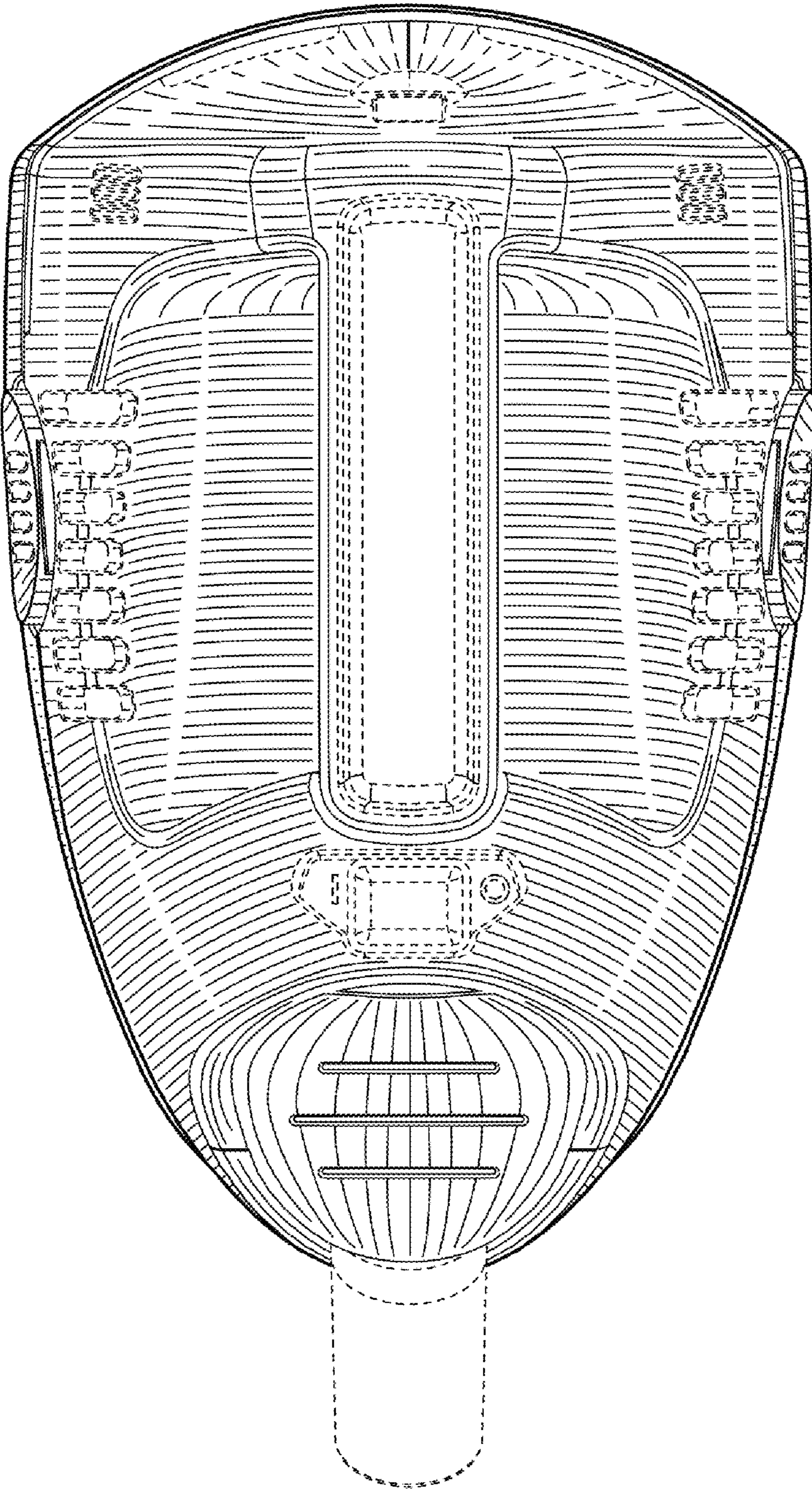


FIG. 6