



US00D679869S

(12) **United States Design Patent**  
**Kim**

(10) **Patent No.:** **US D679,869 S**

(45) **Date of Patent:** **\*\* Apr. 9, 2013**

- (54) **WELDING PROTECTION VISOR**
- (76) Inventor: **Dong Ken Kim**, Gangwon-do (KR)
- (\*\*) Term: **14 Years**
- (21) Appl. No.: **29/387,759**
- (22) Filed: **Mar. 17, 2011**
- (51) **LOC (9) Cl.** ..... **29-02**
- (52) **U.S. Cl.**  
USPC ..... **D29/122**
- (58) **Field of Classification Search** ..... D29/100,  
D29/102, 103, 104, 105, 106, 107, 108, 109,  
D29/110, 111, 122; D24/189, 190, 191,  
D24/124; 2/9, 410-414, 416-425, 209.13,  
2/906, 6.7, 7, 8.1, 8.2, 8.6, 8.7, 171, 171.3,  
2/427, 429, 10, 206, 173, 4, 457; 128/889,  
128/201.24, 201.15, 857, 858, 891; 602/74,  
602/41, 58; 604/358  
See application file for complete search history.

5,959,705	A *	9/1999	Ferguson	.....	349/14
6,151,711	A *	11/2000	Edwards	.....	2/8.3
6,401,244	B1 *	6/2002	Kramer et al.	.....	2/8.1
6,557,174	B2 *	5/2003	Martin et al.	.....	2/8.8
6,973,672	B2 *	12/2005	Huh	.....	2/8.1
D654,225	S *	2/2012	Wu	.....	D29/110
D661,841	S *	6/2012	Klotz et al.	.....	D29/109
8,191,292	B2 *	6/2012	Cummings et al.	.....	40/329
2008/0060102	A1 *	3/2008	Matthews et al.	.....	2/8.2

\* cited by examiner

*Primary Examiner* — Raphael Barkai  
*Assistant Examiner* — Randall Gholson  
 (74) *Attorney, Agent, or Firm* — John K. Park; Park Law Firm

(57) **CLAIM**  
 The ornamental design for a welding protection visor, as shown and described is claimed.

**DESCRIPTION**

FIG. 1 is a perspective view of a welding protection visor showing my new design;  
 FIG. 2 is a front elevational view thereof;  
 FIG. 3 is a rear elevational view thereof;  
 FIG. 4 is a left side elevational view thereof;  
 FIG. 5 is right side elevational view thereof;  
 FIG. 6 is a top plan view thereof; and,  
 FIG. 7 is a bottom plan view thereof.

**1 Claim, 4 Drawing Sheets**

- (56) **References Cited**  
 U.S. PATENT DOCUMENTS  
 4,774,723 A \* 10/1988 Ruck ..... 2/8.1  
 5,062,156 A \* 11/1991 Siegal ..... 2/8.1  
 5,224,219 A \* 7/1993 Edwards et al. .... 2/8.3  
 D398,421 S \* 9/1998 Crafoord et al. .... D29/110

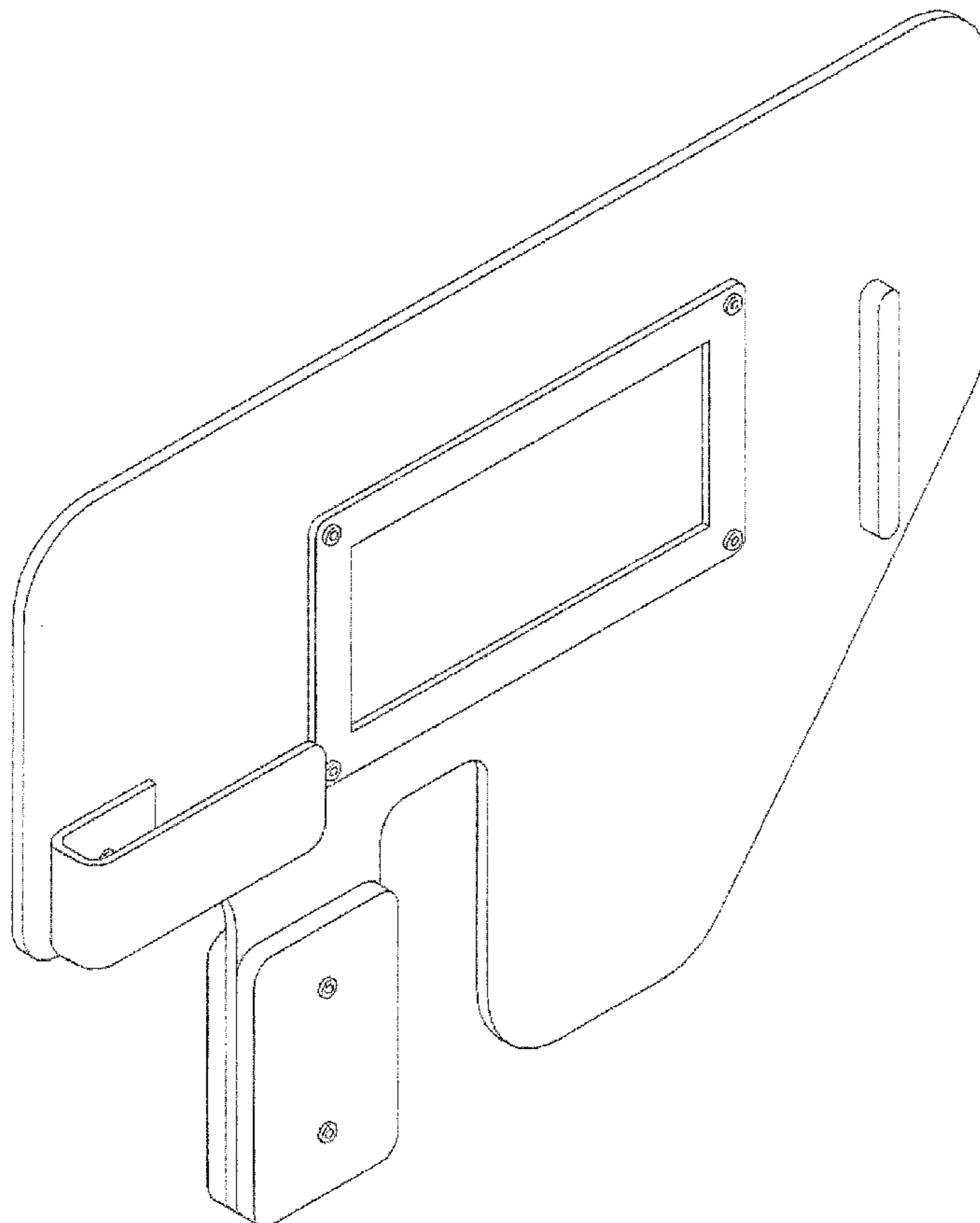


FIG. 1

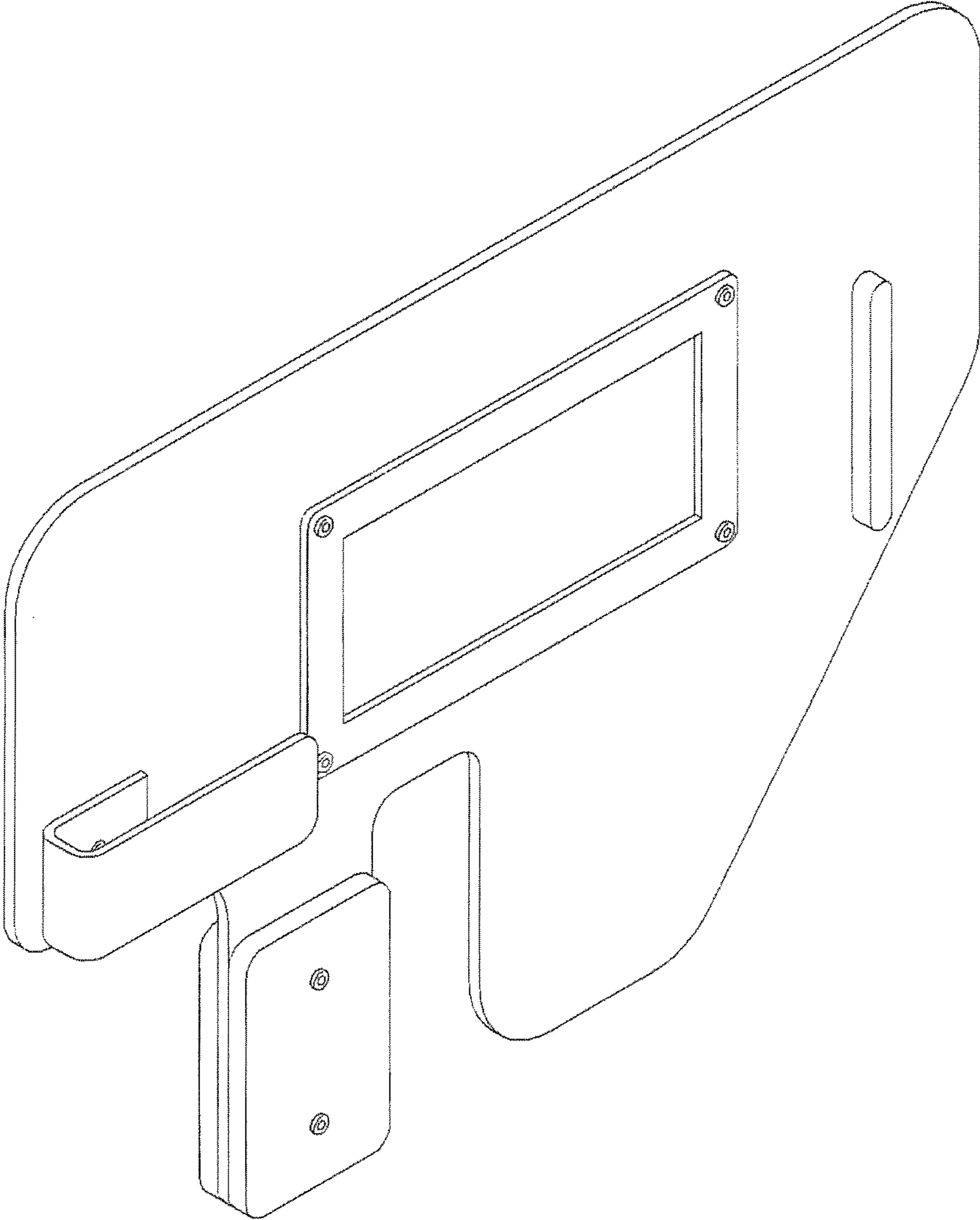


FIG. 2

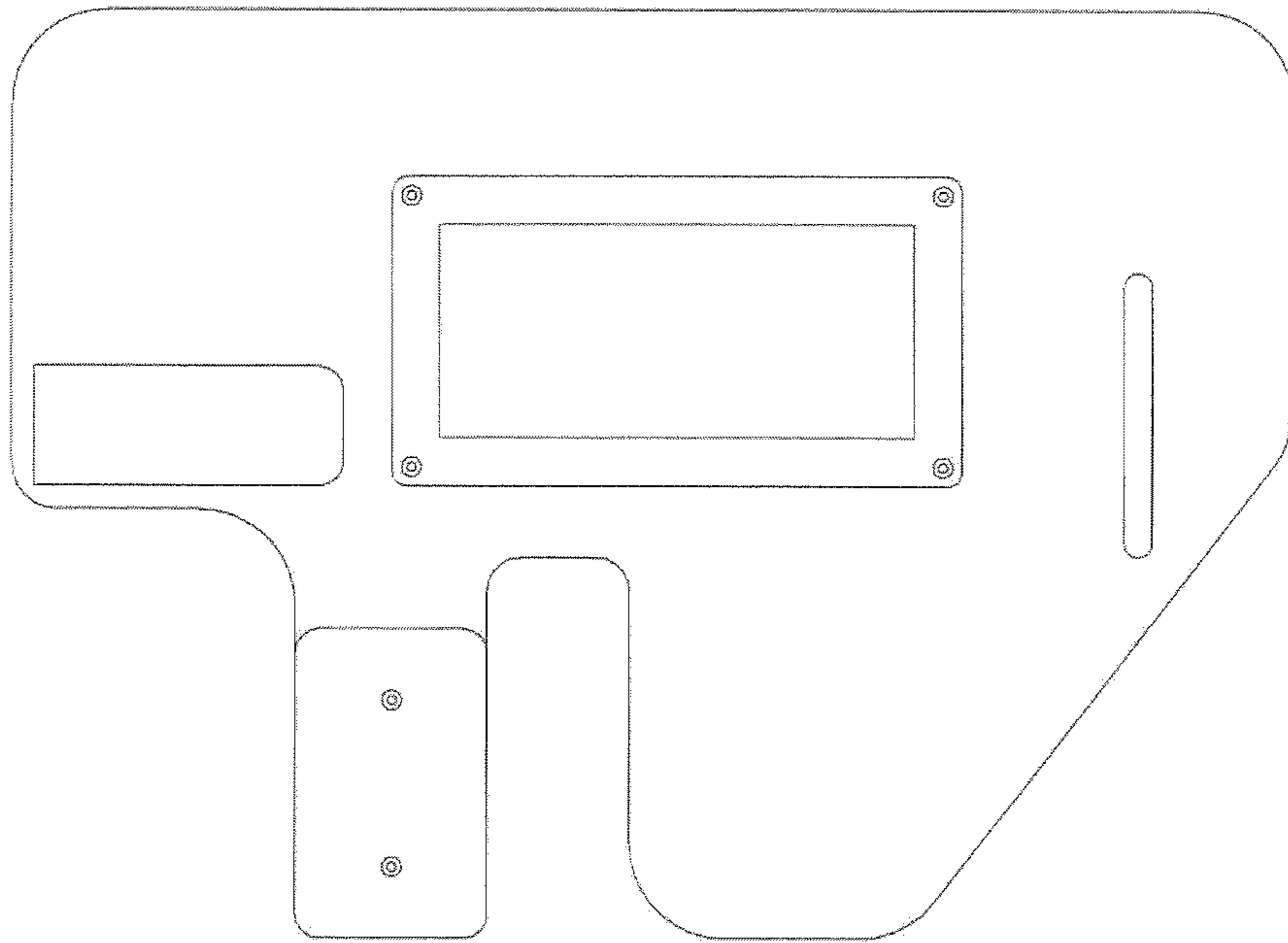


FIG. 3

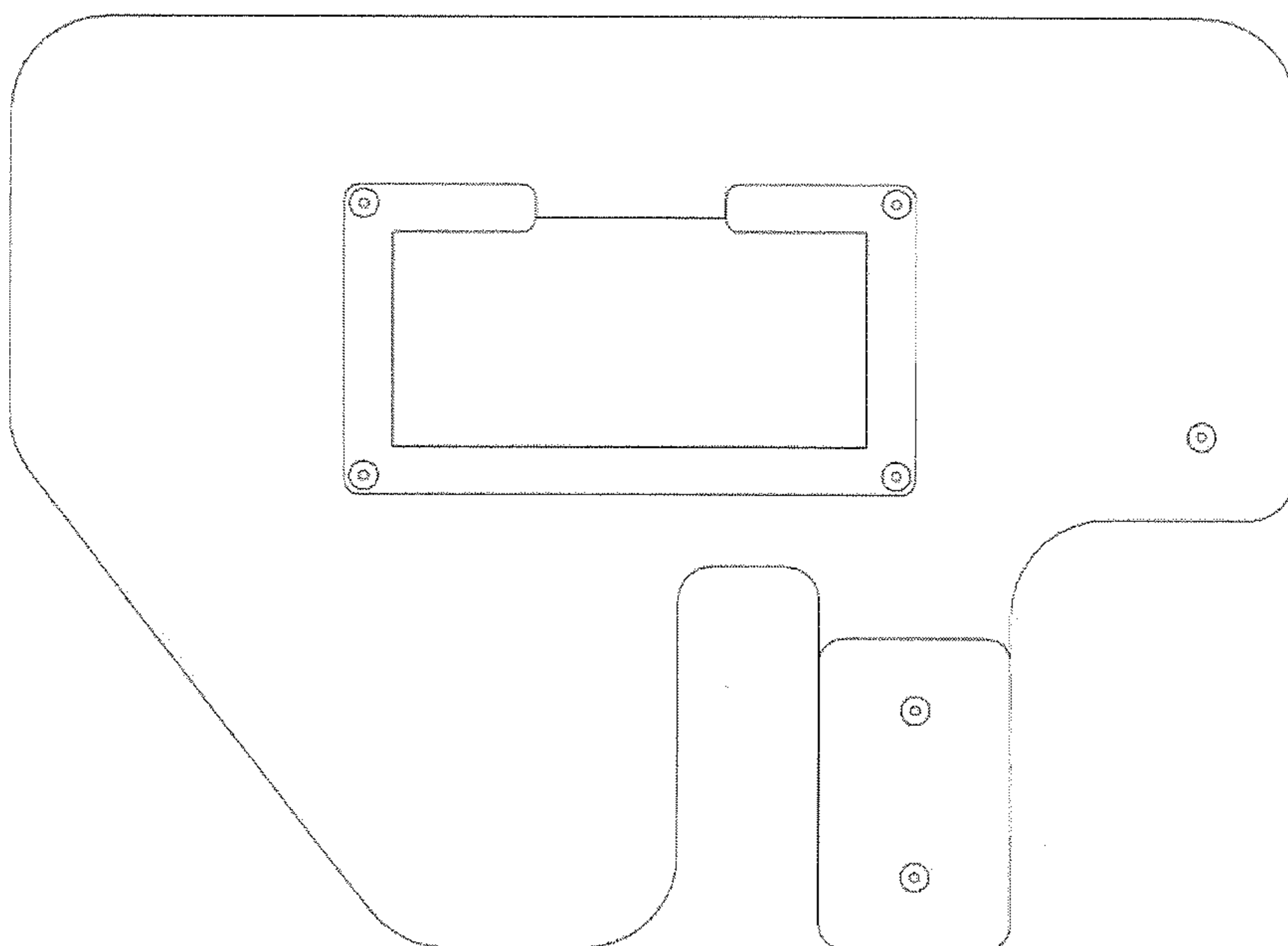


FIG. 4

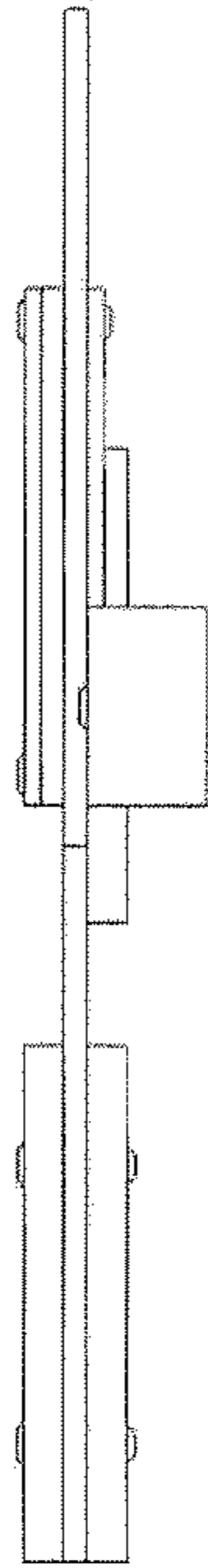


FIG. 5

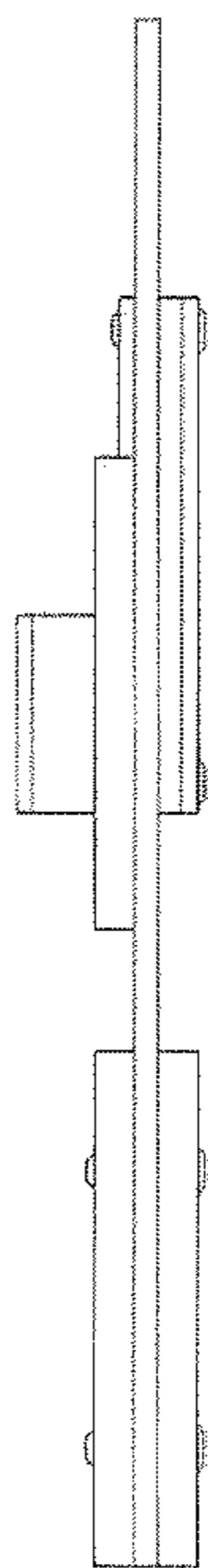


FIG. 6



FIG. 7

