



US00D679867S

(12) **United States Design Patent**  
**Jones**

(10) **Patent No.:** **US D679,867 S**

(45) **Date of Patent:** **\*\* Apr. 9, 2013**

(54) **HEADGEAR**

(76) **Inventor:** **Andrea Louise Jones, Saanichton (CA)**

(\*\*) **Term:** **14 Years**

(21) **Appl. No.:** **29/415,496**

(22) **Filed:** **Mar. 12, 2012**

(51) **LOC (9) CI.** ..... **02-03**

(52) **U.S. CI.**  
**USPC** ..... **D29/106**

(58) **Field of Classification Search** ..... D29/102-107,  
D29/122, 108-111; 2/175.4, 200.1, 8.2,  
2/6.6, 6.7, 410, 411, 417, 421, 424, 425,  
2/468, 9, 418; 359/642, 815; 362/105, 106  
See application file for complete search history.

(56) **References Cited**

**U.S. PATENT DOCUMENTS**

D213,085	S	*	1/1969	Wyckoff	.....	D29/106
3,436,760	A	*	4/1969	Molitoris	.....	2/6.6
D266,626	S	*	10/1982	Gooding	.....	D29/106
D385,663	S	*	10/1997	Hefling et al.	.....	D29/106

D635,305	S	*	3/2011	Lebel et al.	.....	D29/102
D645,210	S	*	9/2011	Chilson et al.	.....	D29/106
D654,628	S	*	2/2012	Aris et al.	.....	D29/102
2006/0179537	A1	*	8/2006	Dennis et al.	.....	2/6.6
2009/0222964	A1	*	9/2009	Wiles	.....	2/6.6

\* cited by examiner

*Primary Examiner* — Ruth McInroy

(74) *Attorney, Agent, or Firm* — Davis & Bujold, PLLC

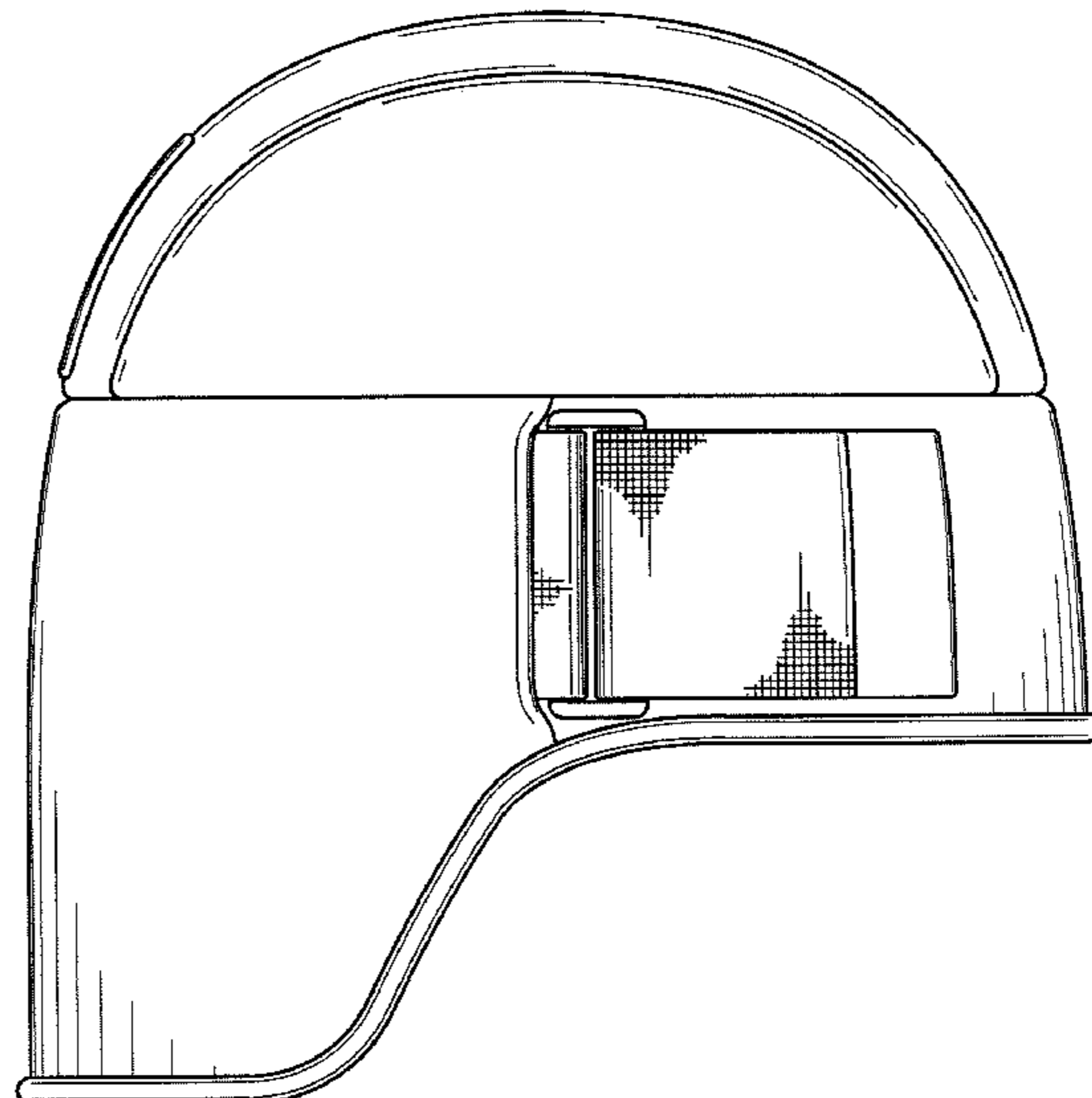
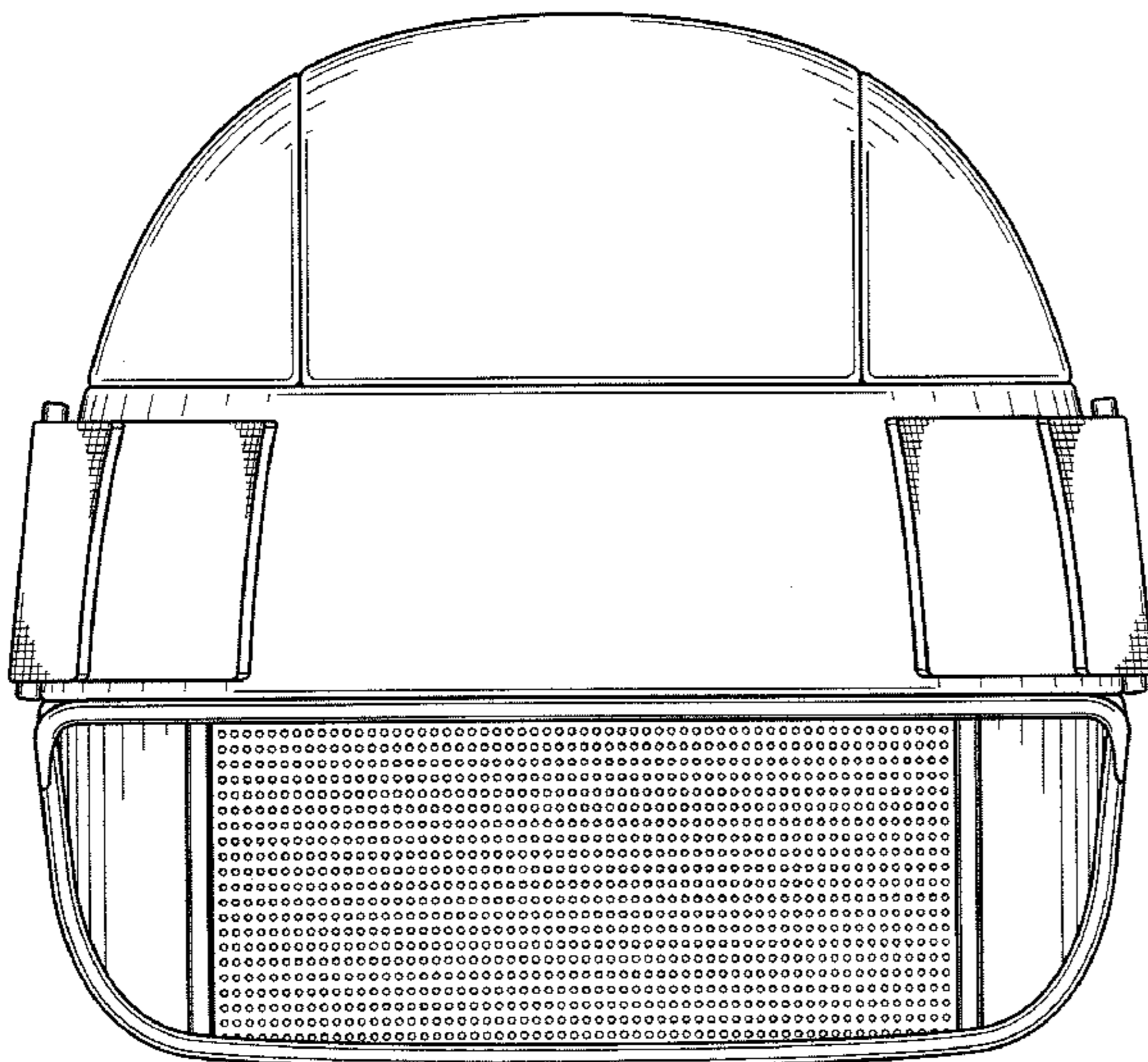
(57) **CLAIM**

I claim the ornamental design for a headgear, as shown and described.

**DESCRIPTION**

FIG. 1 is a front elevation view of a headgear showing my new design;  
FIG. 2 is a top plan view thereof;  
FIG. 3 is a bottom plan view thereof;  
FIG. 4 is a rear elevation view thereof;  
FIG. 5 is a left side elevation view thereof, the right side being a mirror image; and,  
FIG. 6 is a bottom, left side and rear perspective view thereof.

**1 Claim, 6 Drawing Sheets**



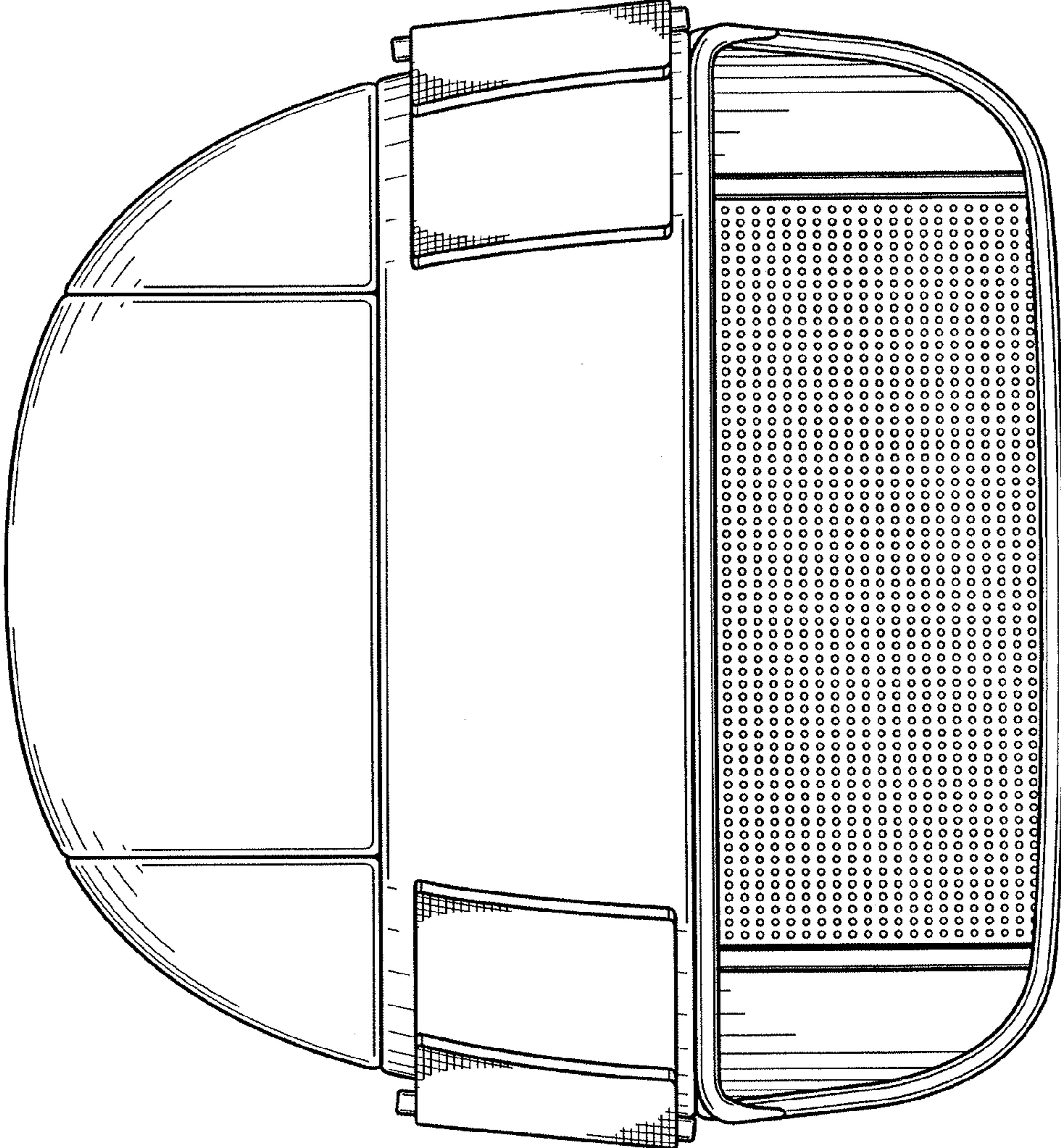
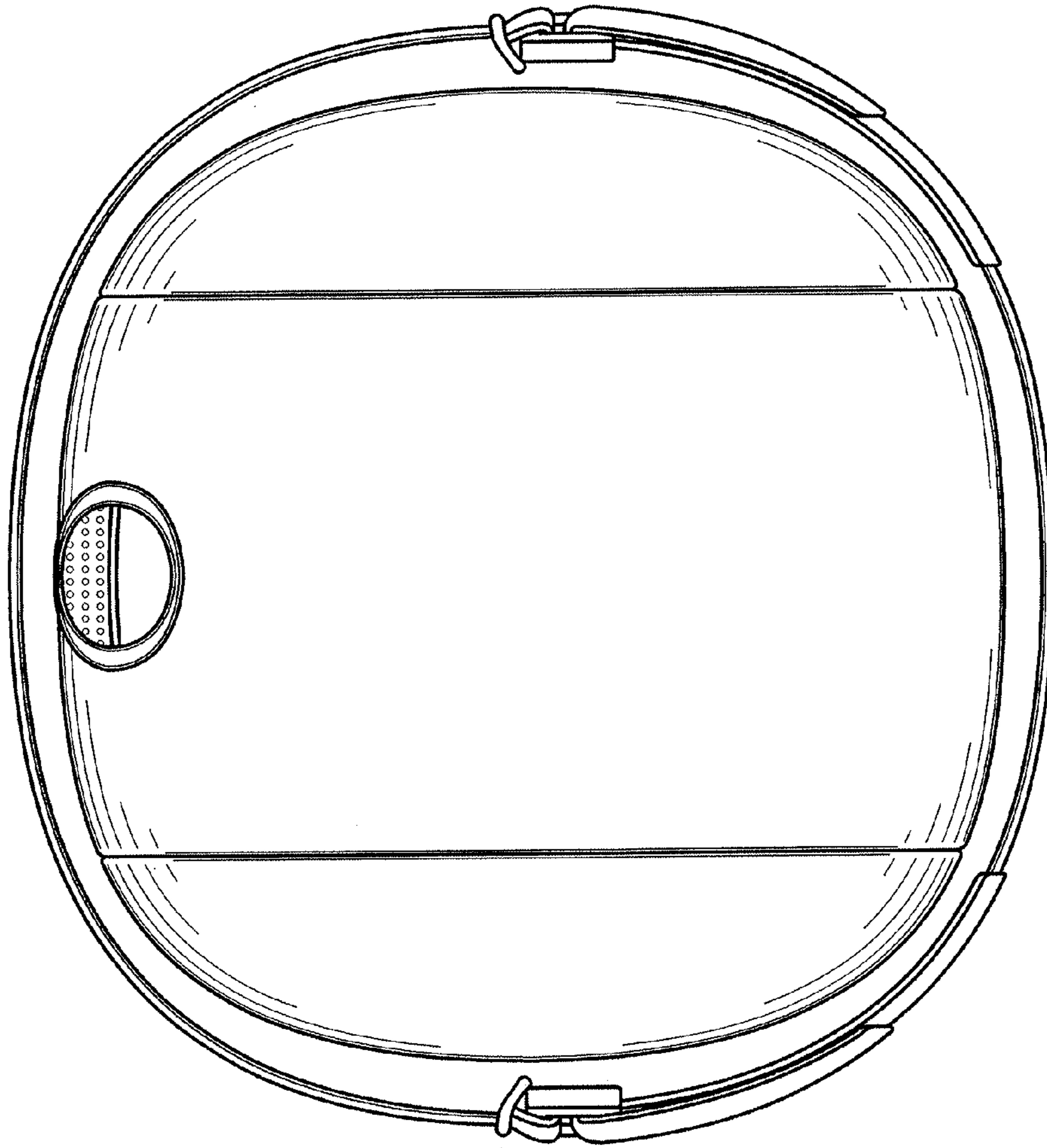


FIG. 1



**FIG. 2**



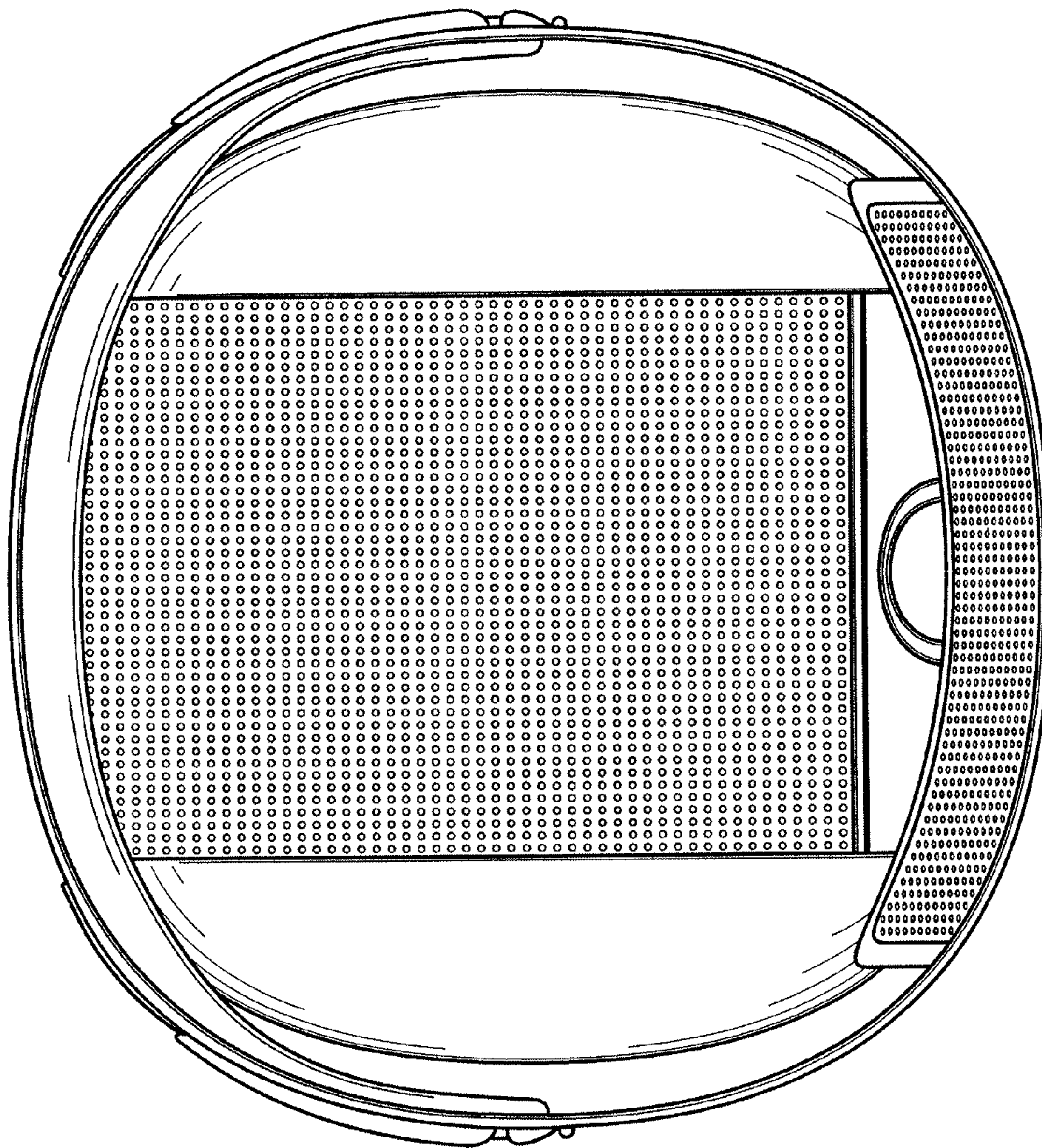


FIG. 3

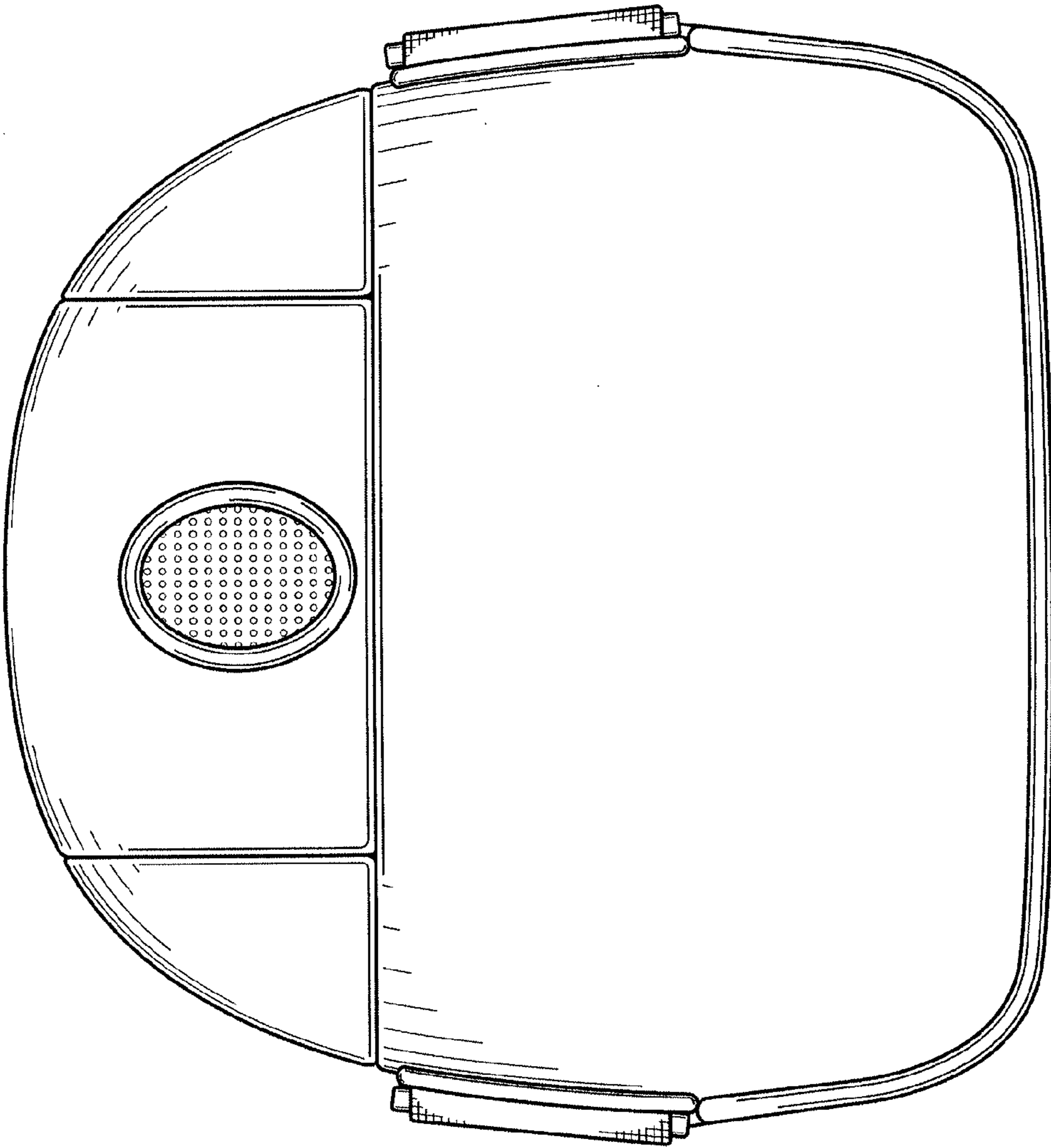


FIG. 4

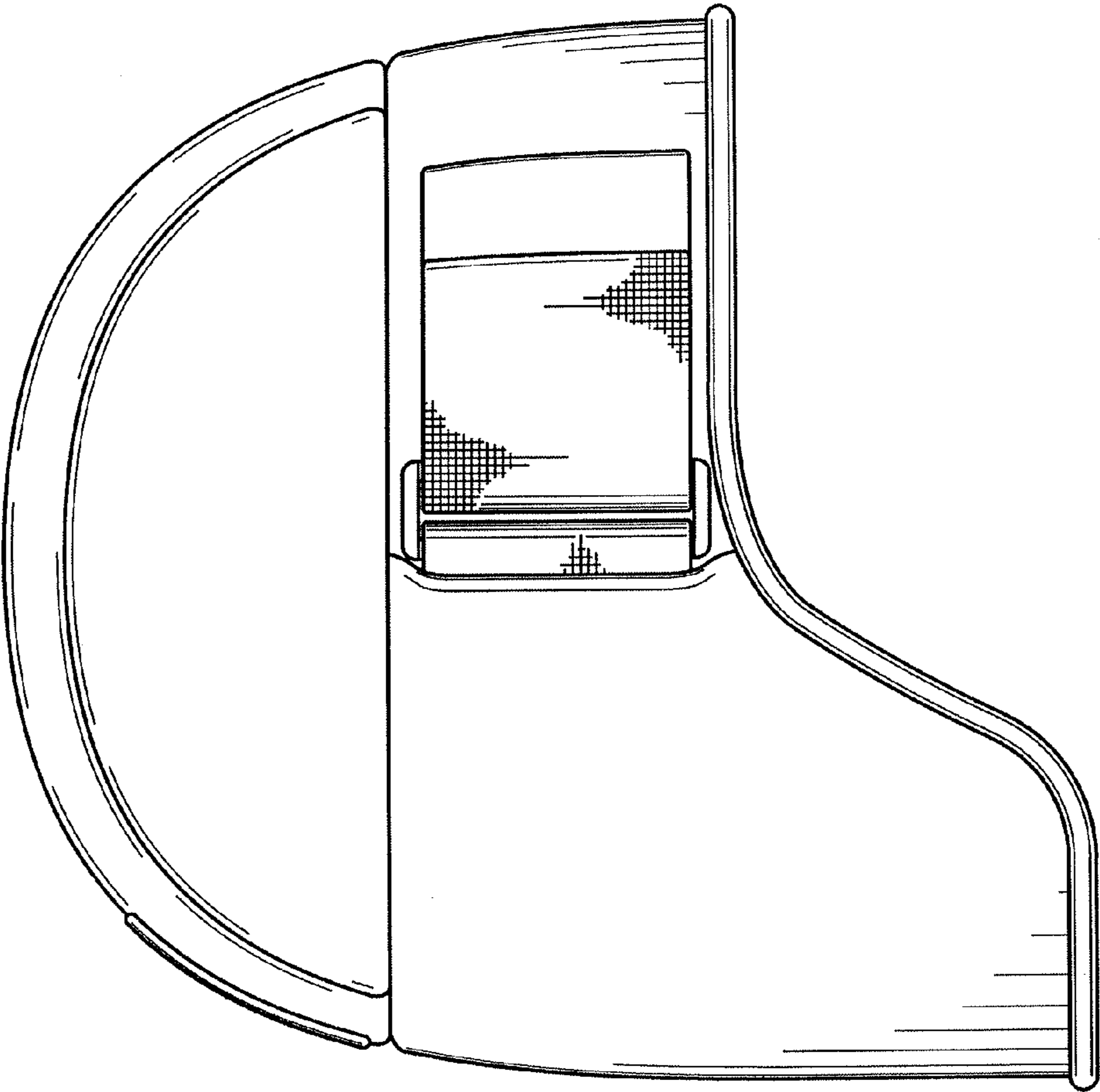


FIG. 5

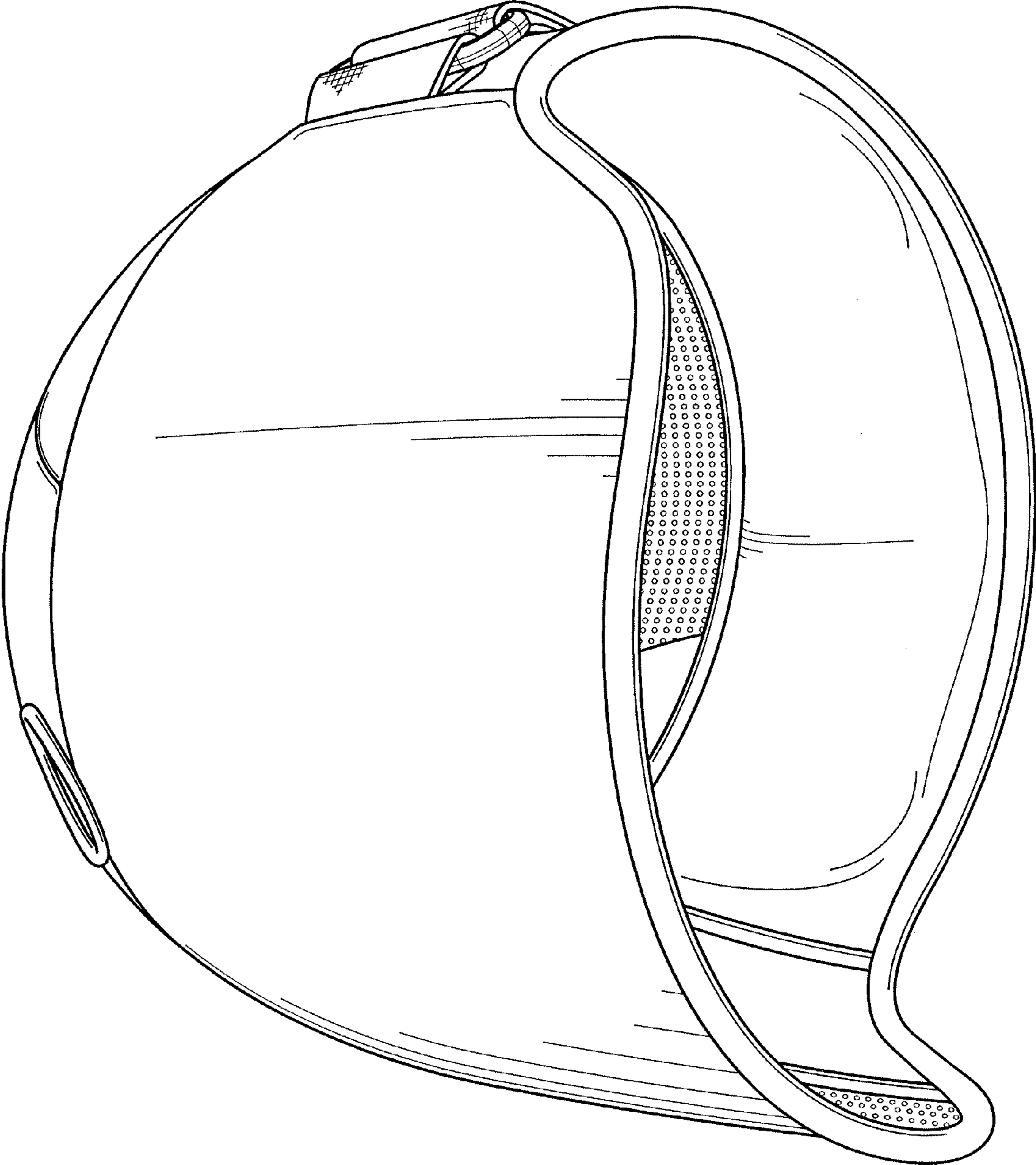


FIG. 6