



US00D679860S

(12) **United States Design Patent**
Maxik et al.

(10) **Patent No.:** **US D679,860 S**
(45) **Date of Patent:** **** Apr. 9, 2013**

(54) **CONFIGURABLE LINEAR LIGHT**

(75) Inventors: **Fredric S. Maxik**, Indialantic, FL (US);
Addy S. Widjaja, Palm Bay, FL (US);
Mark Andrew Oostdyk, Cape
Canaveral, FL (US); **Robert R. Soler**,
Cocoa Beach, FL (US); **David E.**
Bartine, Cocoa, FL (US)

(73) Assignee: **Lighting Science Group Corporation**,
Satellite Beach, FL (US)

(**) Term: **14 Years**

(21) Appl. No.: **29/419,301**

(22) Filed: **Apr. 26, 2012**

(51) **LOC (9) Cl.** **26-99**

(52) **U.S. Cl.** **D26/141**

(58) **Field of Classification Search** D26/118,
D26/124, 120, 122, 119, 128, 138, 145, 155,
D26/1, 2, 113, 121, 123, 72, 73, 74, 75, 76,
D26/77, 78, 79, 62, 64, 68, 69, 85, 86, 88,
D26/125, 129, 135, 136, 139, 140, 141, 142,
D26/143, 144, 152, 153, 148, 149, 150, 151,
D26/154, 156, 61, 54, 52, 24, 25, 26, 28,
D26/42, 45, 53, 55, 81, 82, 83, 84, 60, 63,
D26/87, 37, 35, 36; 362/294, 307, 249.01–249.12,
362/549, 345, 225, 364, 326, 362, 363, 147,
362/148, 149, 223, 224, 555, 556, 218, 331,
362/613, 620, 97.1–97.3; D13/179, 180

See application file for complete search history.

(56) **References Cited**

U.S. PATENT DOCUMENTS

D329,707 S * 9/1992 Embree et al. D25/119

(Continued)

Primary Examiner — Kevin Rudzinski

(74) *Attorney, Agent, or Firm* — Mark R. Malek, Esq.; Zies
Widerman & Malek

(57) **CLAIM**

The ornamental design for a configurable linear light, as shown and described.

DESCRIPTION

FIG. 1 is a perspective view of a configurable linear light fixture according to a first embodiment of the present invention.

FIG. 2 is an exploded perspective view of the configurable linear light fixture illustrated in FIG. 1.

FIG. 3 is a front elevation view of the configurable linear light fixture illustrated in FIG. 1.

FIG. 4 is a rear elevation view of the configurable linear light fixture illustrated in FIG. 1.

FIG. 5 is a right side elevation view of the configurable linear light fixture illustrated in FIG. 1.

FIG. 6 is a left side elevation view of the configurable linear light fixture illustrated in FIG. 1.

FIG. 7 is a top plan view of the configurable linear light fixture illustrated in FIG. 1.

FIG. 8 is a bottom plan view of the configurable linear light fixture illustrated in FIG. 1.

The broken lines shown in FIGS. 1-8 are directed to a power source and form no part of the claimed design.

FIG. 9 is a perspective view of a second embodiment of a configurable linear light fixture according to the present invention.

FIG. 10 is an exploded perspective view of the configurable linear light fixture illustrated in FIG. 9.

FIG. 11 is a front elevation view of the configurable linear light fixture illustrated in FIG. 9.

FIG. 12 is a right side elevation view of the configurable linear light fixture illustrated in FIG. 9.

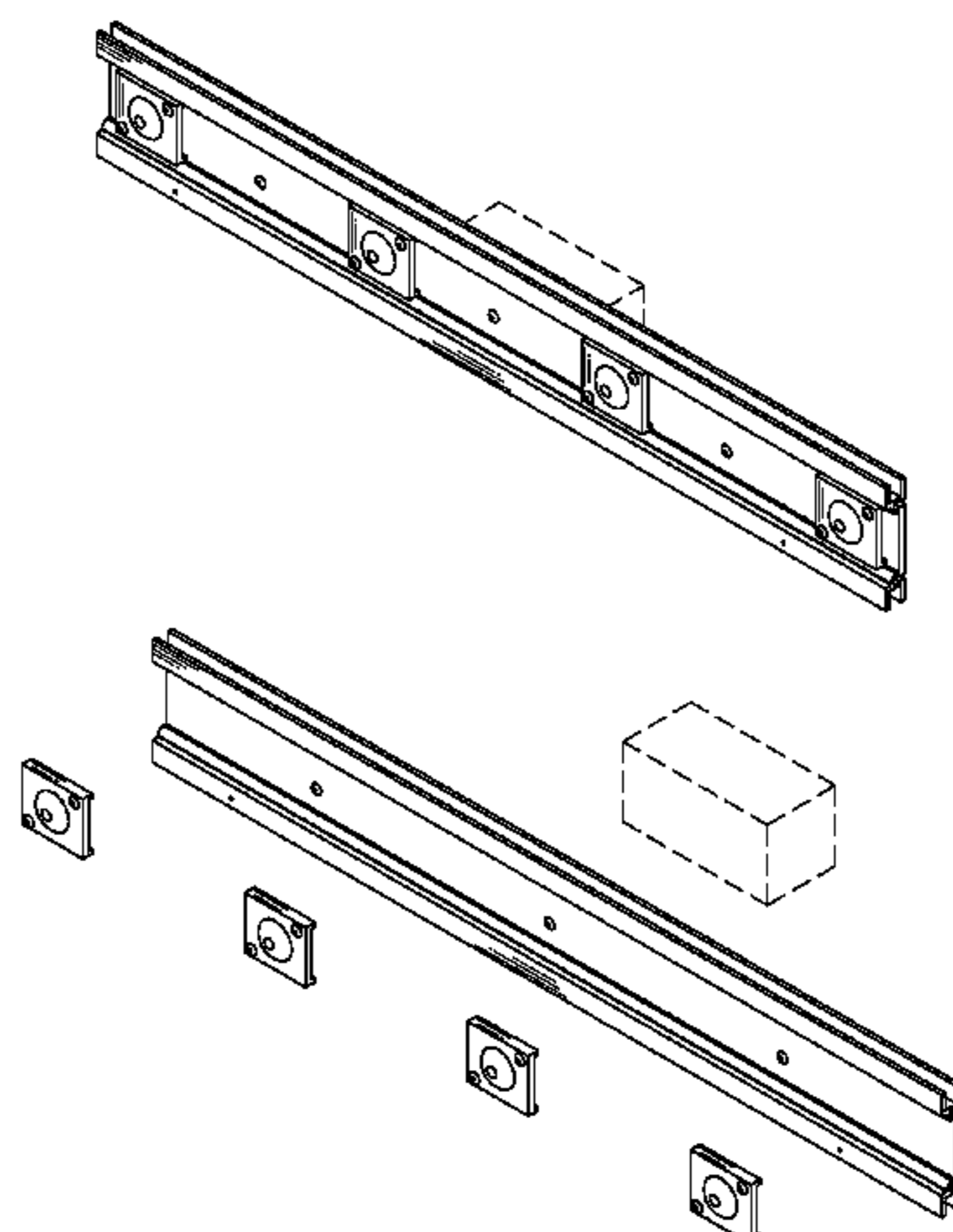
FIG. 13 is a left side elevation view of the configurable linear light fixture illustrated in FIG. 9.

FIG. 14 is a top plan view of the configurable linear light fixture illustrated in FIG. 9; and,

FIG. 15 is a bottom plan view of the configurable linear light fixture illustrated in FIG. 9.

The broken lines shown in FIGS. 9-15 are directed to a power source and light emitting diodes, and form no part of the claimed design.

1 Claim, 6 Drawing Sheets



(56)

References Cited

U.S. PATENT DOCUMENTS

D418,936 S *	1/2000	Dunning	D26/76	7,815,341 B2 *	10/2010	Stedly et al.	362/294
D506,274 S *	6/2005	Moriyama et al.	D26/3	D635,290 S *	3/2011	Hsu et al.	D26/79
D532,544 S *	11/2006	Woertler	D26/80	7,926,985 B2 *	4/2011	Teng et al.	362/373
7,152,999 B2 *	12/2006	Lin	362/249.06	7,936,561 B1 *	5/2011	Lin	361/679.54
7,331,689 B2 *	2/2008	Chen	362/240	D647,246 S *	10/2011	Chadwick	D26/138
D565,515 S *	4/2008	Chen	D13/180	D662,653 S *	6/2012	Hochman	D26/138
D568,500 S *	5/2008	Uemoto et al.	D26/24	D669,211 S *	10/2012	Larson	D26/138
D581,080 S *	11/2008	Mier-Langner	D26/72	2003/0174517 A1 *	9/2003	Kiraly et al.	362/555
D582,576 S *	12/2008	Liao et al.	D26/2	2006/0092637 A1 *	5/2006	Yeh	362/249
7,513,639 B2 *	4/2009	Wang	362/218	2008/0192462 A1 *	8/2008	Stedly et al.	362/218
D603,079 S *	10/2009	Toot et al.	D26/76	2008/0285264 A1 *	11/2008	Whitehouse et al.	362/217
					2010/0027266 A1 *	2/2010	Tsai et al.	362/267
					2010/0103657 A1 *	4/2010	Teng et al.	362/223

* cited by examiner

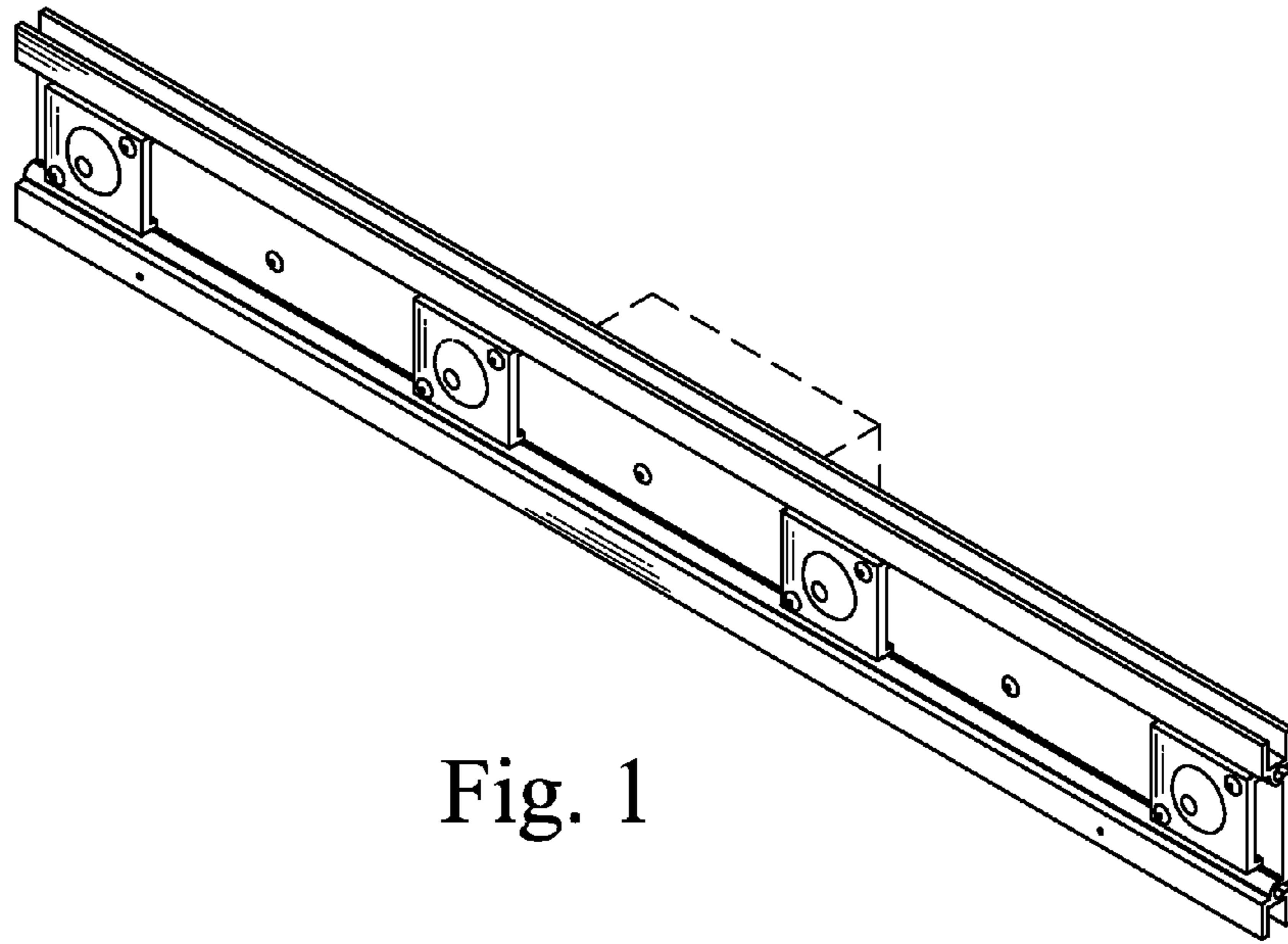


Fig. 1

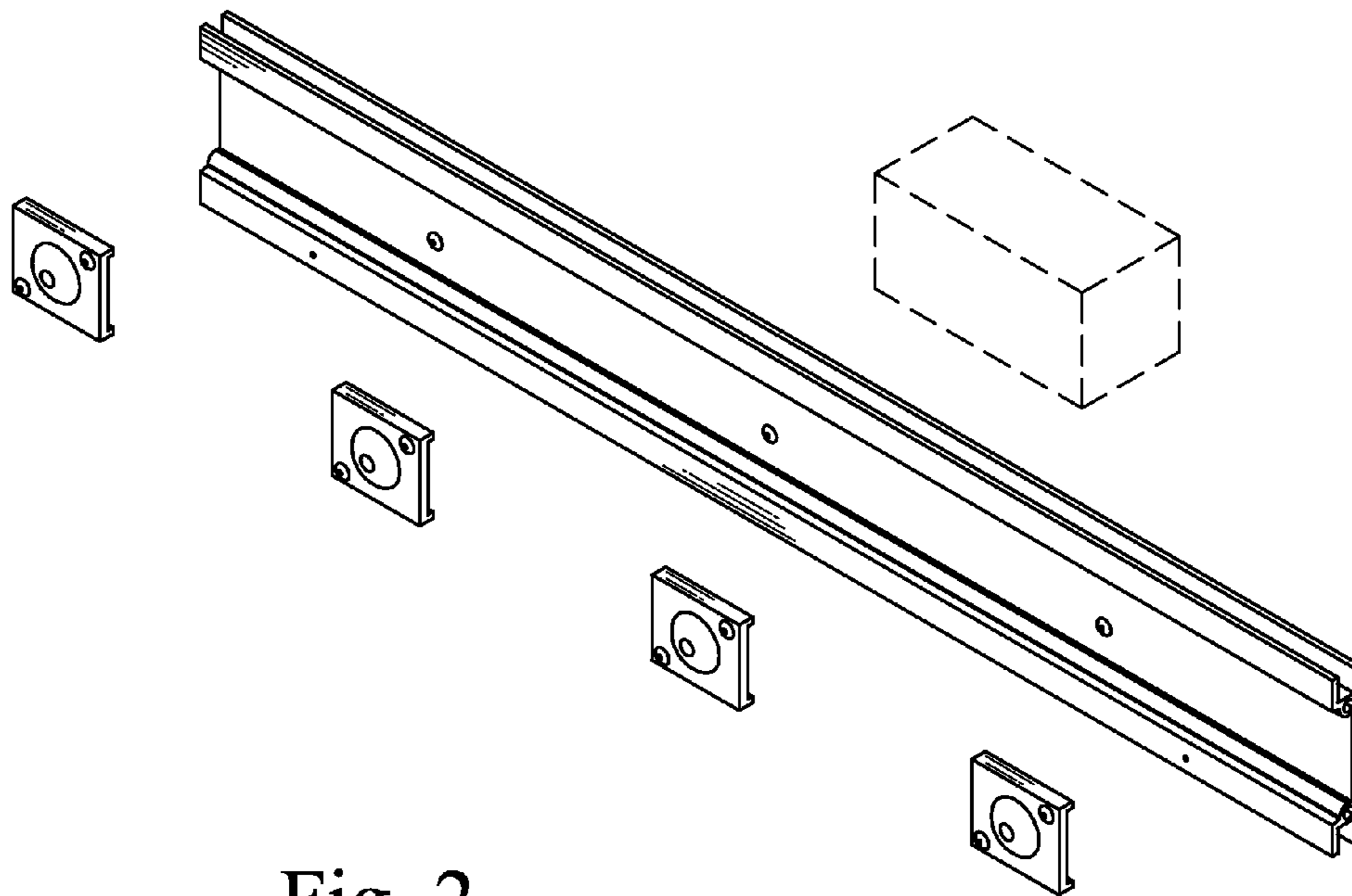


Fig. 2

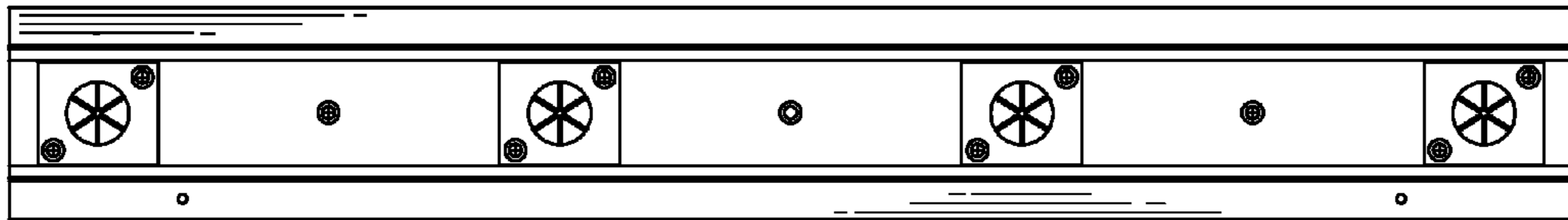


Fig. 3

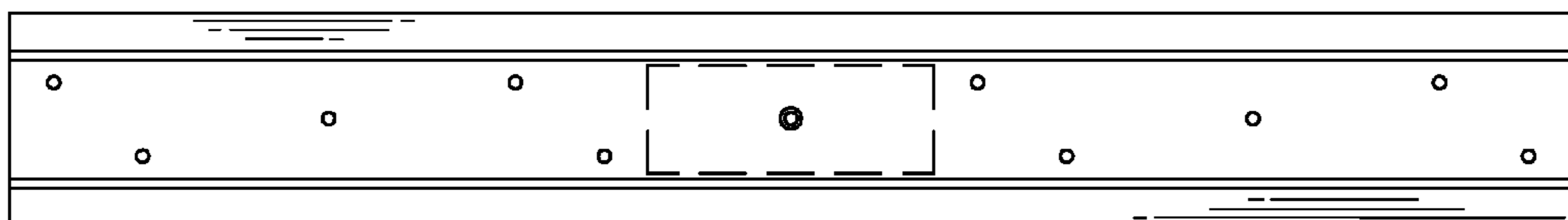


Fig. 4

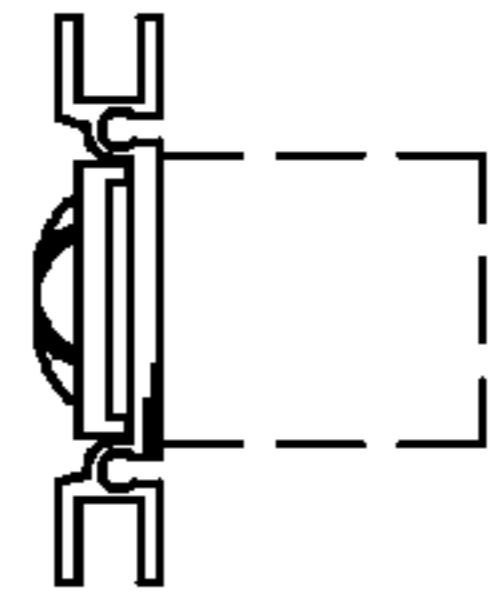


Fig. 5

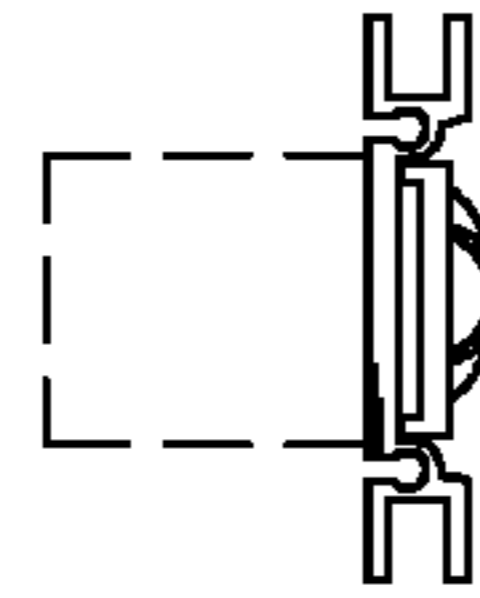


Fig. 6

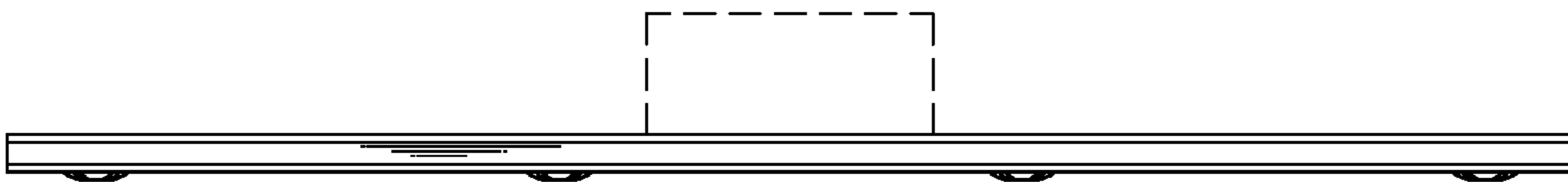


Fig. 7



Fig. 8

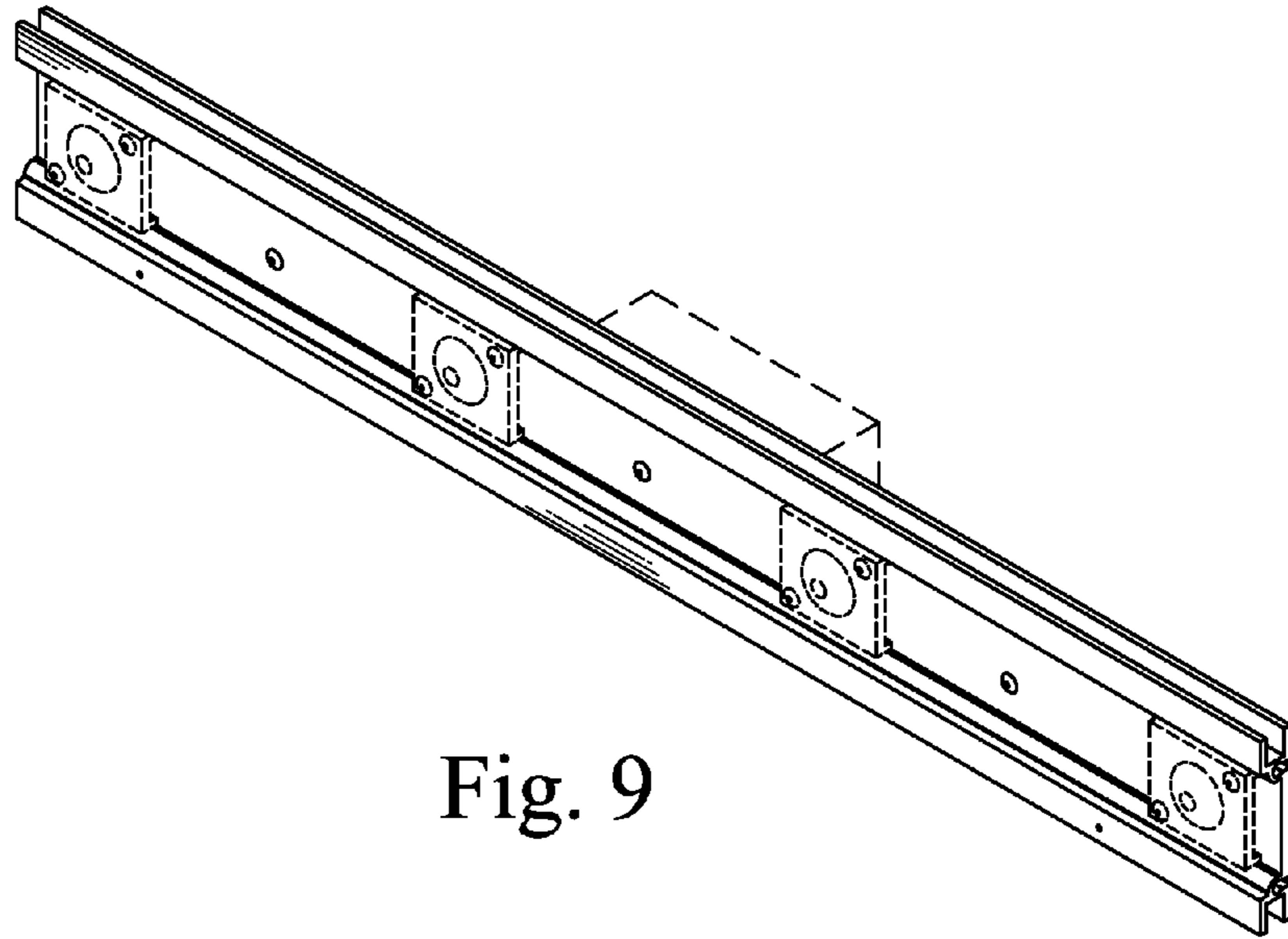


Fig. 9

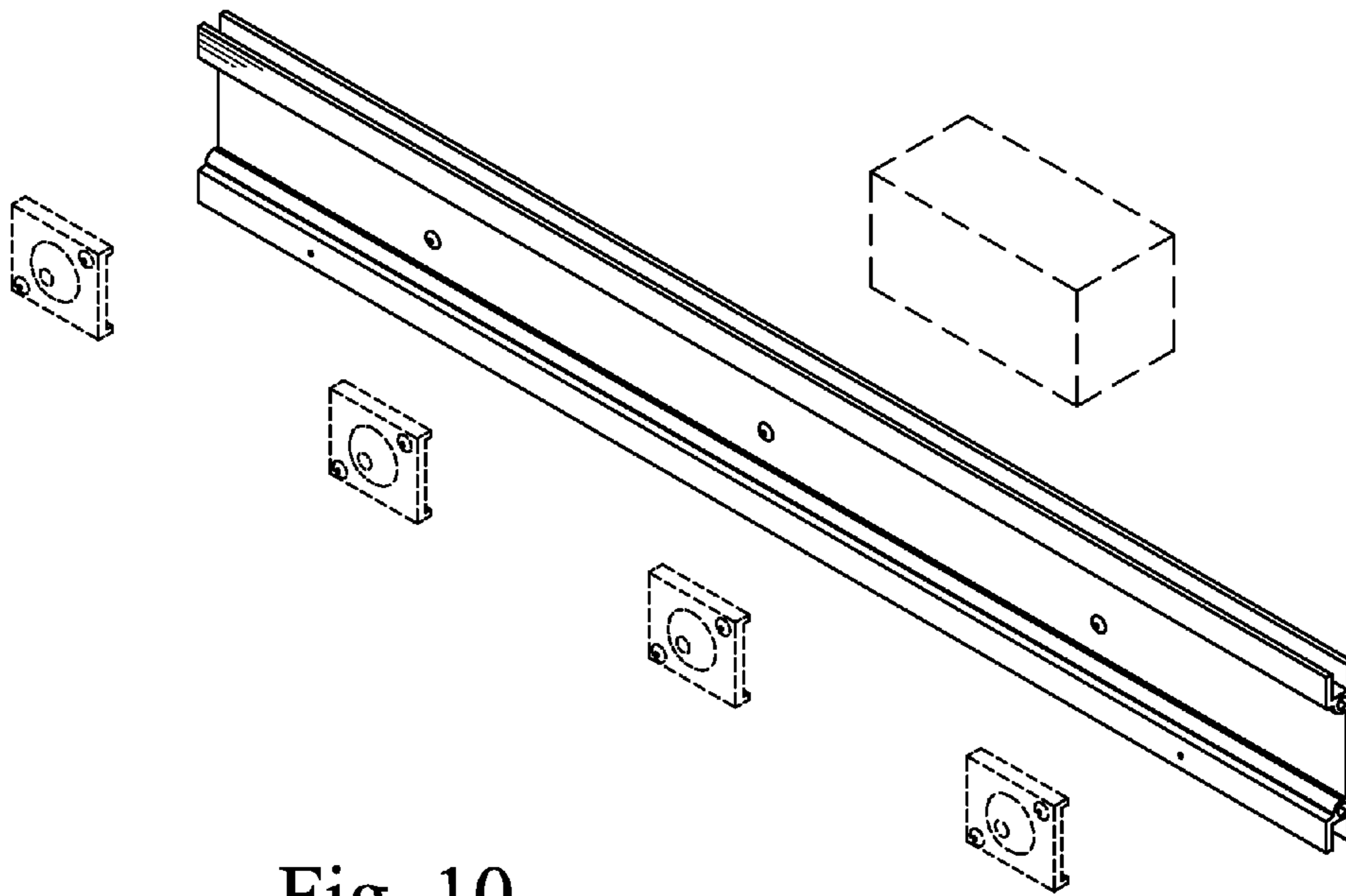


Fig. 10

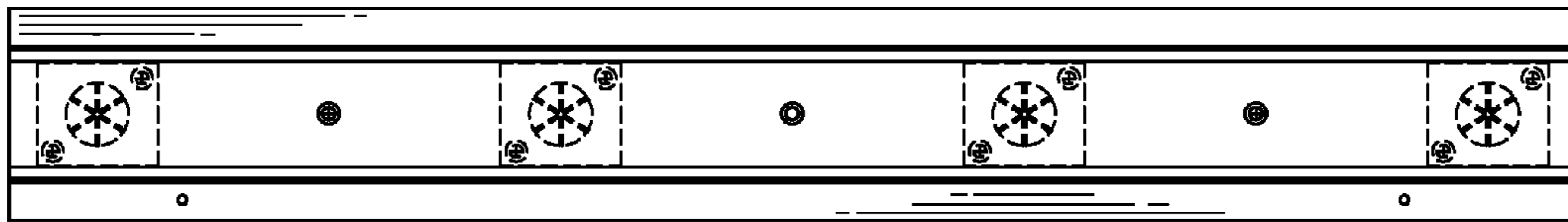


Fig. 11

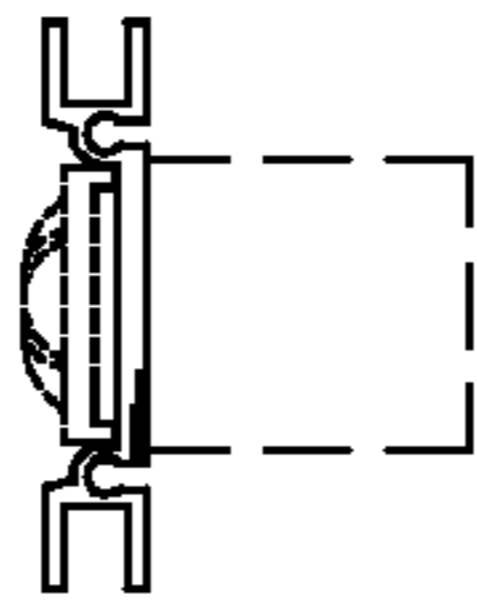


Fig. 12

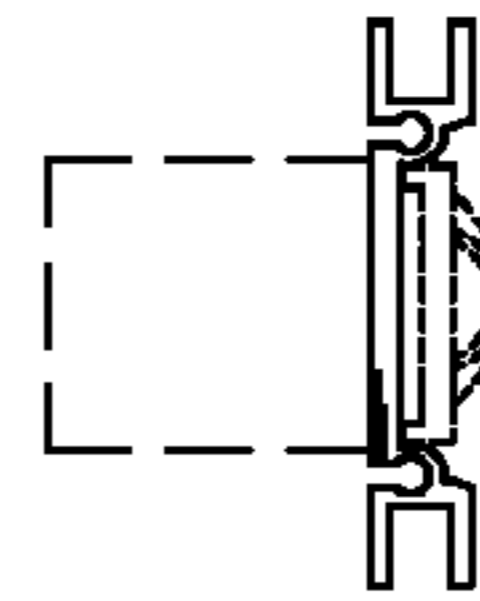


Fig. 13

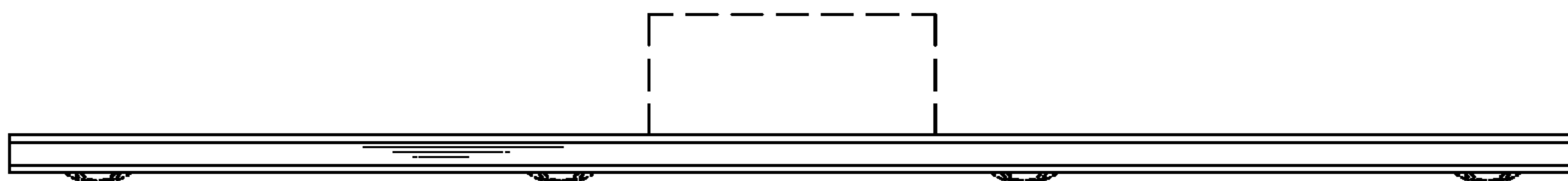


Fig. 14



Fig. 15