



US00D679855S

(12) **United States Design Patent**
Nigro

(10) **Patent No.:** **US D679,855 S**

(45) **Date of Patent:** **** Apr. 9, 2013**

(54) **STANDARD LAMP**

(75) Inventor: **Philippe Nigro**, Milan (IT)

(73) Assignee: **Roset S.A.** (FR)

(**) Term: **14 Years**

(21) Appl. No.: **29/397,193**

(22) Filed: **Jul. 13, 2011**

(30) **Foreign Application Priority Data**

Jan. 17, 2011 (WO) DM/075 403

(51) **LOC (9) Cl.** **26-03**

(52) **U.S. Cl.** **D26/106; D26/93**

(58) **Field of Classification Search** D26/1,
D26/24, 67, 93-94, 104-112; 362/3, 153,
362/186, 217, 255, 257, 277, 317, 351, 353,
362/362, 363, 382, 431, 433, 458, 806

See application file for complete search history.

(56) **References Cited**

U.S. PATENT DOCUMENTS

D165,312 S *	11/1951	Versen	D26/102
D373,843 S *	9/1996	Sonneman	D26/106
D385,647 S *	10/1997	Swanson	D26/110
D430,333 S *	8/2000	Campbell	D26/102
D443,100 S *	5/2001	Wu	D26/110
D642,320 S *	7/2011	Eusterbrock	D26/106

* cited by examiner

Primary Examiner — Brian N Vinson

(74) *Attorney, Agent, or Firm* — Cantor Colburn LLP

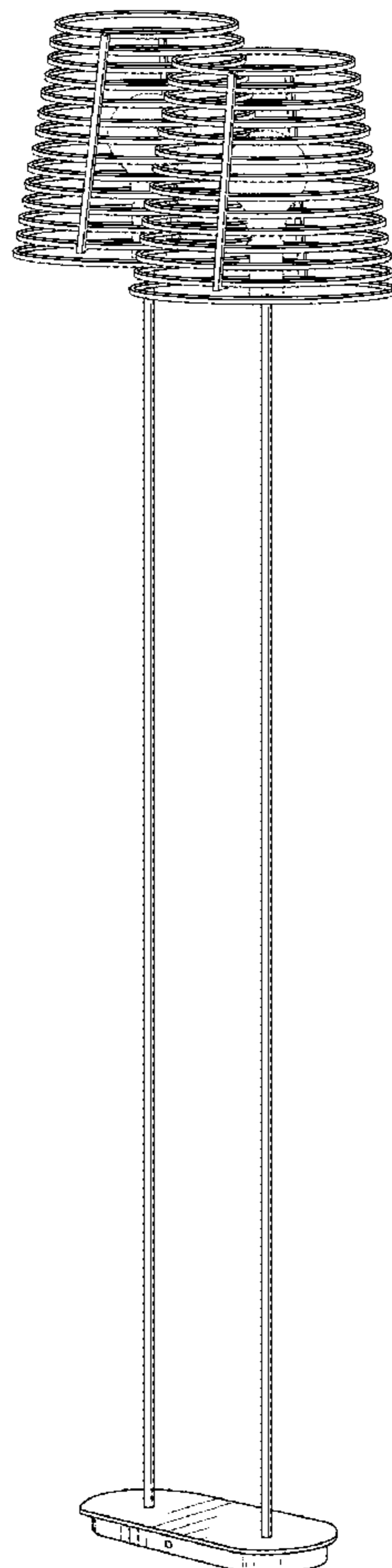
(57) **CLAIM**

I claim the ornamental design for a standard lamp, as shown and described.

DESCRIPTION

FIG. 1 is a front perspective view of a standard lamp, showing my new design;
FIG. 2 is a front view thereof;
FIG. 3 is a side view thereof;
FIG. 4 is a top plan view thereof; and,
FIG. 5 is an underside view thereof.
Elements shown in broken lines are illustrative only and form no part of the claimed design.

1 Claim, 4 Drawing Sheets



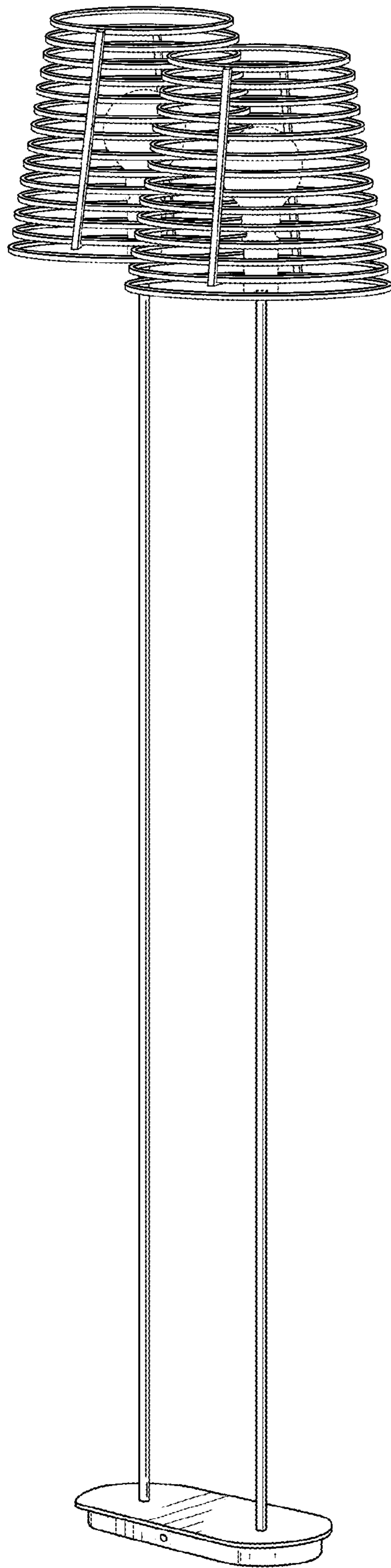


FIG. 1

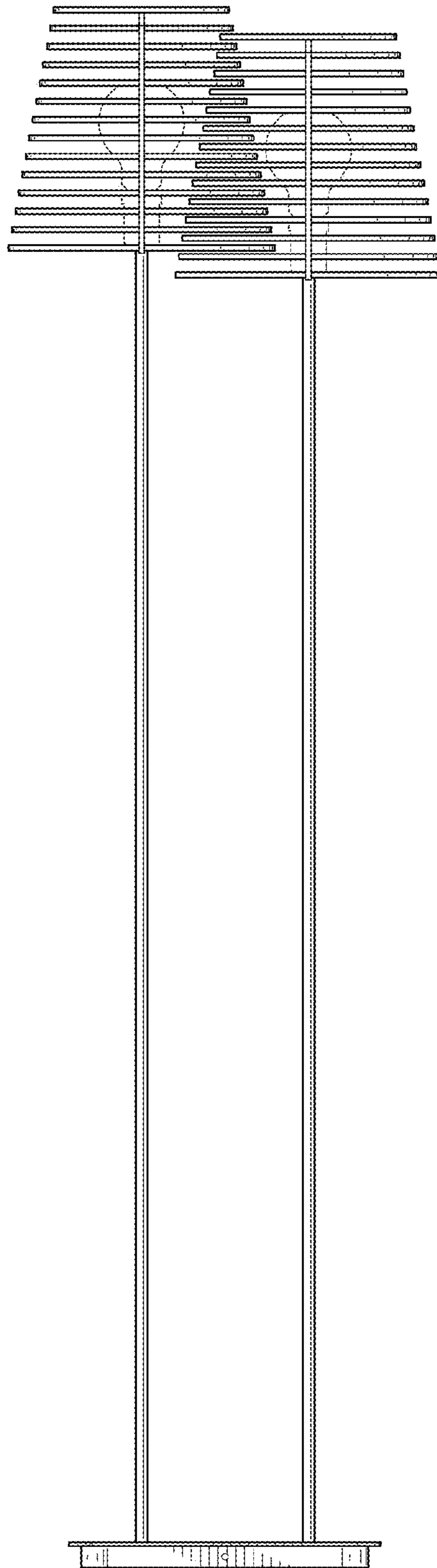


FIG. 2

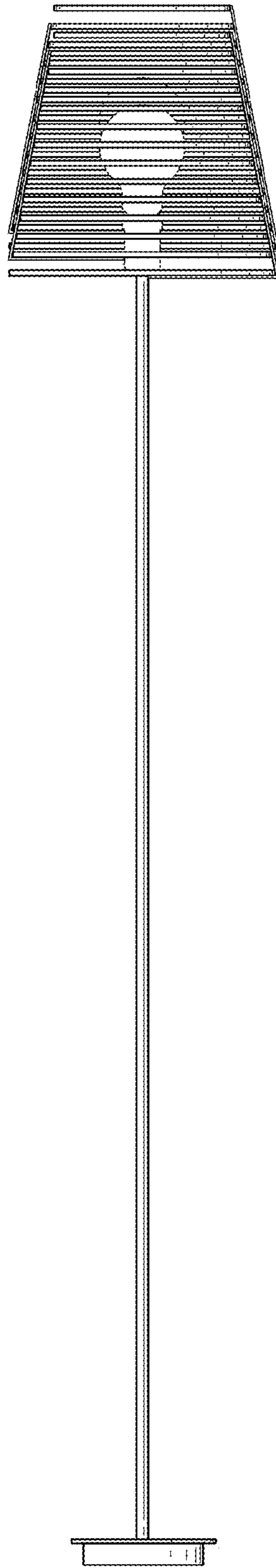


FIG. 3

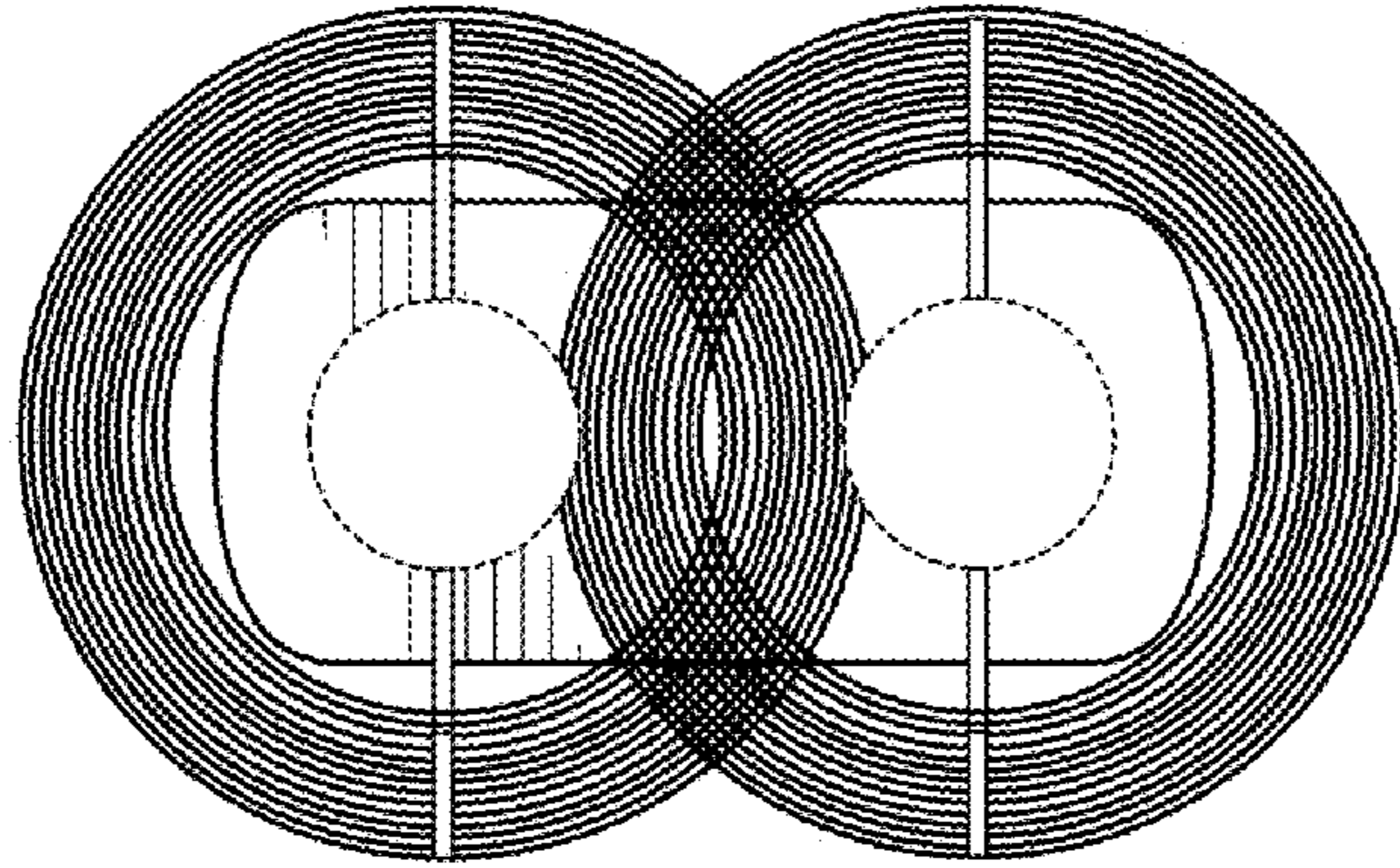


FIG. 4

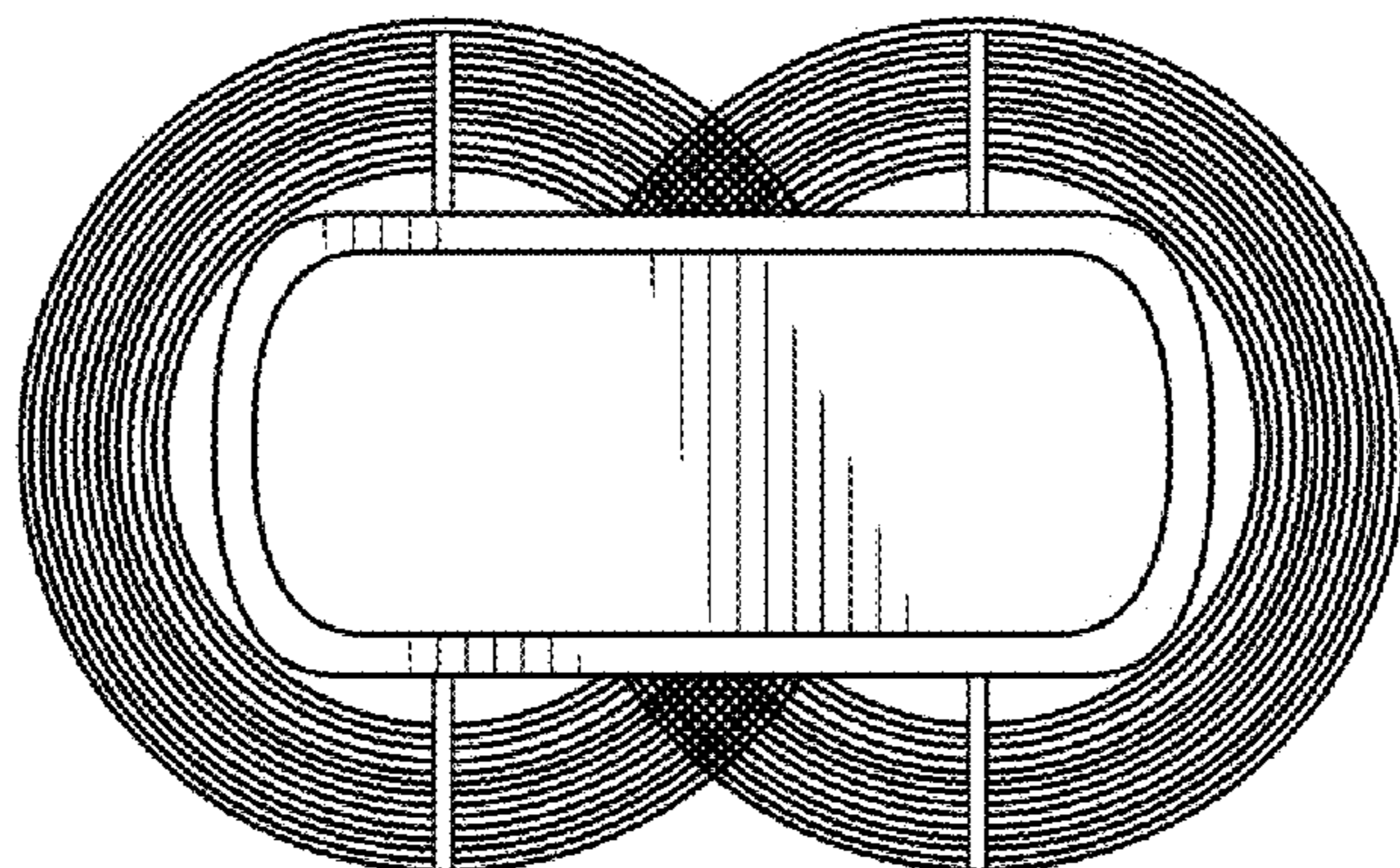


FIG. 5