



US00D679854S

(12) **United States Design Patent**
Sun

(10) **Patent No.:** **US D679,854 S**

(45) **Date of Patent:** **** Apr. 9, 2013**

(54) **ELECTRONIC CANDLE LIGHT**

(76) Inventor: **Ming Sun**, East Brunswick, NJ (US)

(**) Term: **14 Years**

(21) Appl. No.: **29/417,657**

(22) Filed: **Apr. 6, 2012**

(51) **LOC (9) Cl.** **26-03**

(52) **U.S. Cl.** **D26/93**

(58) **Field of Classification Search** D26/1,
D26/24, 67, 93-94, 101, 104-110, 113, 118;
362/3, 153, 186, 217, 255, 257, 277, 317,
362/351, 353, 362, 382, 431, 433, 458, 806,
362/363

See application file for complete search history.

(56) **References Cited**

U.S. PATENT DOCUMENTS

D563,594 S * 3/2008 Held et al. D26/93
D629,150 S * 12/2010 Doulobakas D26/93
D650,511 S * 12/2011 Hine et al. D26/93

D661,009 S * 5/2012 Bennett et al. D26/93

* cited by examiner

Primary Examiner — Brian N Vinson

(74) *Attorney, Agent, or Firm* — Michael J. Feigin, Esq.;
Feigin & Associates, LLC

(57) **CLAIM**

The ornamental design for the electronic candle light, as shown and described.

DESCRIPTION

FIG. 1 shows a top perspective view of the electronic candle light.

FIG. 2 shows a bottom perspective view of the electronic candle light.

FIG. 3 shows a side view of the electronic candle light, the other side views being identical.

FIG. 4 shows a top plan view of the electronic candle light.

FIG. 5 shows a bottom plan view of the electronic candle light; and,

FIG. 6 shows a vertical cross-sectional view of the electronic candle light, taken through the center of FIG. 4.

1 Claim, 6 Drawing Sheets

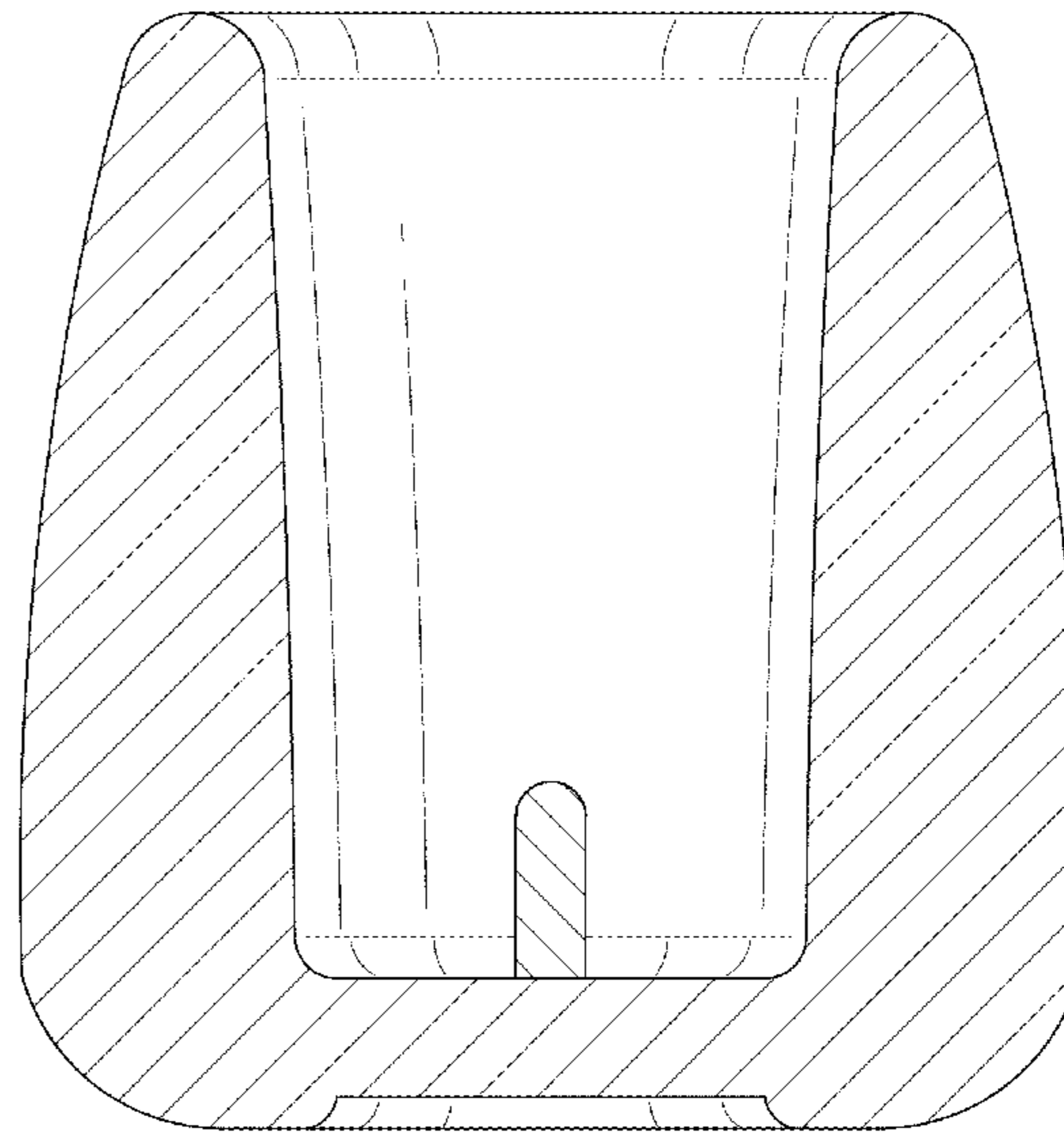
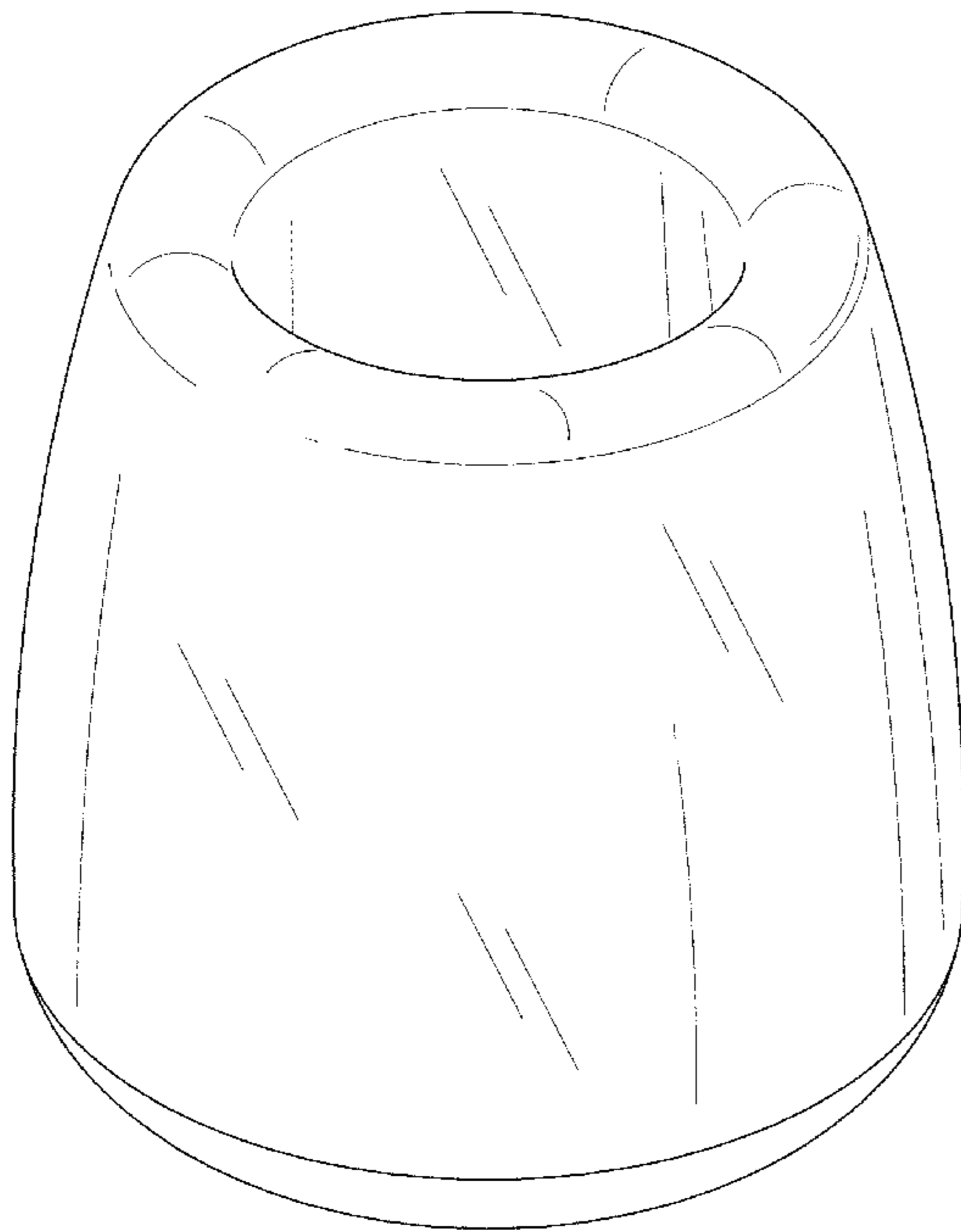




FIG. 1

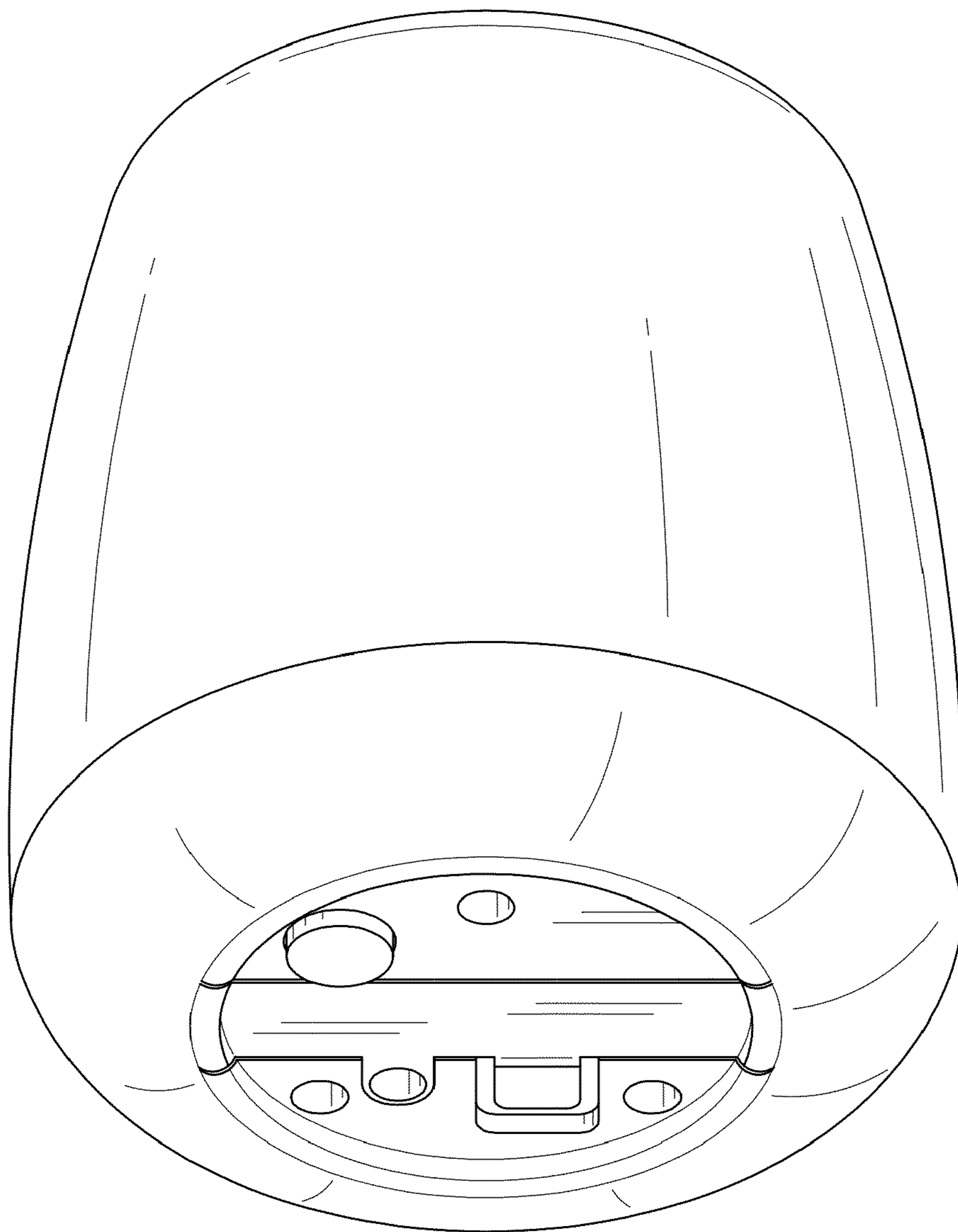


FIG. 2

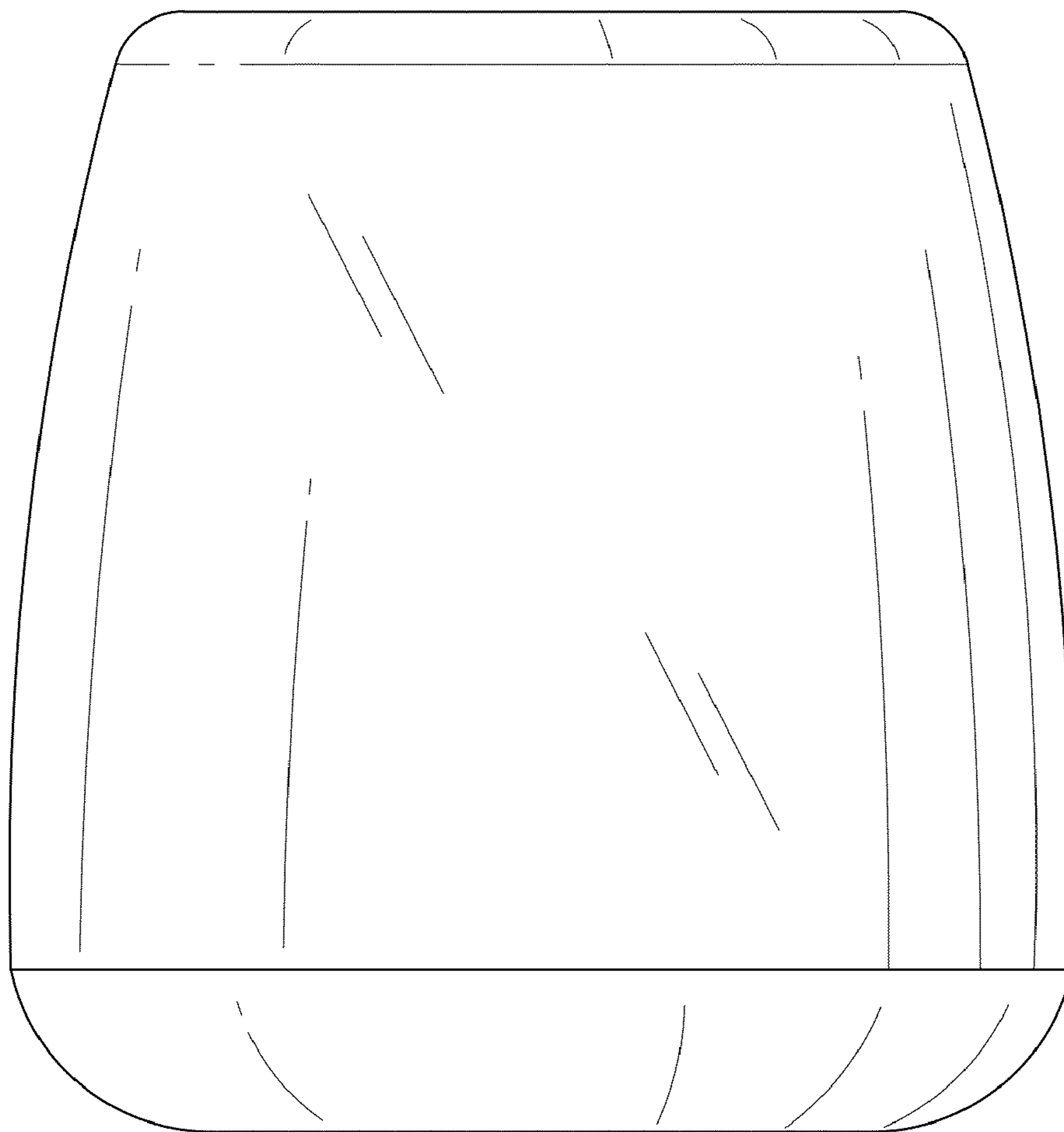


FIG. 3

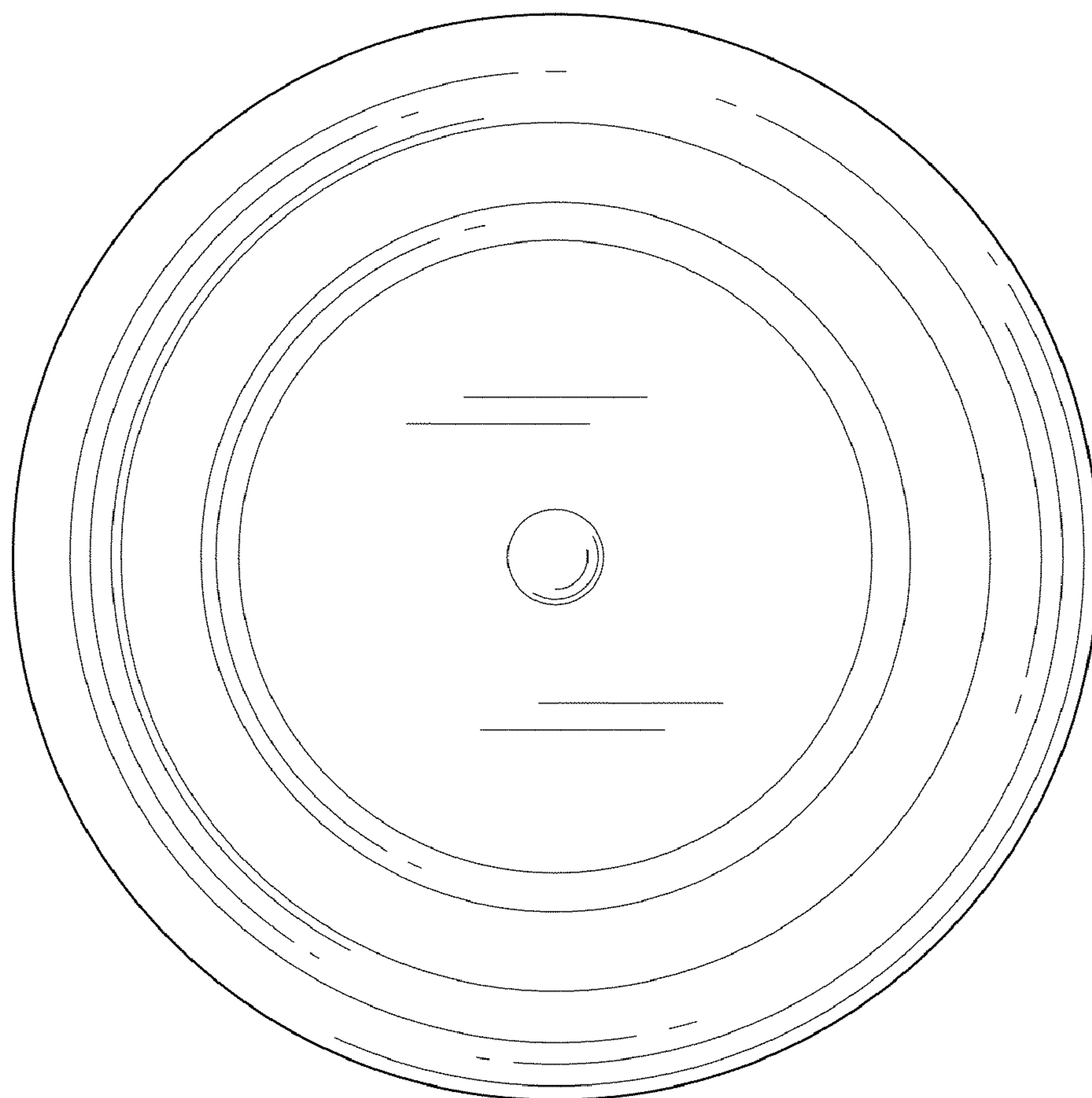


FIG. 4

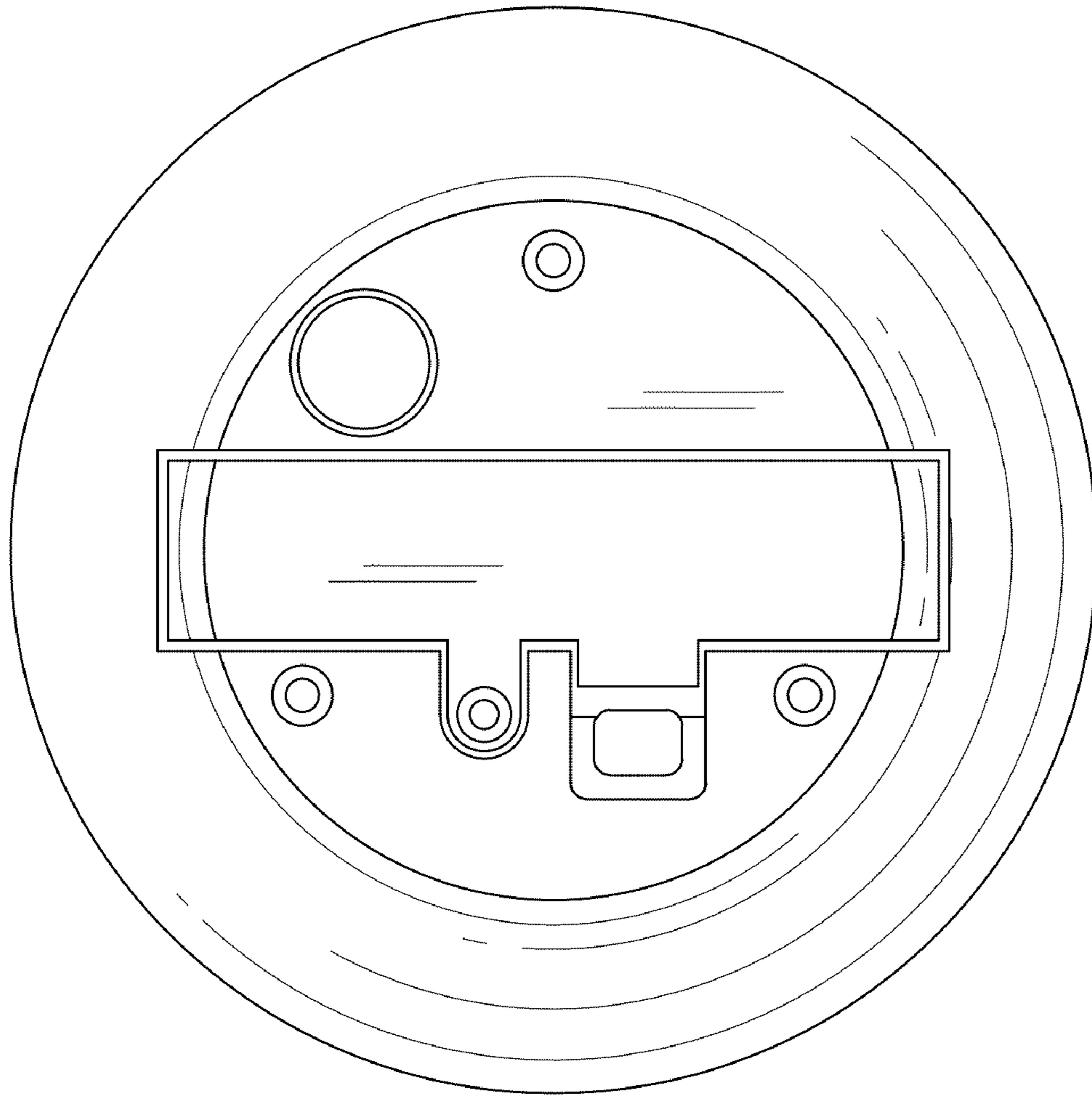


FIG. 5

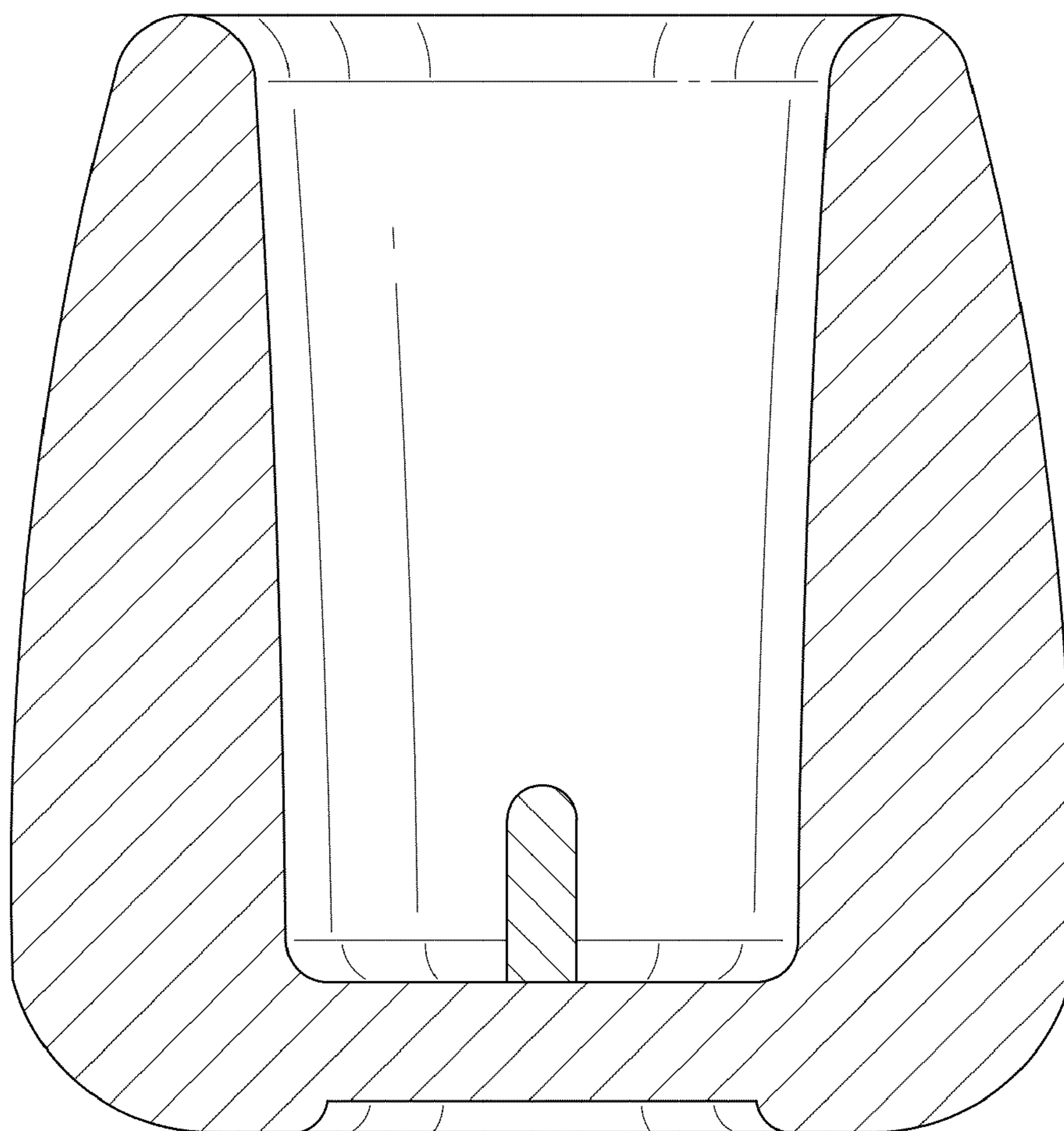


FIG. 6