



US00D679849S

(12) **United States Design Patent**
Ham

(10) **Patent No.:** **US D679,849 S**

(45) **Date of Patent:** **** Apr. 9, 2013**

(54) **TUNNEL LIGHT**

(75) Inventor: **Richard K. Ham**, Irvine, CA (US)

(73) Assignee: **U.S. Energy Technologies, Inc.**, Irvine, CA (US)

(**) Term: **14 Years**

(21) Appl. No.: **29/383,816**

(22) Filed: **Jan. 21, 2011**

(51) **LOC (9) Cl.** **26-05**

(52) **U.S. Cl.** **D26/74**

(58) **Field of Classification Search** D26/74,
D26/72, 75, 76, 77, 78, 79, 113, 118, 120,
D26/122, 138, 141, 152, 24, 61, 63, 64, 66;
362/482, 145, 147, 148, 150, 151, 152, 153,
362/153.1, 218, 217.02, 217.03, 217.05,
362/217.07, 217.08, 217.09, 217.1, 217.11,
362/217.14, 217.15, 342, 346, 347, 364,
362/365, 366, 800, 260, 279, 280, 290, 291,
362/292, 294, 296.01, 297, 298, 299, 300,
362/301, 310, 296.07, 311.02, 311.01, 311.09;
D5/54, 58; D13/180

See application file for complete search history.

(56) **References Cited**

U.S. PATENT DOCUMENTS

D297,670 S * 9/1988 Douenias D26/63
D312,886 S * 12/1990 Brown D26/63
D316,306 S * 4/1991 Shemitz D26/85

D333,008 S * 2/1993 Frost et al. D26/63
D372,550 S * 8/1996 Stultz D26/63
D390,992 S * 2/1998 Shemitz D26/63
D493,559 S * 7/2004 Park D26/74
D569,024 S * 5/2008 Redfern D26/74
D579,600 S * 10/2008 Campagna D26/85
D625,870 S * 10/2010 Feigenbaum D26/63
D629,550 S * 12/2010 Sandell D26/63
2008/0239709 A1 * 10/2008 Rapeanu et al. 362/147
2010/0014298 A1 1/2010 Kim
2011/0051410 A1 * 3/2011 Liang 362/235

OTHER PUBLICATIONS

JK Lighting, catalog from www.fjk.com, p. 33.

* cited by examiner

Primary Examiner — Angela J Lee

(74) *Attorney, Agent, or Firm* — Sheppard, Mullin, Richter & Hampton LLP

(57) **CLAIM**

I claim the ornamental design for a tunnel light, as shown and described.

DESCRIPTION

FIG. 1 is a perspective view of a tunnel light embodying my new design.

FIG. 2 is a rear elevational view thereof.

FIG. 3 is a front elevational view thereof.

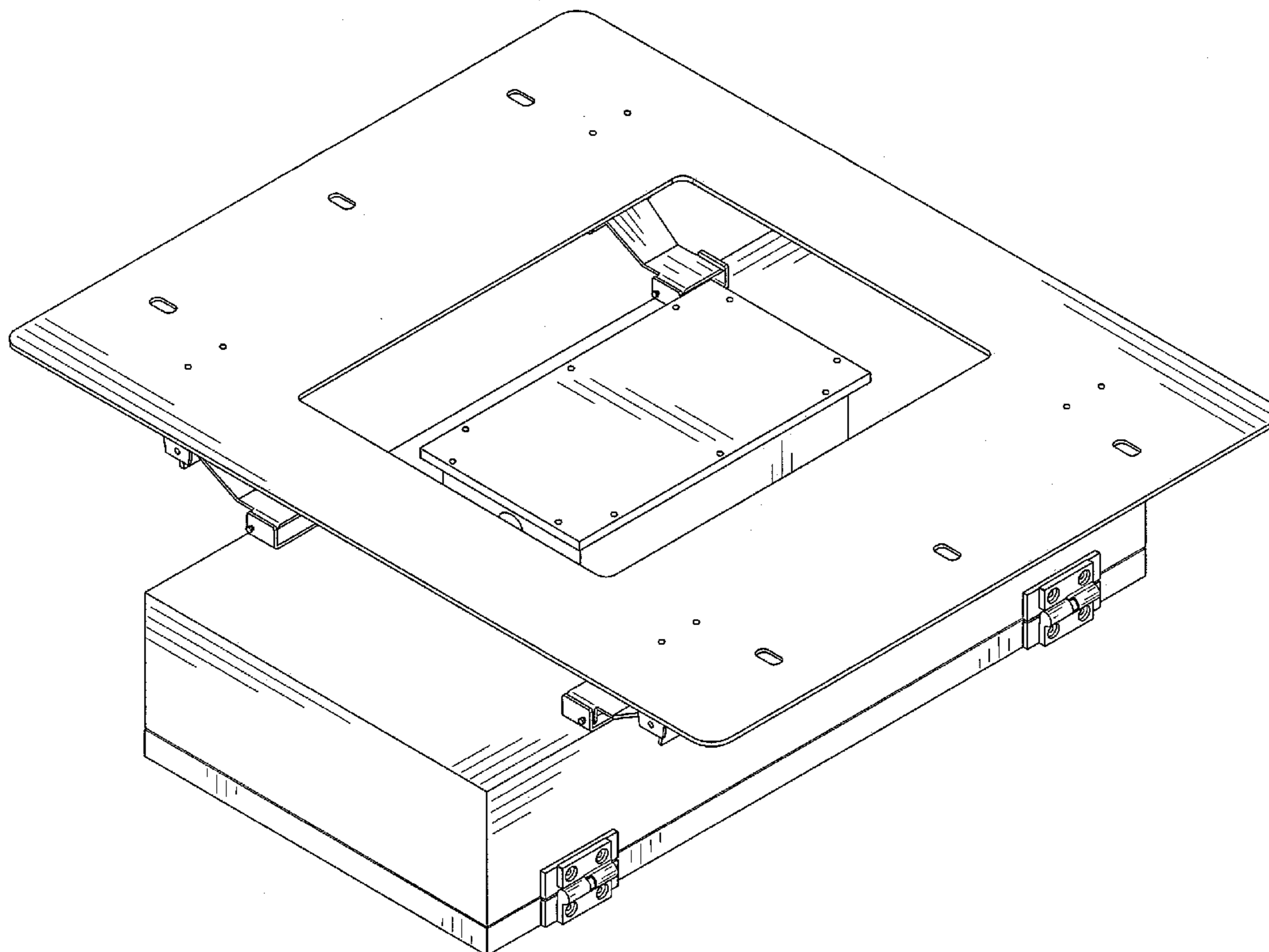
FIG. 4 is a left side elevational view thereof.

FIG. 5 is a right side elevational view thereof.

FIG. 6 is a top plan view thereof; and,

FIG. 7 is a bottom plan view thereof.

1 Claim, 5 Drawing Sheets



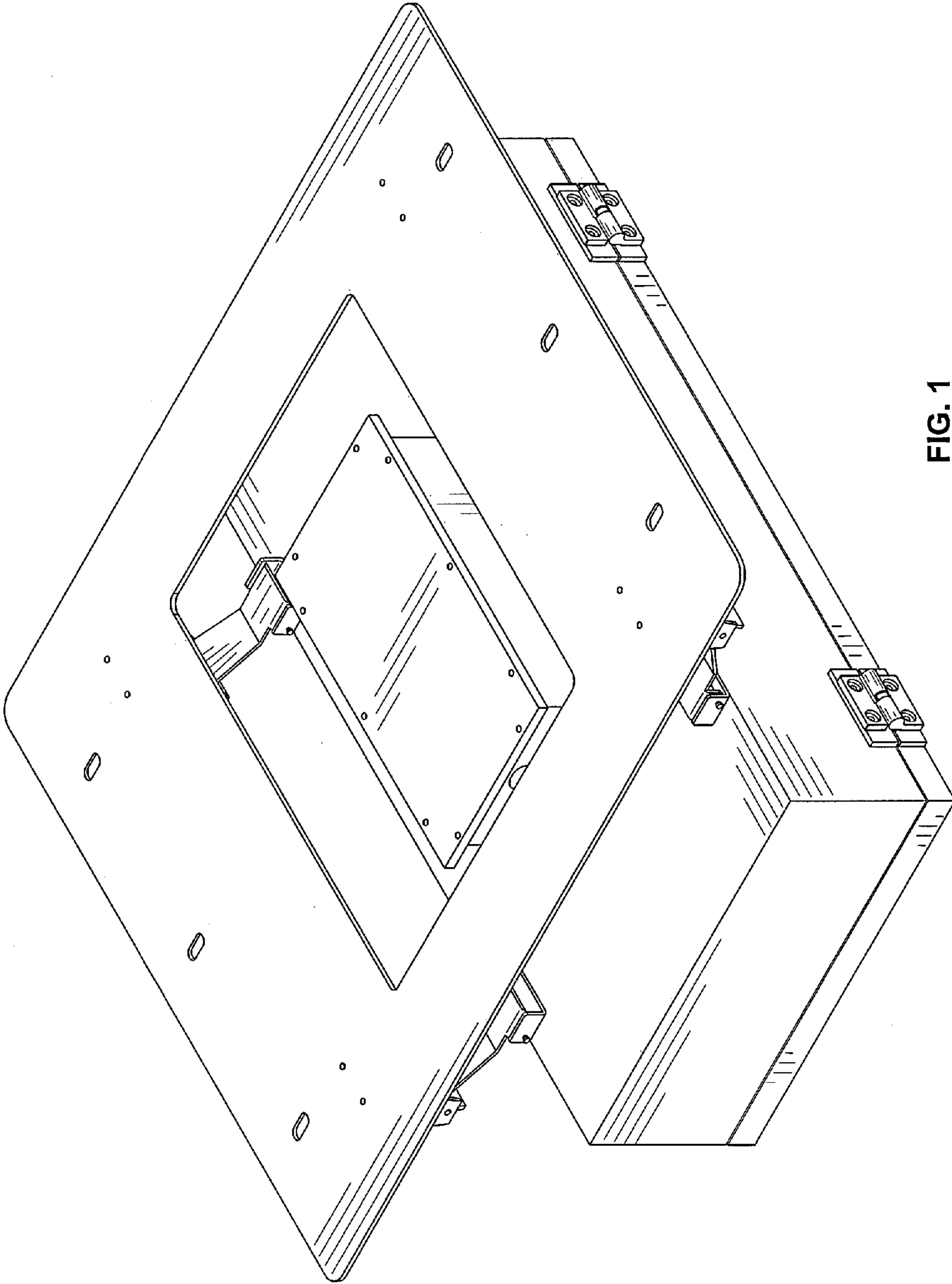


FIG. 1

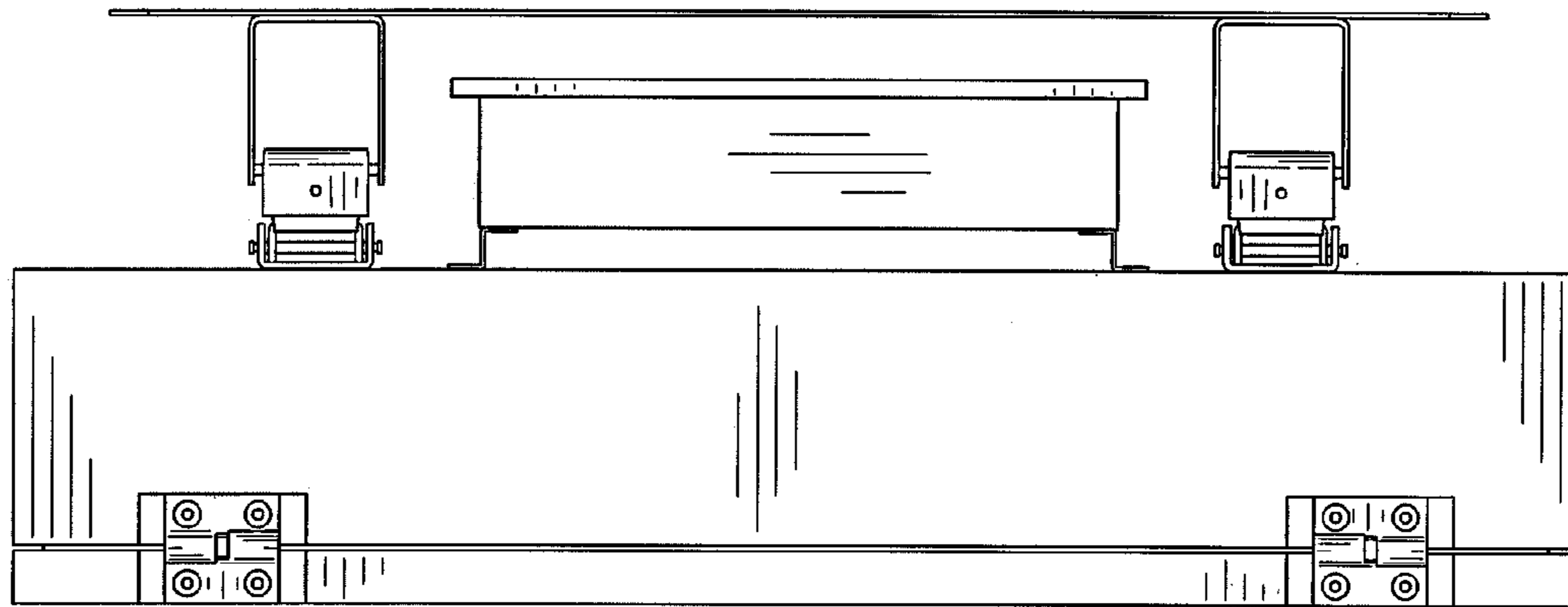


FIG. 2

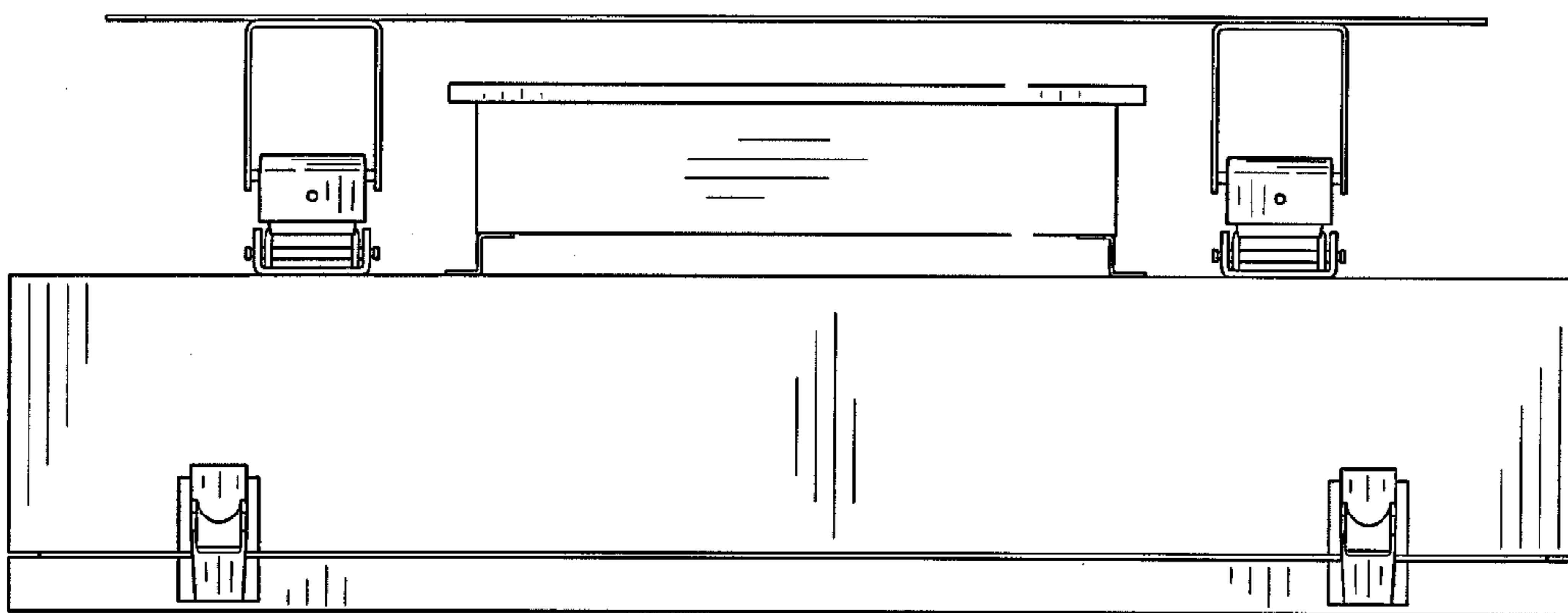


FIG. 3

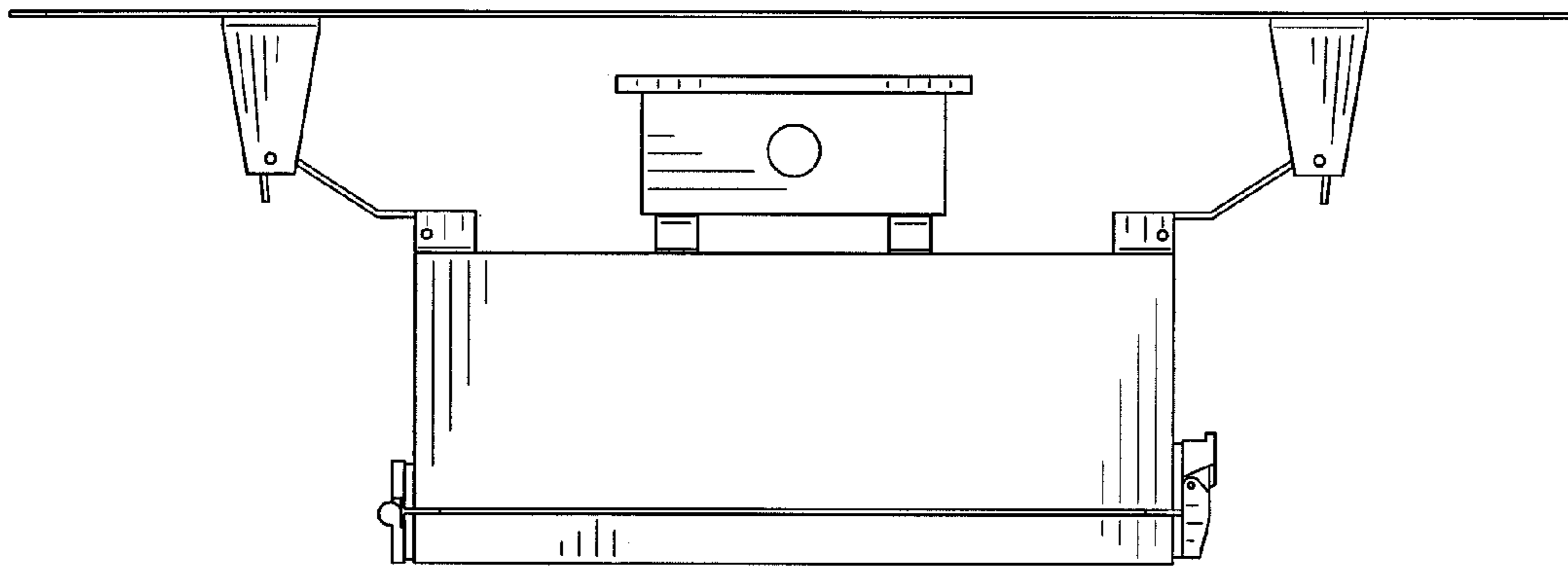


FIG. 4

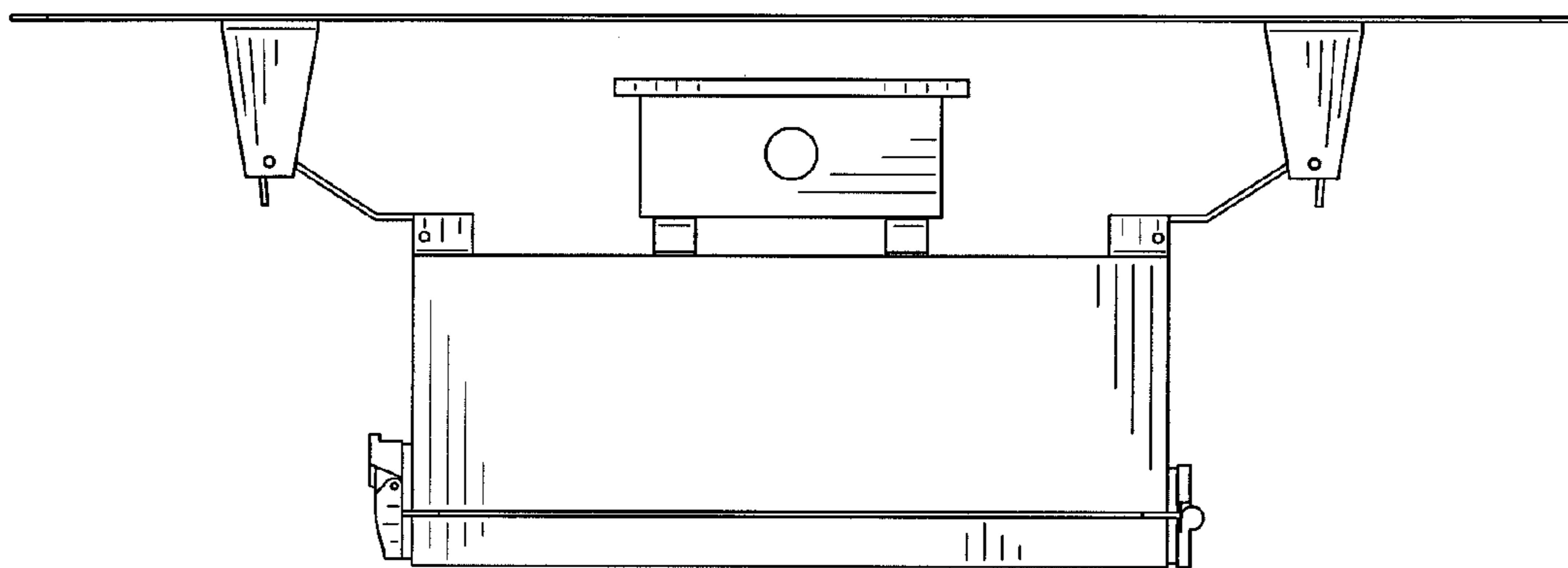


FIG. 5

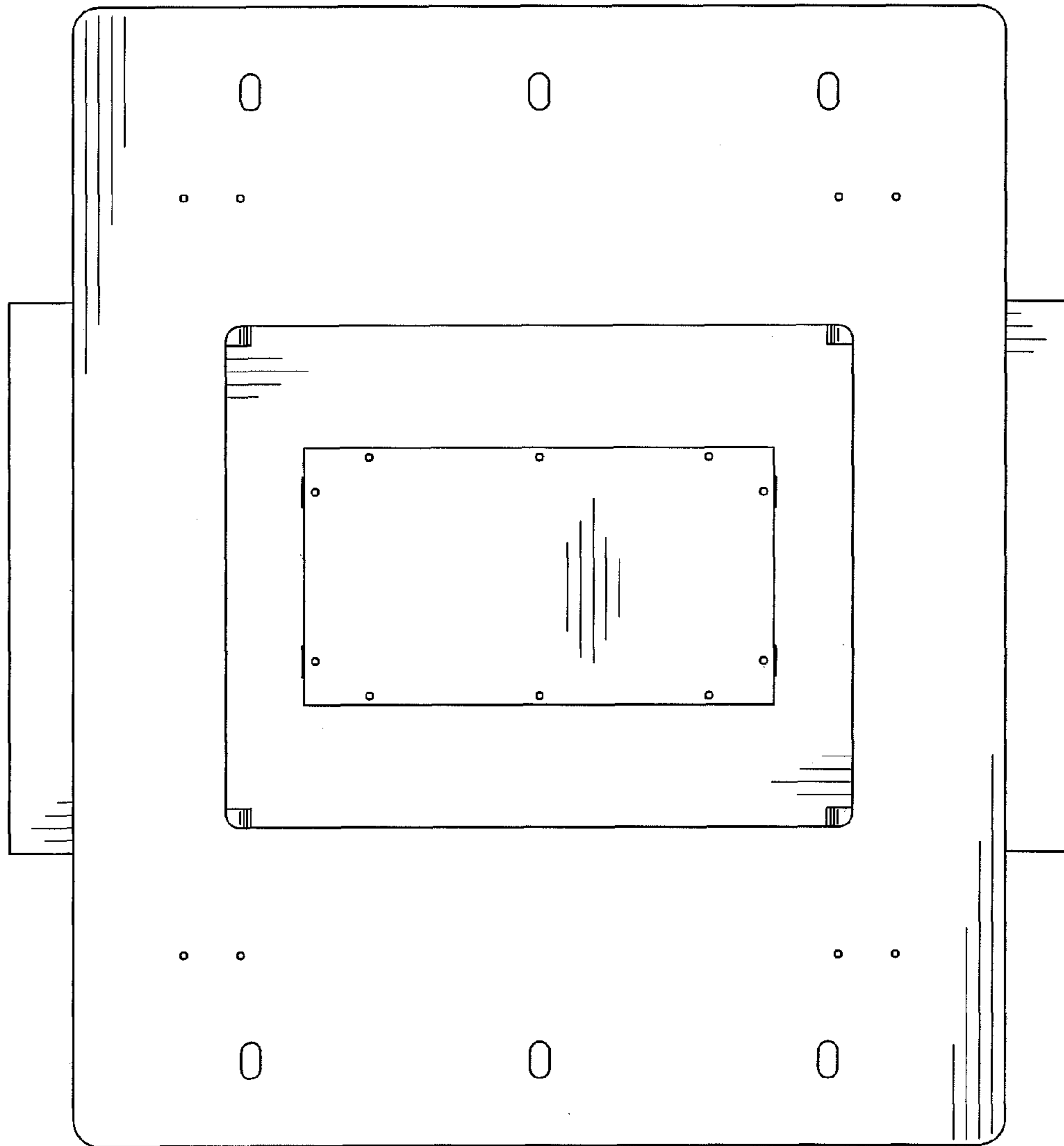


FIG. 6

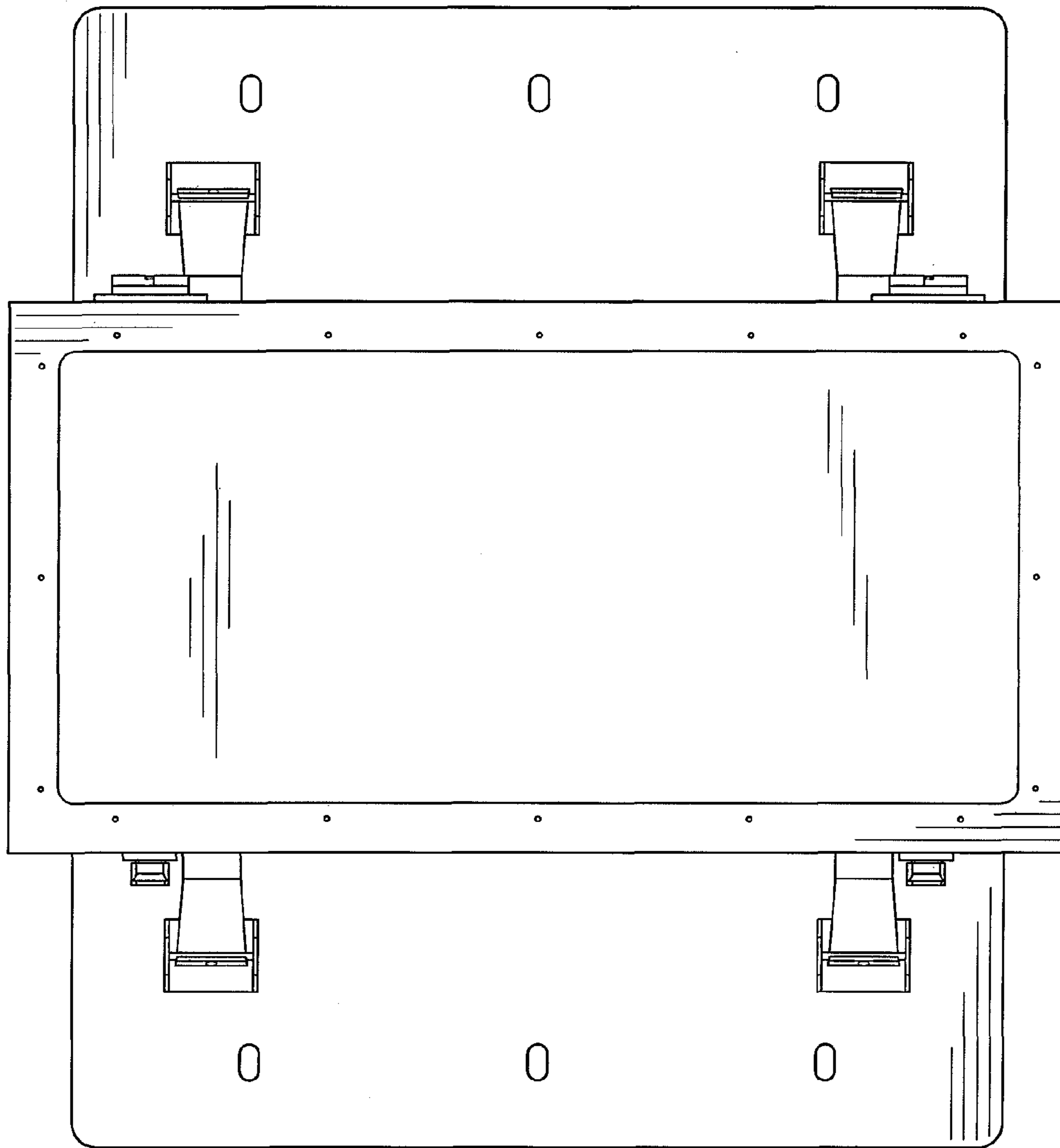


FIG. 7