



US00D679848S

(12) **United States Design Patent**
Pickard et al.

(10) **Patent No.:** **US D679,848 S**

(45) **Date of Patent:** **** Apr. 9, 2013**

(54) **TROFFER-STYLE FIXTURE**

(75) Inventors: **Paul Pickard**, Morrisville, NC (US);
Nick Nguyen, Durham, NC (US); **Mark Edmond**, Raleigh, NC (US); **Jenna Lu**, Cary, NC (US); **Gerald Negley**, Durham, NC (US)

(73) Assignee: **Cree, Inc.**, Durham, NC (US)

(**) Term: **14 Years**

(21) Appl. No.: **29/368,970**

(22) Filed: **Aug. 31, 2010**

(51) **LOC (9) Cl.** **26-05**

(52) **U.S. Cl.**
USPC **D26/74**

(58) **Field of Classification Search** D26/72,
D26/74, 75, 76, 77, 78, 79, 80, 81, 82, 83,
D26/84, 85, 88, 89, 90, 122; 362/145, 146,
362/147, 148, 150, 151, 152, 153, 153.1,
362/217.01, 217.02, 217.05, 217.06, 217.07,
362/217.08, 217.09, 217.1, 217.11, 249.02,
362/260, 296.07, 311.02

See application file for complete search history.

(56) **References Cited**

U.S. PATENT DOCUMENTS

D85,382 S *	10/1931	Guth	D26/24
5,823,663 A	10/1998	Bell et al.	362/362
D407,473 S *	3/1999	Wimbock	D23/328
6,210,025 B1	4/2001	Schmidt et al.	362/362
6,523,974 B2 *	2/2003	Engel	362/224
D496,121 S *	9/2004	Santoro	D26/74
7,049,761 B2	5/2006	Timmermans et al.	315/246
7,213,940 B1	5/2007	Van de Ven et al.	362/231
D556,358 S *	11/2007	Santoro	D26/74
7,510,299 B2	3/2009	Timmermans et al.	362/225
D593,246 S *	5/2009	Fowler et al.	D26/76
D604,446 S *	11/2009	Fowler et al.	D26/76

D608,932 S *	1/2010	Castelli	D26/76
D611,183 S *	3/2010	Duarte	D26/76
7,712,918 B2	5/2010	Siemiet et al.	362/241
7,722,220 B2	5/2010	Van de Ven	362/294
D617,487 S *	6/2010	Fowler et al.	D26/76
7,768,192 B2	8/2010	Van de Ven et al.	313/503
7,815,338 B2	10/2010	Siemiet et al.	362/218
D633,247 S *	2/2011	Kong et al.	D26/88
D653,376 S *	1/2012	Kong et al.	D26/76

(Continued)

FOREIGN PATENT DOCUMENTS

EM	1298383 A2	4/2003
EM	1847762 A2	10/2007

(Continued)

OTHER PUBLICATIONS

Office Action from Japanese Design Patent Application No. 2011-18570.

(Continued)

Primary Examiner — Angela J Lee

(74) *Attorney, Agent, or Firm* — Koppel, Patrick, Heybl & Philpott

(57) **CLAIM**

The ornamental design for a troffer-style fixture, as shown and described herein.

DESCRIPTION

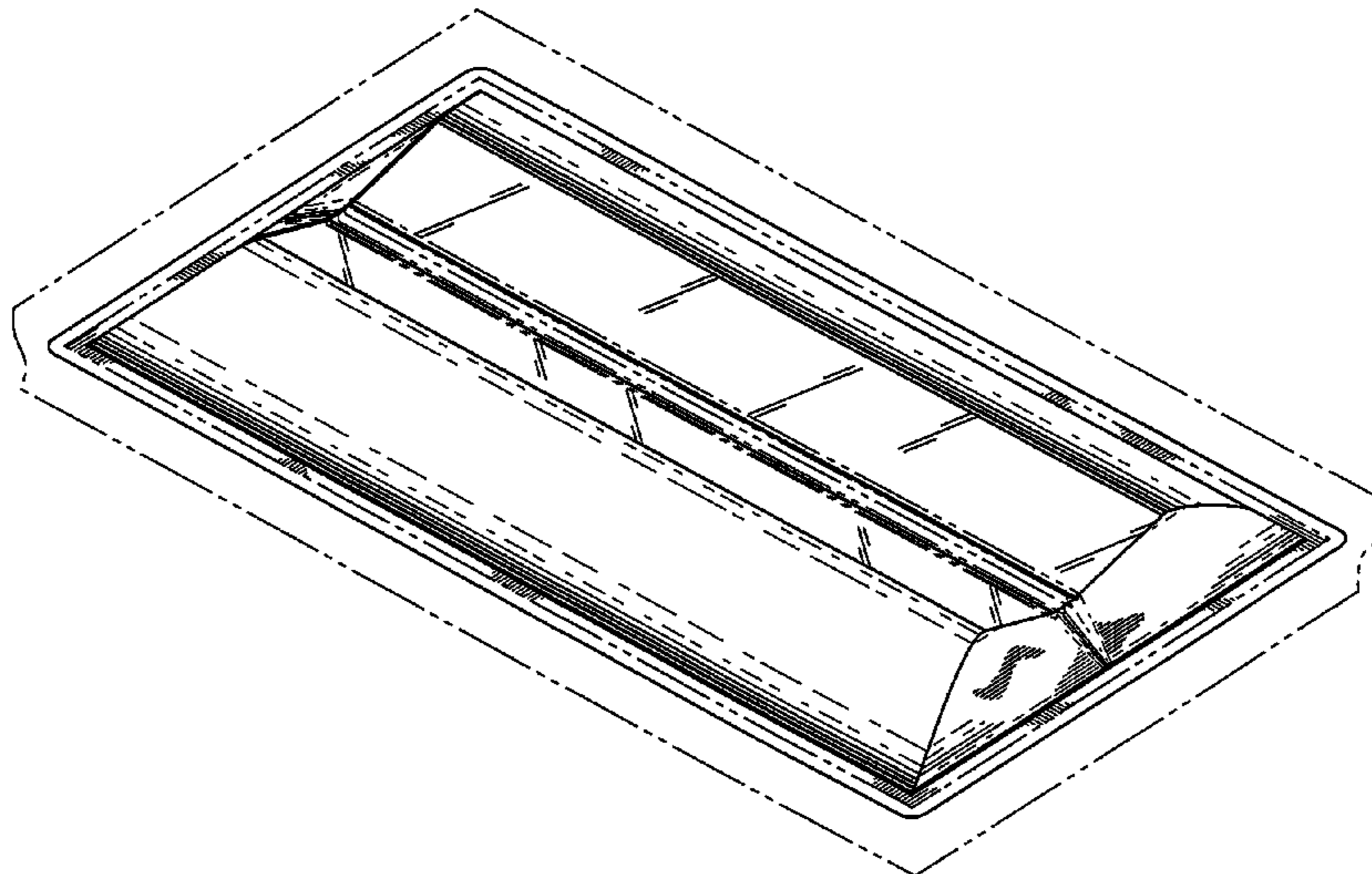
FIG. 1 is a perspective view of a troffer-style fixture according to the present invention.

FIG. 2 is a bottom view thereof; and,

FIG. 3 is a close-up portion of the troffer-style design shown in FIG. 1.

The broken lines shown in FIGS. 1-3 depict environmental subject matter only and form no part of the claimed design.

1 Claim, 3 Drawing Sheets



US D679,848 S

Page 2

U.S. PATENT DOCUMENTS

8,092,049	B2	1/2012	Kinnune et al.	362/294
2004/0001344	A1	1/2004	Hecht	
2007/0115670	A1	5/2007	Roberts et al.	
2007/0115671	A1	5/2007	Roberts et al.	
2007/0211457	A1*	9/2007	Mayfield et al.	362/223
2009/0323334	A1	12/2009	Roberts et al.	
2011/0199005	A1	8/2011	Bretschneider et al.	
2011/0199769	A1	8/2011	Bretschneider et al.	

FOREIGN PATENT DOCUMENTS

JP	2011018571	8/2011
JP	2011018572	8/2011
WO	WO 2011140353 A2	11/2011

OTHER PUBLICATIONS

Reason for Rejection from Japanese Design Patent Application No. 2011-18571.

Reason for Rejection from Japanese Design Patent Application No. 2011-18572.

International Search Report and Written Opinion for Patent Application No. PCT/US2011/001517, dated: Feb. 27, 2012.

* cited by examiner

FIG. 1

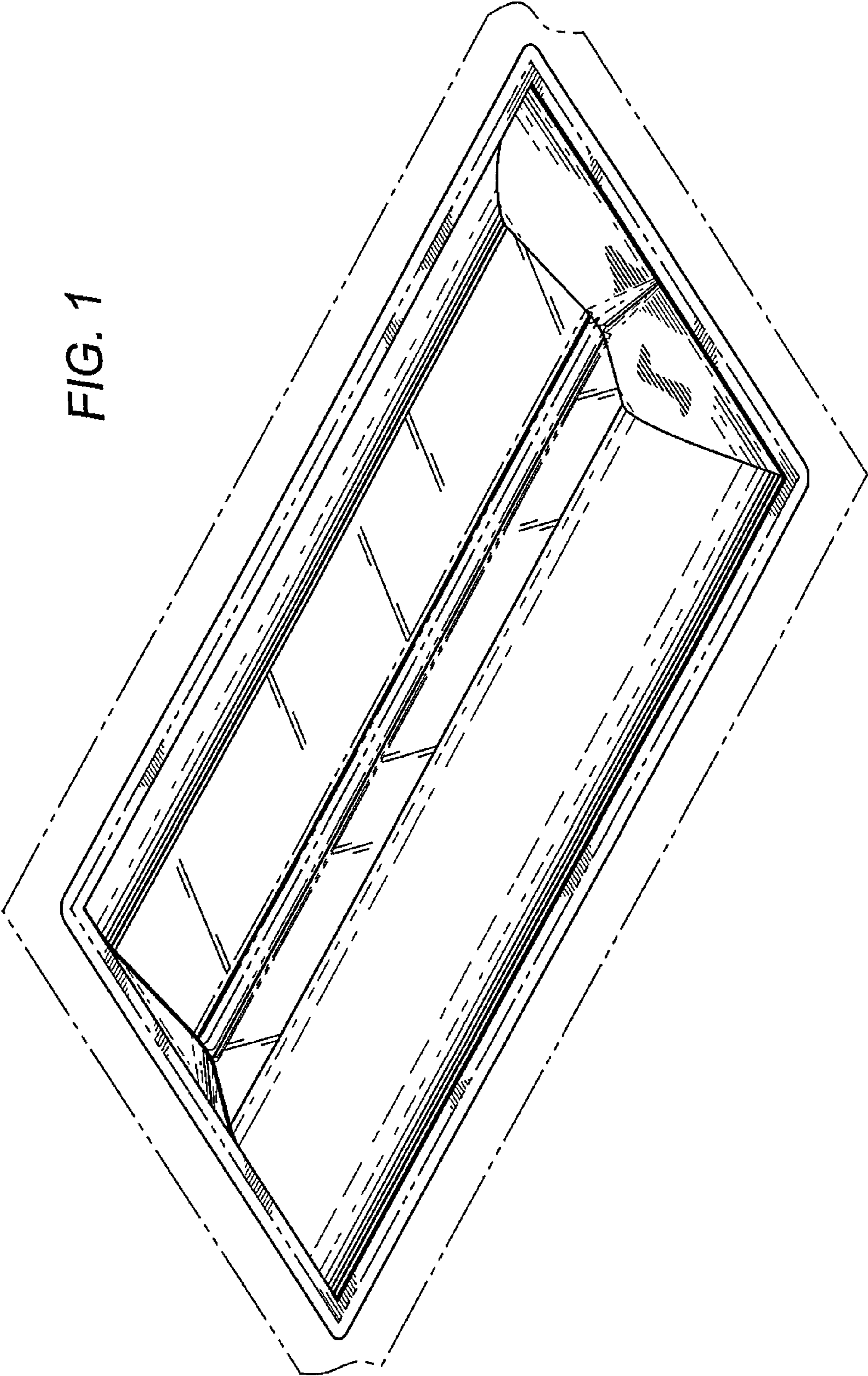
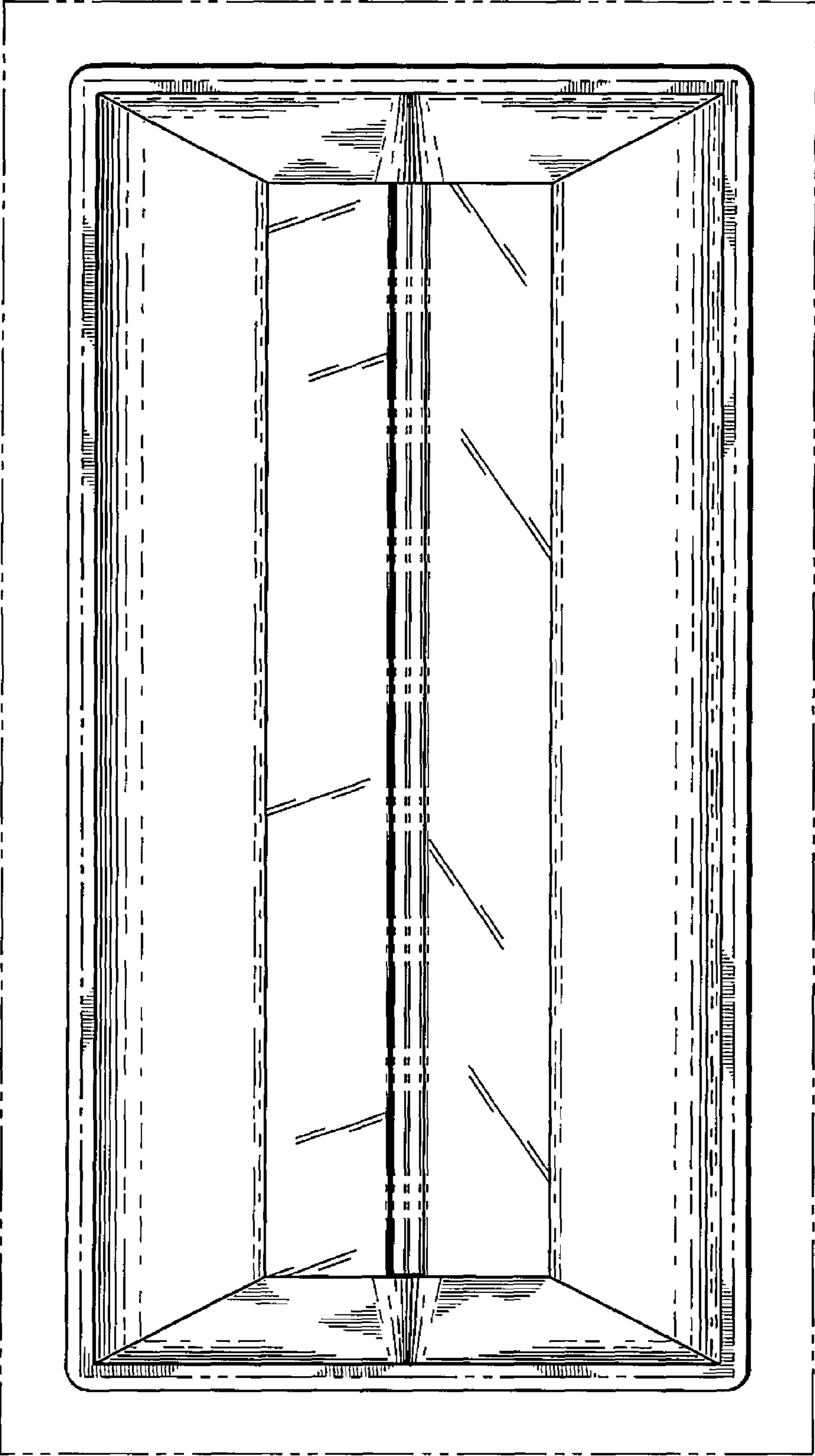


FIG. 2



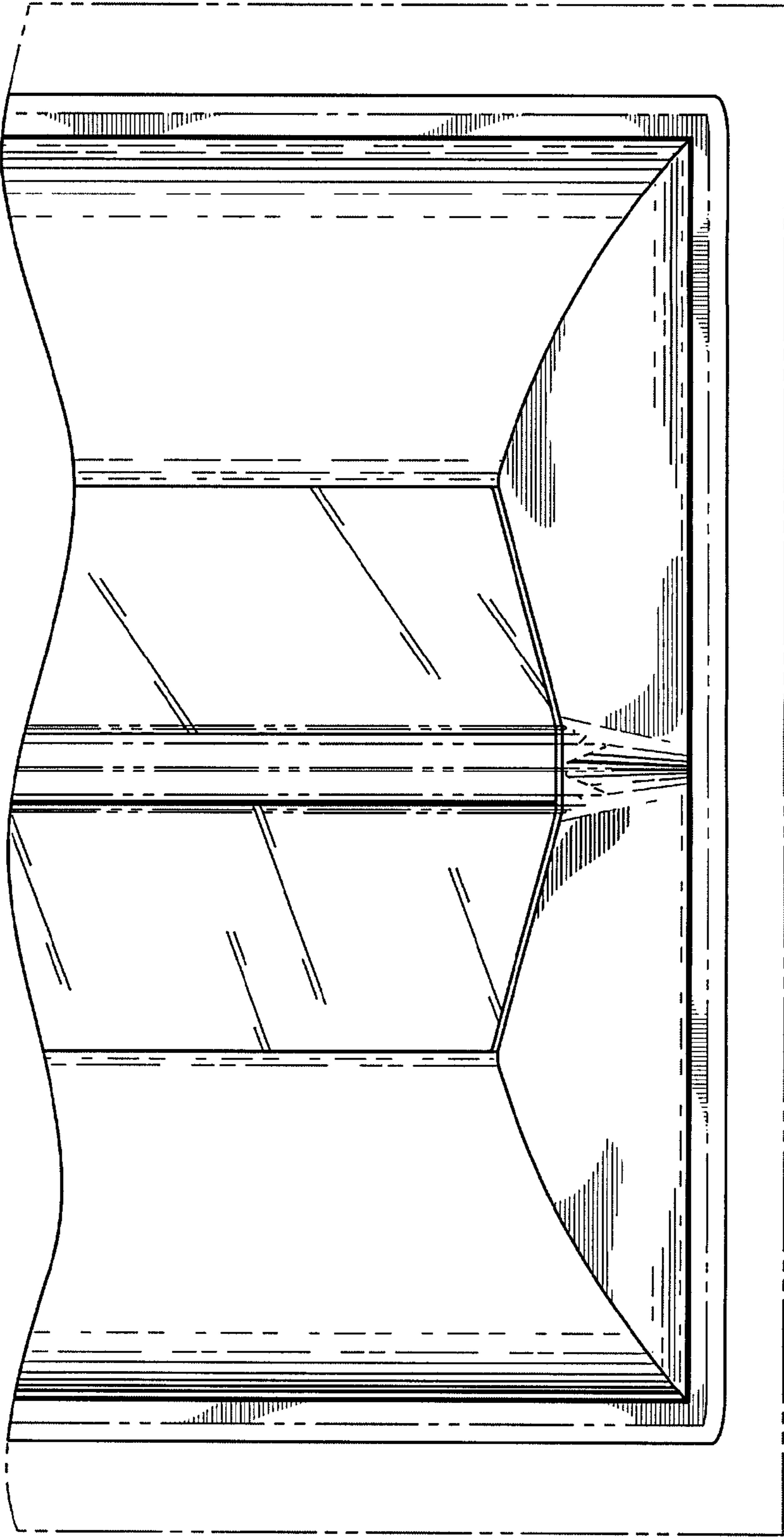


FIG. 3