



US00D679847S

(12) **United States Design Patent**
Arnold et al.

(10) **Patent No.:** **US D679,847 S**

(45) **Date of Patent:** **** Apr. 9, 2013**

(54) **HYBRID LIGHT POLE FIXTURE**

(75) Inventors: **George Arnold**, Ontario (CA); **Jim Woods**, Mississauga (CA)

(73) Assignee: **Polefab Inc. (CA)**

(**) Term: **14 Years**

(21) Appl. No.: **29/405,152**

(22) Filed: **Oct. 28, 2011**

(30) **Foreign Application Priority Data**

Apr. 29, 2011 (CA) 140284

(51) **LOC (9) Cl.** **26-05**

(52) **U.S. Cl.** **D26/70**

(58) **Field of Classification Search** D26/67-71,
D26/85, 92; 362/20, 145, 183, 249.02, 249.03,
362/249.04, 249.06, 249.16, 231, 431; 290/55
See application file for complete search history.

(56) **References Cited**

U.S. PATENT DOCUMENTS

4,200,904	A *	4/1980	Doan	362/183
D404,842	S *	1/1999	Hurst	D26/68
6,661,113	B1 *	12/2003	Bonin	290/55
6,942,361	B1 *	9/2005	Kishimura et al.	362/431
D573,742	S *	7/2008	Bears	D26/71
D595,886	S *	7/2009	Lodhie	D26/71
7,573,148	B2 *	8/2009	Nica	290/55
D608,927	S *	1/2010	Hsu et al.	D26/71

D610,732	S *	2/2010	Daidone et al.	D26/71
D622,887	S *	8/2010	Lewis	D26/71
D622,889	S *	8/2010	Zheng	D26/71
D642,723	S *	8/2011	Zheng	D26/70
7,988,413	B2 *	8/2011	Haar	290/55
D646,419	S *	10/2011	Chiang et al.	D26/71
D647,236	S *	10/2011	Chang	D26/70
D656,652	S *	3/2012	Rosenlof et al.	D26/71
8,288,884	B1 *	10/2012	Malcolm	290/55
2009/0273922	A1 *	11/2009	Ho et al.	362/183
2010/0090605	A1 *	4/2010	Nevins	290/55

* cited by examiner

Primary Examiner — Clare E Heflin

(74) *Attorney, Agent, or Firm* — Banner & Witcoff, Ltd.

(57) **CLAIM**

The ornamental design for a hybrid light pole fixture, as shown and described.

DESCRIPTION

FIG. 1 is a perspective view of a hybrid light pole fixture showing my new design;

FIG. 2 is a top plan view thereof;

FIG. 3 is a right side view thereof;

FIG. 4 is a front view thereof;

FIG. 5 is a left side view thereof; and,

FIG. 6 is a rear view thereof.

The broken line showing is for environmental purposes only and forms no part of the claimed design.

1 Claim, 6 Drawing Sheets

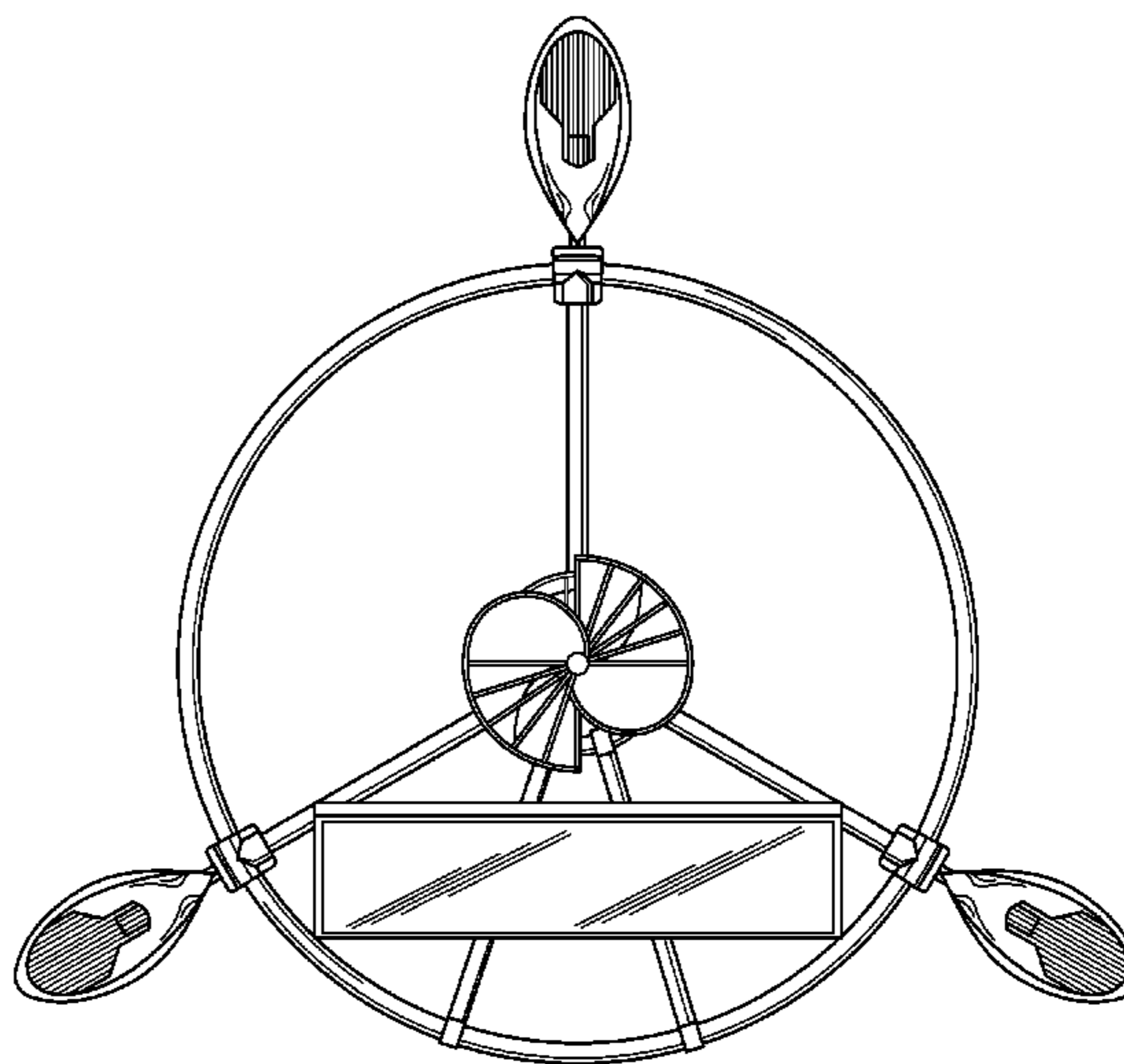
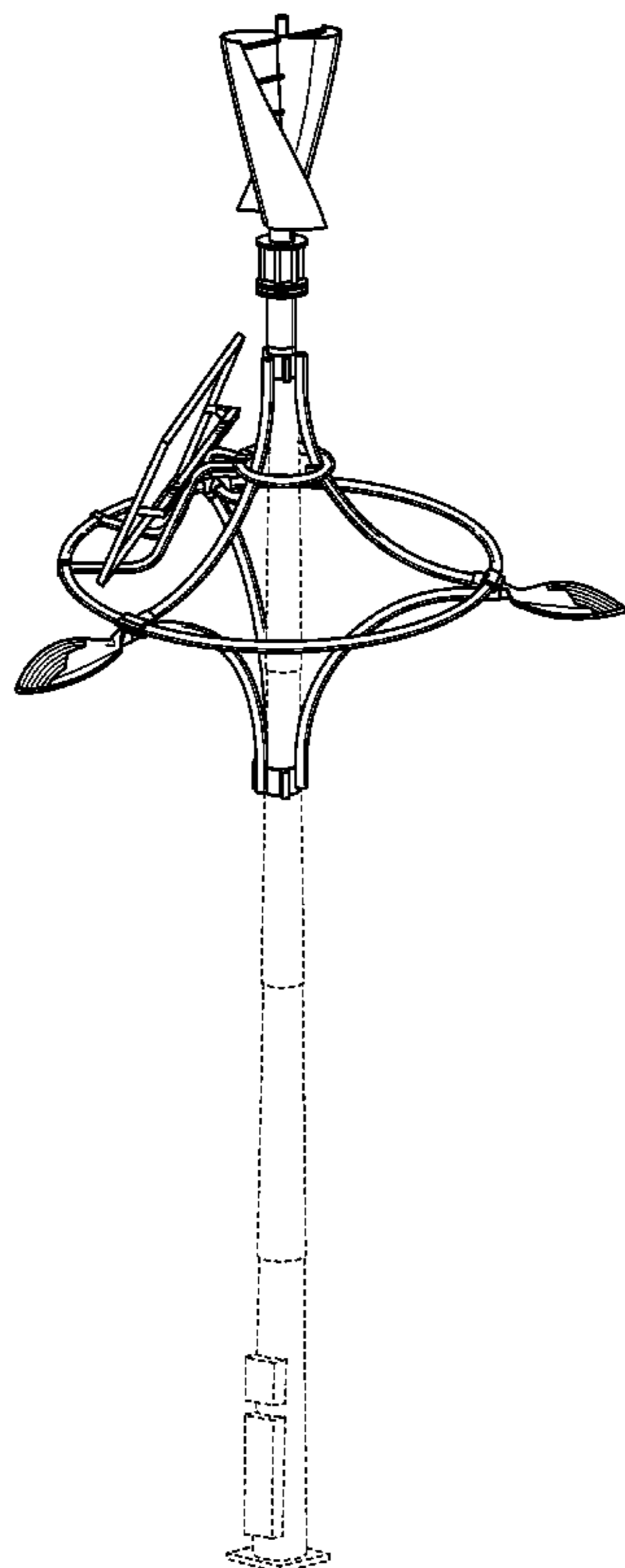
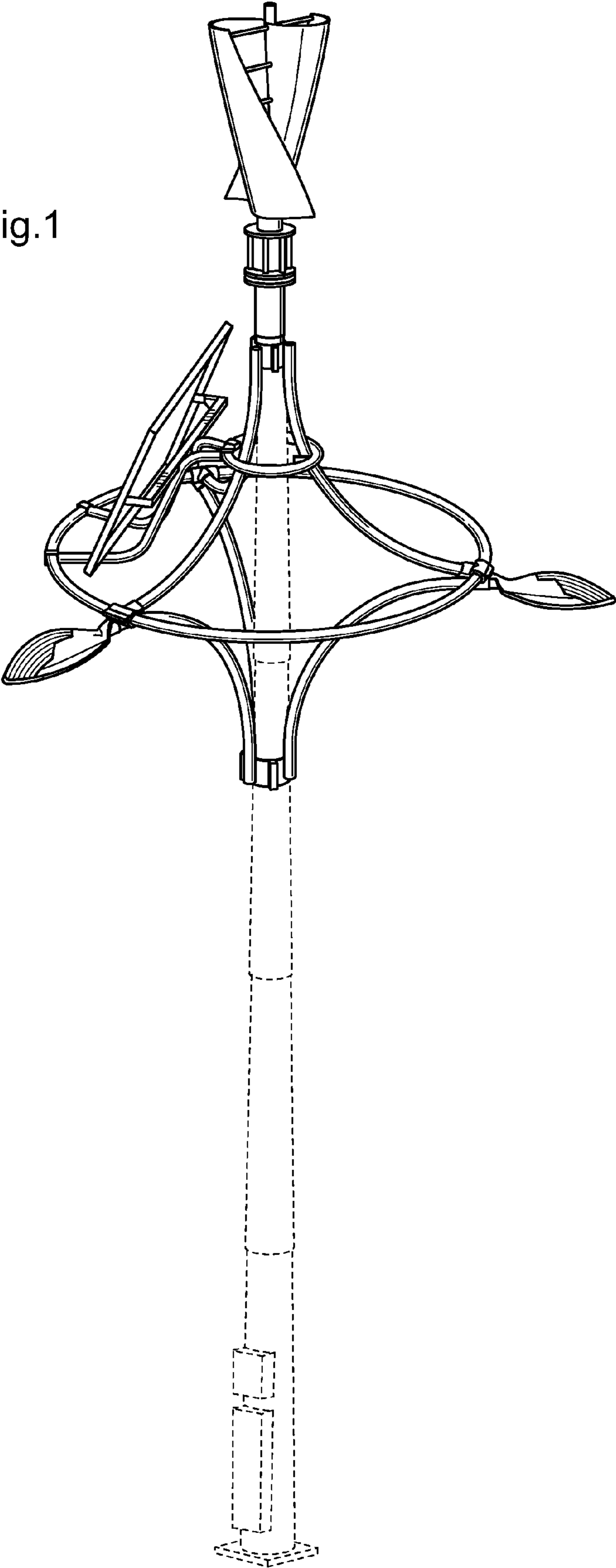


Fig.1



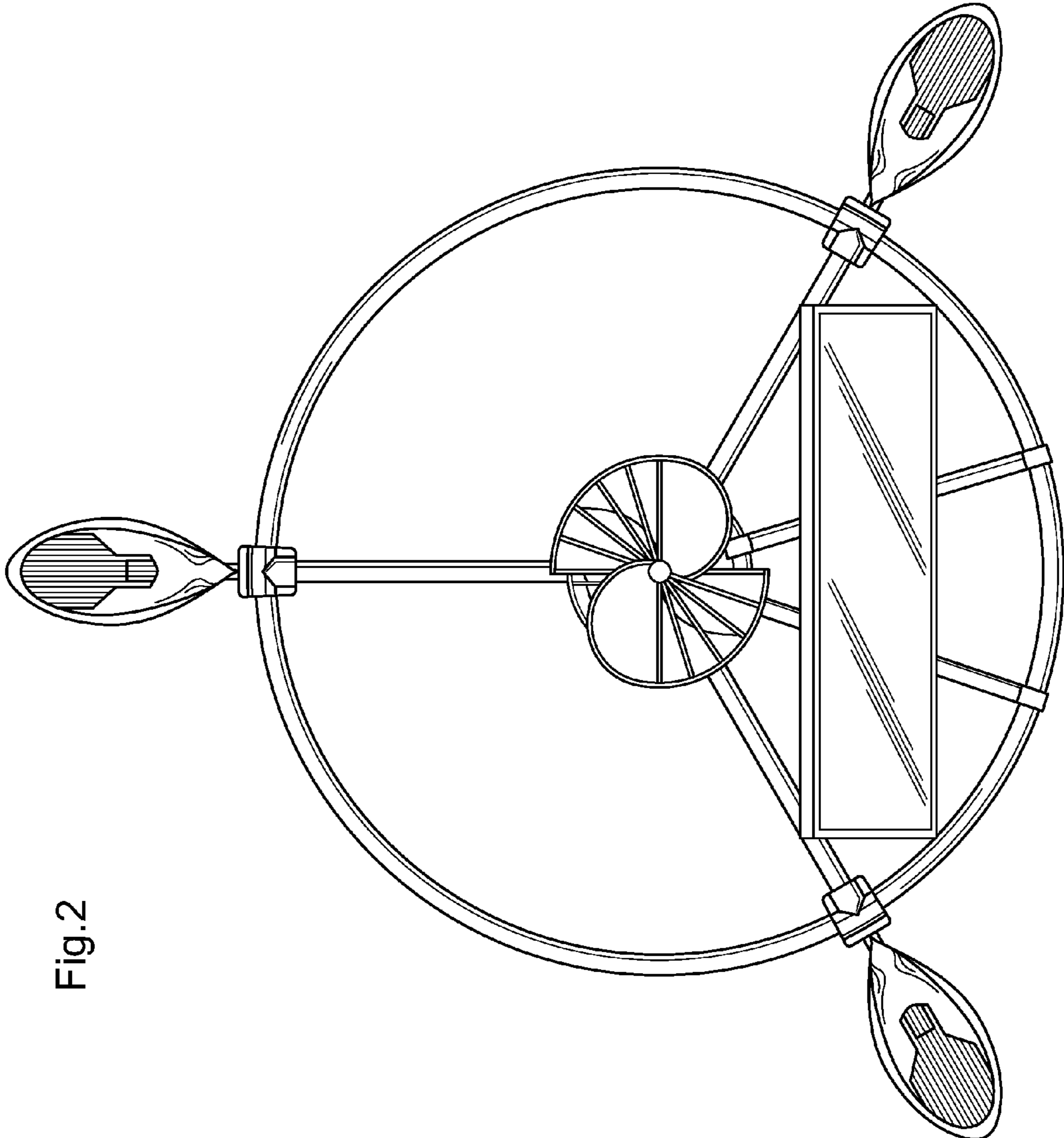


Fig.2

Fig.3

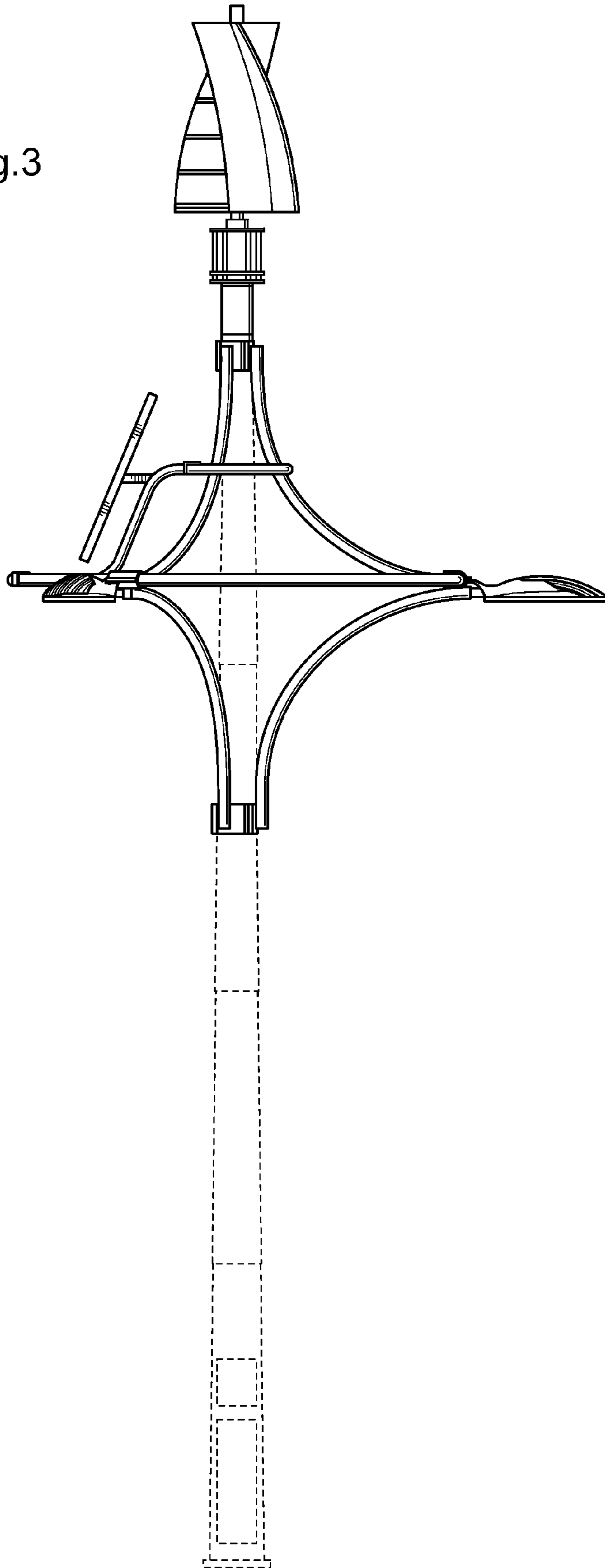


Fig.4

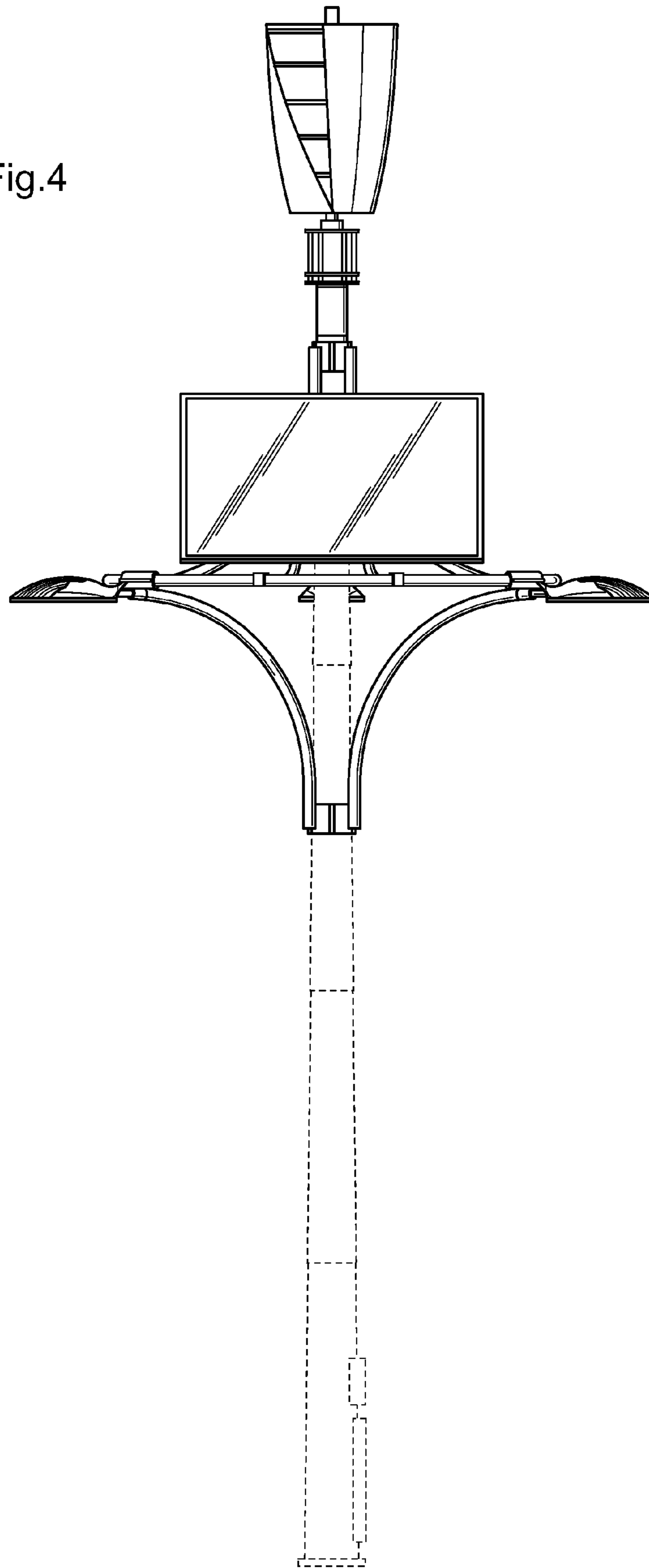


Fig.5

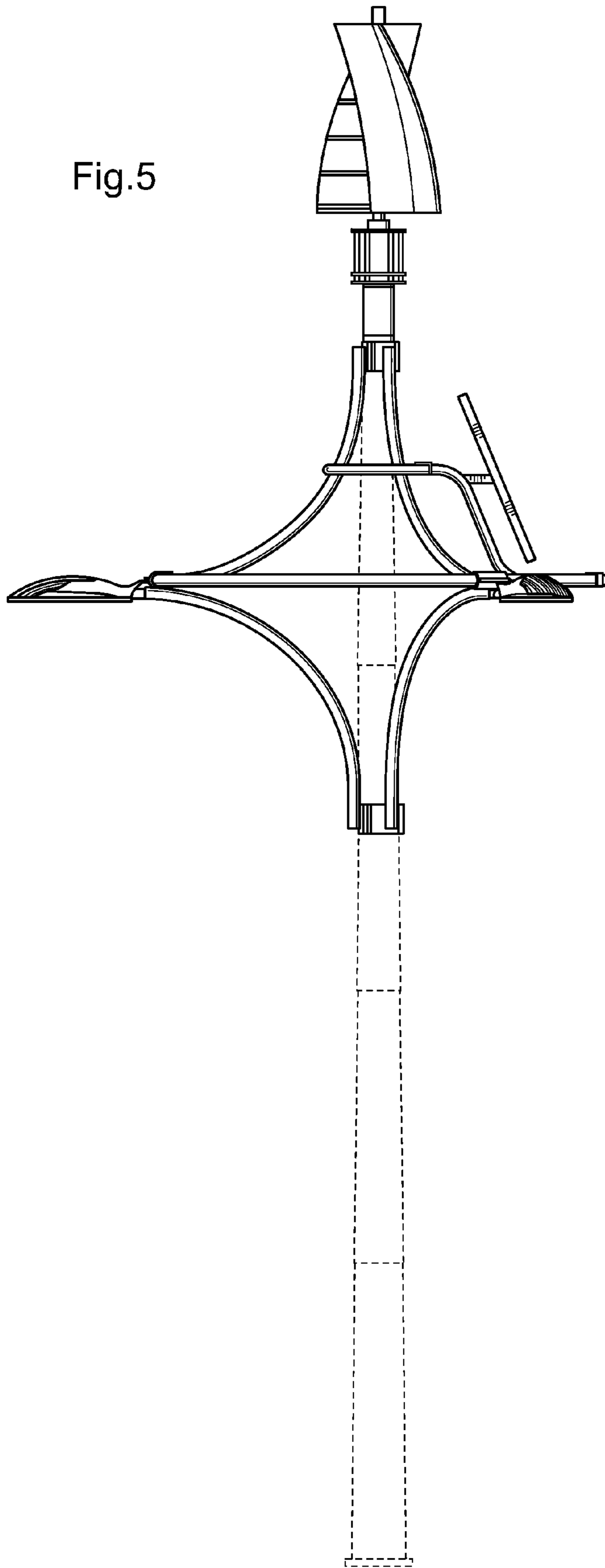


Fig.6

