



US00D679845S

(12) **United States Design Patent**
Huang

(10) **Patent No.:** **US D679,845 S**

(45) **Date of Patent:** **** Apr. 9, 2013**

(54) **LED LIGHTING DEVICE**

(76) Inventor: **Chia-Ling Huang**, Taichung (TW)

(**) Term: **14 Years**

(21) Appl. No.: **29/372,728**

(22) Filed: **Jan. 3, 2011**

(51) **LOC (9) Cl.** **26-02**

(52) **U.S. Cl.**
USPC **D26/37**

(58) **Field of Classification Search** D26/37,
D26/38, 40, 44, 51, 61, 119; 362/157, 158,
362/183–185, 194–196, 418

See application file for complete search history.

(56) **References Cited**

U.S. PATENT DOCUMENTS

D403,094 S *	12/1998	Grossman et al.	D26/63
D403,455 S *	12/1998	Duennes	D26/50
D471,661 S *	3/2003	Reisbord	D26/40
D500,528 S *	1/2005	Morris et al.	D21/324
D519,238 S *	4/2006	Leen	D26/119
D549,859 S *	8/2007	Kovacik et al.	D26/37
D553,771 S *	10/2007	Watson et al.	D26/37
D583,988 S *	12/2008	Sandell	D26/138
D596,774 S *	7/2009	Vines	D26/51

D612,969 S *	3/2010	Schoch et al.	D26/50
D625,872 S *	10/2010	Leen	D26/63
D639,469 S *	6/2011	Zhuang	D26/37
D657,483 S *	4/2012	Leen	D26/37
D659,867 S *	5/2012	Zhan	D26/37
2006/0146523 A1 *	7/2006	Yuen	362/183

* cited by examiner

Primary Examiner — Ian Simmons

Assistant Examiner — Carissa C Fitts

(74) *Attorney, Agent, or Firm* — Charles E. Baxley

(57) **CLAIM**

The ornamental design for a LED lighting device, as shown and described.

DESCRIPTION

FIG. 1 is a perspective view of a LED lighting device showing our new design thereof;

FIG. 2 is a front elevational view thereof;

FIG. 3 is a rear elevational view thereof;

FIG. 4 is a left side elevational view thereof;

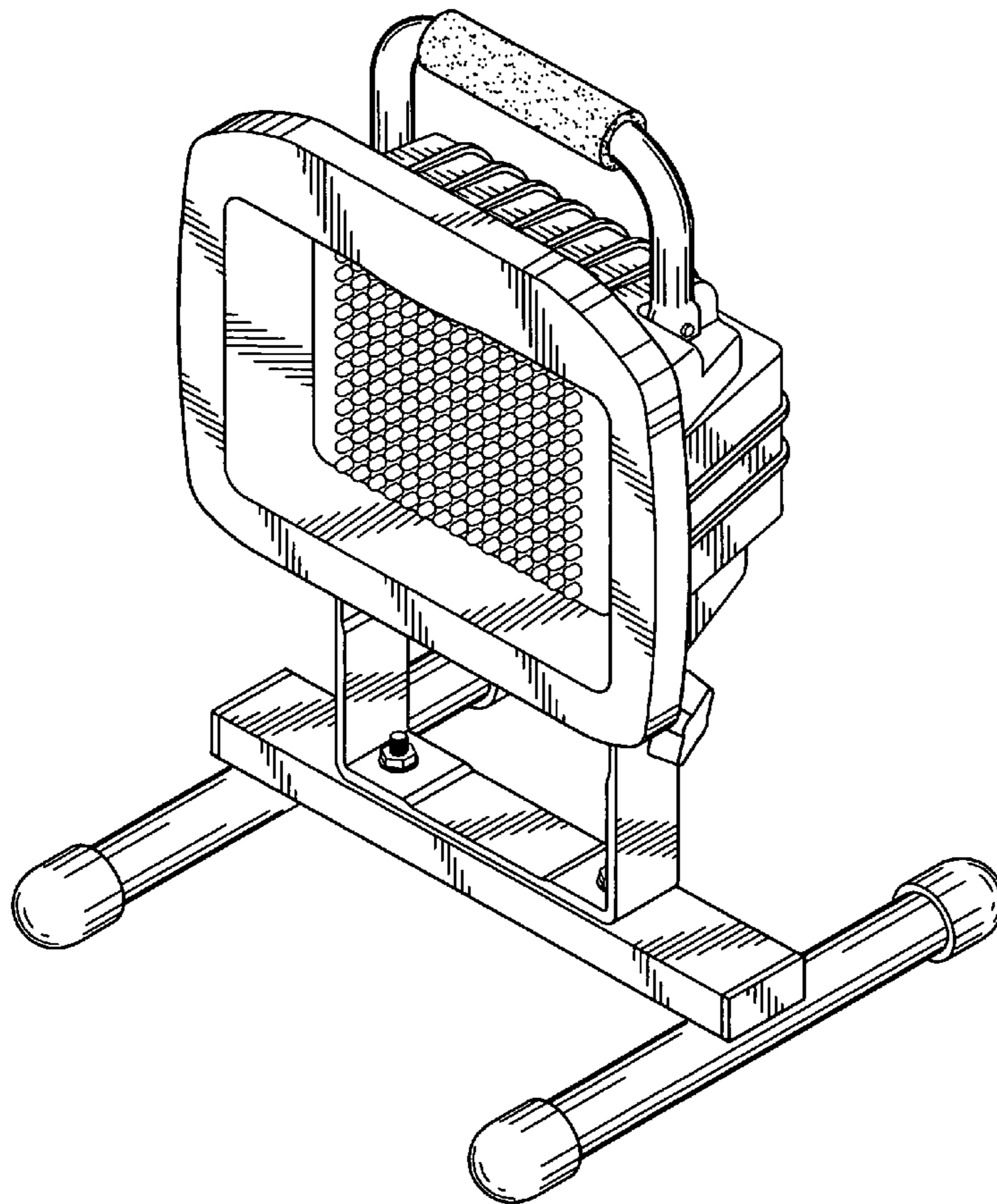
FIG. 5 is a right side elevational view thereof;

FIG. 6 is a top plan view thereof;

FIG. 7 is a bottom view thereof; and,

FIG. 8 is a second perspective view thereof.

1 Claim, 8 Drawing Sheets



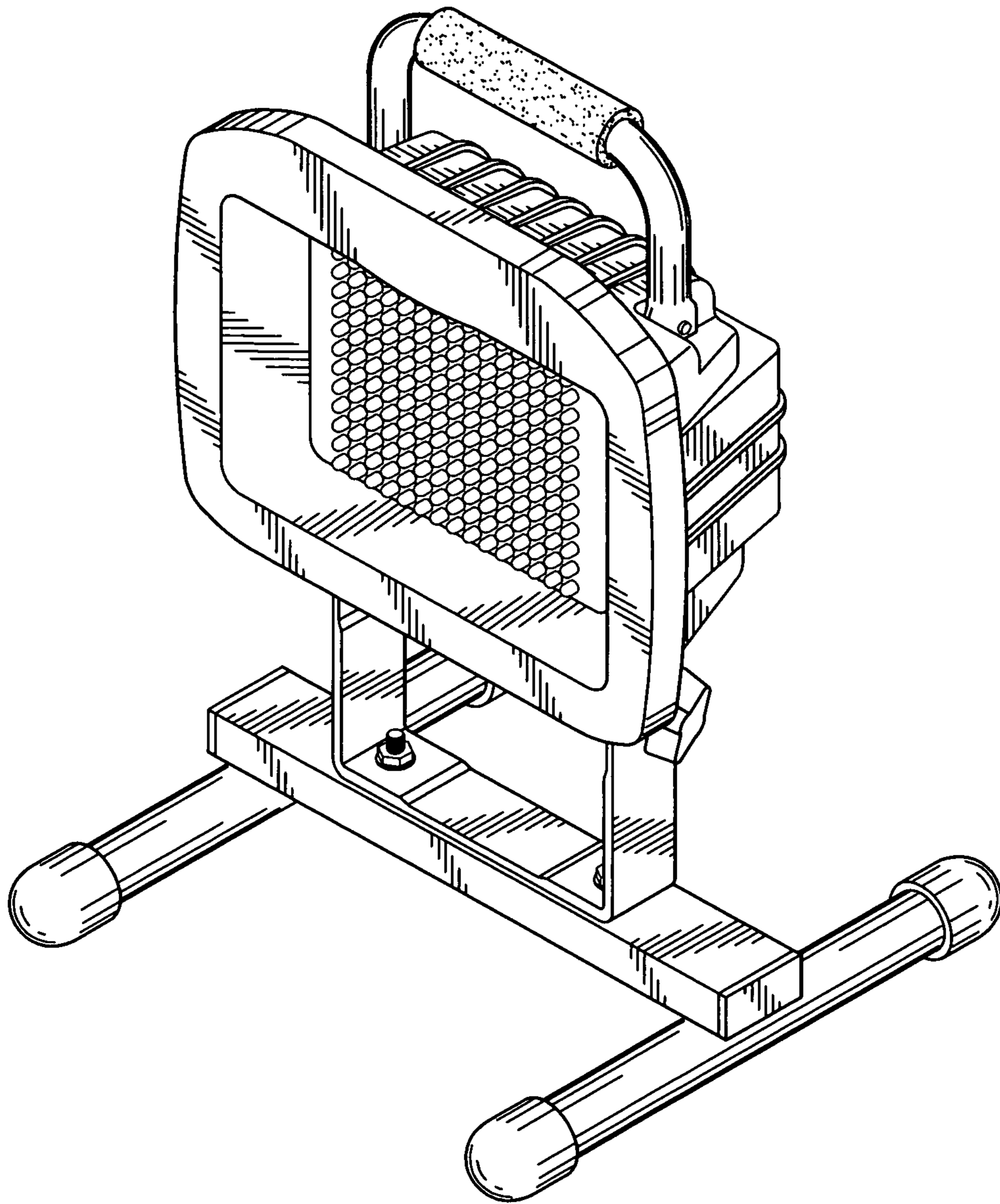


FIG. 1

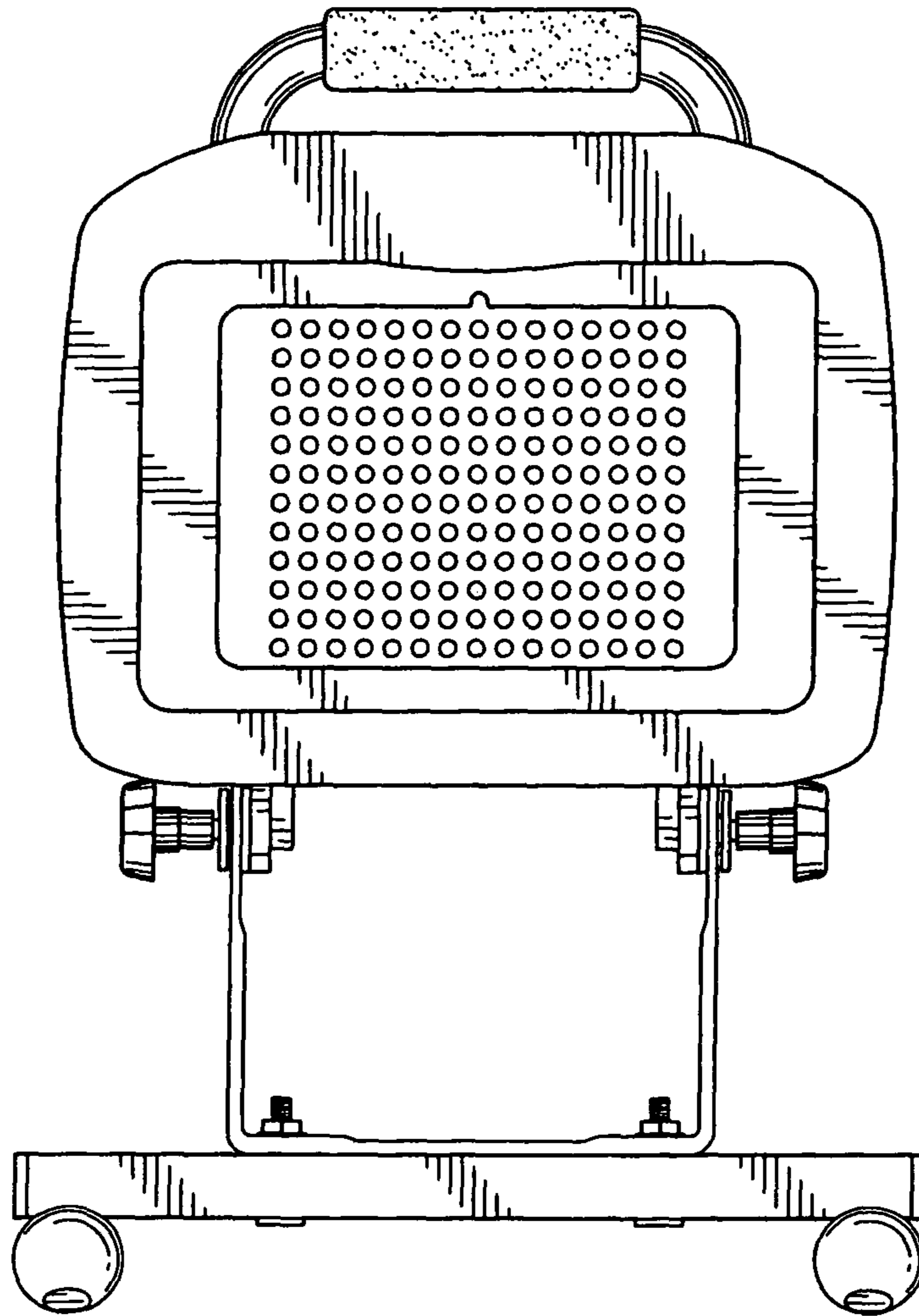


FIG. 2

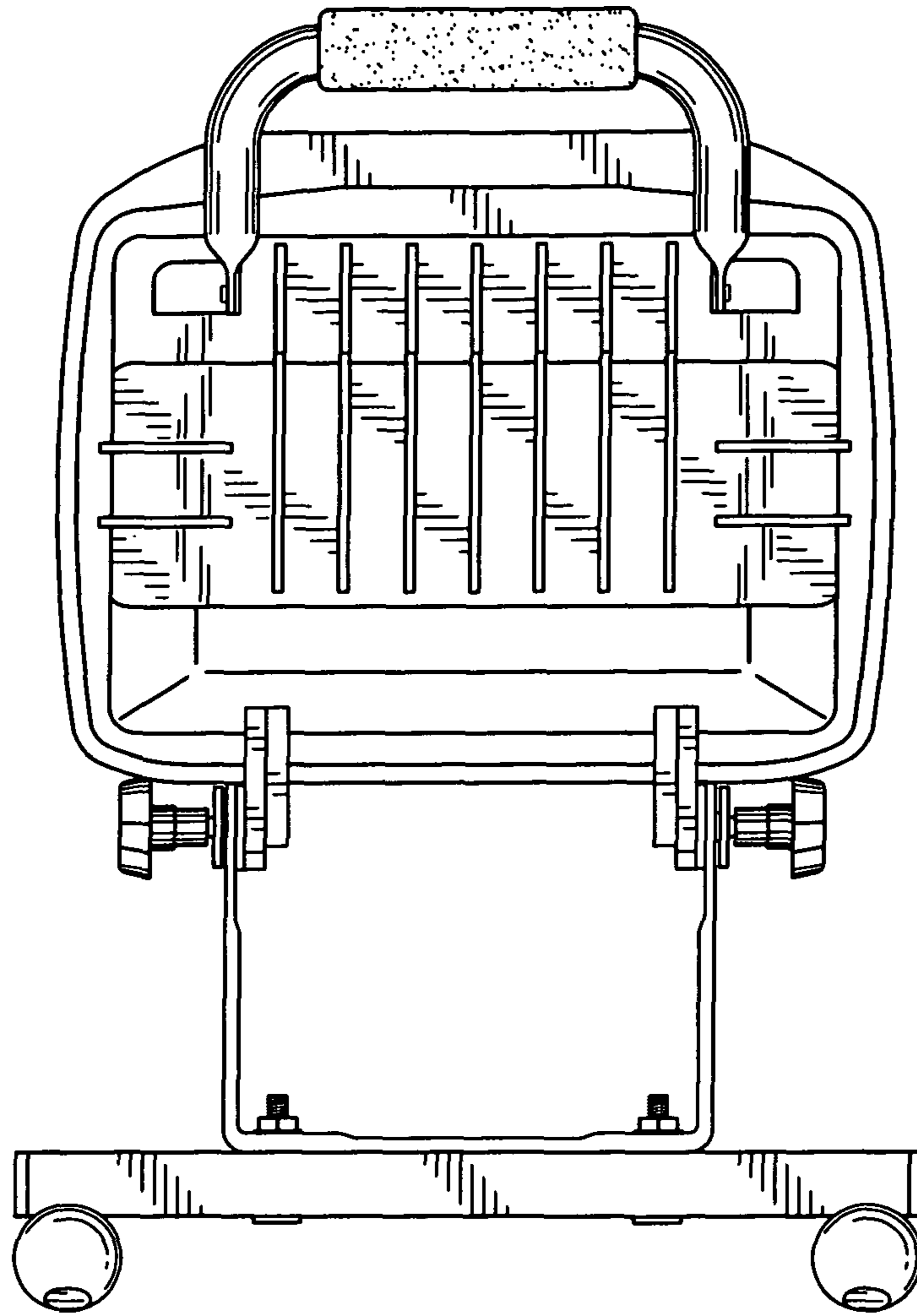


FIG. 3

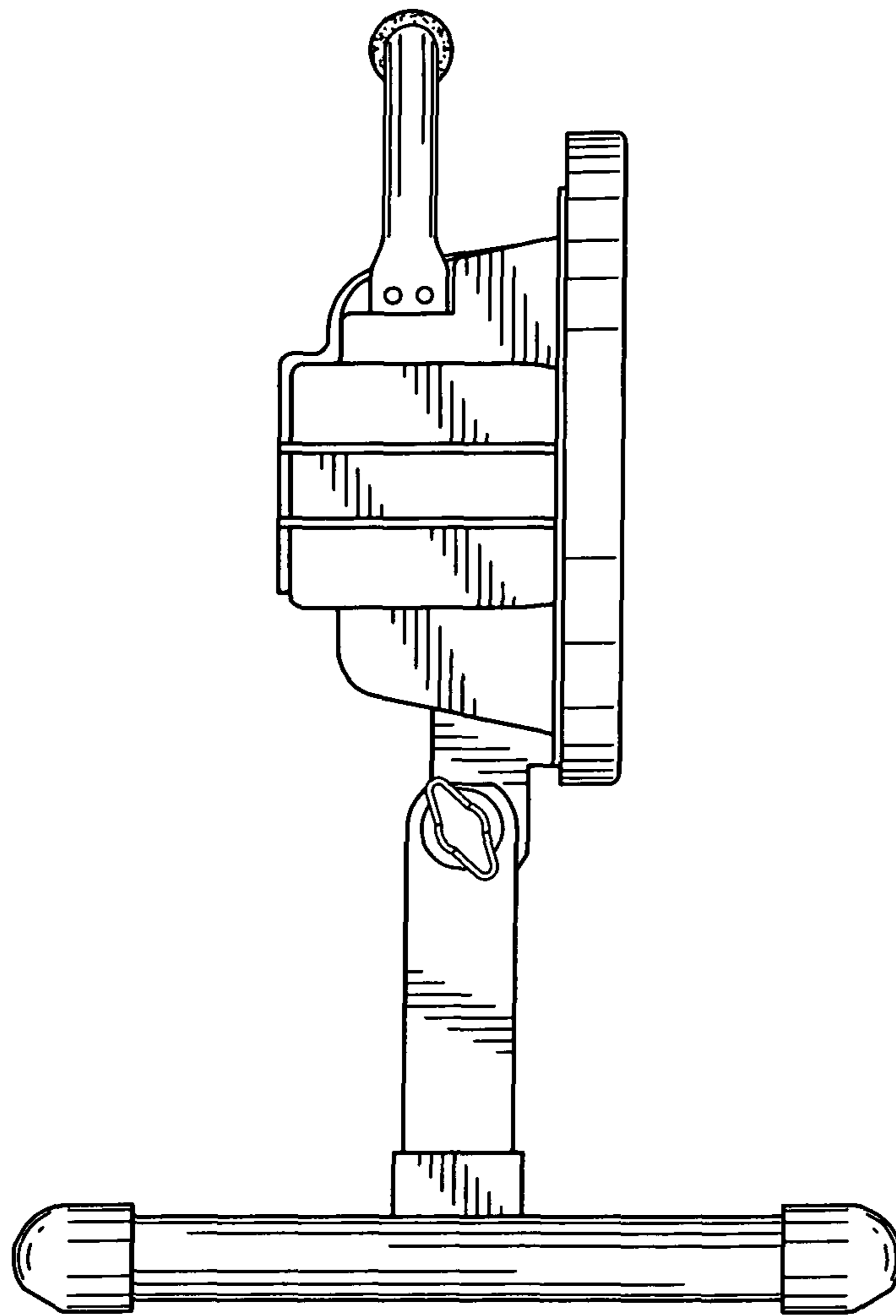


FIG. 4

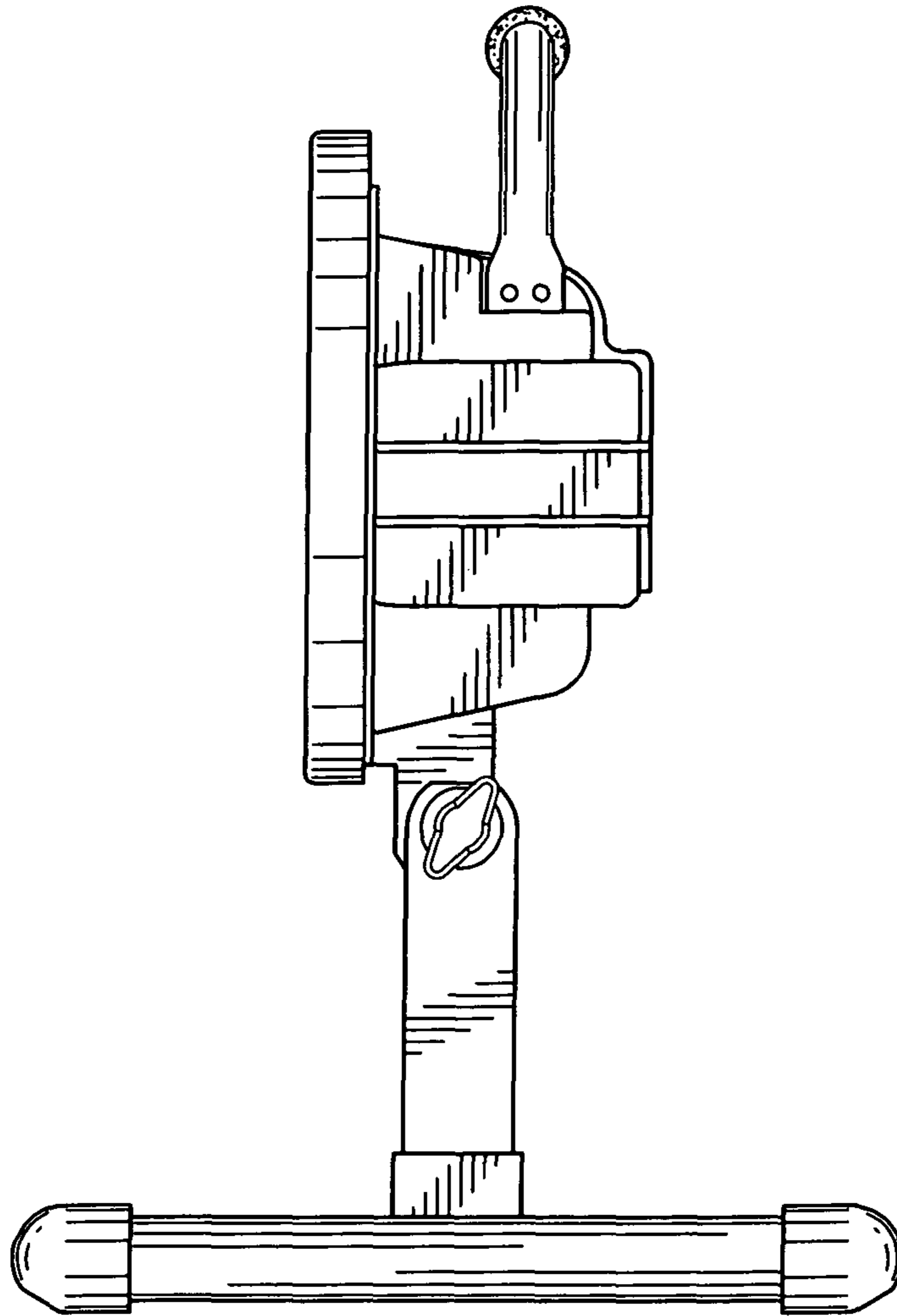


FIG. 5

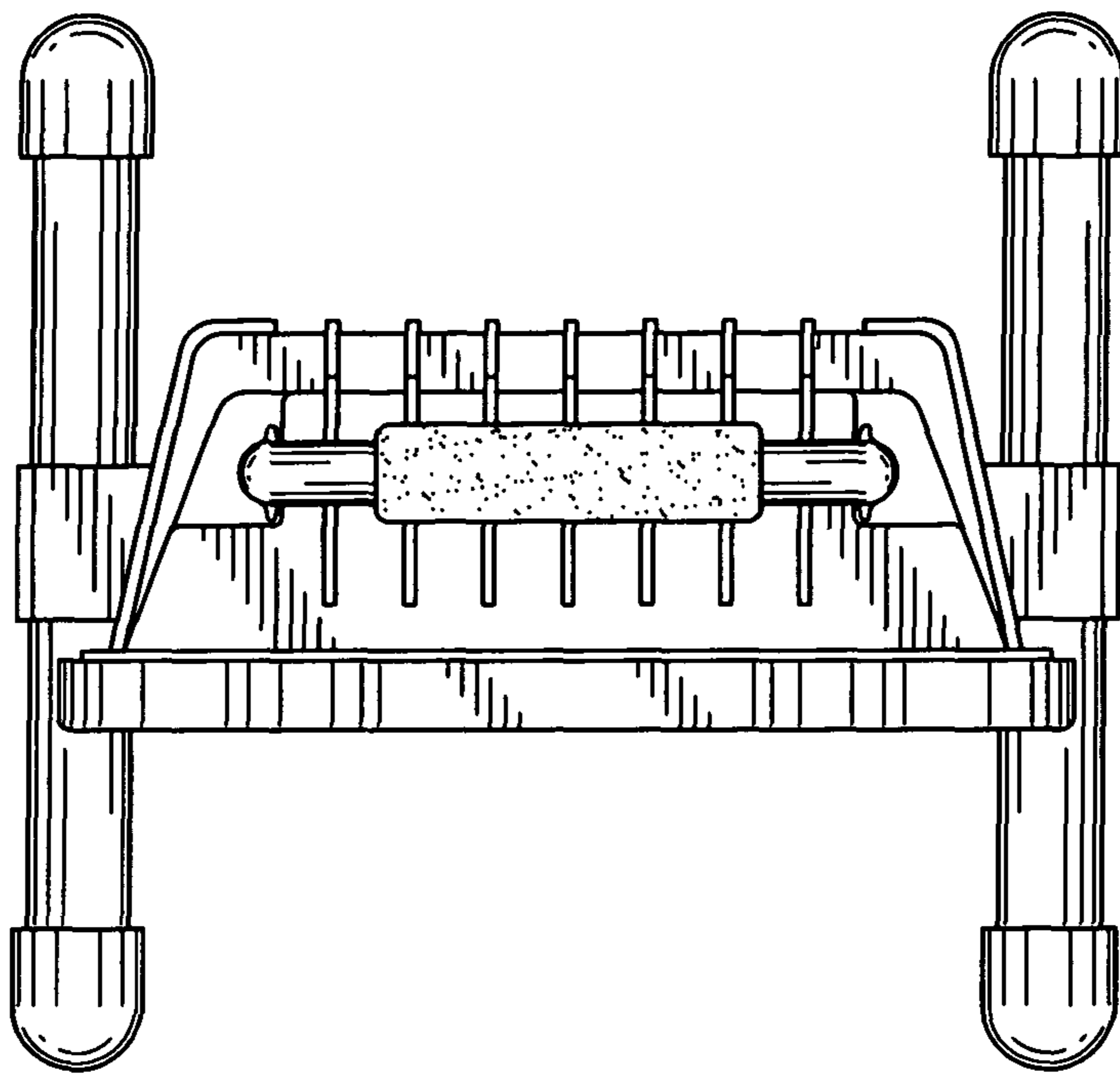


FIG. 6

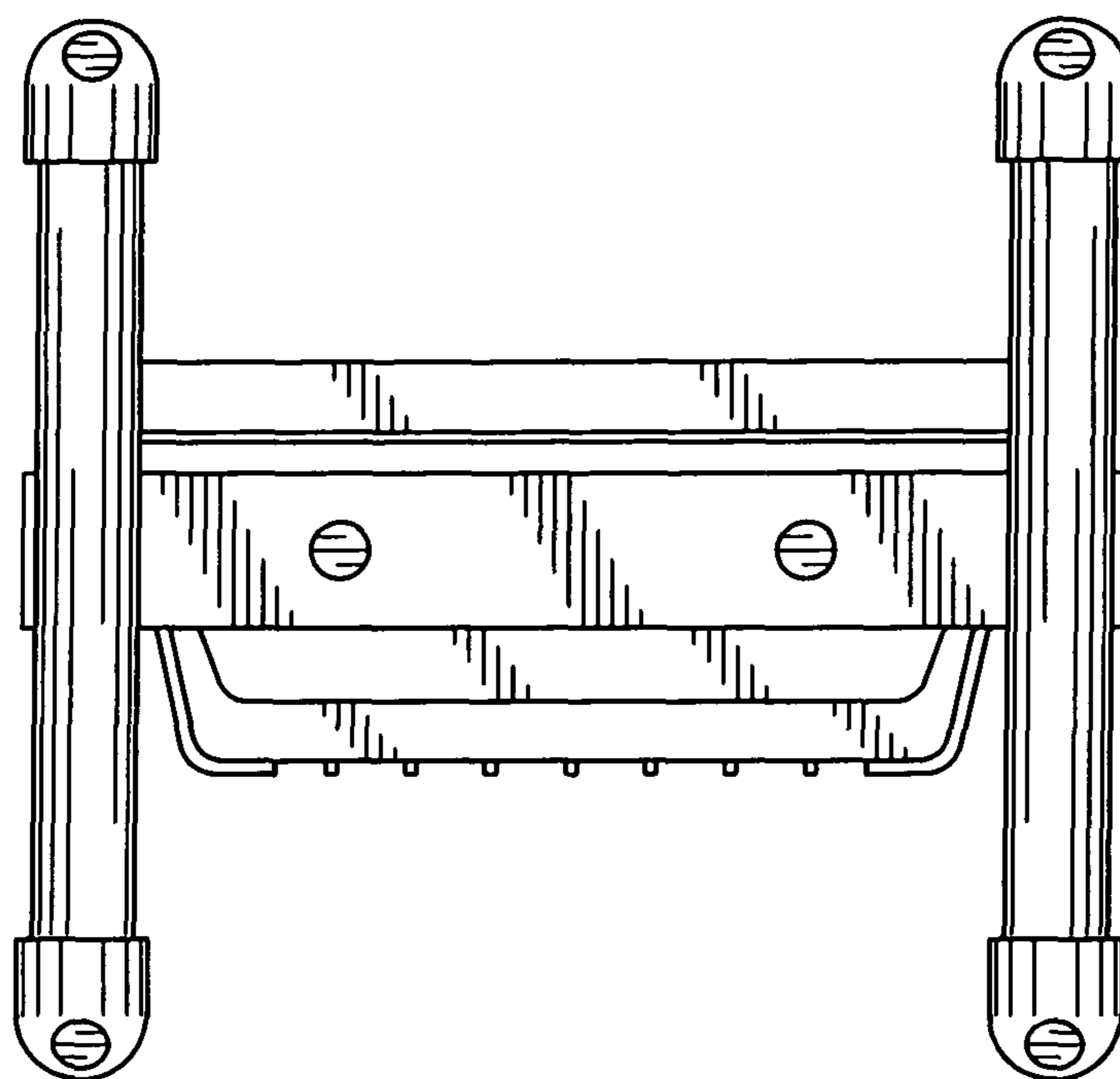


FIG. 7

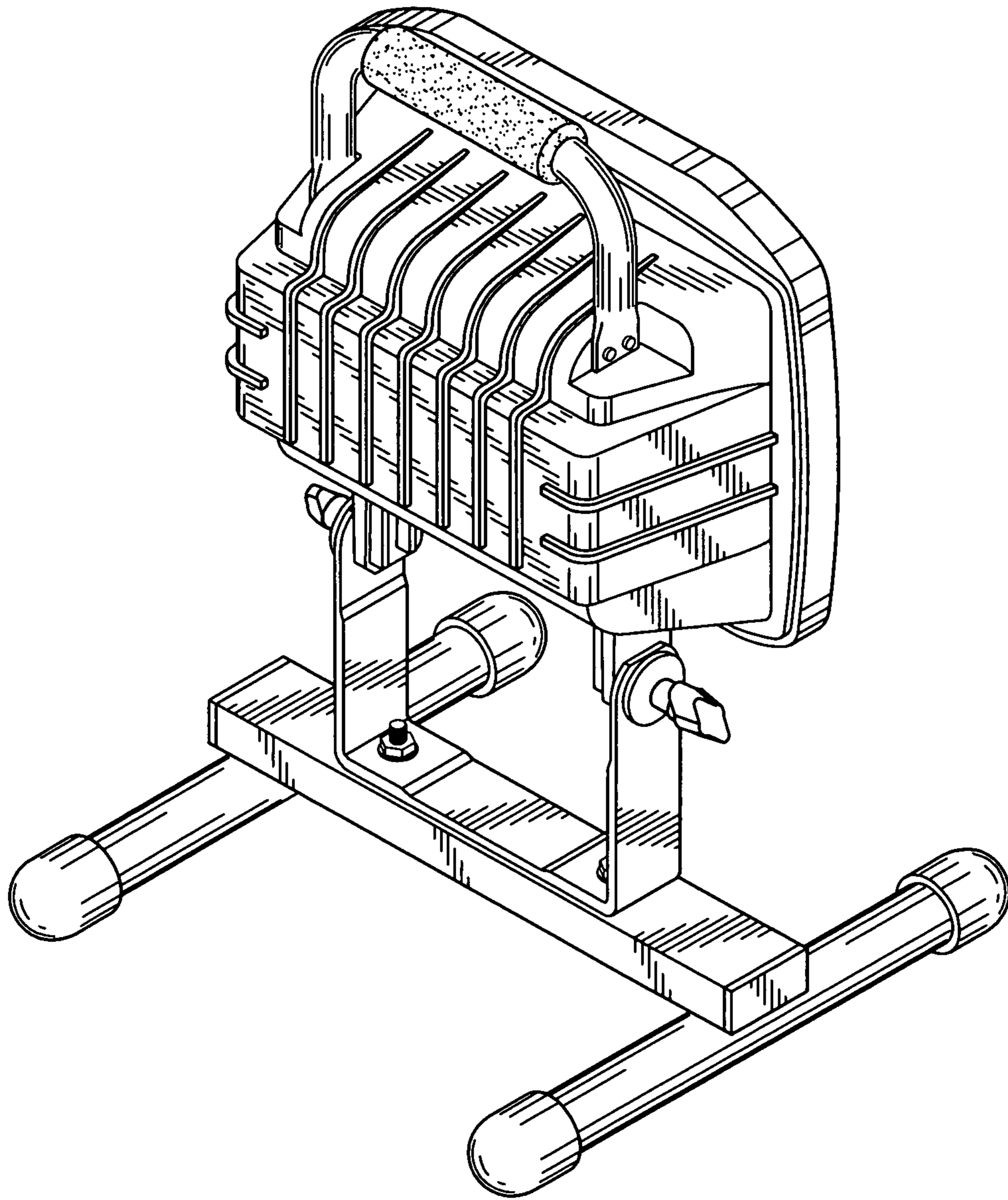


FIG. 8