



US00D679844S

(12) **United States Design Patent**  
**Frenzel et al.**

(10) **Patent No.:** **US D679,844 S**

(45) **Date of Patent:** **\*\* Apr. 9, 2013**

(54) **HEADLIGHT FOR A VEHICLE**

(74) *Attorney, Agent, or Firm* — Crowell & Moring LLP

(75) Inventors: **Klaus Frenzel**, Stuttgart (DE);  
**Hans-Dieter Futschik**, Stuttgart (DE);  
**Stefan Handt**, Stuttgart (DE); **Juergen Wiesen**, Stuttgart (DE)

(57) **CLAIM**

The ornamental design for a headlight for a vehicle, as shown and described.

(73) Assignee: **Daimler AG**, Stuttgart (DE)

**DESCRIPTION**

(\*\*) Term: **14 Years**

This application contains subject matter related to the following co-pending U.S. design patent applications: Application Ser. No. 29/402,401, filed herewith and entitled "Vehicle, Toy, and/or Replicas Thereof"; Application Ser. No. 29/402,402, filed herewith and entitled "Front Portion of a Vehicle, Toy, and/or Replicas Thereof"; and

(21) Appl. No.: **29/402,411**

Application Ser. No. 29/402,412, filed herewith and entitled "Headlight for a Vehicle"; and Application Ser. No. 29/402,413, filed herewith and entitled "Headlight for a Vehicle".

(22) Filed: **Sep. 23, 2011**

(30) **Foreign Application Priority Data**

Mar. 25, 2011 (DE) ..... 402011001598

(51) **LOC (9) Cl.** ..... **26-06**

(52) **U.S. Cl.** ..... **D26/28**

(58) **Field of Classification Search** ..... D26/28-36;  
362/459-468, 475-478, 485-487

See application file for complete search history.

FIG. 1 is a right perspective view of a first embodiment of a headlight for a vehicle according to our design; FIG. 2 is a front view thereof; FIG. 3 is a right side view thereof; and FIG. 4 is a top view thereof.

(56) **References Cited**

**U.S. PATENT DOCUMENTS**

D536,113 S *	1/2007	Pfeiffer	.....	D26/28
D542,442 S *	5/2007	Matsunami	.....	D26/28
D544,614 S *	6/2007	Markefka	.....	D26/28
D549,855 S *	8/2007	Moisy et al.	.....	D26/28
D556,349 S *	11/2007	Golden et al.	.....	D26/28
D619,278 S *	7/2010	Choi et al.	.....	D26/28

FIG. 5 is a left front perspective view of the second embodiment of the headlight for a vehicle showing of our new design, with the headlight for a vehicle for the opposite side of the vehicle being depicted in the first embodiment;

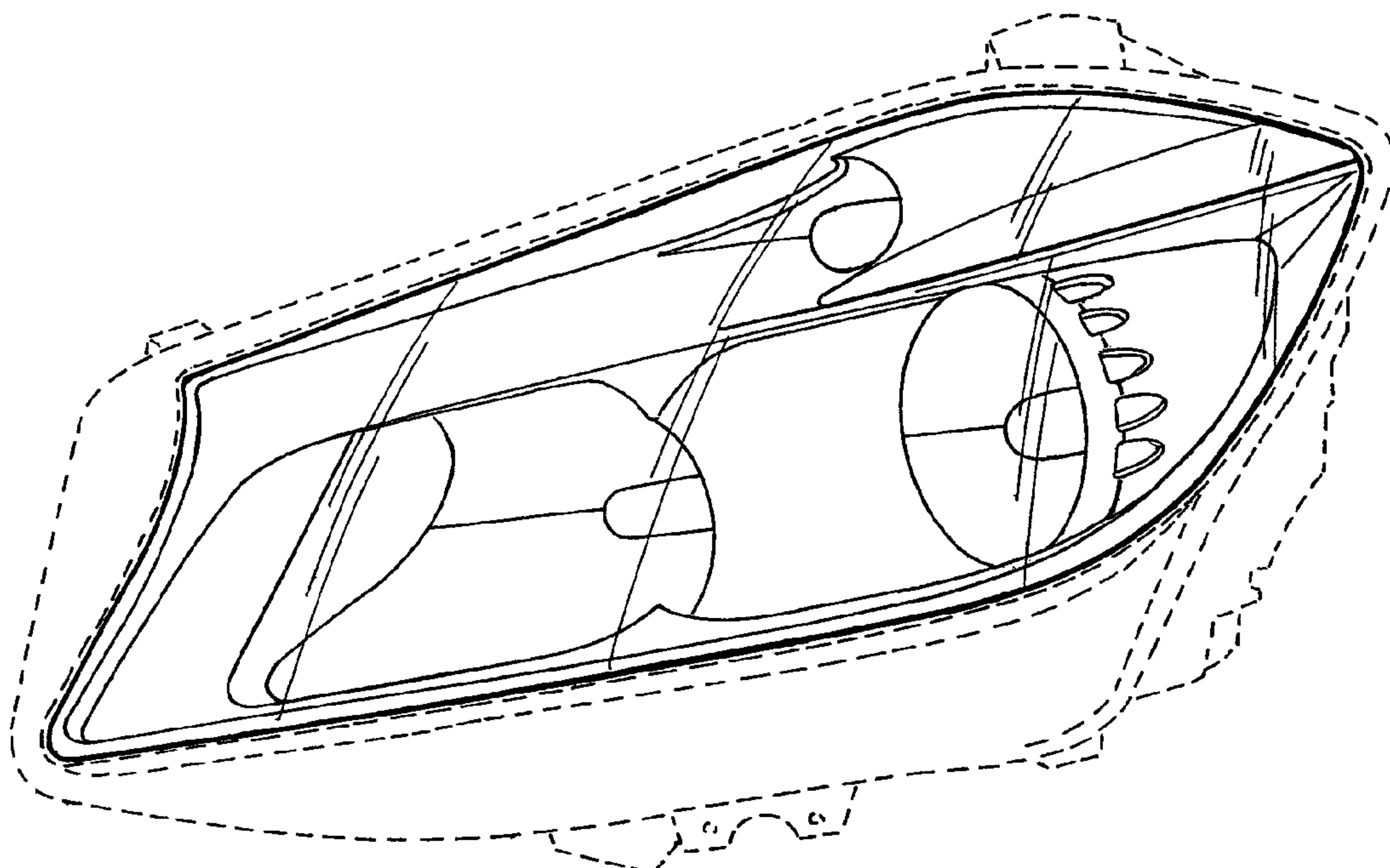
\* cited by examiner

FIG. 6 is a front view thereof; FIG. 7 is a left side view thereof; and, FIG. 8 is a top view thereof.

The broken lines are for illustrative purposes only and form no part of the claimed design.

*Primary Examiner* — Marcus Jackson

**1 Claim, 4 Drawing Sheets**



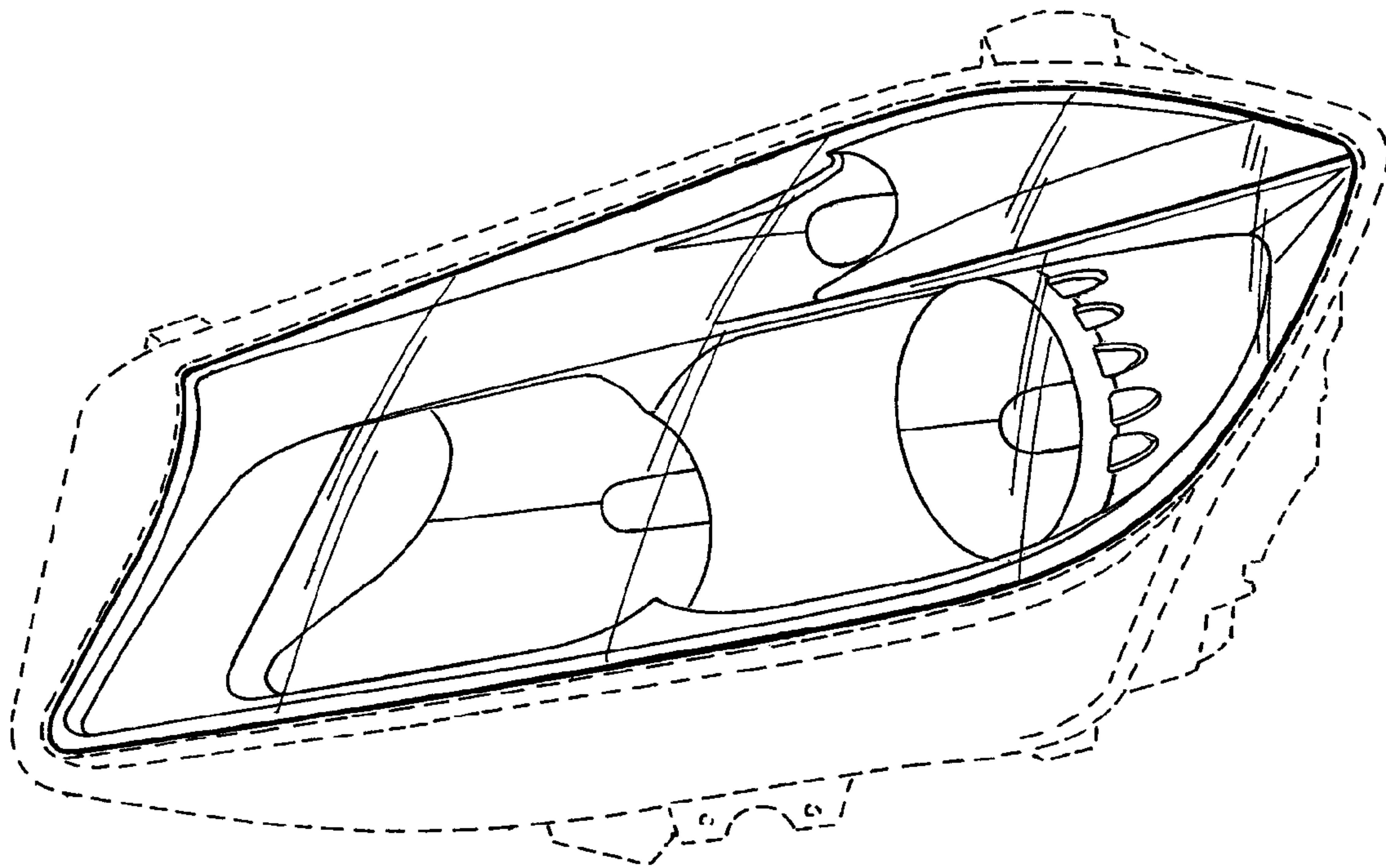


FIG. 1

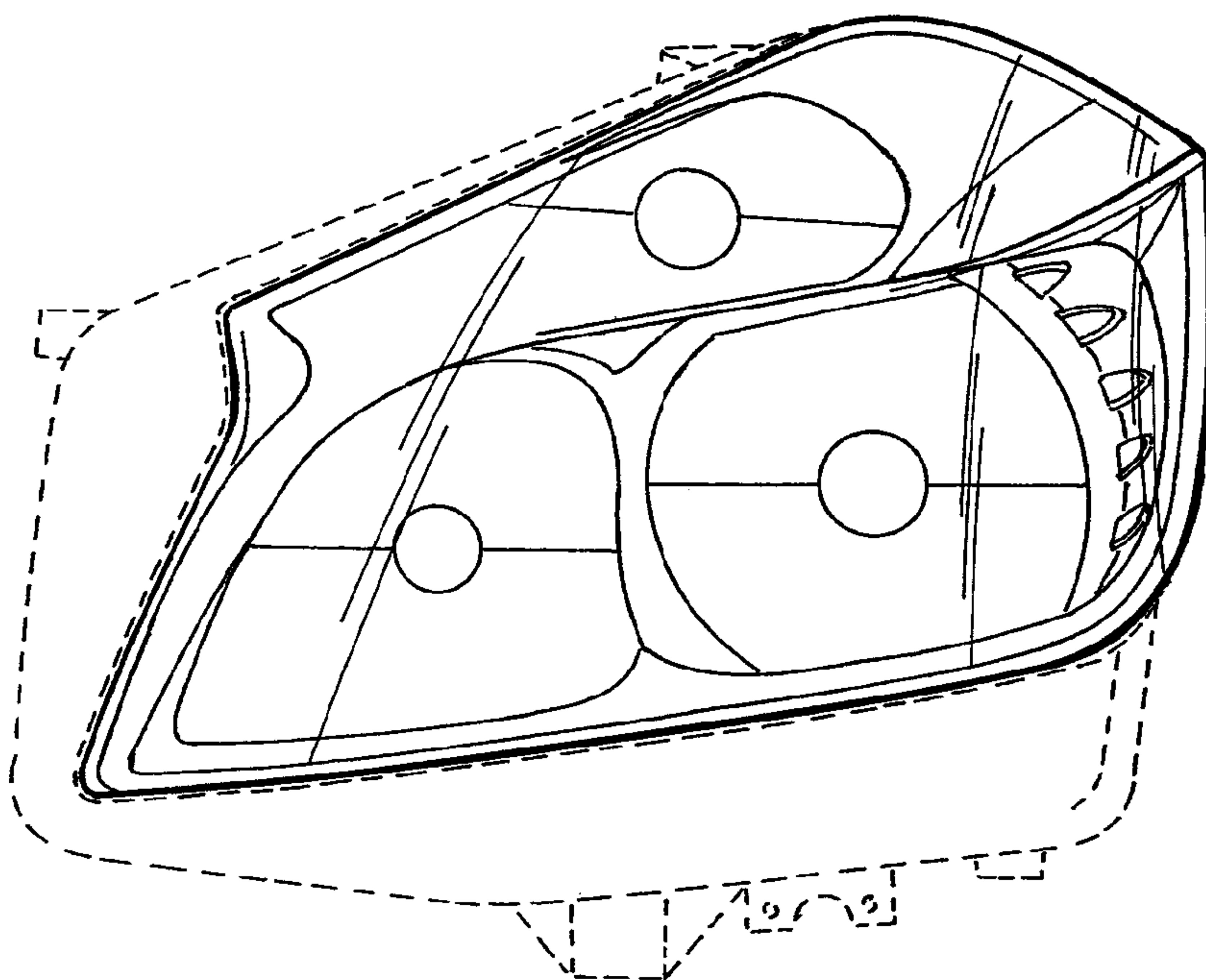
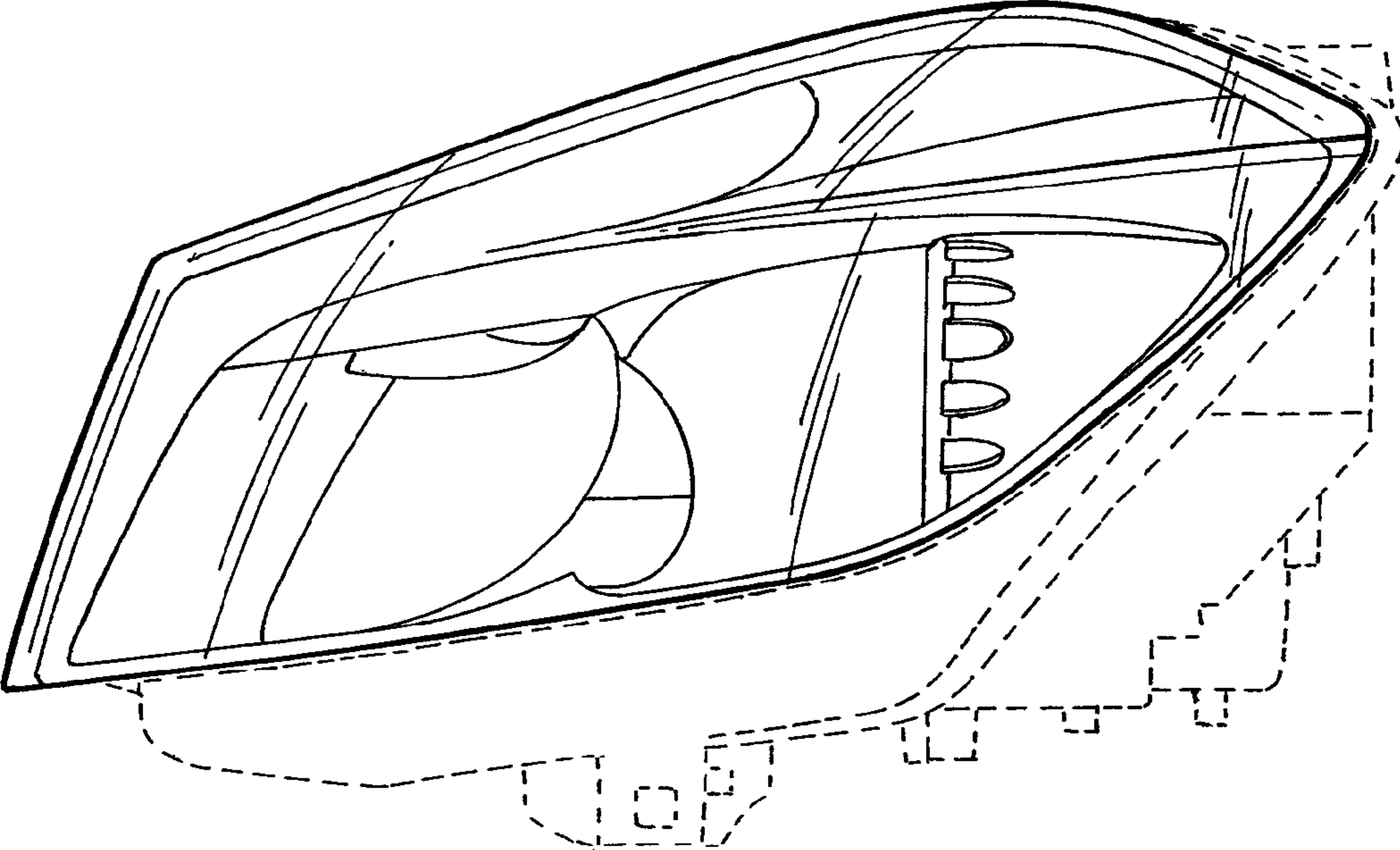
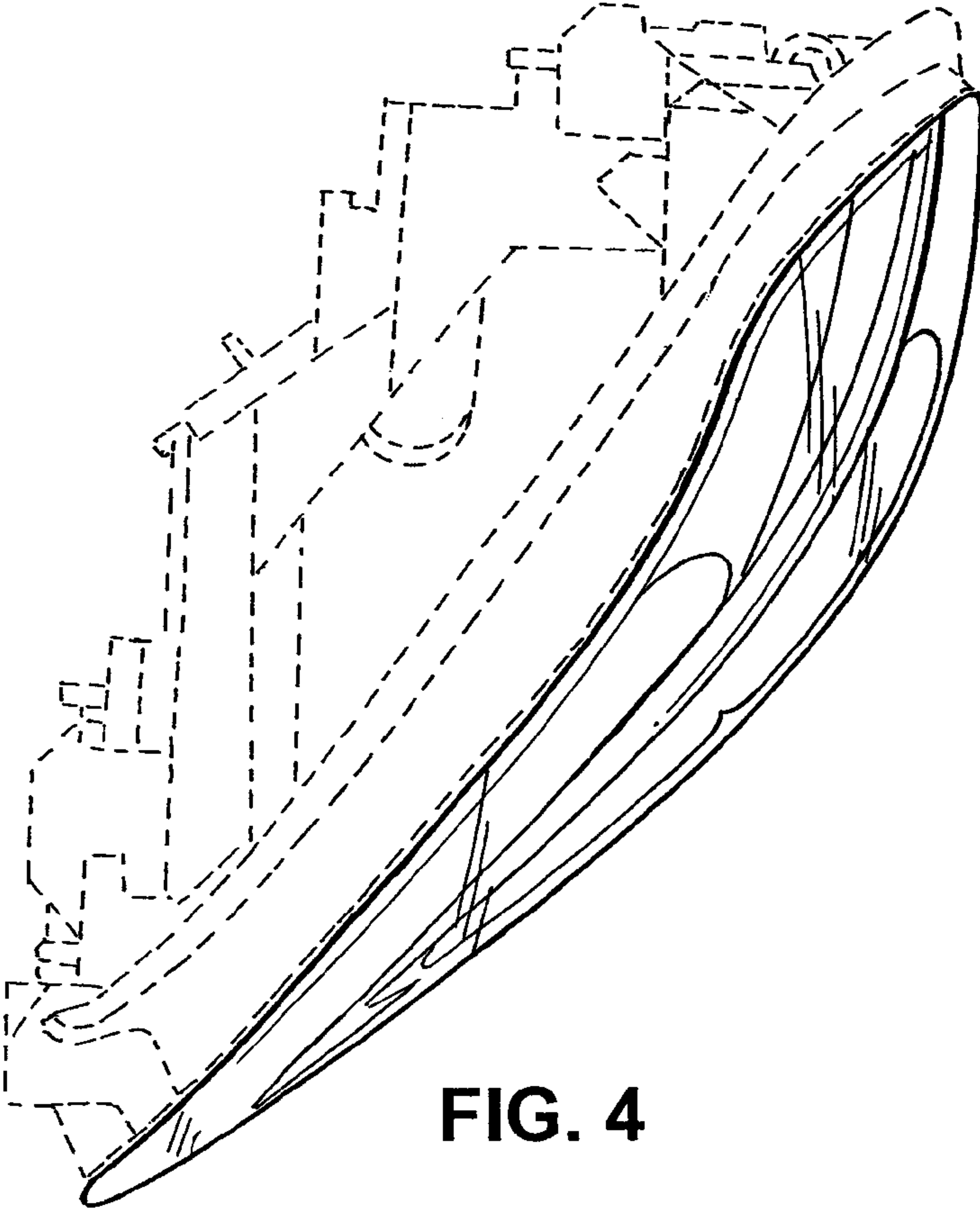


FIG. 2



**FIG. 3**



**FIG. 4**



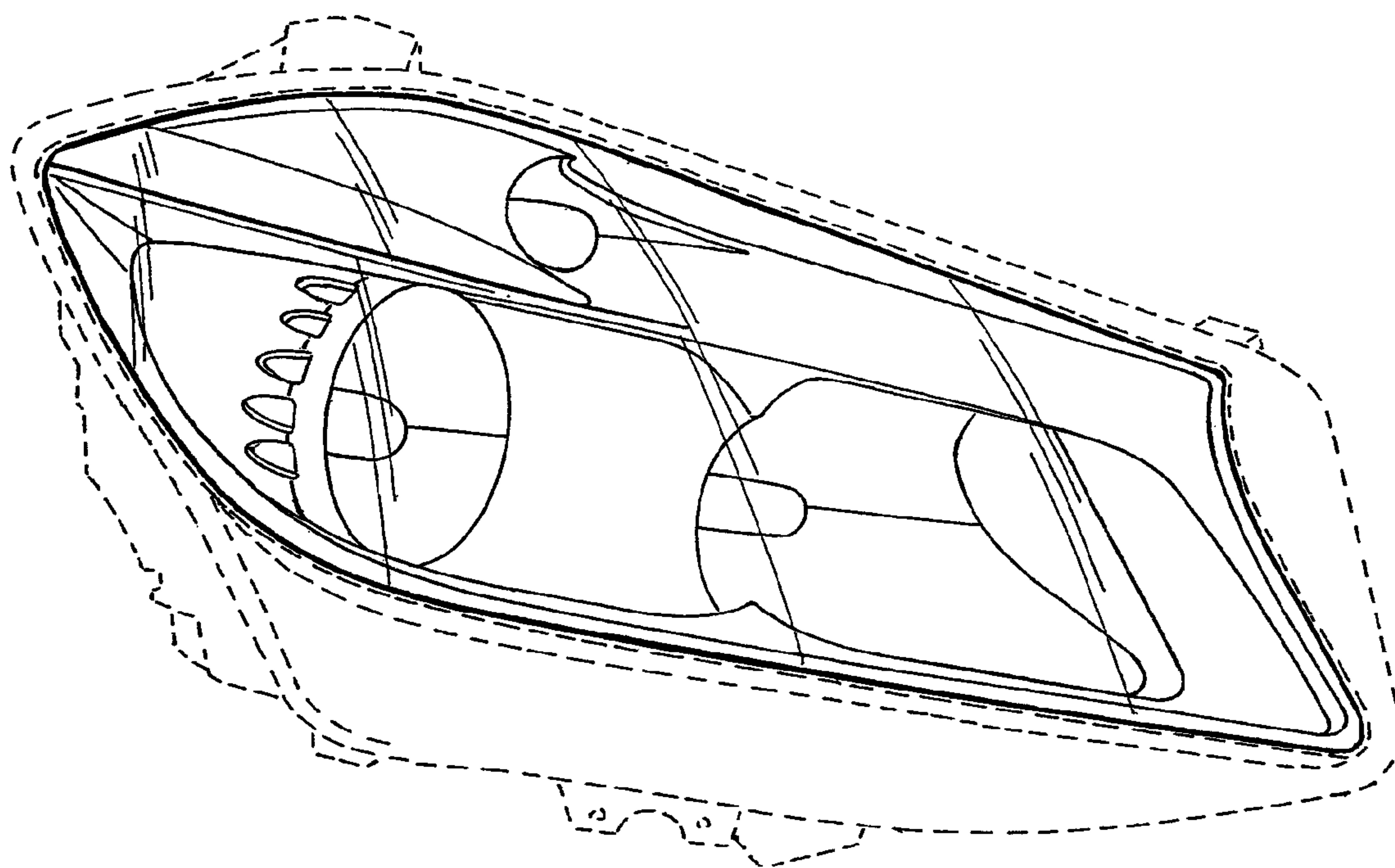


FIG. 5

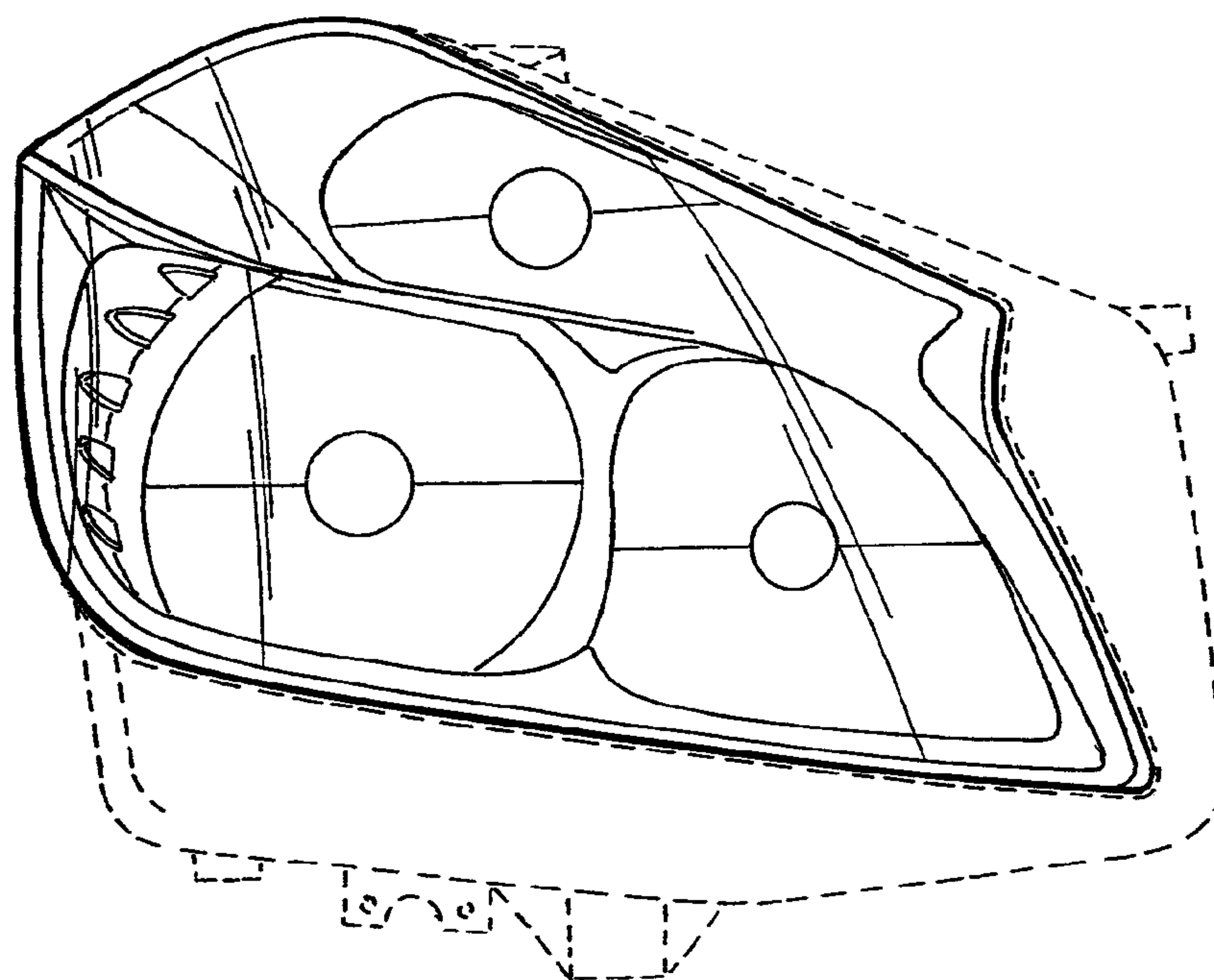


FIG. 6

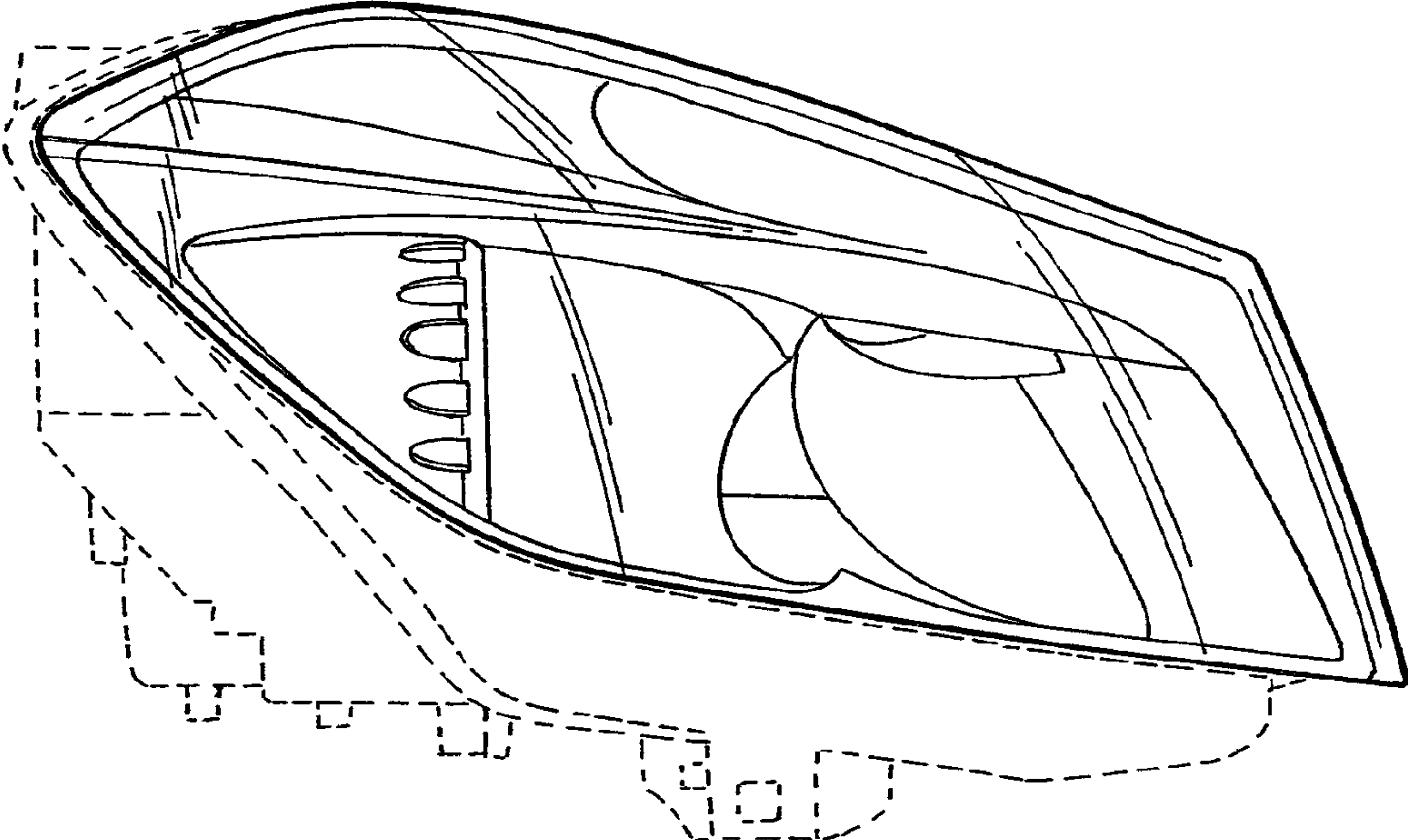


FIG. 7

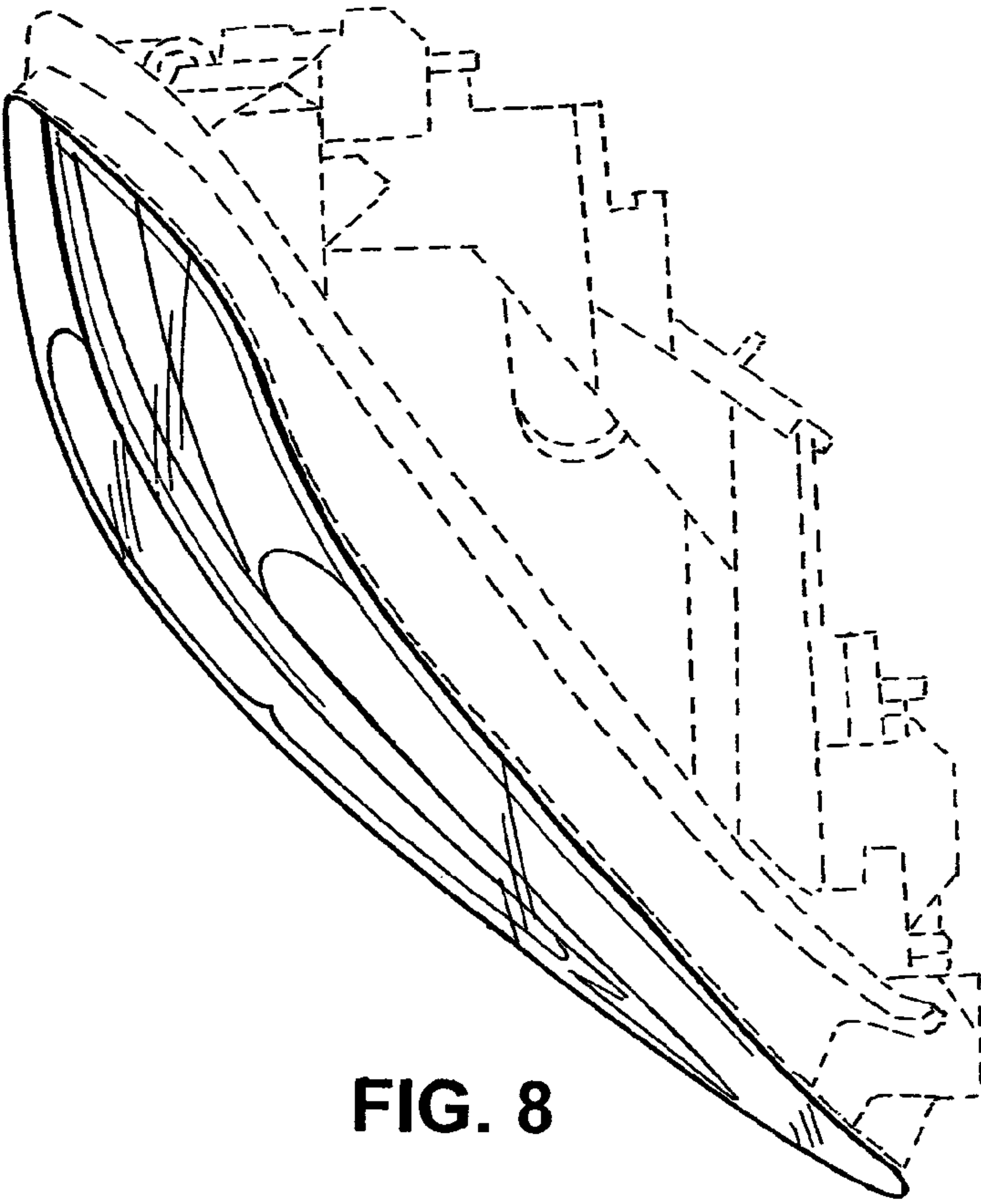


FIG. 8