



US00D679843S

(12) **United States Design Patent**
Hsu et al.

(10) **Patent No.:** **US D679,843 S**
(45) **Date of Patent:** **** Apr. 9, 2013**

(54) **LIGHT EMITTING DIODE LAMP**

(56) **References Cited**

(75) Inventors: **Ming-Cheng Hsu**, New Taipei (TW);
Che-Hsin Liao, New Taipei (TW);
Tsung-Chi Lai, New Taipei (TW);
Yi-Chu Hsieh, New Taipei (TW)

(73) Assignees: **Cal-Comp Electronics & Communications Company Limited**, New Taipei (TW); **Kinpo Electronics, Inc.**, New Taipei (TW)

(**) Term: **14 Years**

(21) Appl. No.: **29/384,546**

(22) Filed: **Feb. 1, 2011**

(51) **LOC (9) Cl.** **26-04**

(52) **U.S. Cl.**
USPC **D26/2**

(58) **Field of Classification Search** D26/1-4;
313/313, 315, 316, 317, 318, 493; 315/52,
315/53, 56, 57, 58

See application file for complete search history.

U.S. PATENT DOCUMENTS

D610,722 S *	2/2010	Bi	D26/2
D626,260 S *	10/2010	Wei	D26/2
D628,319 S *	11/2010	Yoshinobu et al.	D26/2
D629,129 S *	12/2010	Lin et al.	D26/2
D630,347 S *	1/2011	Pei et al.	D26/2
D630,775 S *	1/2011	Pan	D26/2
D631,577 S *	1/2011	Yoshinobu et al.	D26/2
D646,406 S *	10/2011	Tsai et al.	D26/2

* cited by examiner

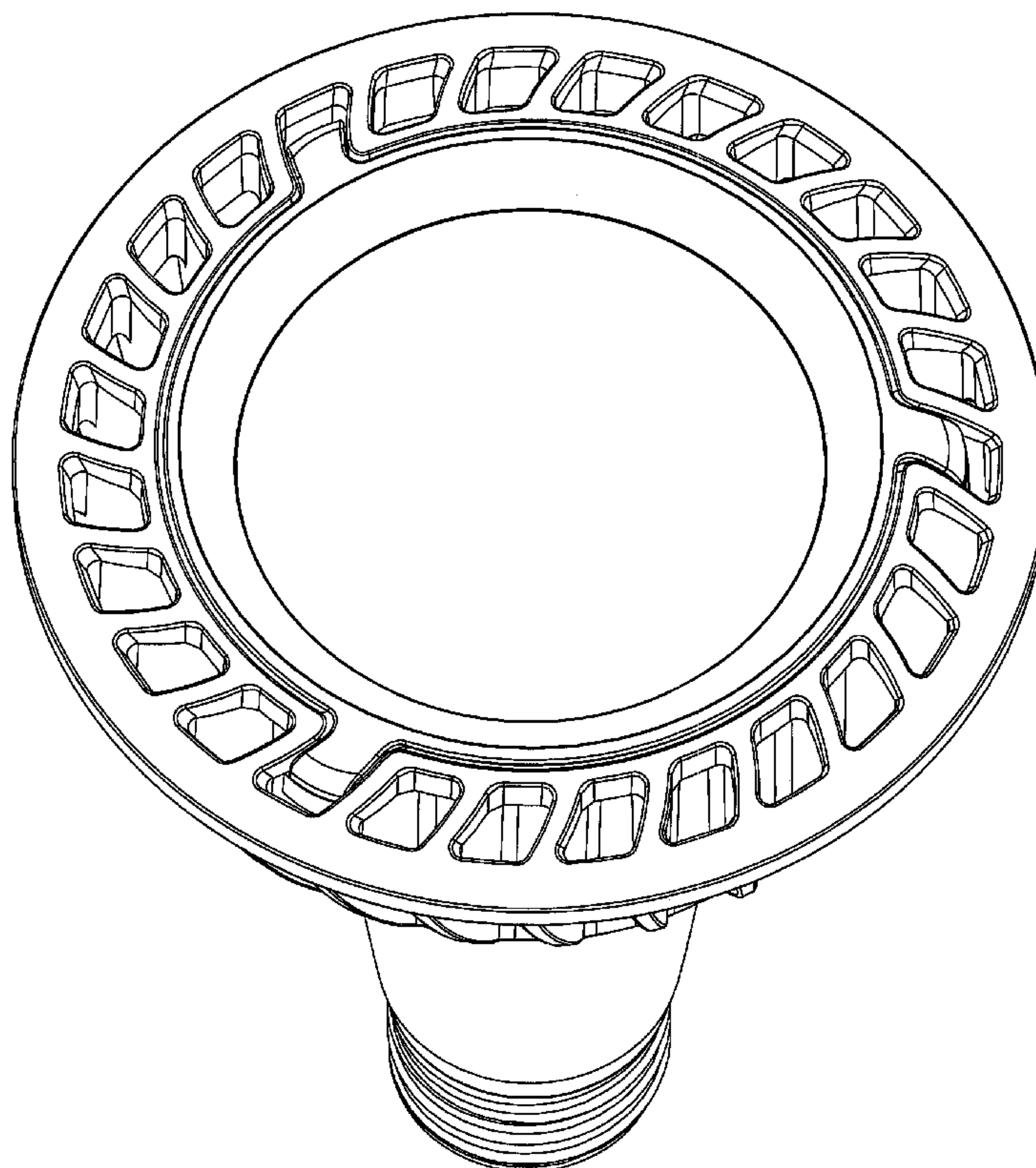
Primary Examiner — Marcus Jackson
(74) *Attorney, Agent, or Firm* — Jianq Chyun IP Office

(57) **CLAIM**
The ornamental design for a light emitting diode lamp, as shown and described.

DESCRIPTION

FIG. 1 is a perspective view of a lighting emitting diode lamp showing a first embodiment of our new design; FIG. 2 is another perspective view thereof; FIG. 3 is a front view thereof; FIG. 4 is a rear view thereof; FIG. 5 is a left side view thereof; FIG. 6 is a right side view thereof; FIG. 7 is a top view thereof; and, FIG. 8 is a bottom view thereof.

1 Claim, 8 Drawing Sheets



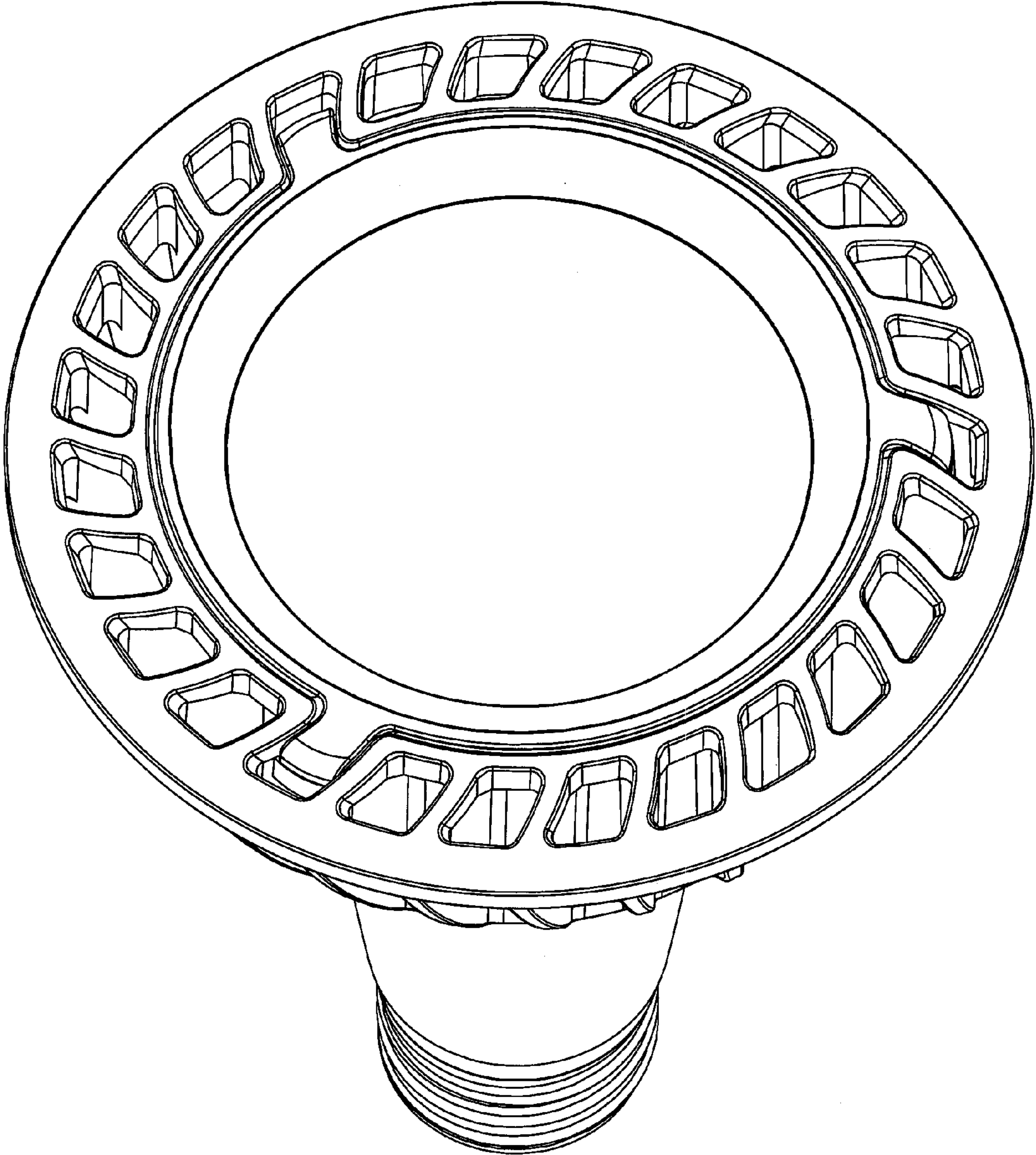


FIG. 1

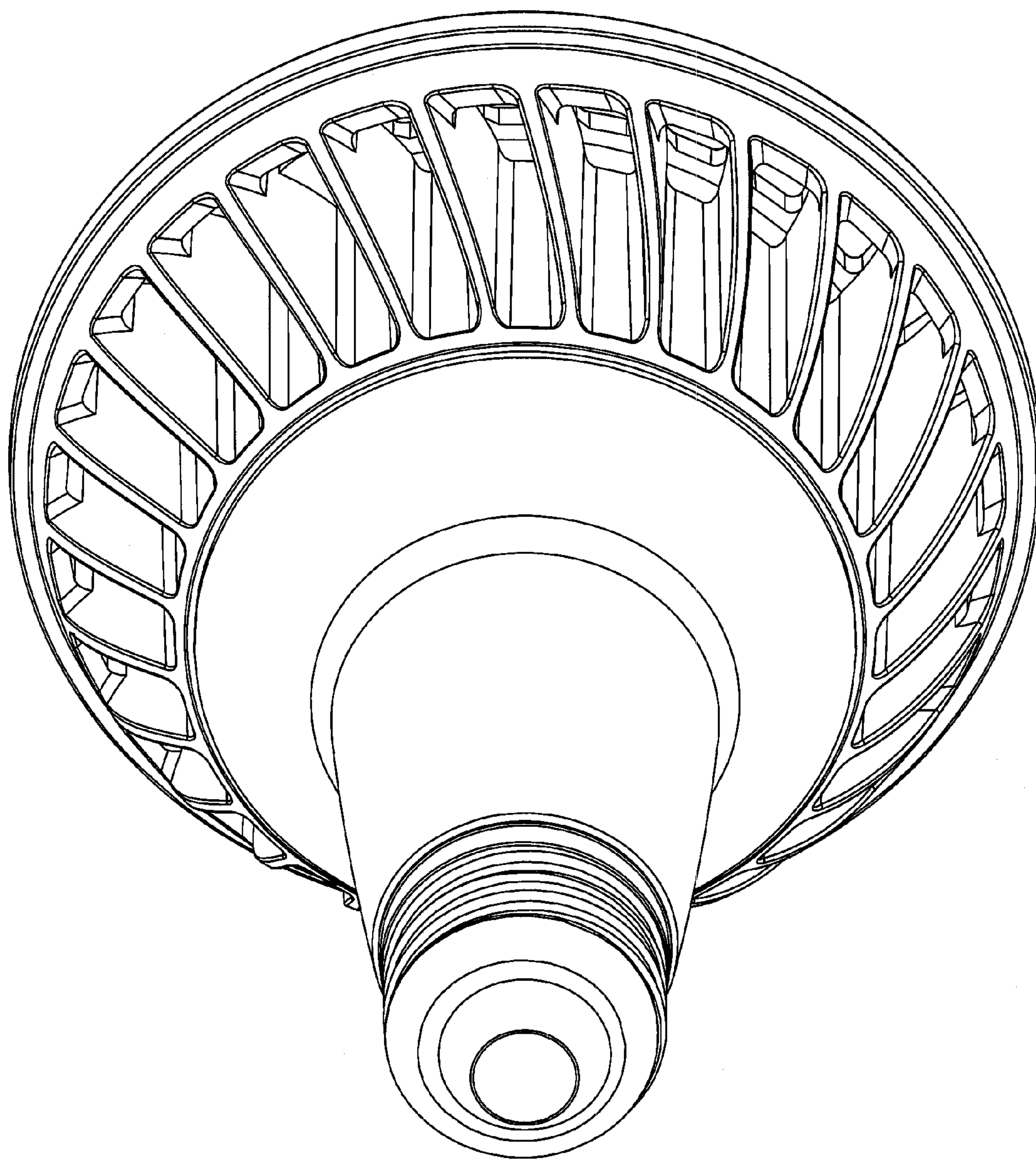


FIG. 2

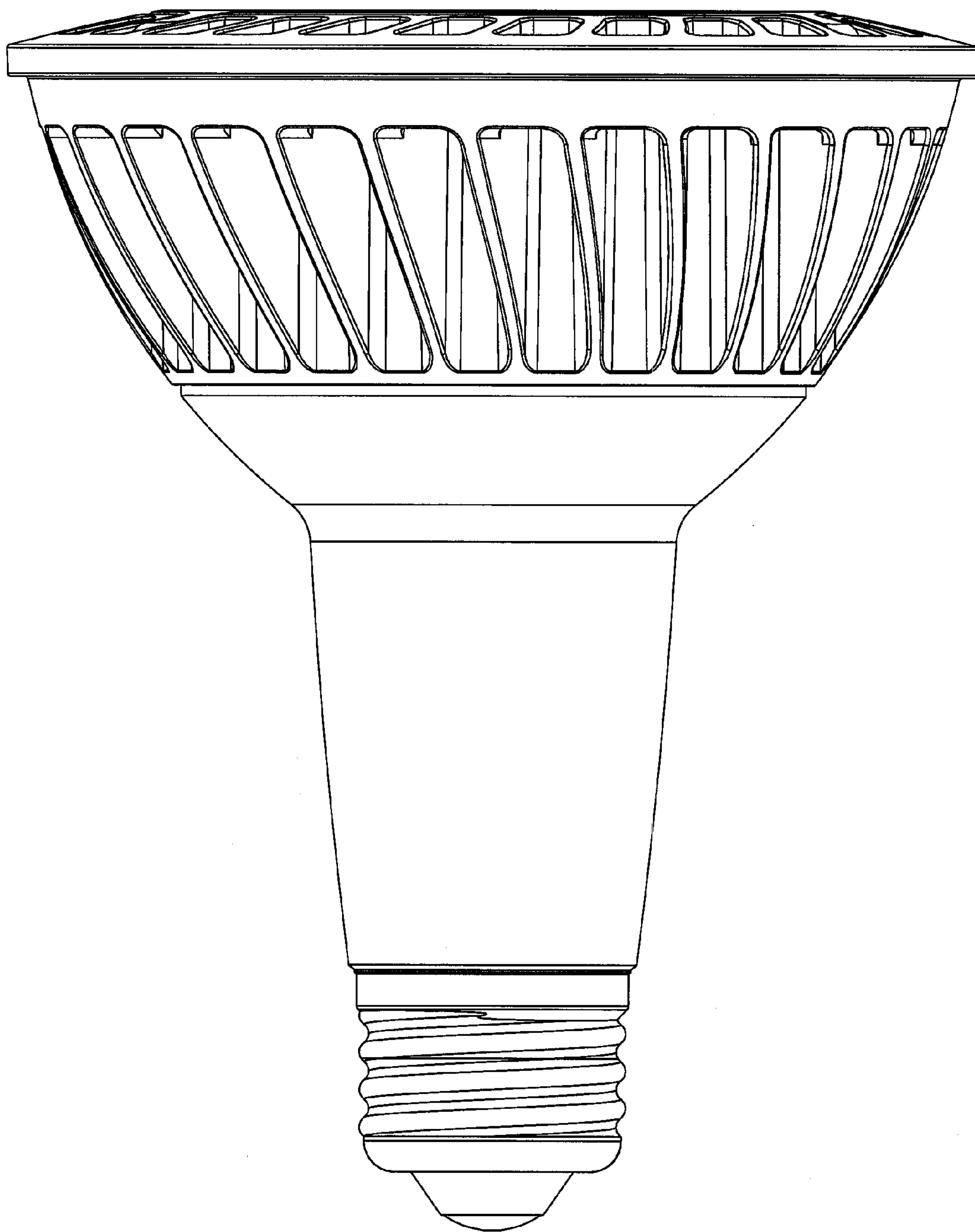


FIG. 3

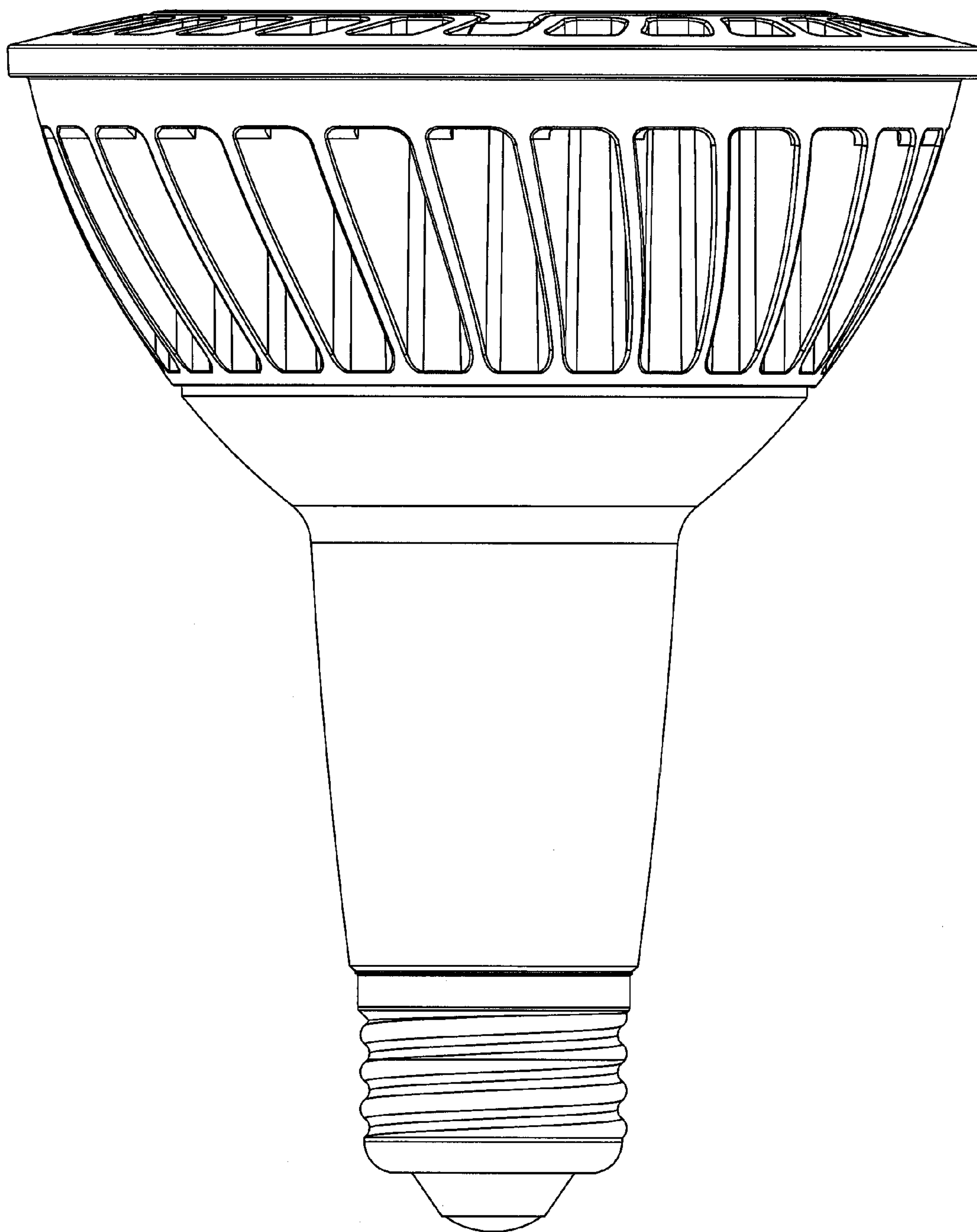


FIG. 4

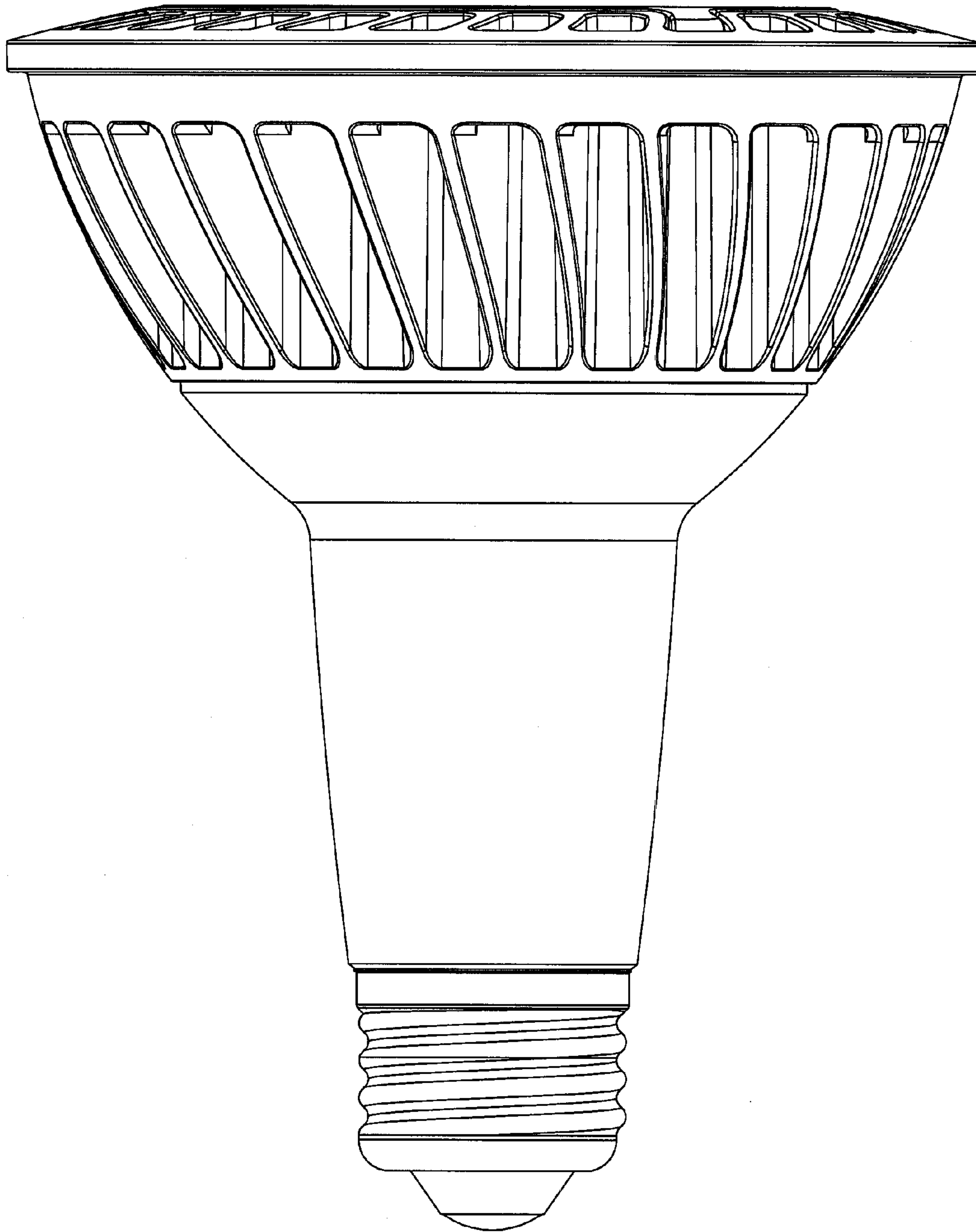


FIG. 5

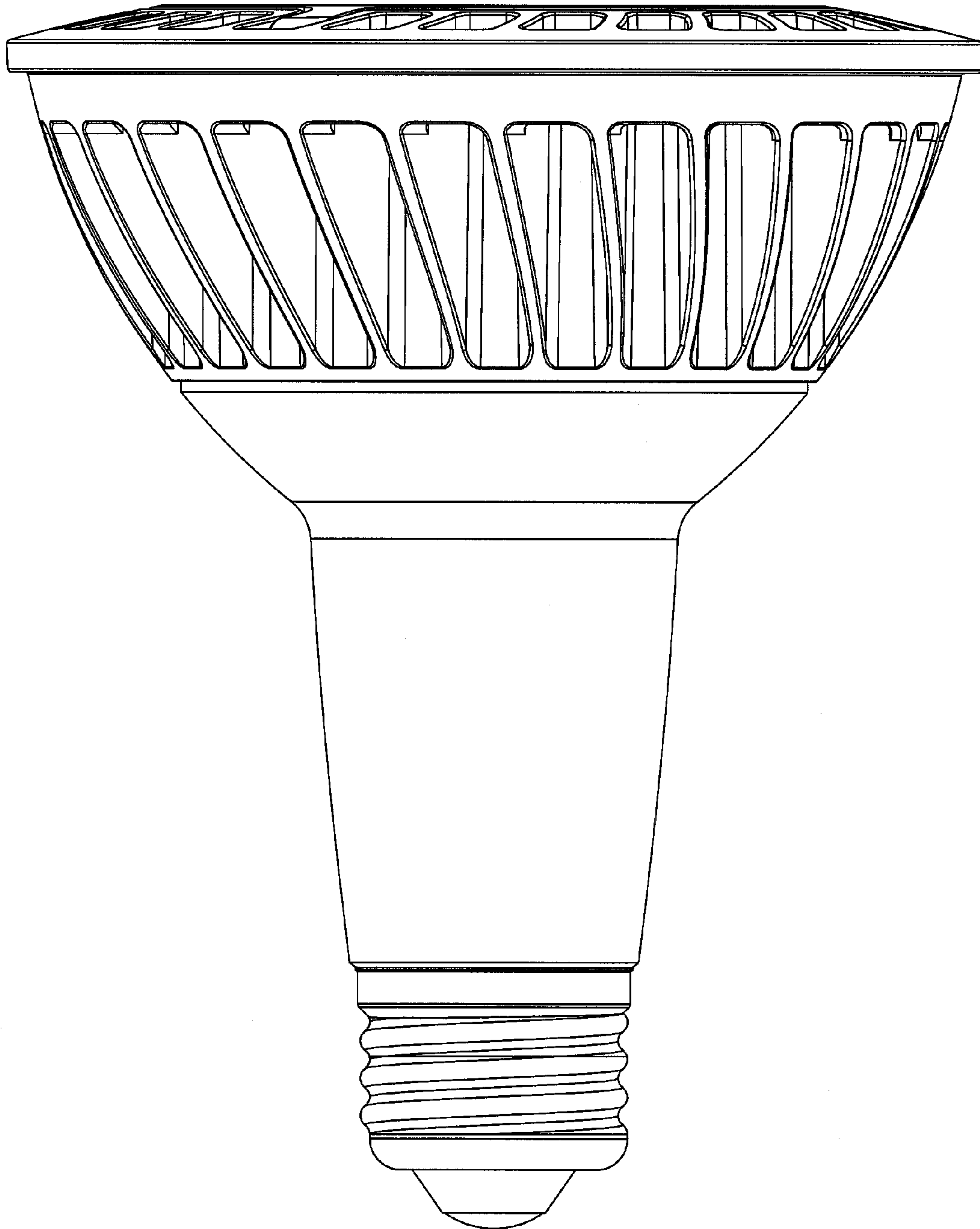


FIG. 6

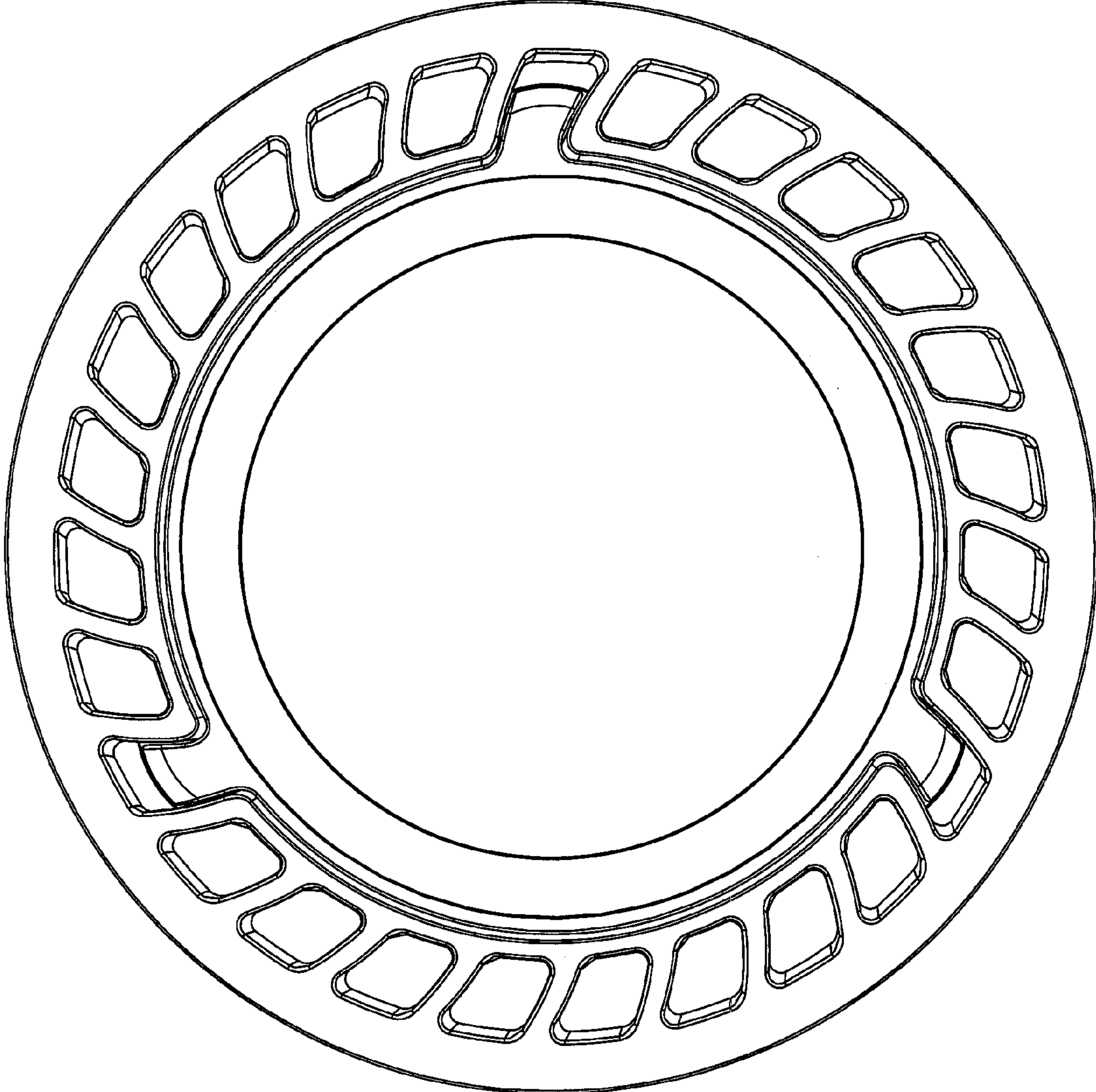


FIG. 7

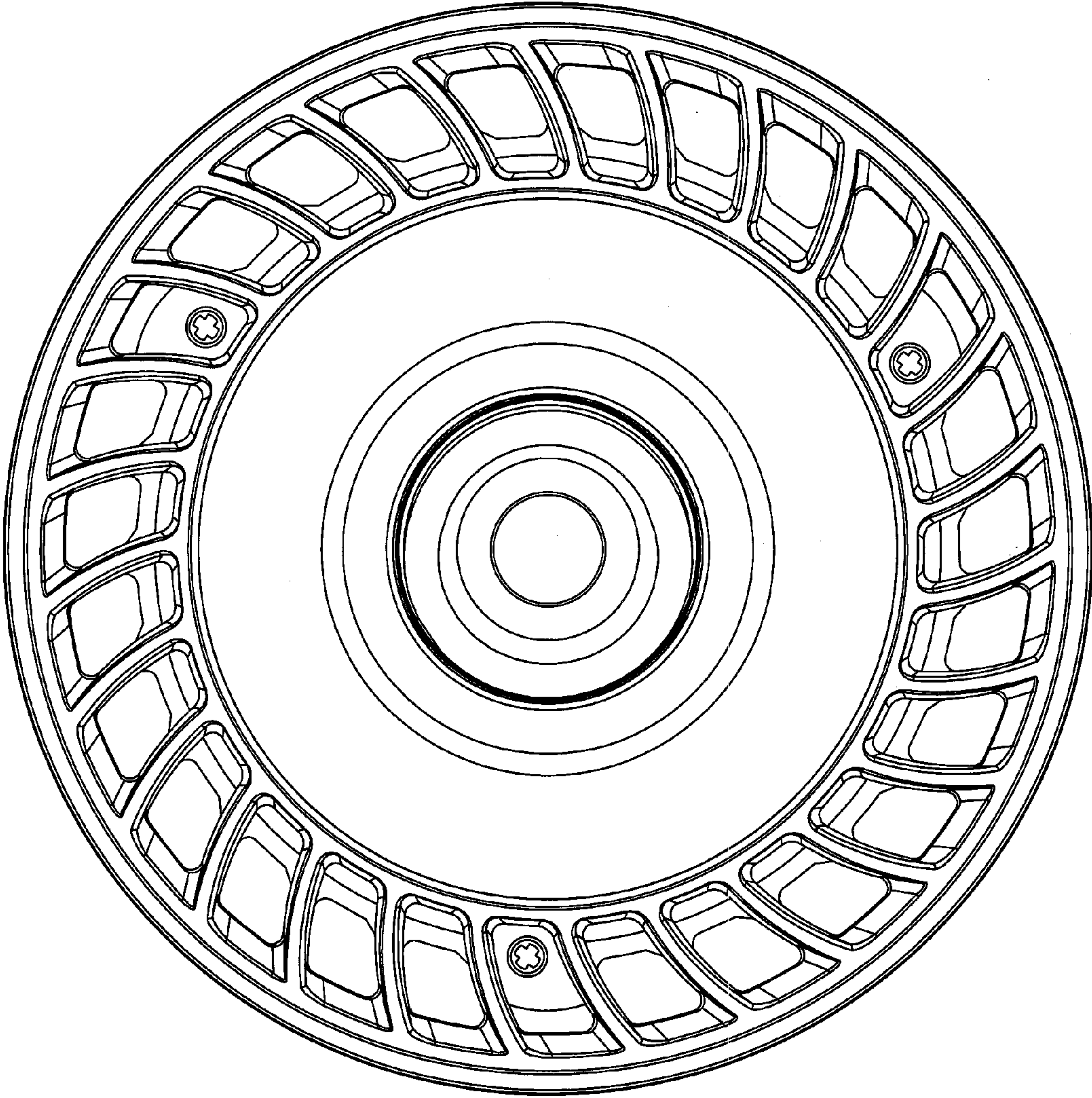


FIG. 8