



US00D679841S

(12) **United States Design Patent**
Maehata et al.

(10) **Patent No.:** **US D679,841 S**

(45) **Date of Patent:** **** Apr. 9, 2013**

(54) **LIGHT SOURCE UNIT**

(75) Inventors: **Takeaki Maehata**, Miyagi-ken (JP);
Takuya Nagai, Miyagi-ken (JP);
Yoshihiro Someno, Miyagi-ken (JP)

(73) Assignee: **Alps Electric Co., Ltd.**, Tokyo (JP)

(**) Term: **14 Years**

(21) Appl. No.: **29/381,233**

(22) Filed: **Dec. 16, 2010**

(30) **Foreign Application Priority Data**

Jun. 23, 2010 (JP) 2010-015393

(51) **LOC (9) Cl.** **26-04**

(52) **U.S. Cl.**
USPC **D26/1**

(58) **Field of Classification Search** D26/1-5;
313/313, 315, 316, 317, 318, 493; 315/52,
315/53, 56, 57, 58

See application file for complete search history.

(56) **References Cited**

U.S. PATENT DOCUMENTS

D565,750	S	*	4/2008	Egawa	D26/1
D594,576	S	*	6/2009	Chan et al.	D26/1
D621,968	S	*	8/2010	Schultz	D26/1
D663,048	S	*	7/2012	Chen	D26/1

* cited by examiner

Primary Examiner — Marcus Jackson

(74) *Attorney, Agent, or Firm* — Brinks Hofer Gilson & Lione

(57) **CLAIM**

The ornamental design for a light source unit, as shown and described.

DESCRIPTION

FIG. 1 is a front view of a light source unit.
FIG. 2 is a rear view thereof;
FIG. 3 is a top view thereof;
FIG. 4 is a bottom view thereof;
FIG. 5 is a right side view thereof;
FIG. 6 is a left side view thereof; and,
FIG. 7 is a perspective view thereof.

1 Claim, 6 Drawing Sheets

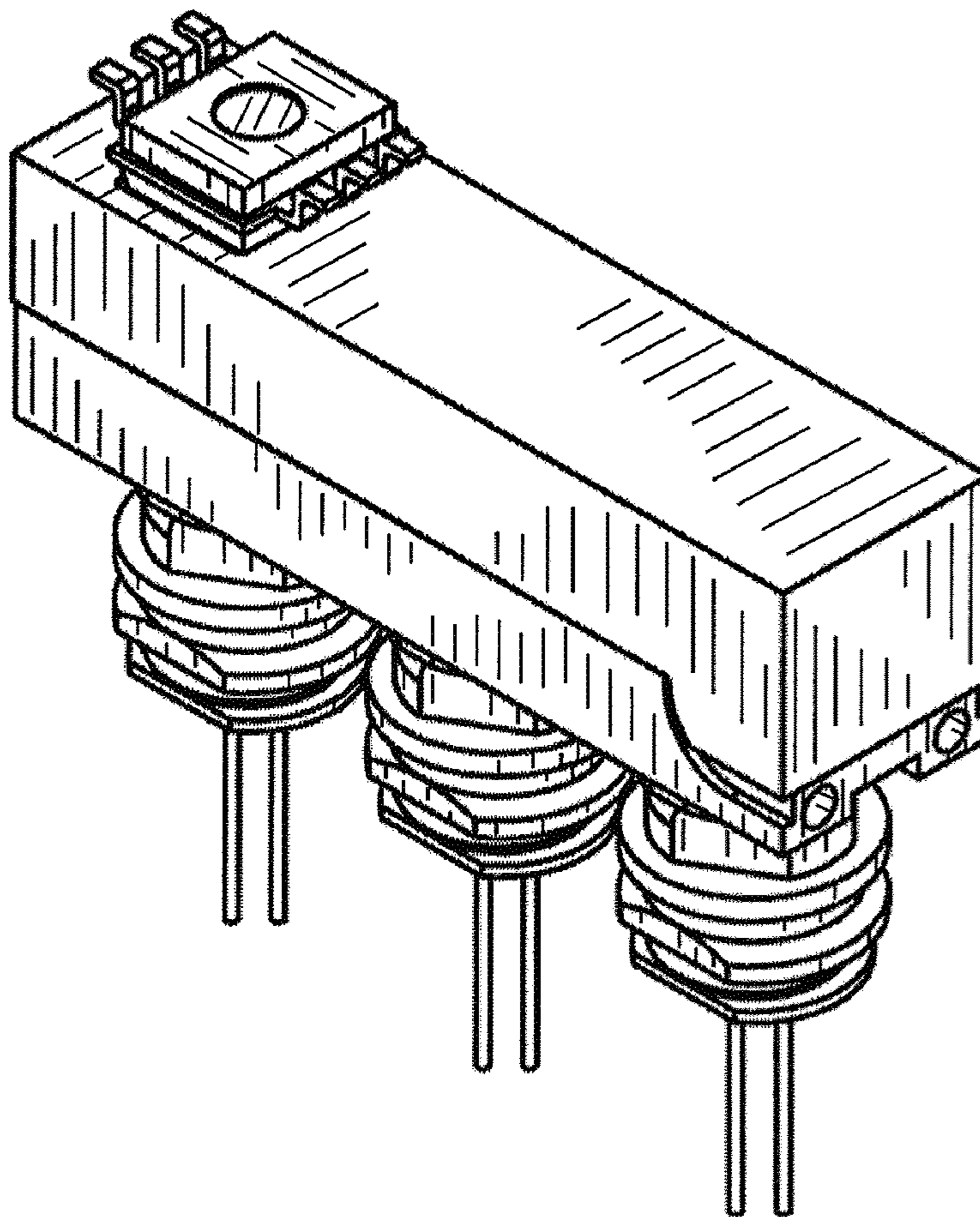


FIG. 1

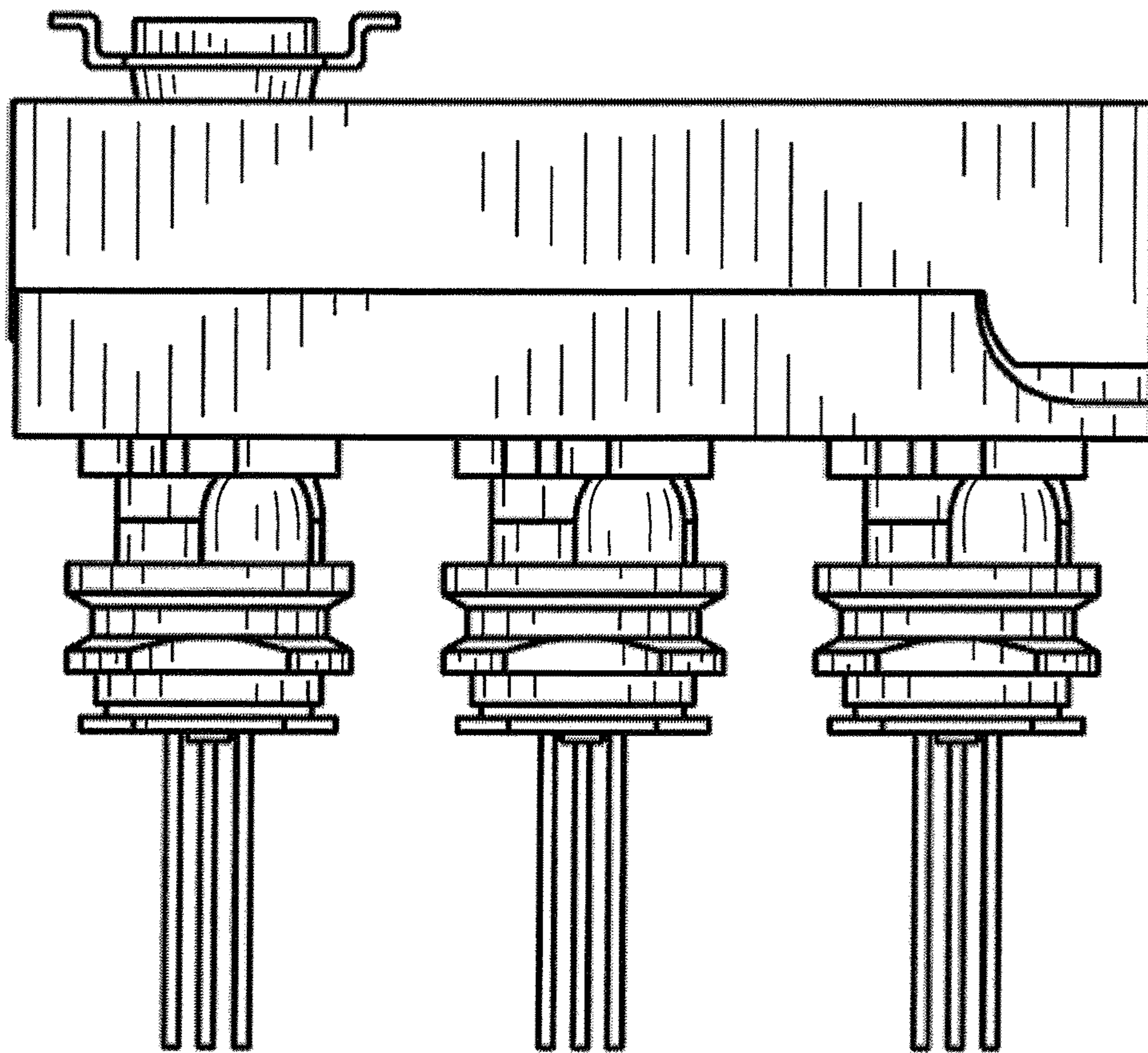


FIG. 2

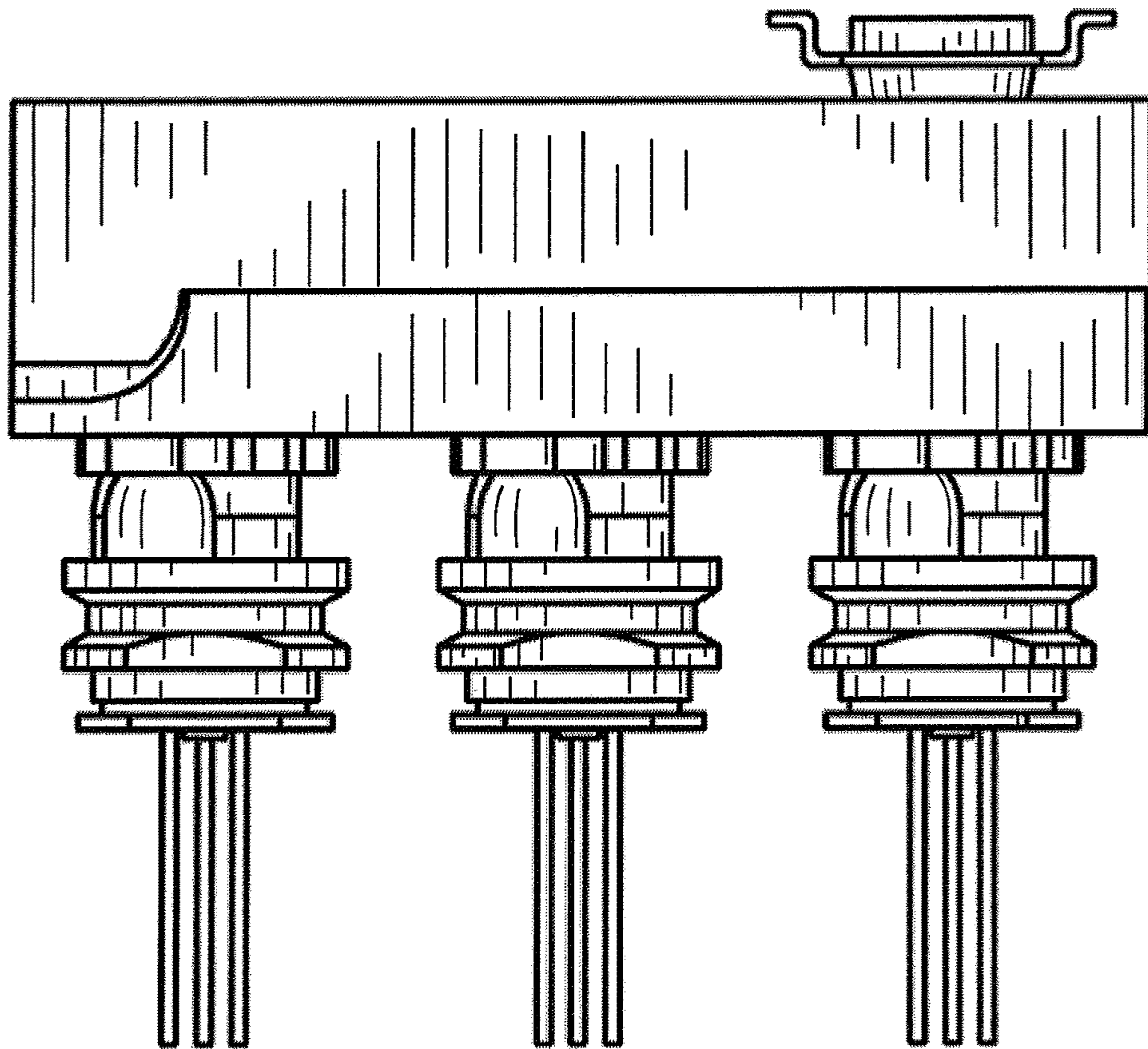


FIG. 3

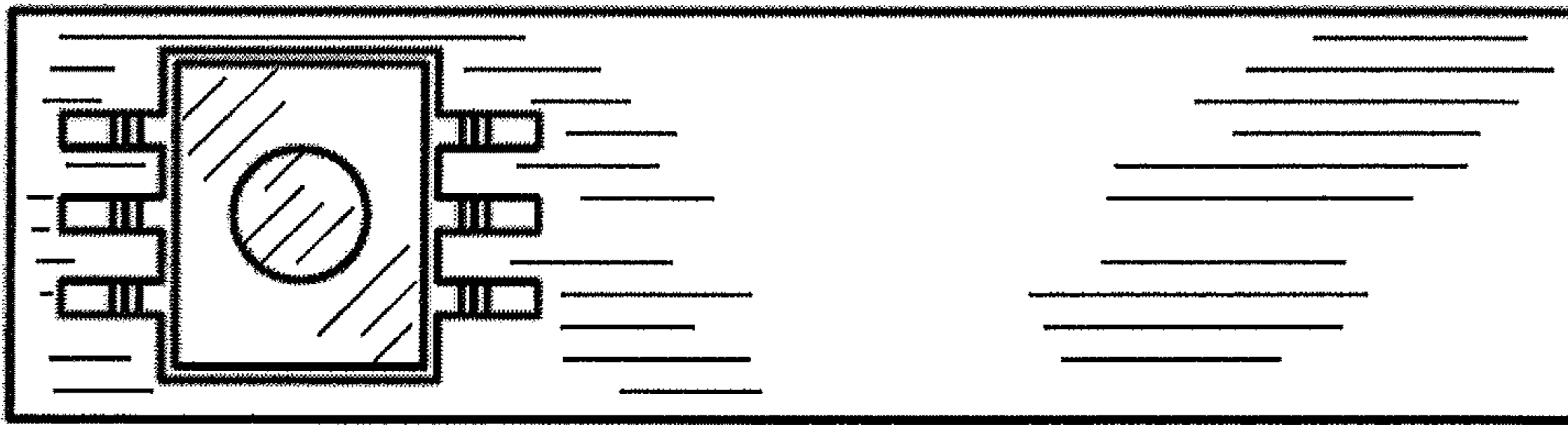


FIG. 4

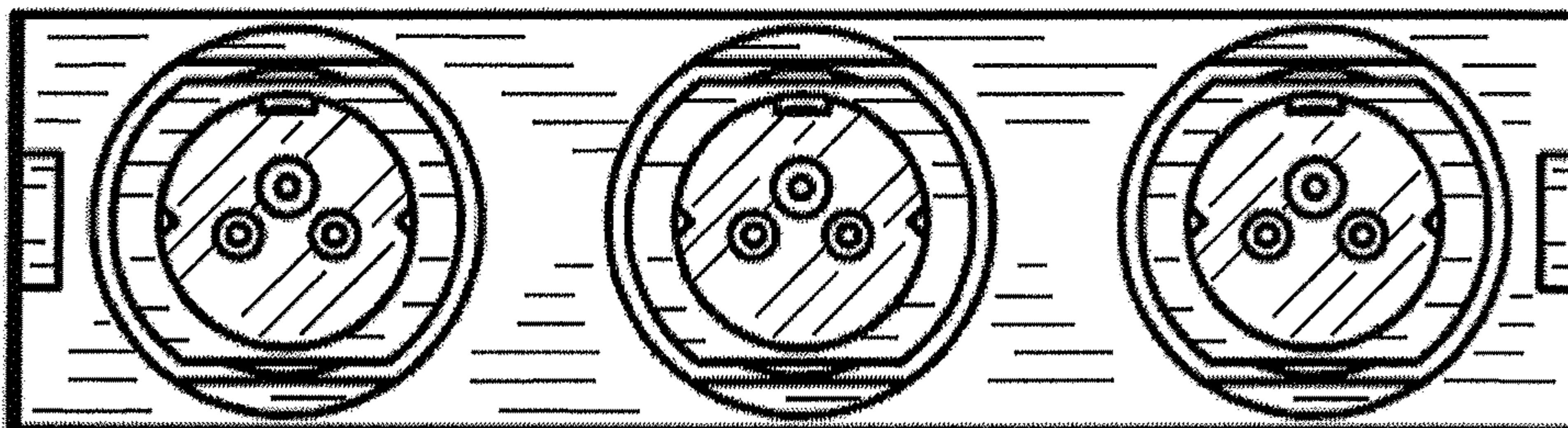


FIG. 5

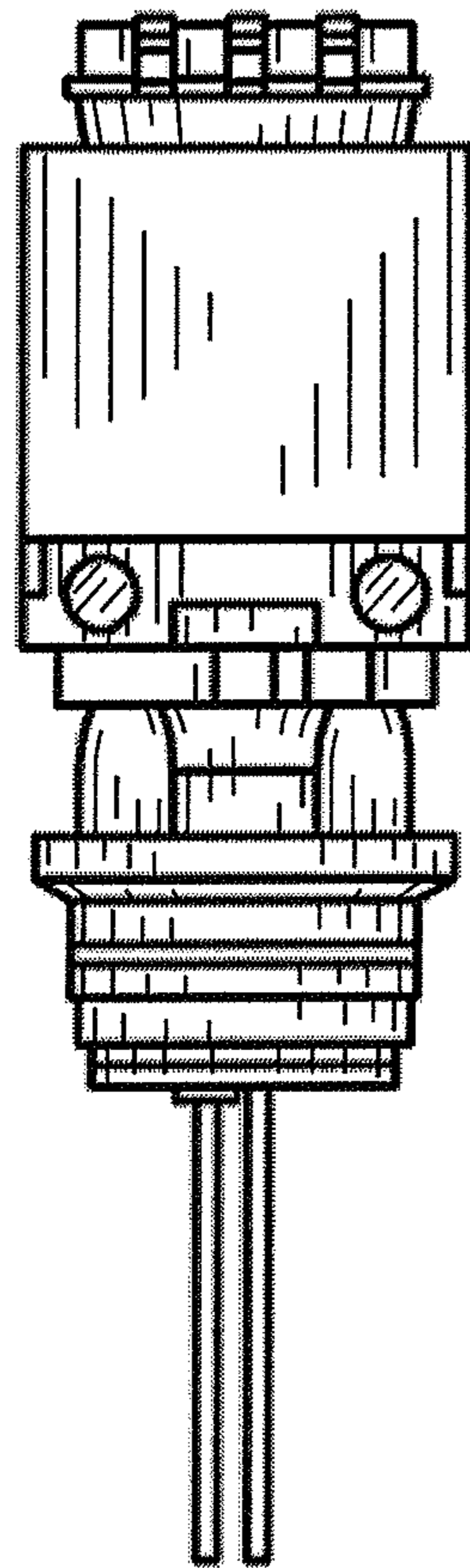


FIG. 6

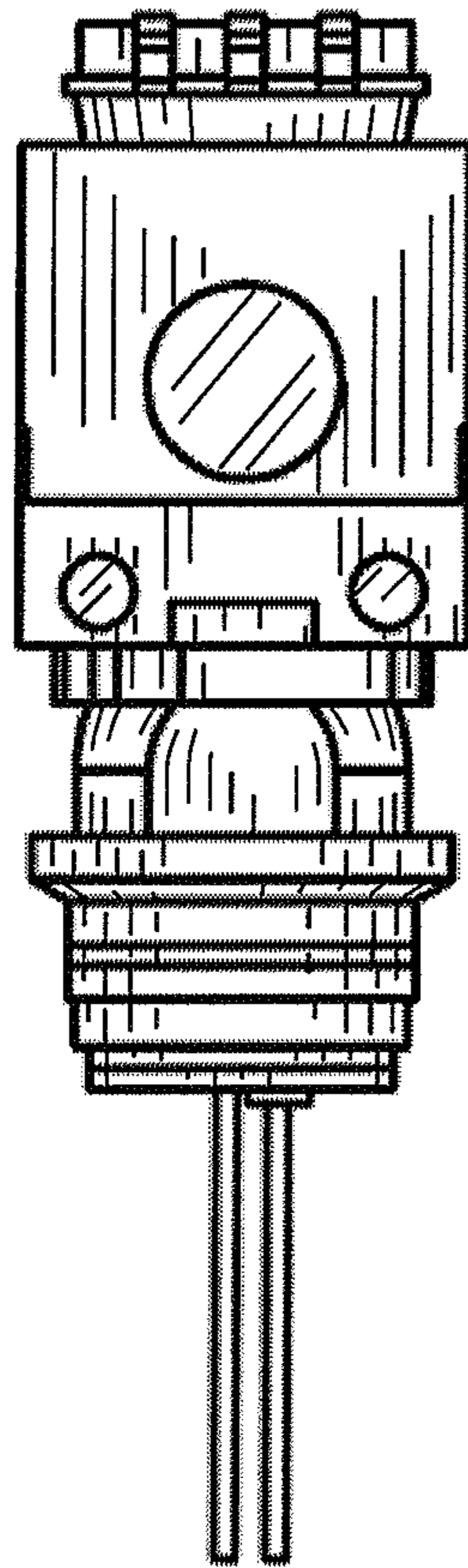


FIG. 7

