

US00D679838S

(12) **United States Design Patent**  
**Amend**

(10) **Patent No.:** **US D679,838 S**

(45) **Date of Patent:** **\*\* Apr. 9, 2013**

(54) **FILMLESS INSULATING FLOOR/WALL PANEL**

(76) Inventor: **Victor Amend**, Toronto (CA)

(\*\*) Term: **14 Years**

(21) Appl. No.: **29/394,926**

(22) Filed: **Jun. 23, 2011**

**Related U.S. Application Data**

(63) Continuation-in-part of application No. 29/391,866, filed on May 13, 2011.

(51) **LOC (9) Cl.** ..... **25-01**

(52) **U.S. Cl.** ..... **D25/163; D25/138; D25/158**

(58) **Field of Classification Search** ..... 52/302.1, 52/302.2, 310, 302.3, 302.7, 506.01, 506.04, 52/404.1, 408, 169.5, 169.14, 169.11; D25/138, D25/158, 163  
See application file for complete search history.

(56) **References Cited**

**U.S. PATENT DOCUMENTS**

4,574,541	A *	3/1986	Raidt et al.	.....	52/169.5
D329,297	S *	9/1992	Smith	.....	D25/138
D493,897	S *	8/2004	Campacci	.....	D25/163
7,585,556	B2 *	9/2009	Julton	.....	428/156

\* cited by examiner

*Primary Examiner* — Doris Clark

(57) **CLAIM**

The ornamental design for a filmless insulating floor/wall panel, as shown and described.

**DESCRIPTION**

FIG. 1 is a front perspective view of one embodiment of the filmless insulating floor/wall panel in accordance with my design;

FIG. 2 is a top view of the filmless insulating floor/wall panel of FIG. 1;

FIG. 3 is a side view of the filmless insulating floor/wall panel of FIG. 1;

FIG. 4 is an end view of the filmless insulating floor/wall panel of FIG. 1;

FIG. 5 is a back view of the filmless insulating floor/wall panel of FIG. 1;

FIG. 6 is a front perspective view of another embodiment of the filmless insulating floor/wall panel in accordance with my design;

FIG. 7 is a top view of the filmless insulating floor/wall panel of FIG. 6;

FIG. 8 is a side view of the filmless insulating floor/wall panel of FIG. 6;

FIG. 9 is an end view of the filmless insulating floor/wall panel of FIG. 6;

FIG. 10 is a back view of the filmless insulating floor/wall panel of FIG. 6;

FIG. 11 is a front perspective view of another embodiment of the filmless insulating floor/wall panel in accordance with my design;

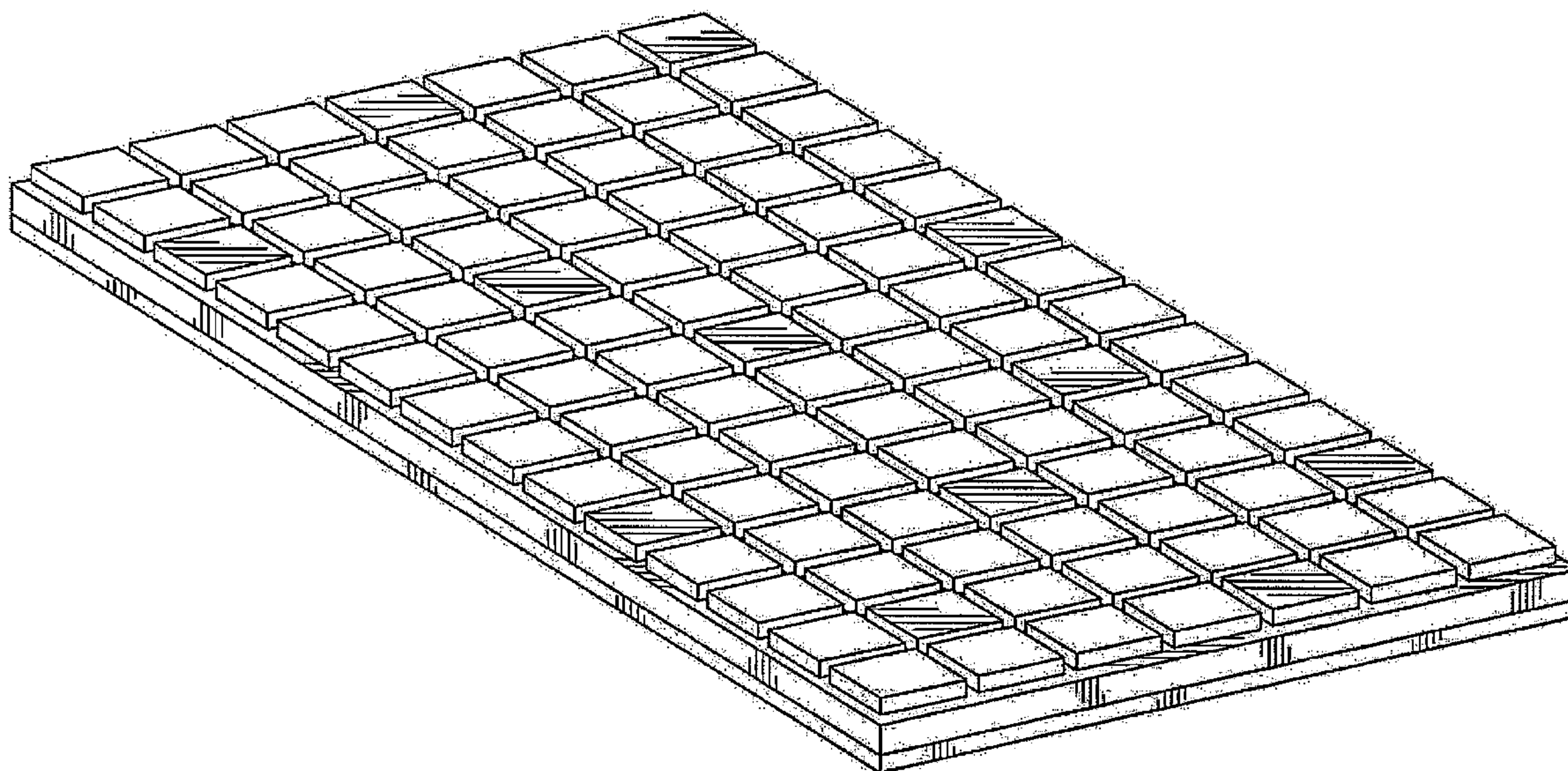
FIG. 12 is a top view of the filmless insulating floor/wall panel of FIG. 11;

FIG. 13 is a side view of the filmless insulating floor/wall panel of FIG. 11;

FIG. 14 is an end view of the filmless insulating floor/wall panel of FIG. 11; and,

FIG. 15 is a back view of the filmless insulating floor/wall panel of FIG. 11.

**1 Claim, 9 Drawing Sheets**



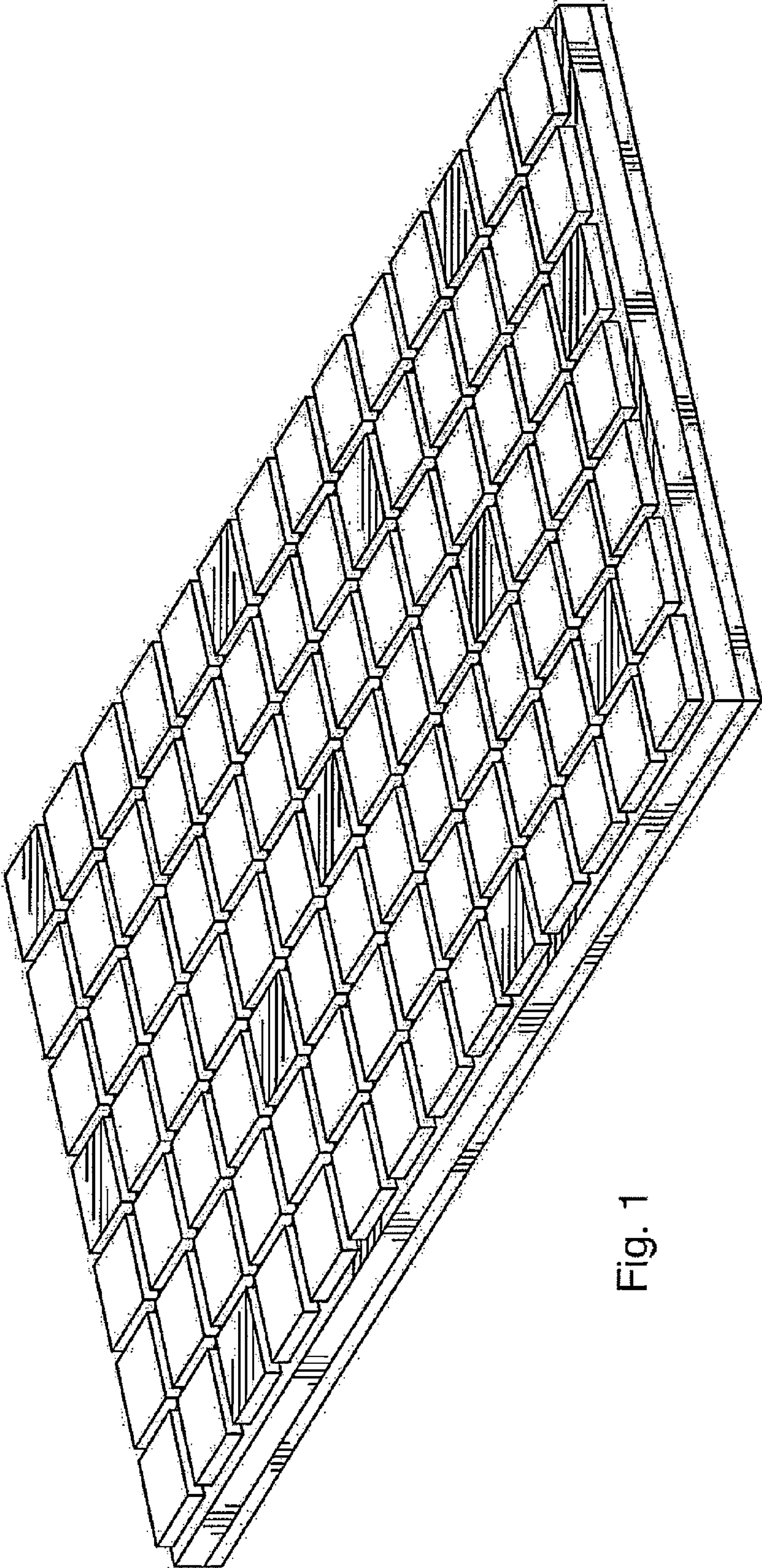


Fig. 1



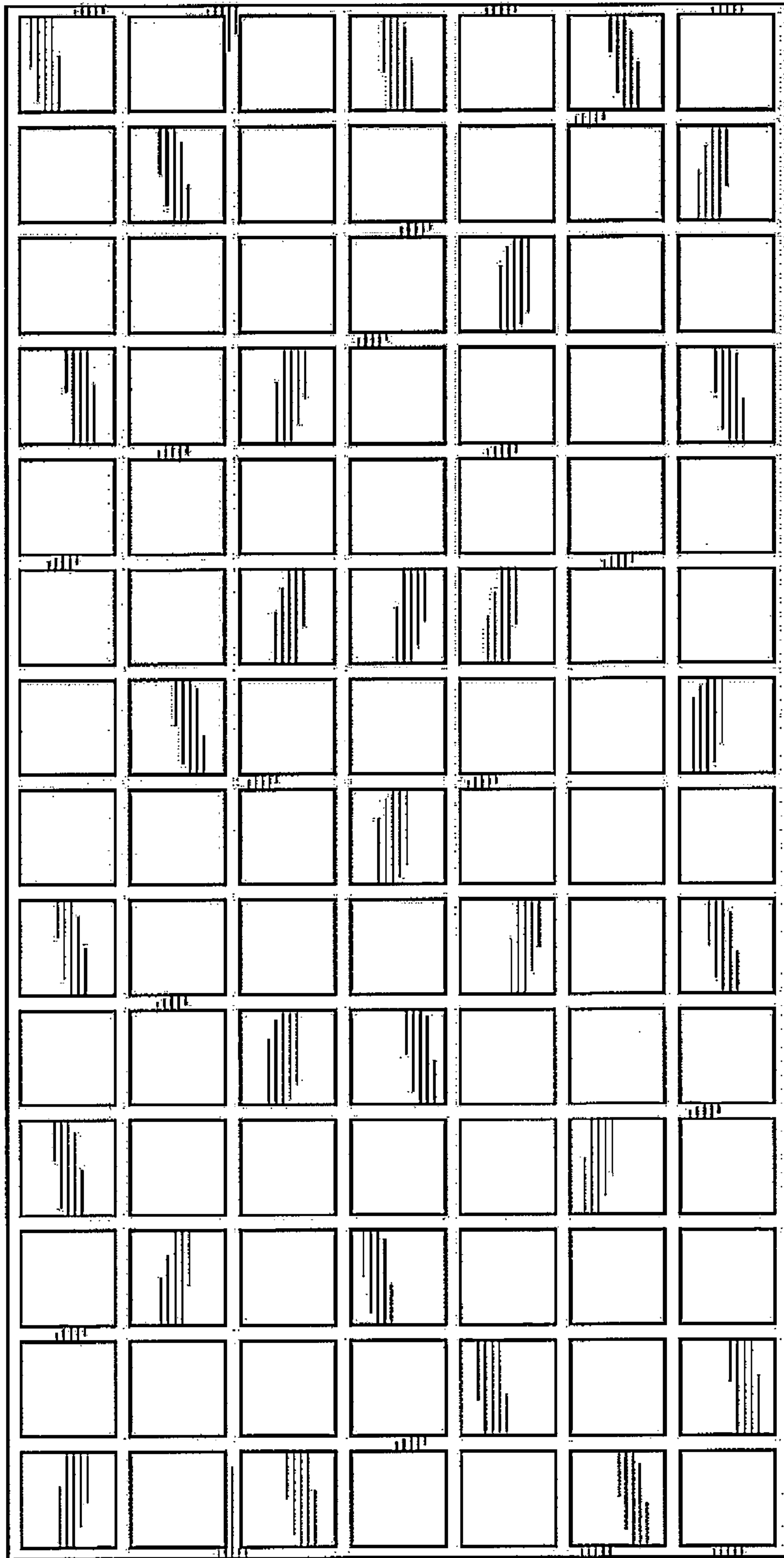


Fig. 2



Fig. 3



Fig. 4

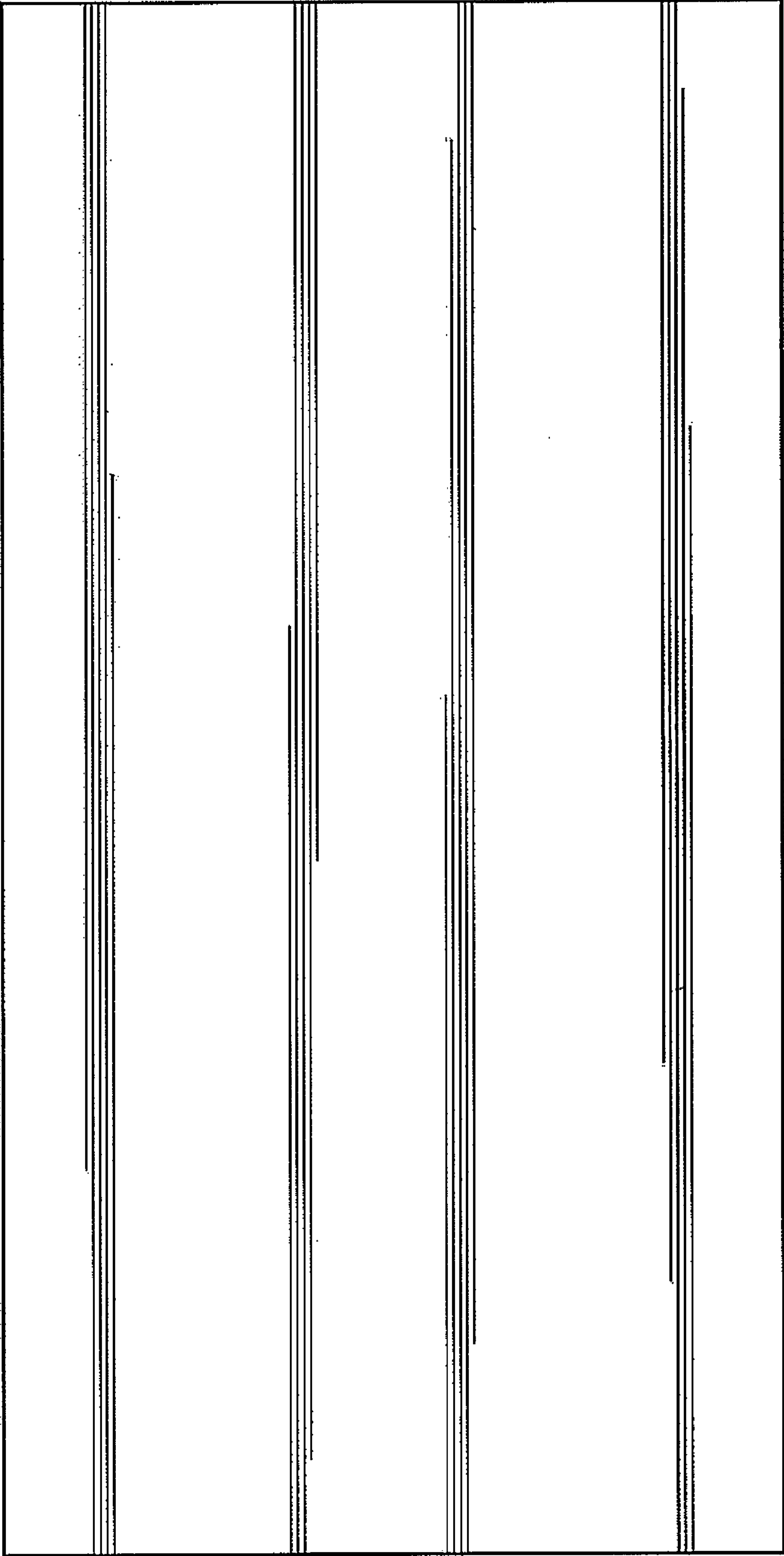


Fig. 5

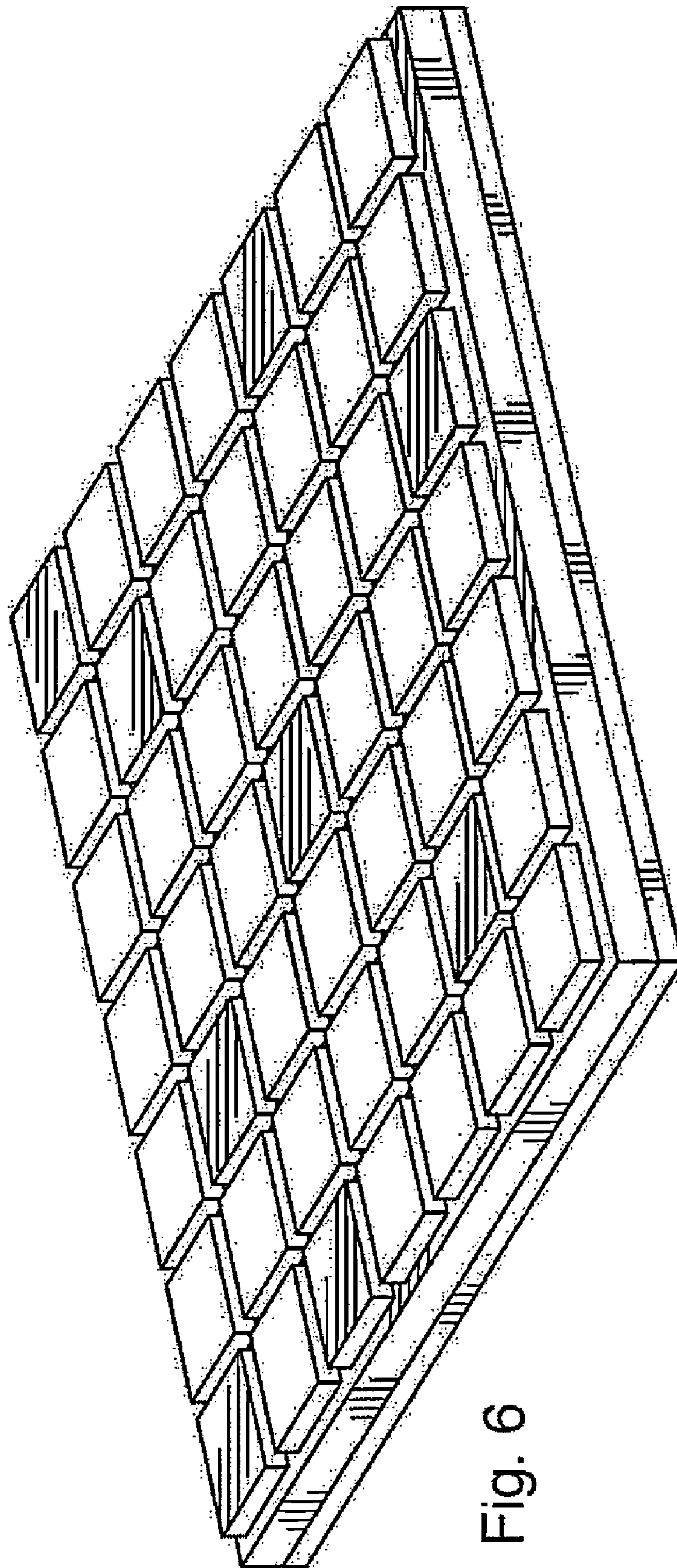


Fig. 6

Fig. 7

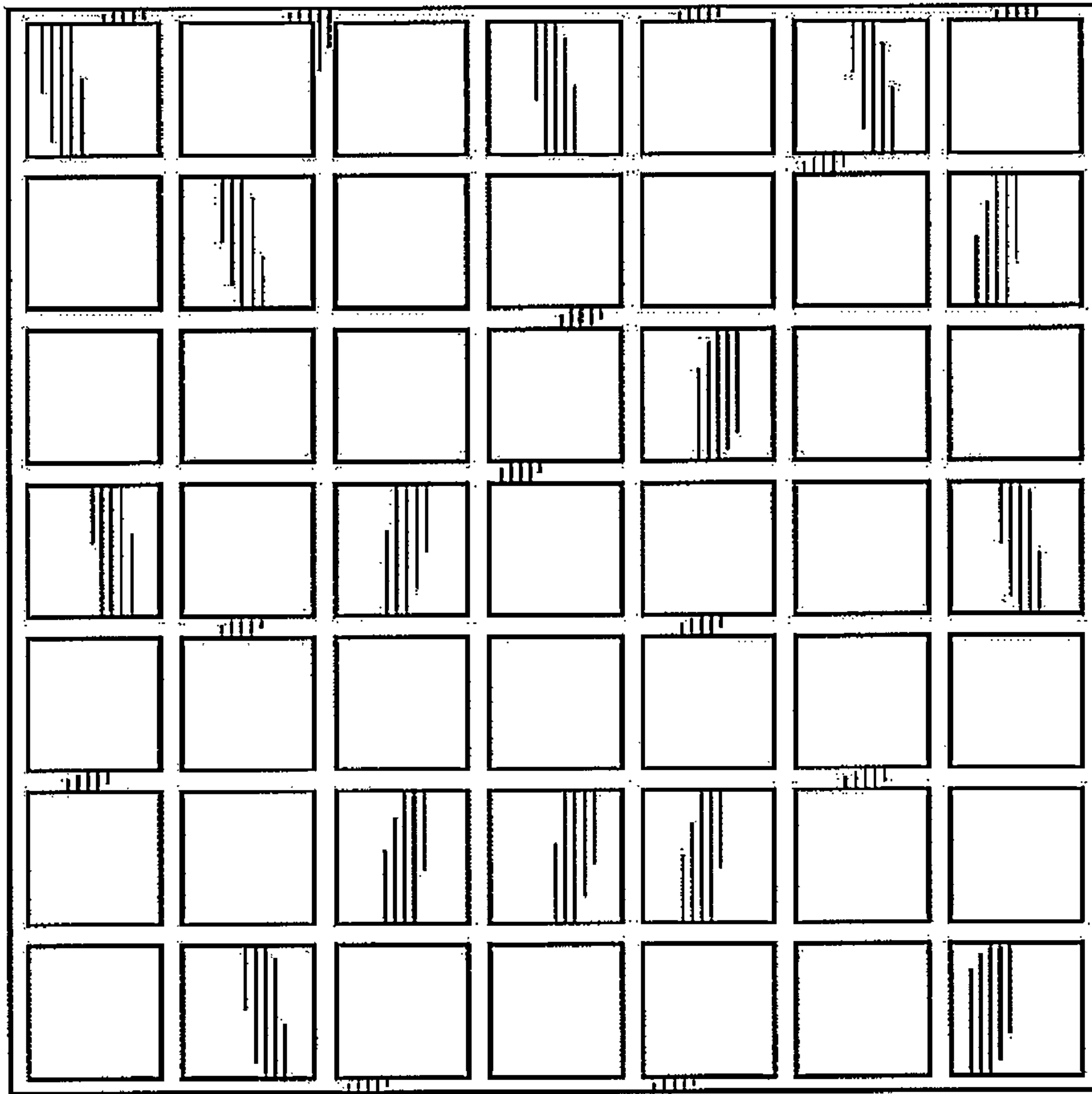


Fig. 8



Fig. 9

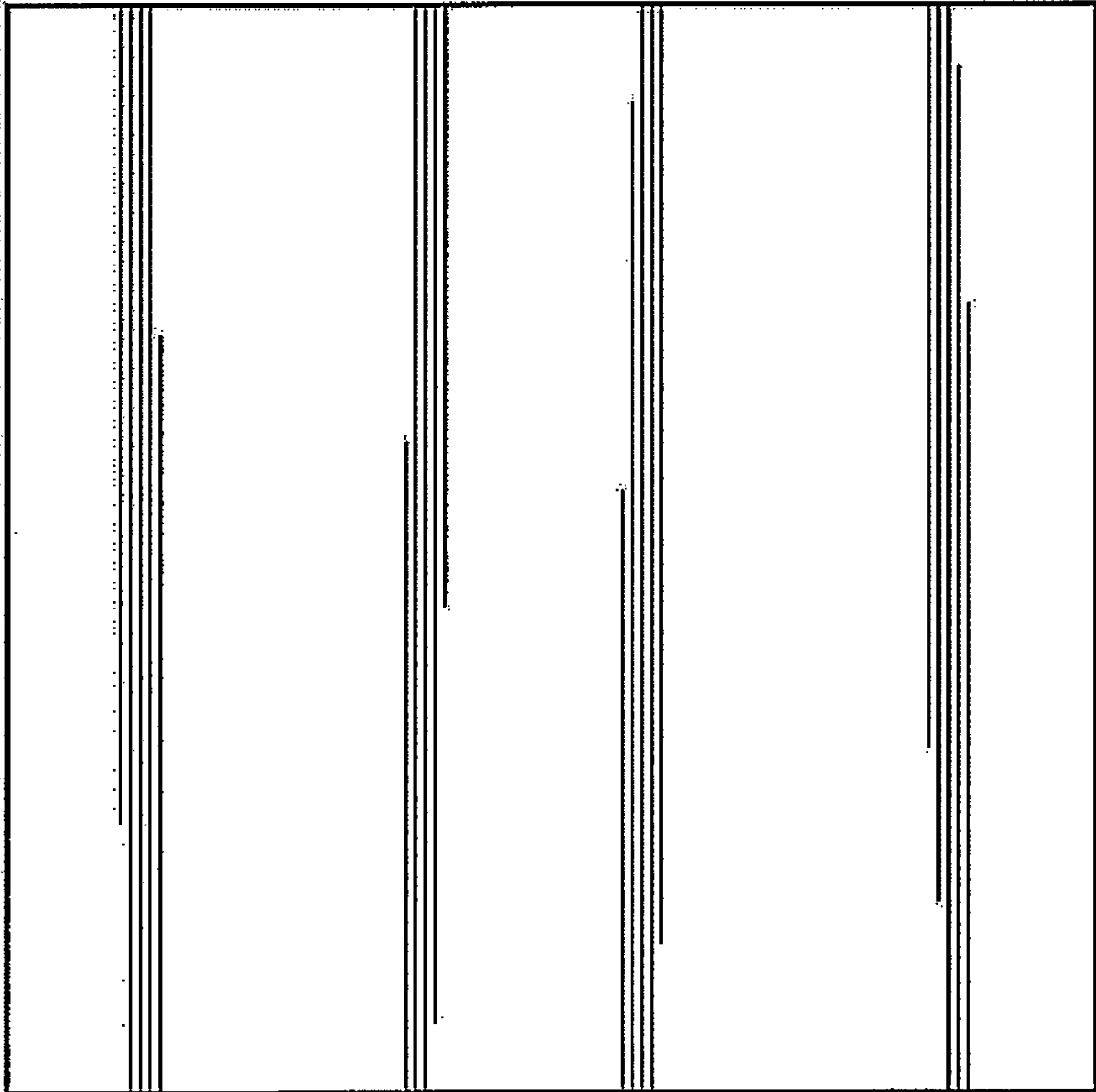


Fig. 10



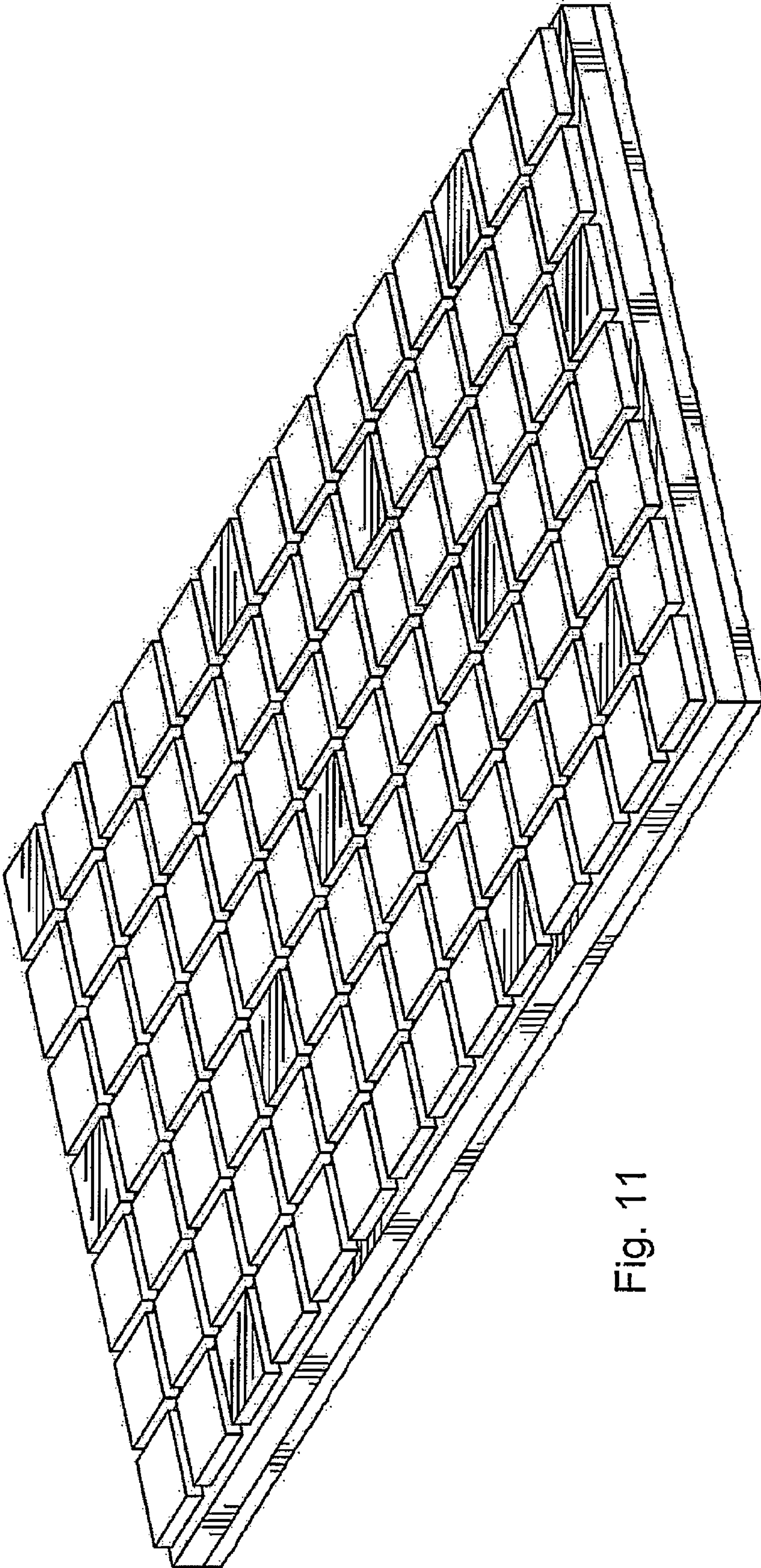


Fig. 11



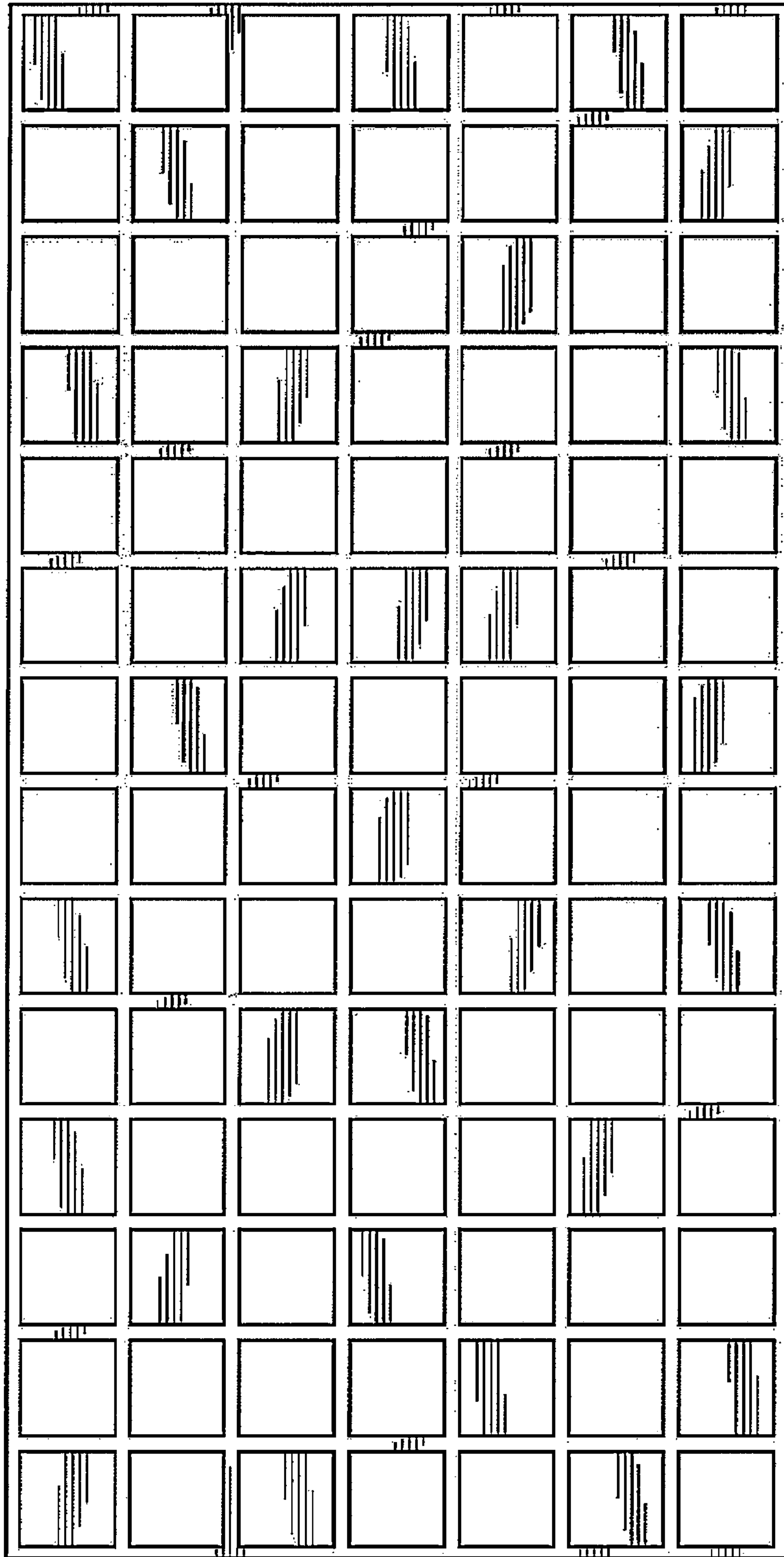


Fig. 12

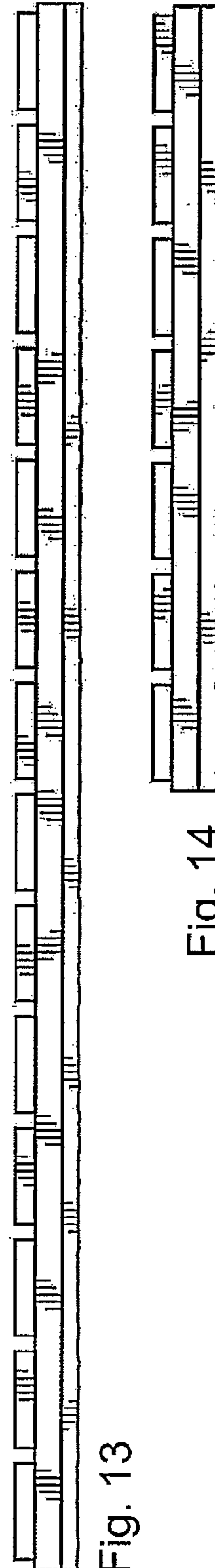


Fig. 13

Fig. 14



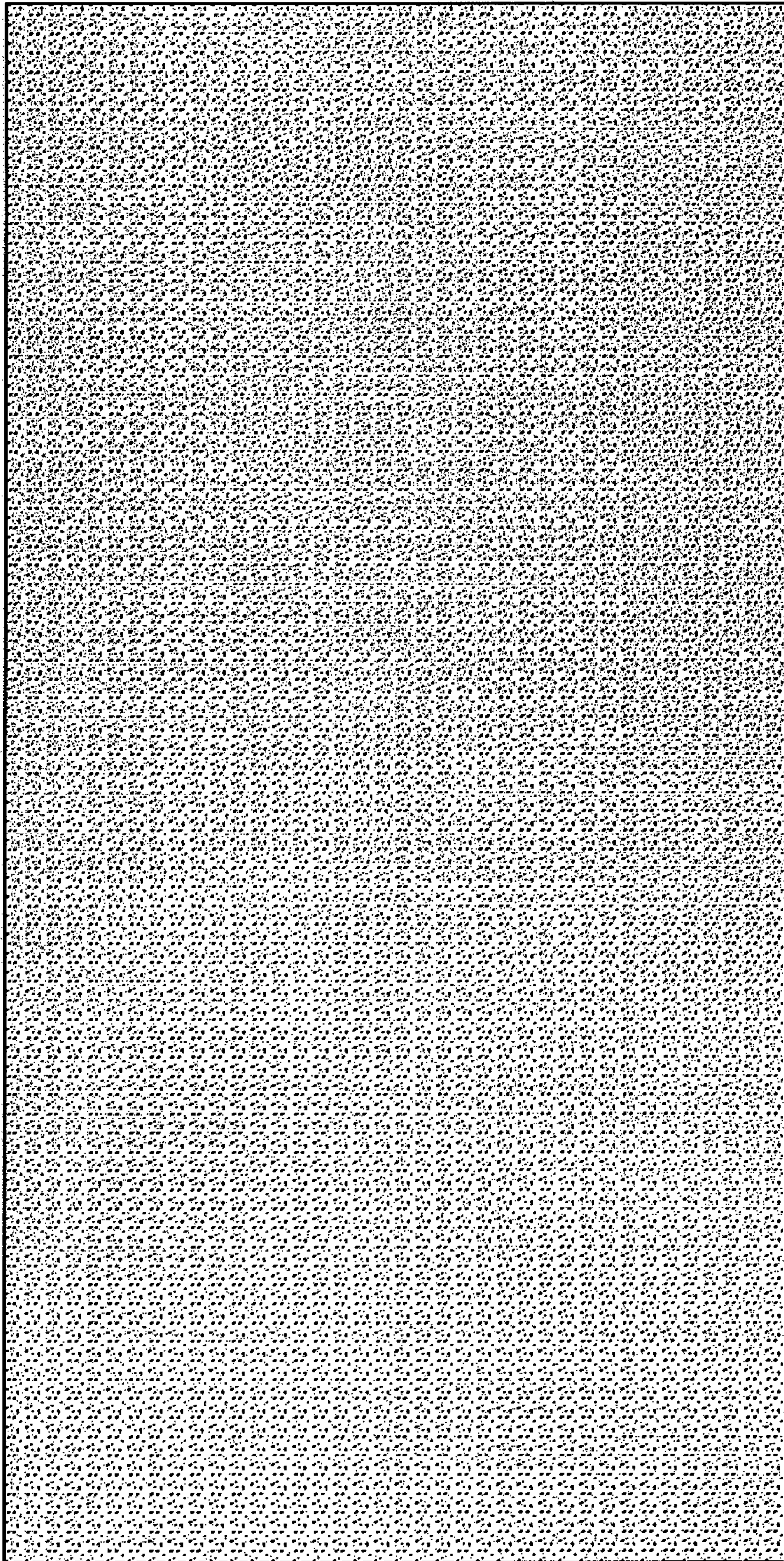


Fig. 15