



US00D679837S

(12) **United States Design Patent**  
**Shahidi Bonjar**

(10) **Patent No.:** **US D679,837 S**

(45) **Date of Patent:** **\*\* Apr. 9, 2013**

(54) **EXPANDABLE DENTAL MICROMOTOR BUR**

(75) Inventor: **Amir Hashem Shahidi Bonjar**, Tehran (IR)

(73) Assignees: **Amir Hashem Shahidi Bonjar**, Tehran (IR); **Shahid Beheshti University of Medical Sciences**, Tehran (IR)

(\*\*) Term: **14 Years**

(21) Appl. No.: **29/408,949**

(22) Filed: **Dec. 19, 2011**

(51) **LOC (9) Cl.** ..... **24-02**

(52) **U.S. Cl.** ..... **D25/152**

(58) **Field of Classification Search** ..... D24/146-147, D24/175, 176; D8/94, 107; 606/80; 433/102, 433/127, 141, 165, 75; 407/62, 63  
See application file for complete search history.

(56) **References Cited**

**U.S. PATENT DOCUMENTS**

4,284,406	A *	8/1981	Hughes	433/165
D269,040	S *	5/1983	Deemer	D24/147
4,897,037	A *	1/1990	Appleby	433/75
D351,654	S *	10/1994	Wauchope	D24/152
5,435,722	A *	7/1995	Mandell	433/165
6,902,400	B1 *	6/2005	Roetzer	433/165
6,960,083	B2 *	11/2005	Szymaitis	433/165
7,347,692	B2 *	3/2008	Roetzer et al.	433/165
D626,232	S *	10/2010	Bailey	D24/152
2007/0202461	A1 *	8/2007	Wang et al.	433/165
2011/0171595	A1 *	7/2011	Turner et al.	433/127

\* cited by examiner

*Primary Examiner* — Wan Laymon

(57) **CLAIM**

The ornamental design for an expandable dental micromotor bur, substantially as shown and described.

**DESCRIPTION**

FIG. 1 is a top, rear perspective view of the complete expandable dental micromotor bur.

FIG. 2 is a reduced side view of the complete expandable dental micromotor bur.

FIG. 3 is a reduced bottom view of the complete expandable dental micromotor bur.

FIG. 4 is a reduced top view of the complete expandable dental micromotor bur.

FIG. 5 is a reduced cross-section of the complete expandable dental micromotor bur along the plane of lines 5-5 of FIG. 2;

FIG. 6 is a reduced cross-section of the complete expandable dental micromotor bur along the plane of lines 6-6 of FIG. 2;

FIG. 7 is a top, front perspective view of the male member of the expandable dental micromotor bur.

FIG. 8 is a reduced side view of the male member of the expandable dental micromotor bur.

FIG. 9 is a reduced bottom view of the male member of the expandable dental micromotor bur.

FIG. 10 is a reduced top view of the male member of the expandable dental micromotor bur.

FIG. 11 is a reduced cross-section of the male member of the expandable dental micromotor bur along the plane of lines 11-11 of FIG. 8;

FIG. 12 is a reduced cross-section of the male member of the expandable dental micromotor bur along the plane of lines 12-12 of FIG. 8;

FIG. 13 is a top, rear perspective view of the female member of the expandable dental micromotor bur.

FIG. 14 is a reduced side view of the female member of the expandable dental micromotor bur.

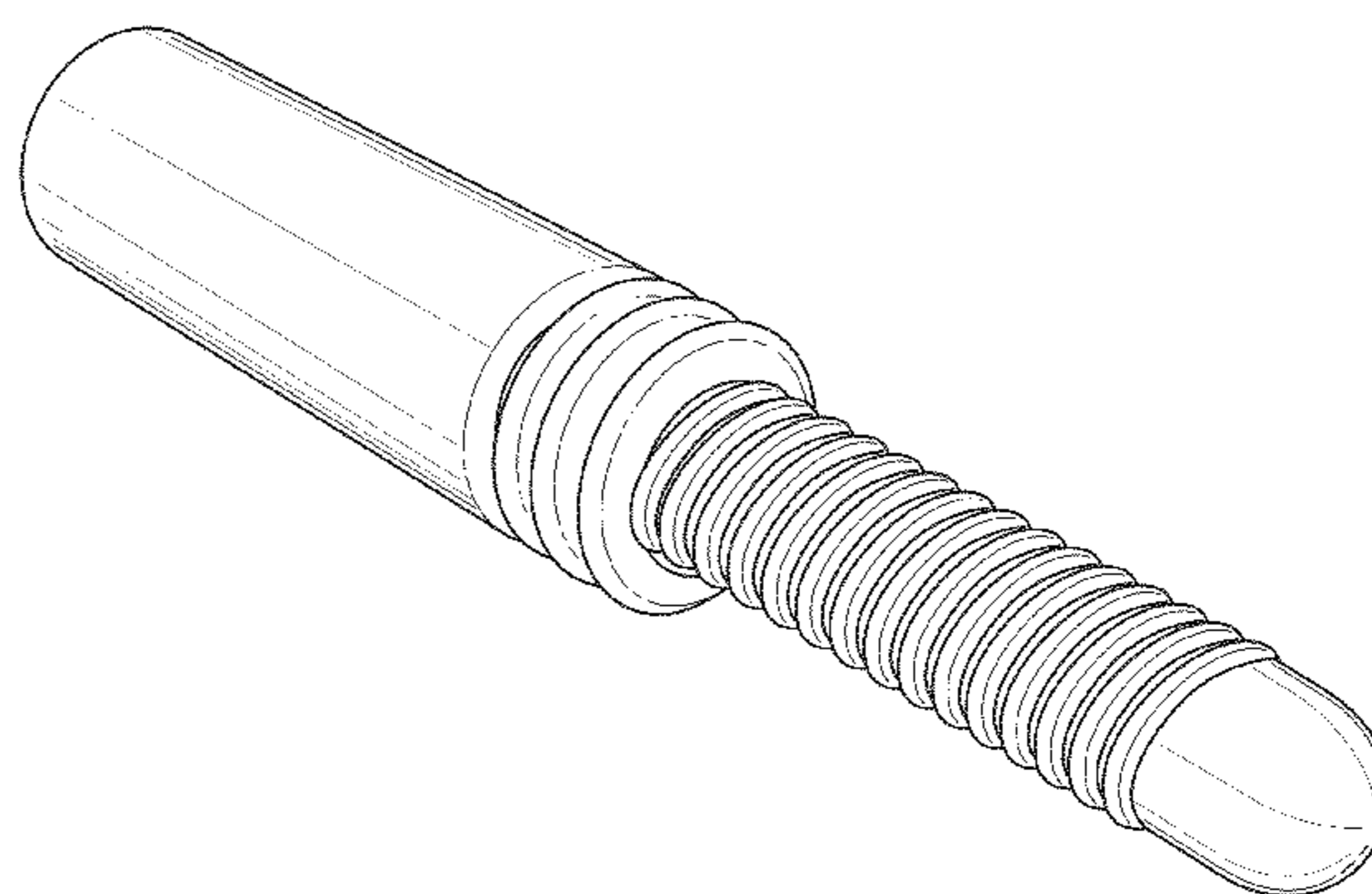
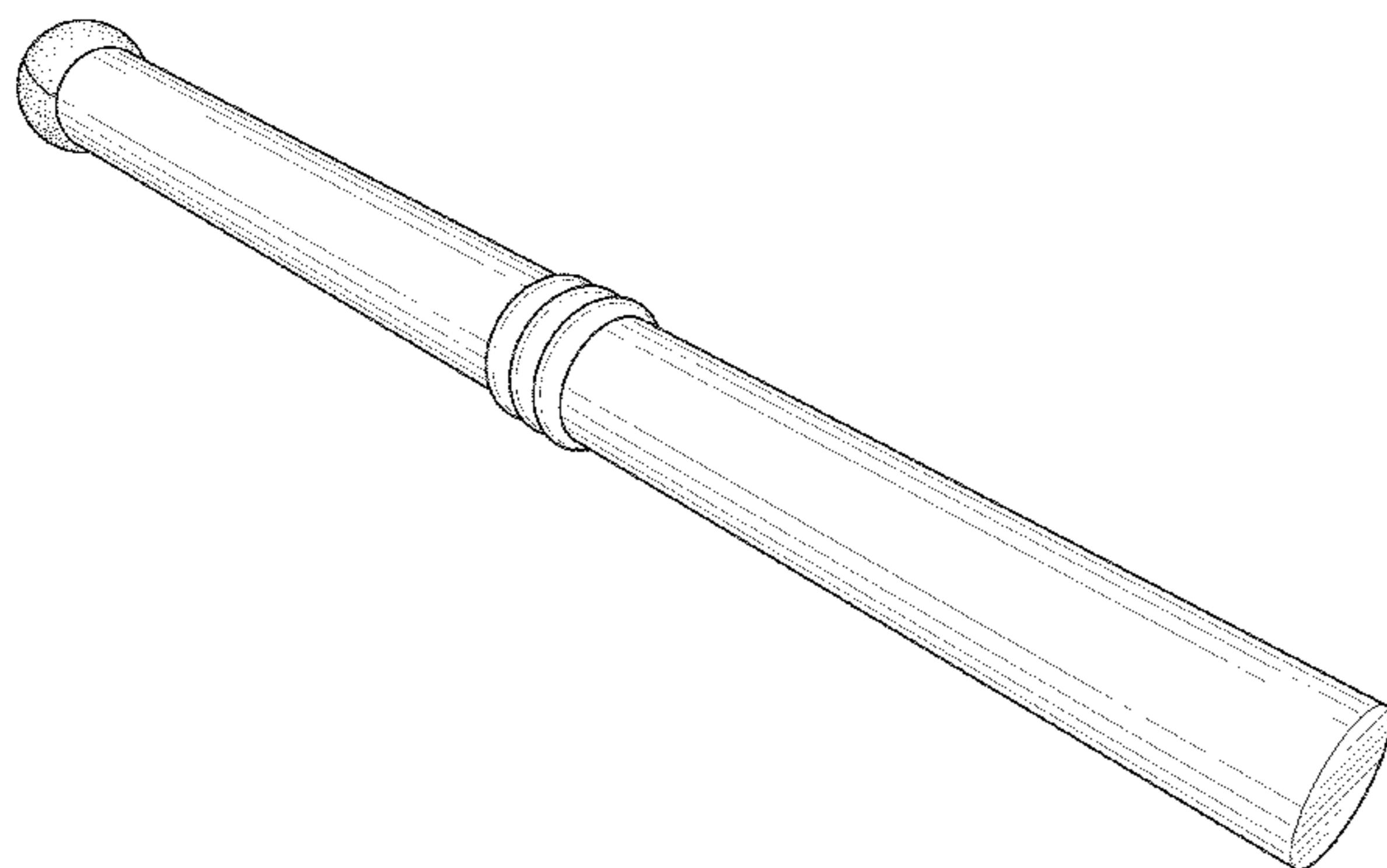
FIG. 15 is a reduced bottom view of the female member of the expandable dental micromotor bur.

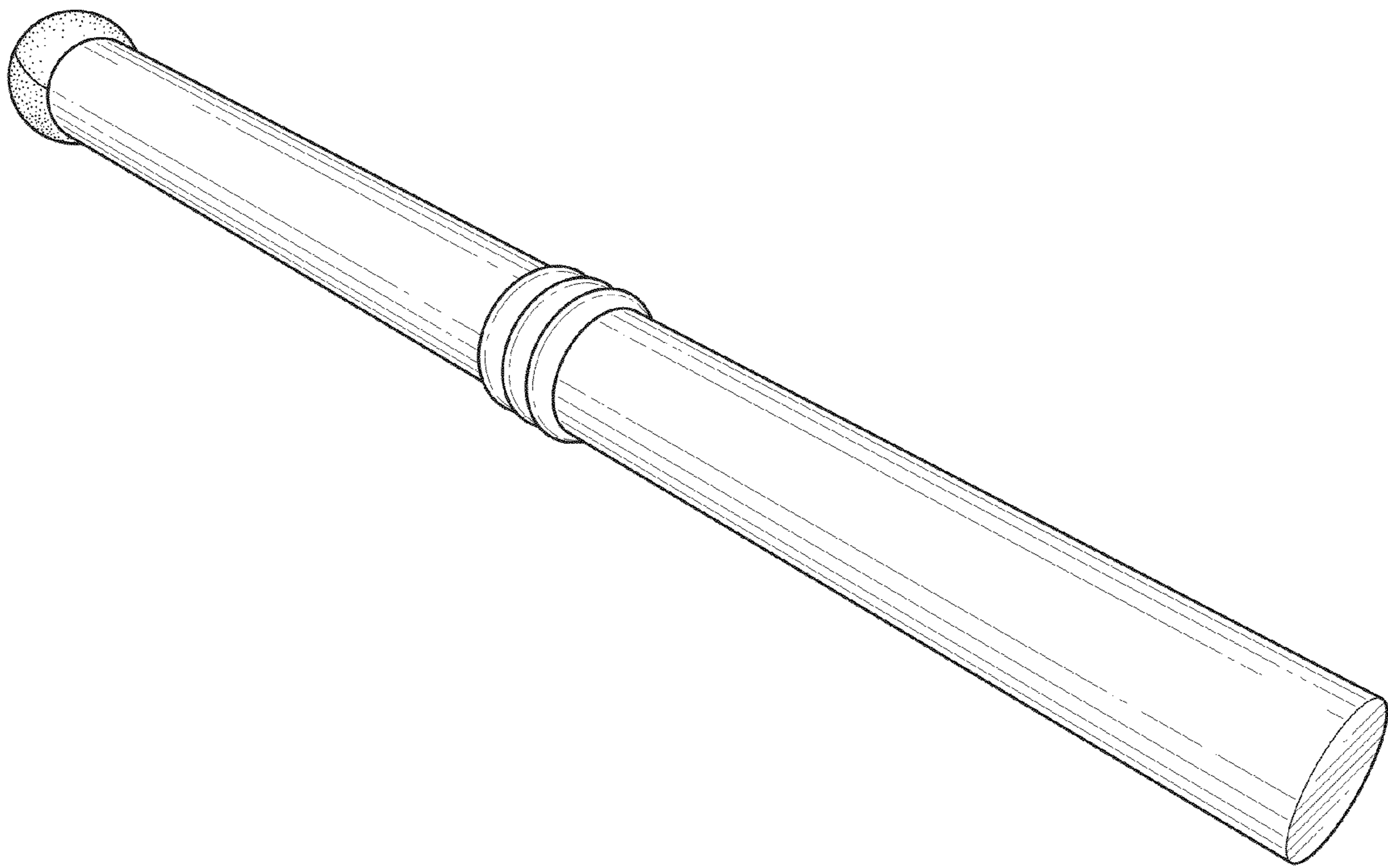
FIG. 16 is a reduced top view of the female member of the expandable dental micromotor bur.

FIG. 17 is a reduced cross-section of the female member of the expandable dental micromotor bur along the plane of lines 17-17 of FIG. 14; and,

FIG. 18 is a reduced cross-section of the male member of the expandable dental micromotor bur along the plane of lines 18-18 of FIG. 14.

**1 Claim, 6 Drawing Sheets**





**FIG. 1**

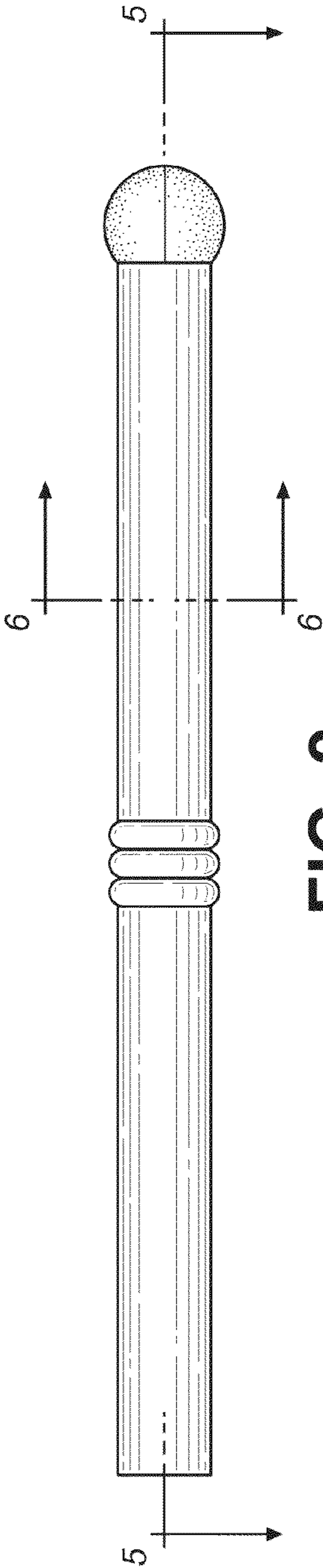


FIG. 2

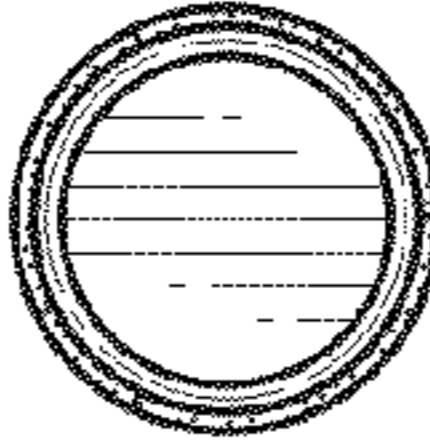


FIG. 3

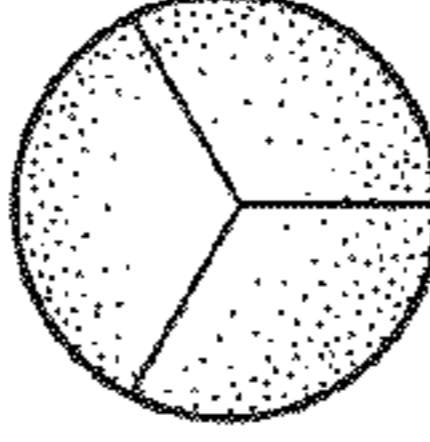


FIG. 4

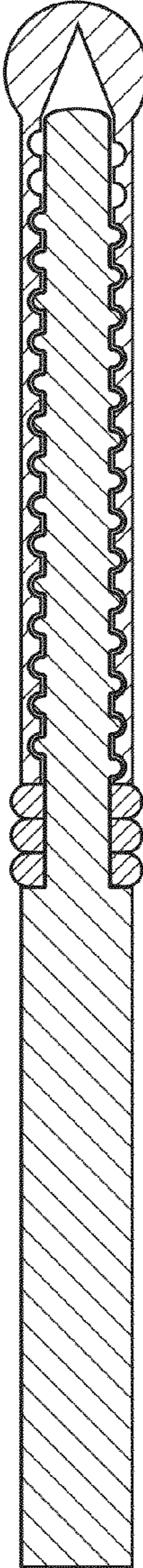


FIG. 5

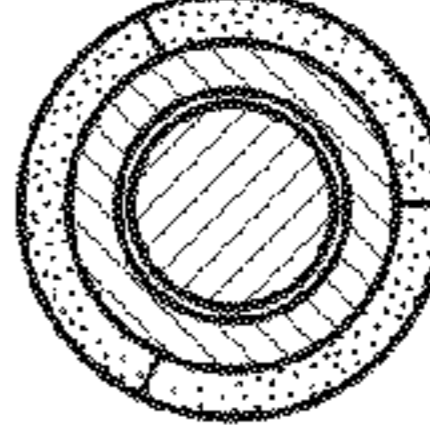
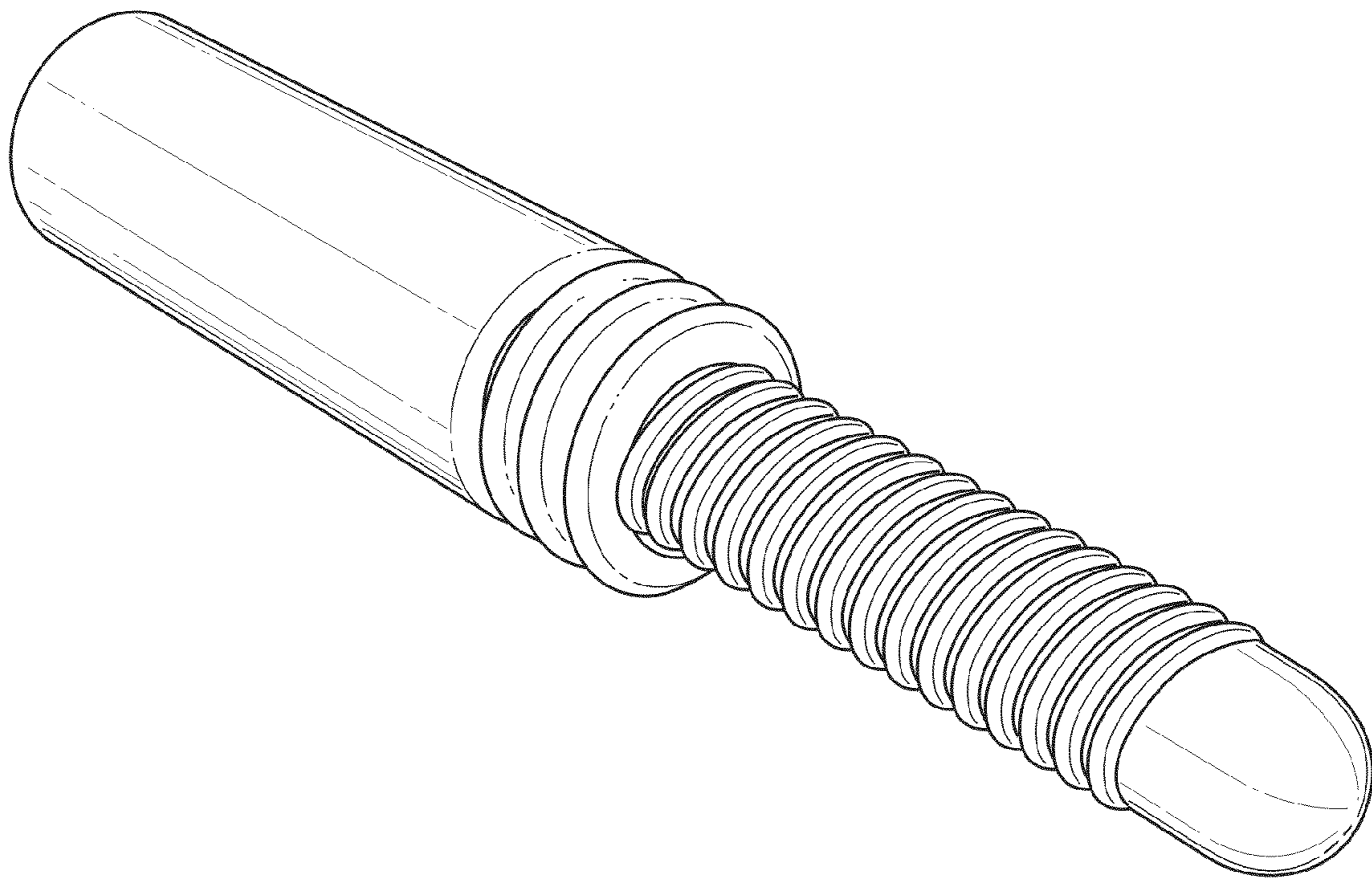


FIG. 6



**FIG. 7**

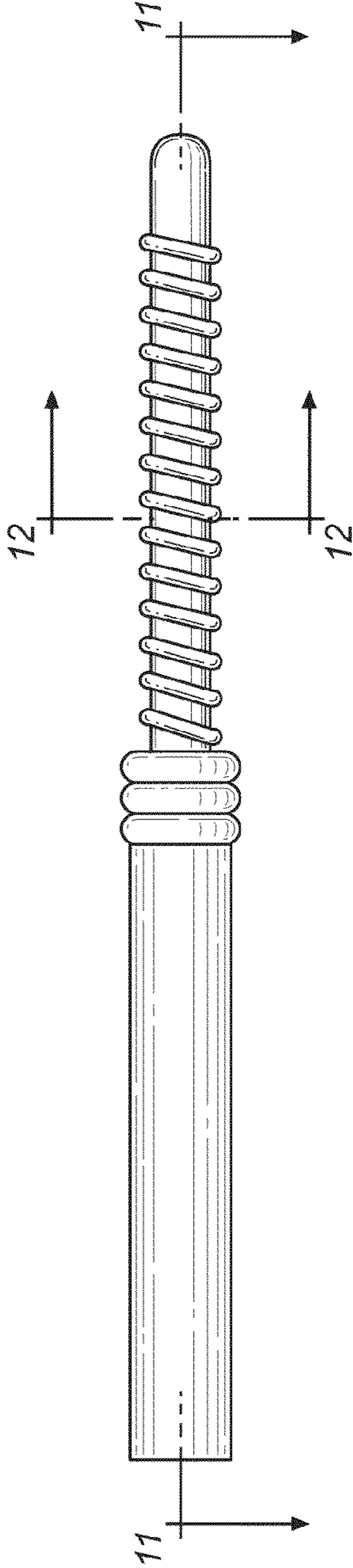


FIG. 8



FIG. 9

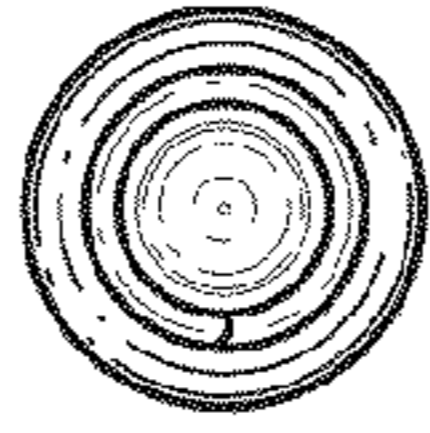


FIG. 10

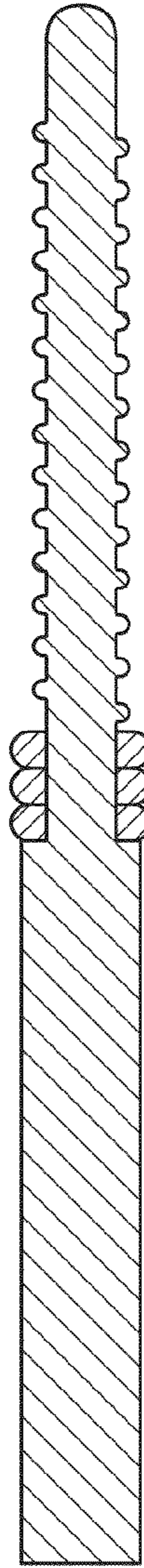


FIG. 11

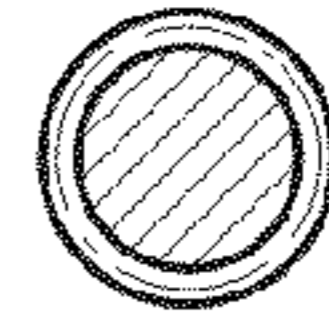
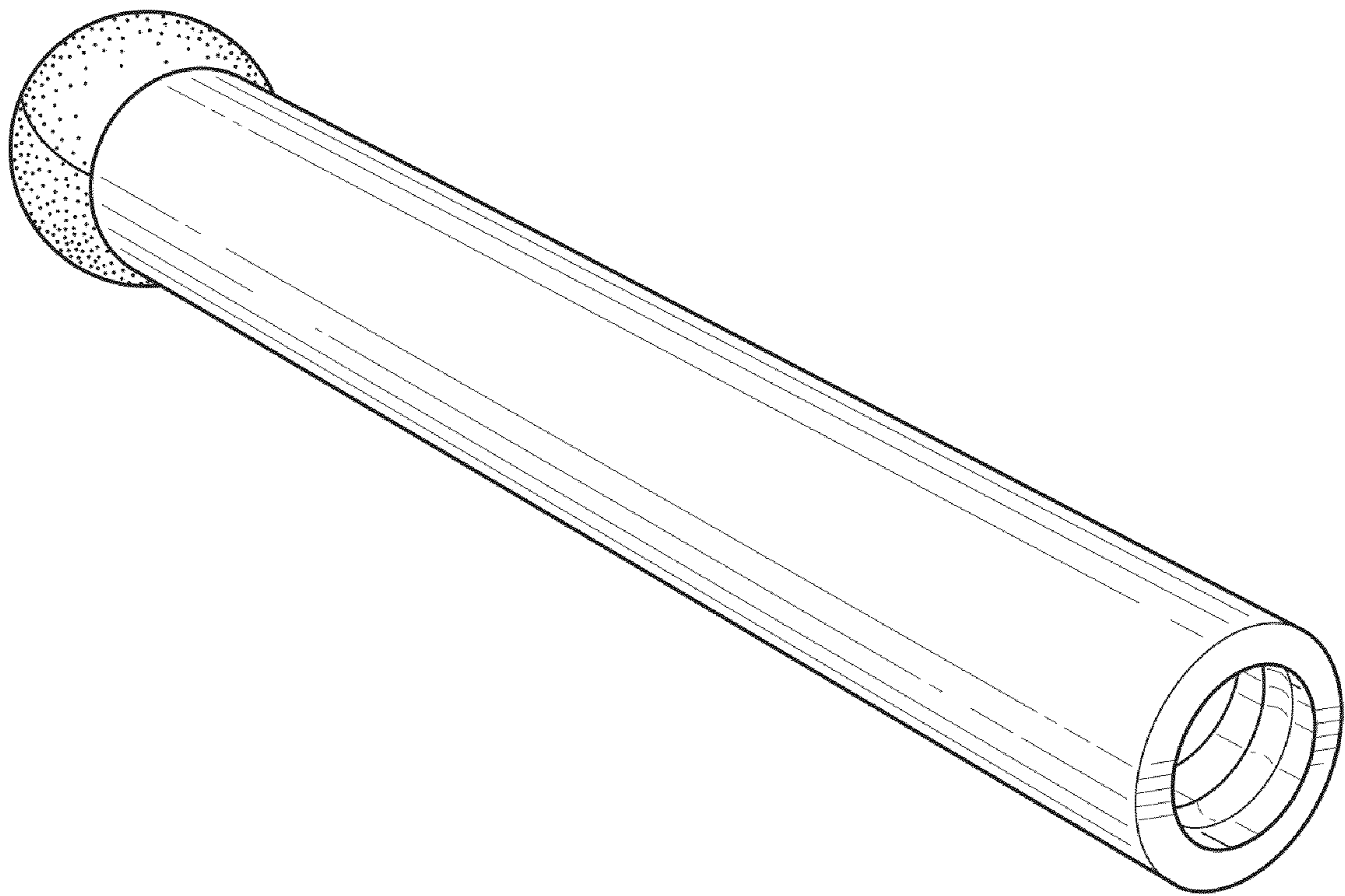


FIG. 12



**FIG. 13**

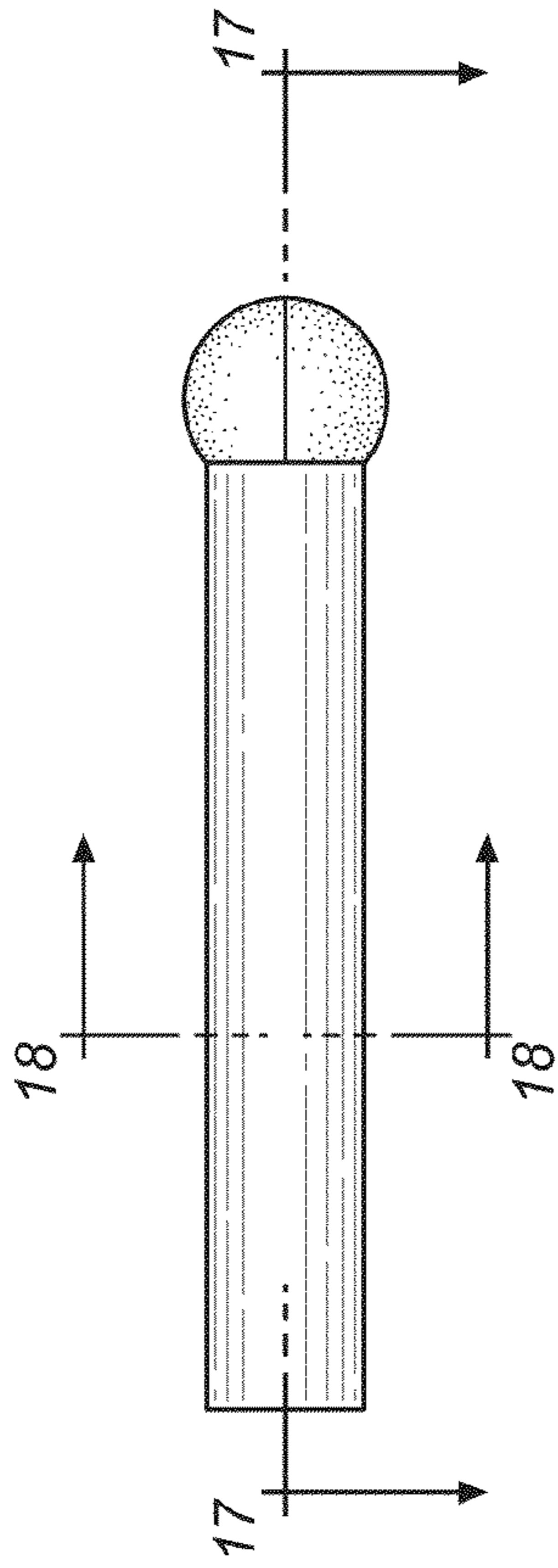


FIG. 14

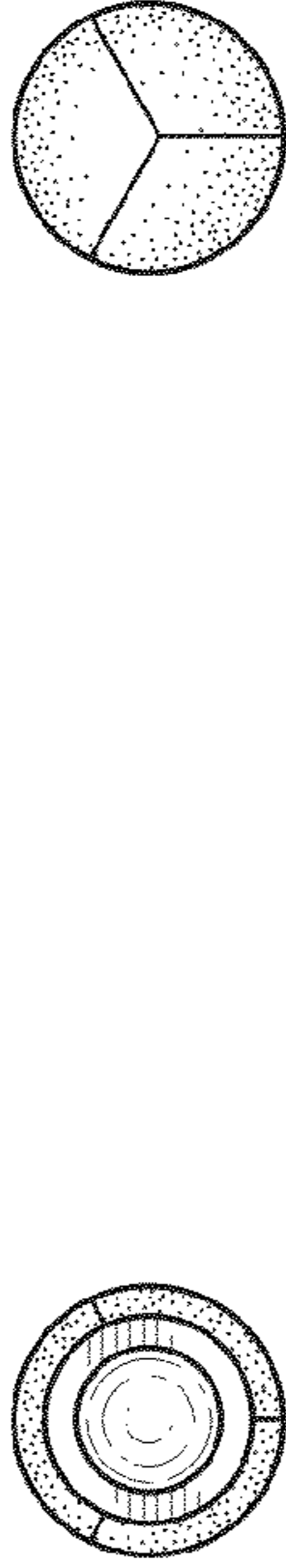


FIG. 15

FIG. 16

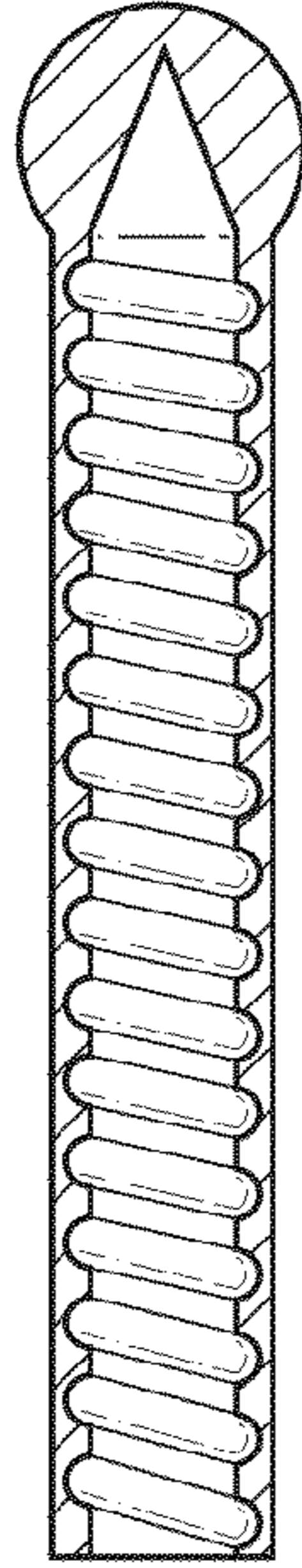


FIG. 17

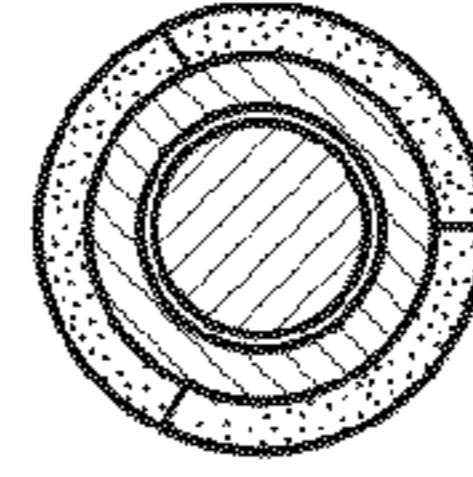


FIG. 18