



US00D679835S

(12) **United States Design Patent**  
**Silverman**

(10) **Patent No.:** **US D679,835 S**

(45) **Date of Patent:** **\*\* Apr. 9, 2013**

(54) **POST FOR A BALL PIT ENCLOSURE**

6,588,733 B1 \* 7/2003 Tremeer et al. .... 256/19  
6,666,625 B2 \* 12/2003 Thornton ..... 405/284  
D589,632 S \* 3/2009 Ryan ..... D25/126

(75) Inventor: **Clifford J. Silverman**, Green Oak, IL  
(US)

\* cited by examiner

(73) Assignee: **Karajen, Inc.**, Waukegan, IL (US)

*Primary Examiner* — Doris Clark

(\*\*) Term: **14 Years**

(74) *Attorney, Agent, or Firm* — Justin Lampel

(21) Appl. No.: **29/395,251**

(57) **CLAIM**

The ornamental design for a post for a ball pit enclosure, as shown and described.

(22) Filed: **Dec. 27, 2011**

**DESCRIPTION**

(51) **LOC (9) Cl.** ..... **25-01**

(52) **U.S. Cl.**

USPC ..... **D25/126**

(58) **Field of Classification Search** ..... D25/126,  
D25/38.1; 256/22, 25, 19, 65.02; D21/756,  
D21/355, 356, 363

See application file for complete search history.

FIG. 1 is a front perspective view of a post for a ball pit enclosure, illustrated in its environment.

FIG. 2 is a front elevation view of a post for a ball pit enclosure.

FIG. 3 is a side elevation view thereof.

FIG. 4 is a rear elevation view thereof.

FIG. 5 is an opposite side elevation view thereof.

FIG. 6 is a top plan view thereof; and,

FIG. 7 is a bottom plan view thereof.

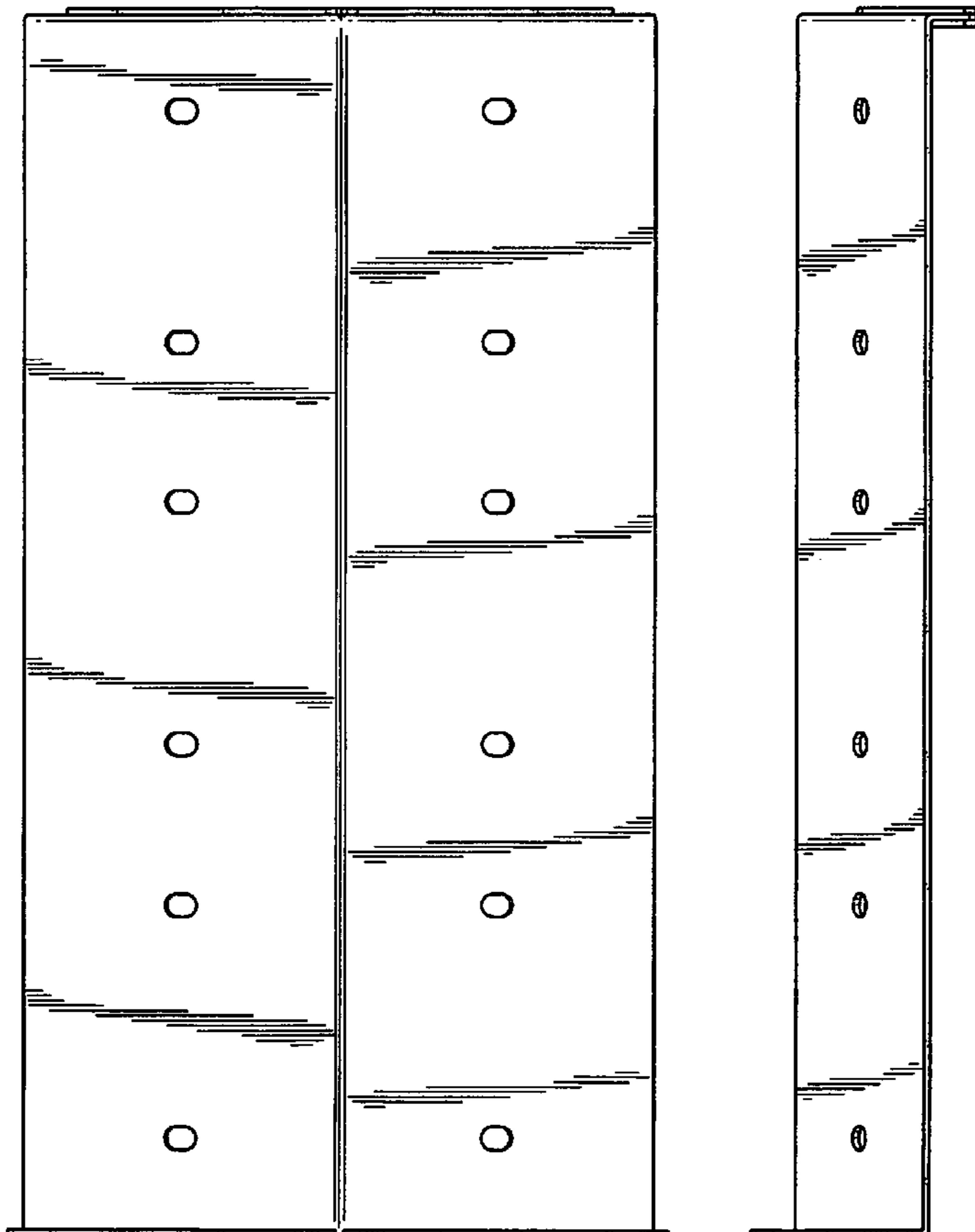
The broken line showing is for illustrative purposes only and forms no part of the claimed design.

(56) **References Cited**

U.S. PATENT DOCUMENTS

D254,202 S \* 2/1980 Kasas et al. .... D21/355  
6,138,993 A \* 10/2000 Mitchell et al. .... 256/25  
D455,219 S \* 4/2002 Ohanesian ..... D25/124

**1 Claim, 4 Drawing Sheets**



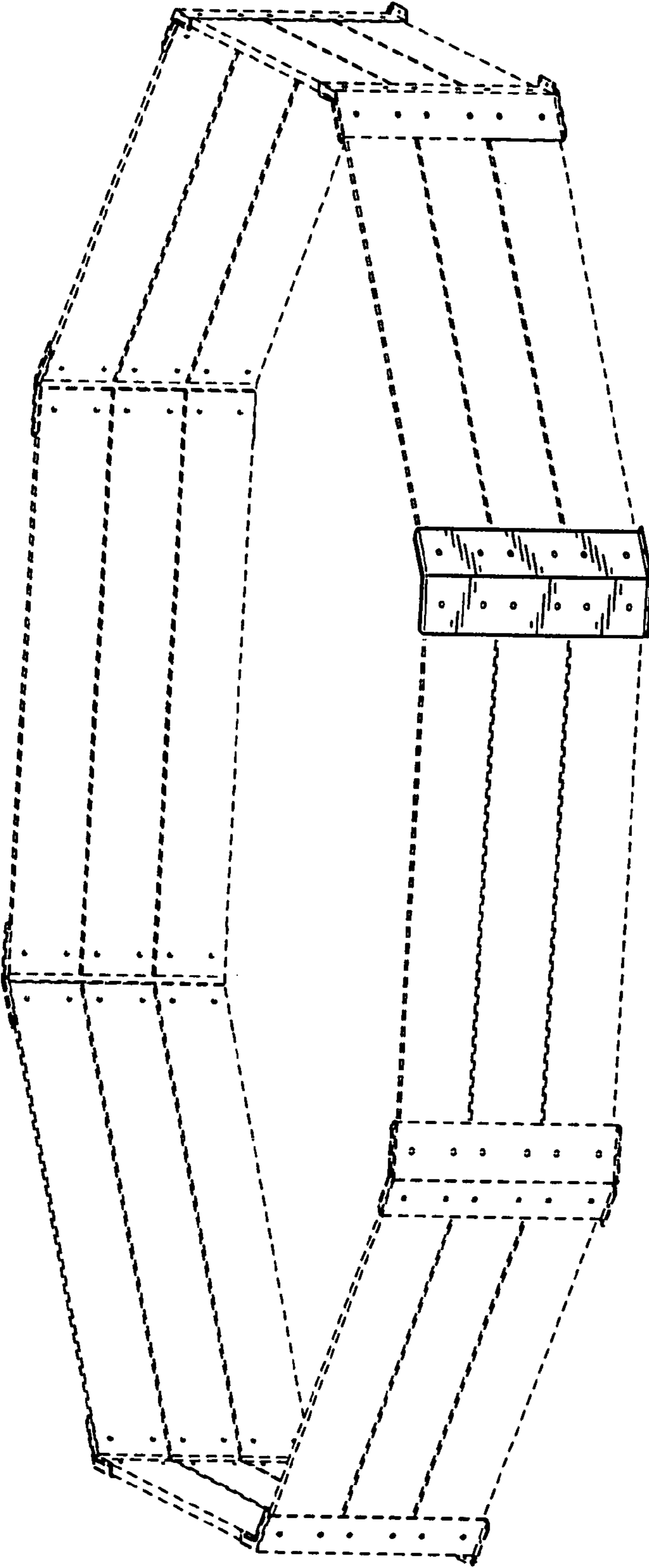


FIG. 1

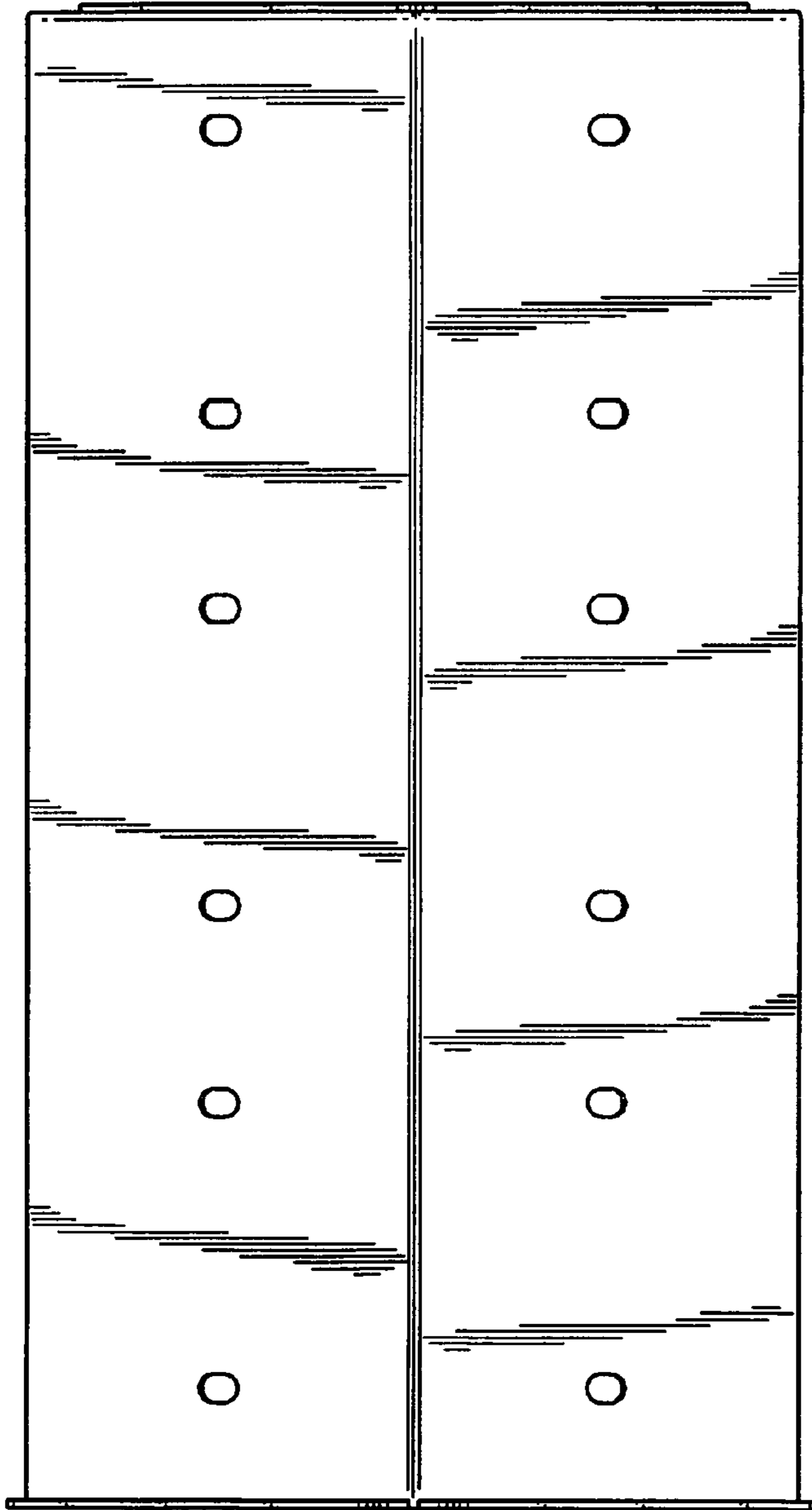


FIG. 2

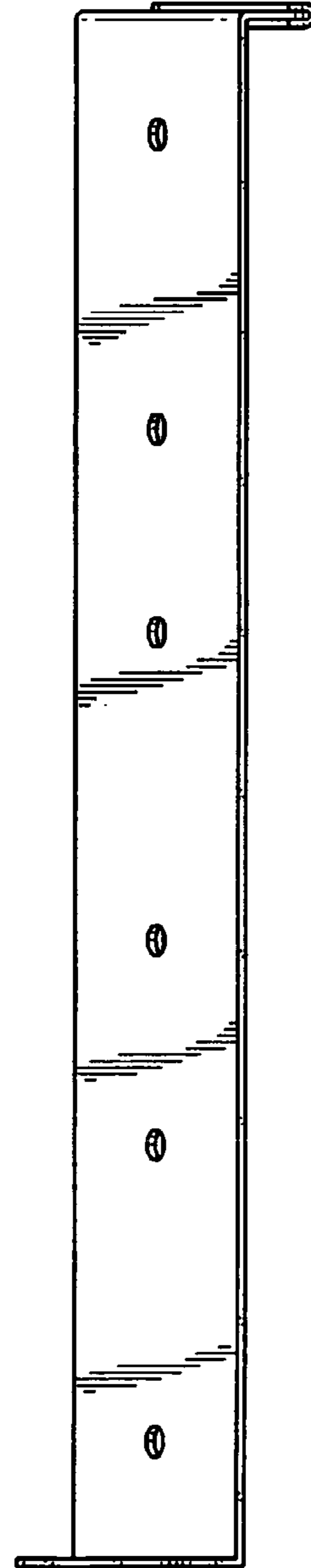


FIG. 3

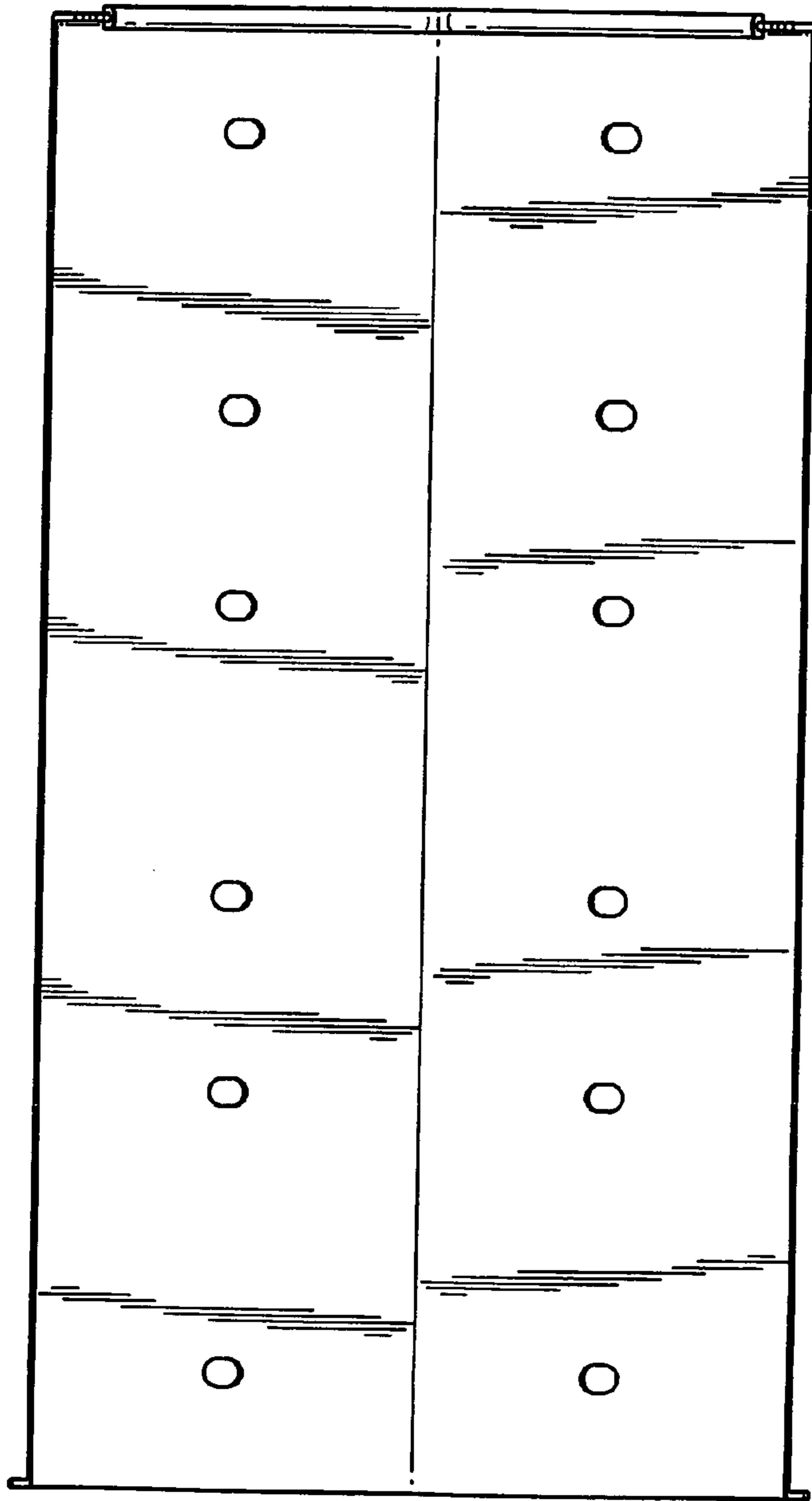


FIG. 4

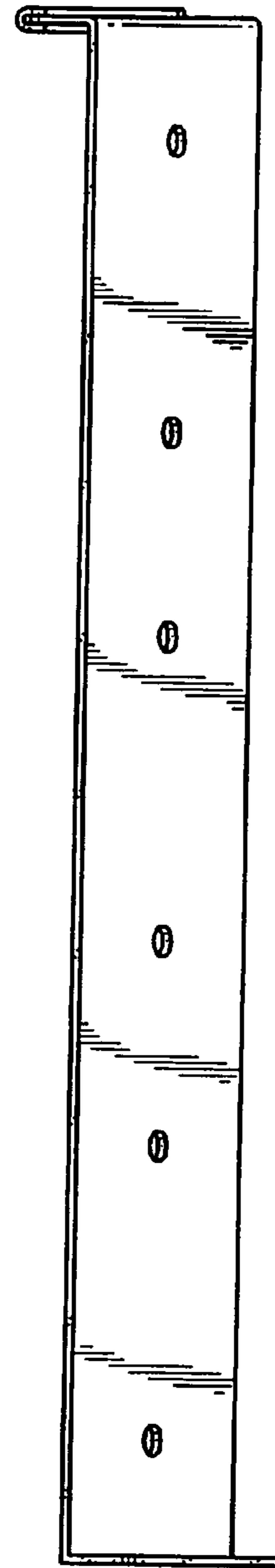


FIG. 5

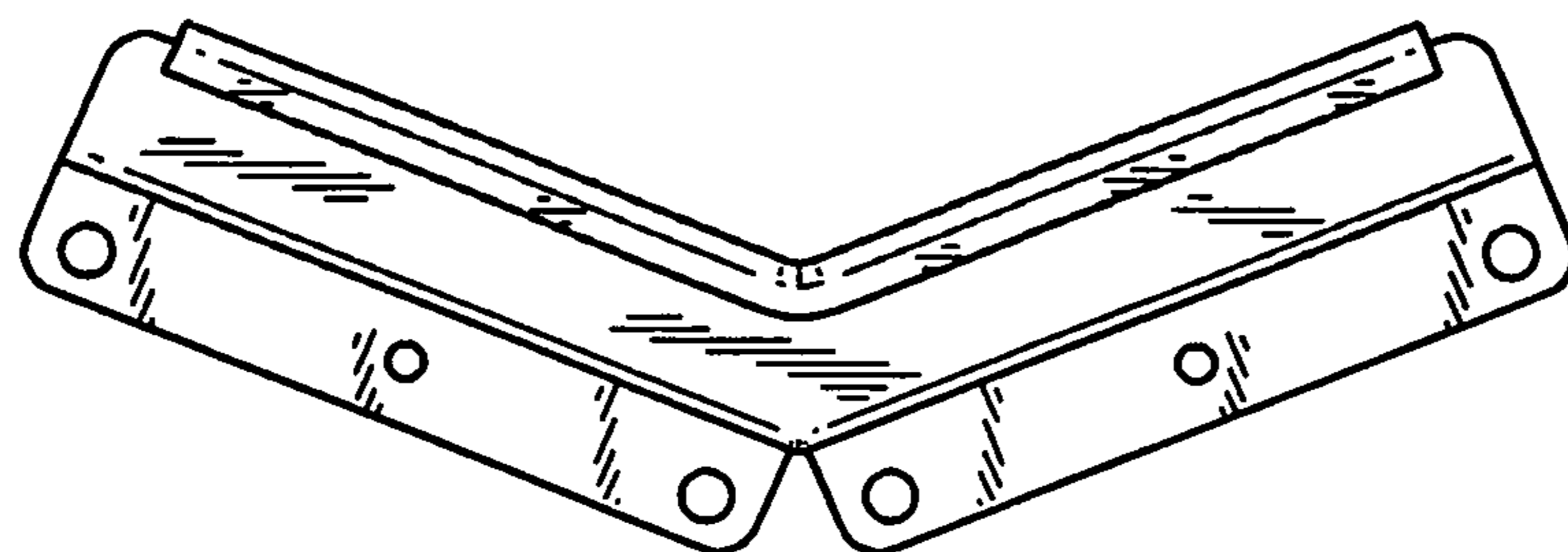


FIG. 6

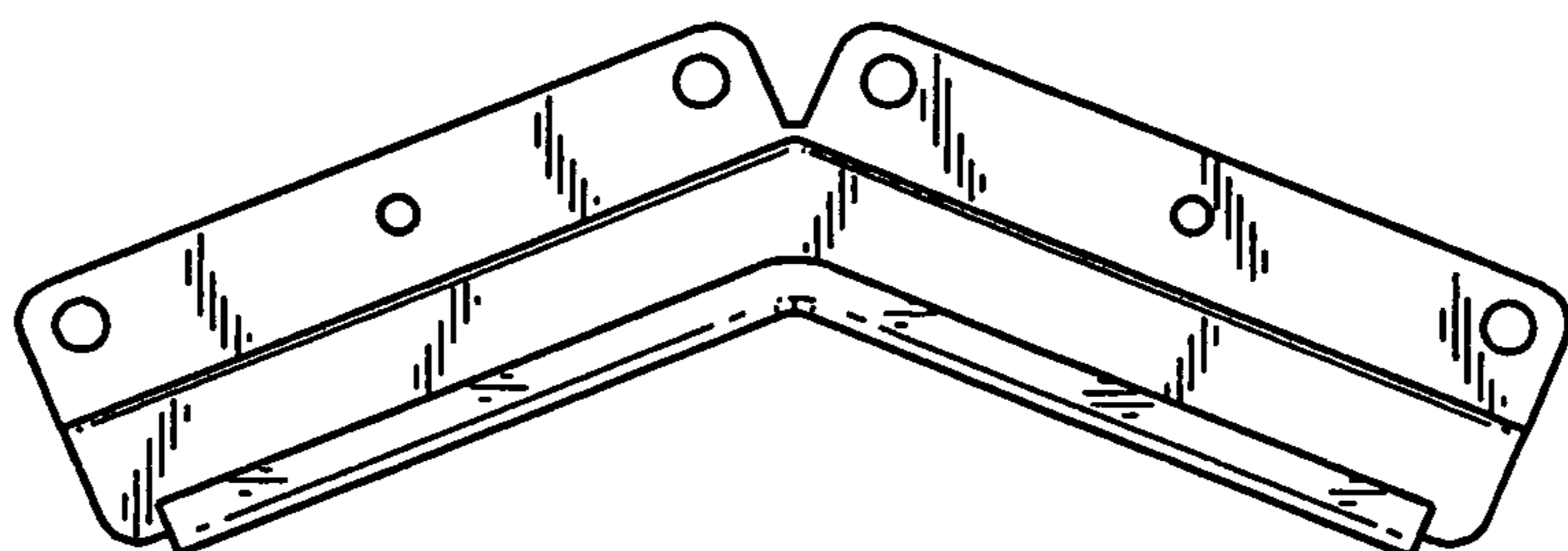


FIG. 7