



US00D679831S

(12) **United States Design Patent**
Greenizen et al.

(10) **Patent No.:** **US D679,831 S**

(45) **Date of Patent:** **** Apr. 9, 2013**

(54) **MAGNETIC RACK**

(75) Inventors: **Kurt Greenizen**, Bradford, MA (US);
Chris Scott, Westford, MA (US); **Gary Labombard**, Concord, NH (US)

(73) Assignee: **EMD Millipore Corporation**, Billerica, MA (US)

(**) Term: **14 Years**

(21) Appl. No.: **29/353,434**

(22) Filed: **Jan. 8, 2010**

(51) **LOC (9) Cl.** **24-02**

(52) **U.S. Cl.**
USPC **D24/227**

(58) **Field of Classification Search** D24/185,
D24/216-232, 127-128; D6/406.1-406.3,
D6/406.6; D3/203.1, 304; D19/92; D32/55;
206/363-370; 211/85.13, 126.14, 74, 41.1;
260/438, 557, 560, 564; 422/58, 99, 102,
422/104, 297, 300, 560-564, 298; 433/77,
433/79

See application file for complete search history.

(56) **References Cited**

U.S. PATENT DOCUMENTS

| | | | |
|------------|-----------|-------------------|---------|
| D250,348 S | 11/1978 | Frangiosa et al. | |
| D282,206 S | 1/1986 | Roy et al. | |
| D288,483 S | 2/1987 | Mora | |
| D332,145 S | * 12/1992 | Wada et al. | D24/227 |
| D333,522 S | * 2/1993 | Gianino | D24/229 |
| D333,523 S | 2/1993 | Gianino | |
| D339,869 S | * 9/1993 | Schea et al. | D24/230 |
| D355,260 S | * 2/1995 | Tomasso | D24/224 |
| D365,153 S | * 12/1995 | Robertson, Jr. | D24/224 |
| D367,714 S | 3/1996 | Pennicook | |
| D404,831 S | * 1/1999 | Yamazaki et al. | D24/224 |
| D413,677 S | 9/1999 | Dumitrescu et al. | |
| D420,747 S | 2/2000 | Dumitrescu et al. | |

| | | | |
|------------|----------|----------------|---------|
| D446,311 S | 8/2001 | Wescott, III | |
| D452,740 S | * 1/2002 | Brennan et al. | D24/216 |
| D476,088 S | 6/2003 | Wescott, III | |
| D501,562 S | 2/2005 | Smith | |

(Continued)

FOREIGN PATENT DOCUMENTS

WO 2010/130762 A2 11/2010

OTHER PUBLICATIONS

Millipore—Immunodetection sample preparation, Protein preparation and Immunodetection; “PureProteome Nickel Magnetic Beads”; <http://www.millipore.com/immunodetection/id3/magnetic> 5-Pages; printed Mar. 4, 2010.

(Continued)

Primary Examiner — T. Chase Nelson

Assistant Examiner — Mark Cavanna

(74) *Attorney, Agent, or Firm* — Nields, Lemack & Frame, LLC

(57) **CLAIM**

The ornamental design for a magnetic rack, as shown.

DESCRIPTION

FIG. 1 is a front perspective view of the rack;

FIG. 2 is a top view of the rack;

FIG. 3 is a bottom view of the rack;

FIG. 4 is a rear view of the rack;

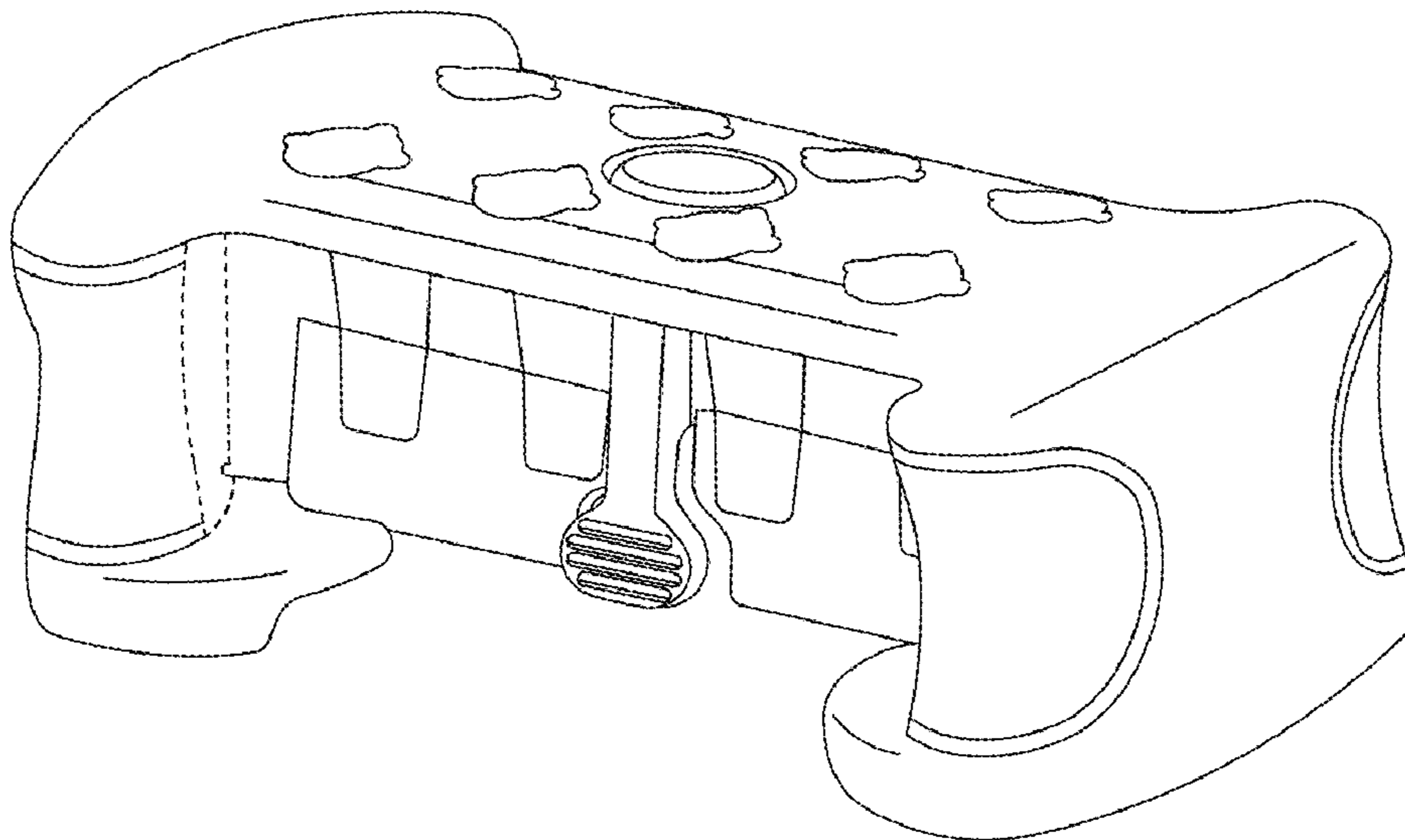
FIG. 5 is a first side view of the rack; and,

FIG. 6 is a second side view of the rack.

The broken lines are included for the purpose of illustrating unclaimed portions of the magnetic rack and form no part of the claimed design.

The magnetic rack is a rack for holding test tubes and the like. The rack is equipped with a magnet that attracts magnetic beads in the test tubes so they can be separated from the supernatant.

1 Claim, 6 Drawing Sheets



US D679,831 S

Page 2

U.S. PATENT DOCUMENTS

D501,679 S 2/2005 Smith
D501,680 S 2/2005 Smith
D530,430 S 10/2006 Dunbar
D534,658 S * 1/2007 Bargh D24/229
D560,817 S 1/2008 Qian et al.
D566,851 S 4/2008 Hawker et al.
D589,626 S * 3/2009 Petersen D24/230
D595,423 S 6/2009 Johansson et al.
D596,758 S * 7/2009 Constable D24/230
D598,566 S * 8/2009 Allaer D24/230
D603,524 S 11/2009 Suzuki et al.
D621,521 S * 8/2010 Nuotio D24/224
D624,194 S * 9/2010 Pack et al. D24/224
D624,659 S * 9/2010 Nuotio D24/224
D631,557 S * 1/2011 Tajima et al. D24/229

D637,709 S 5/2011 Brede et al.
D658,778 S * 5/2012 Funnell D24/227
D662,603 S * 6/2012 Greenizen D24/227

OTHER PUBLICATIONS

Millipore Article; Amicon Ultra Centrifugal Filters; 1-Page; www.millipore.com/offices.
Office Action in co-pending U.S. Appl. No. 29/358,973, filed Apr. 2, 2010.
Final Rejection dated Aug. 1, 2011 in co-pending U.S. Appl. No. 29/358,973.
Notice of Allowance mailed Mar. 1, 2012 in co-pending U.S. Appl. No. 29/358,973.
GE Healthcare Life Science—online; “Mag Sepharose Magentic Beads: The easy way to enrich, screen and purify proteins”; 2010.

* cited by examiner

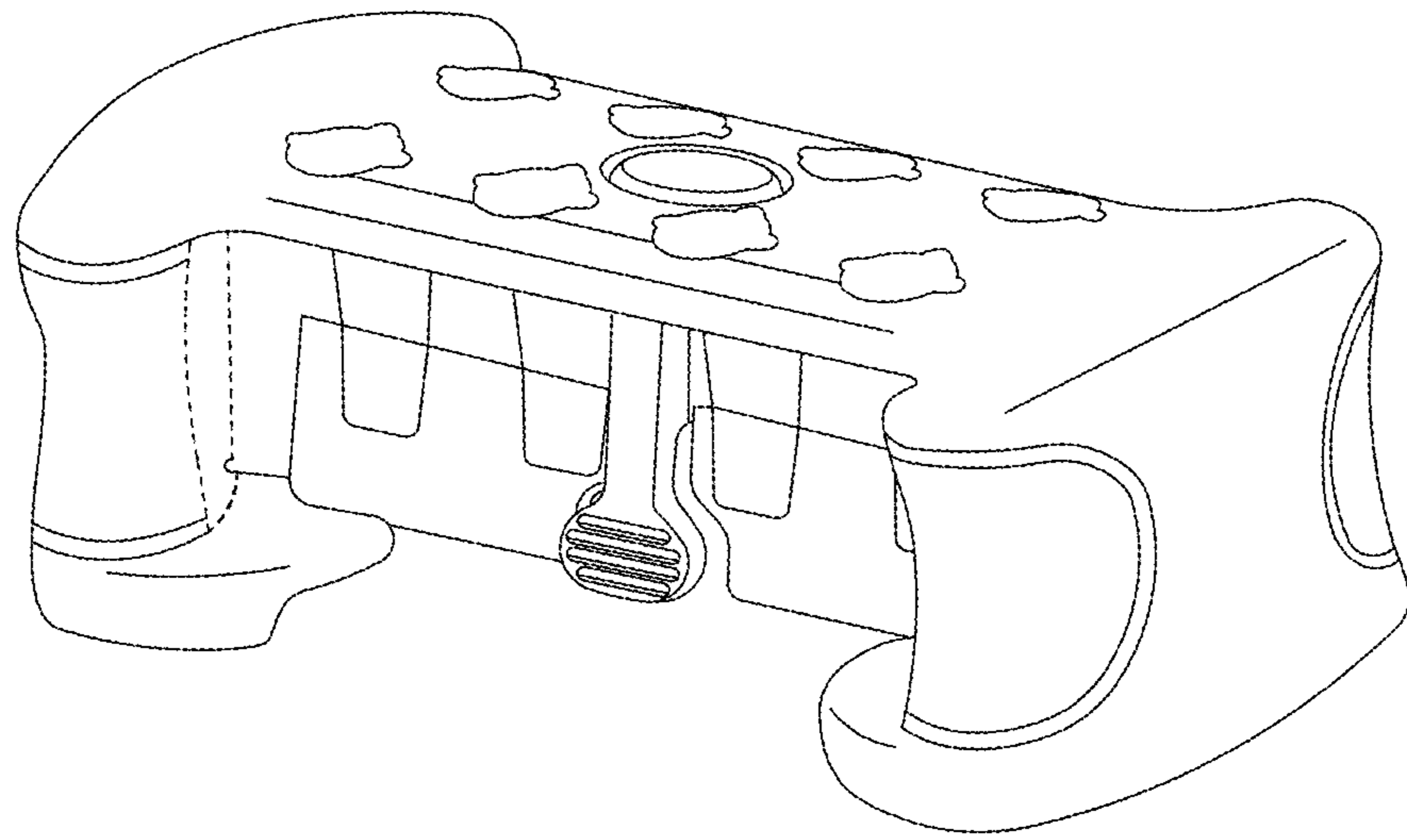


Figure 1

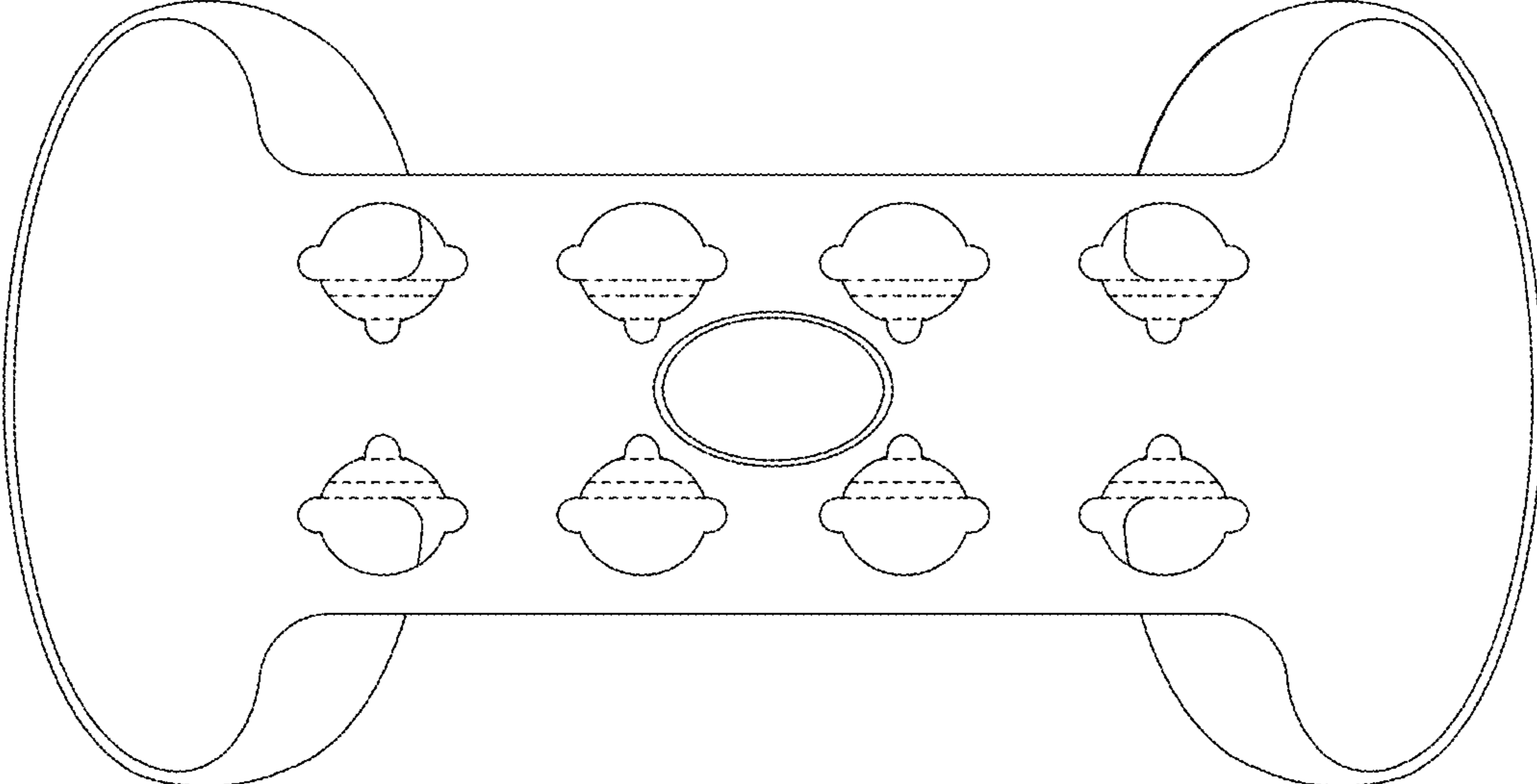


Figure 2

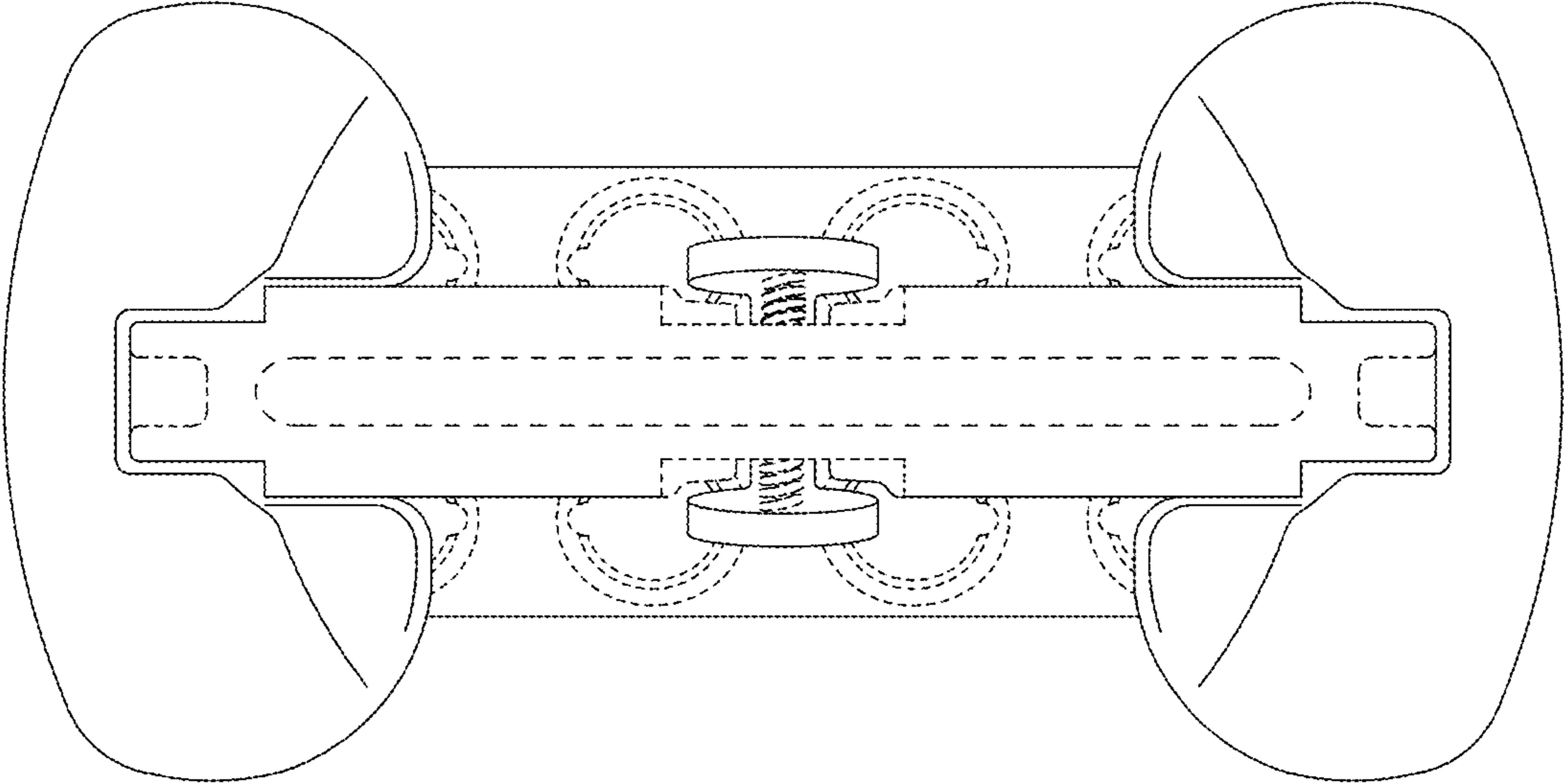


Figure 3

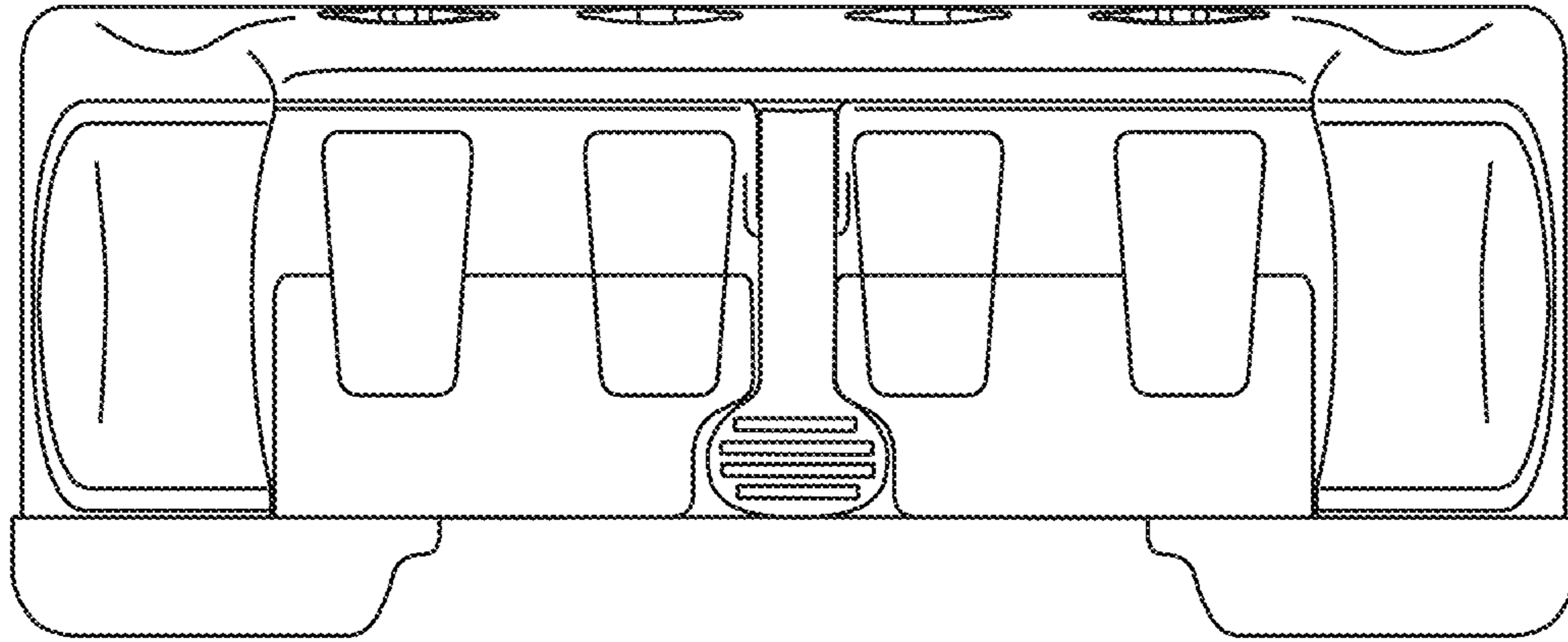


Figure 4

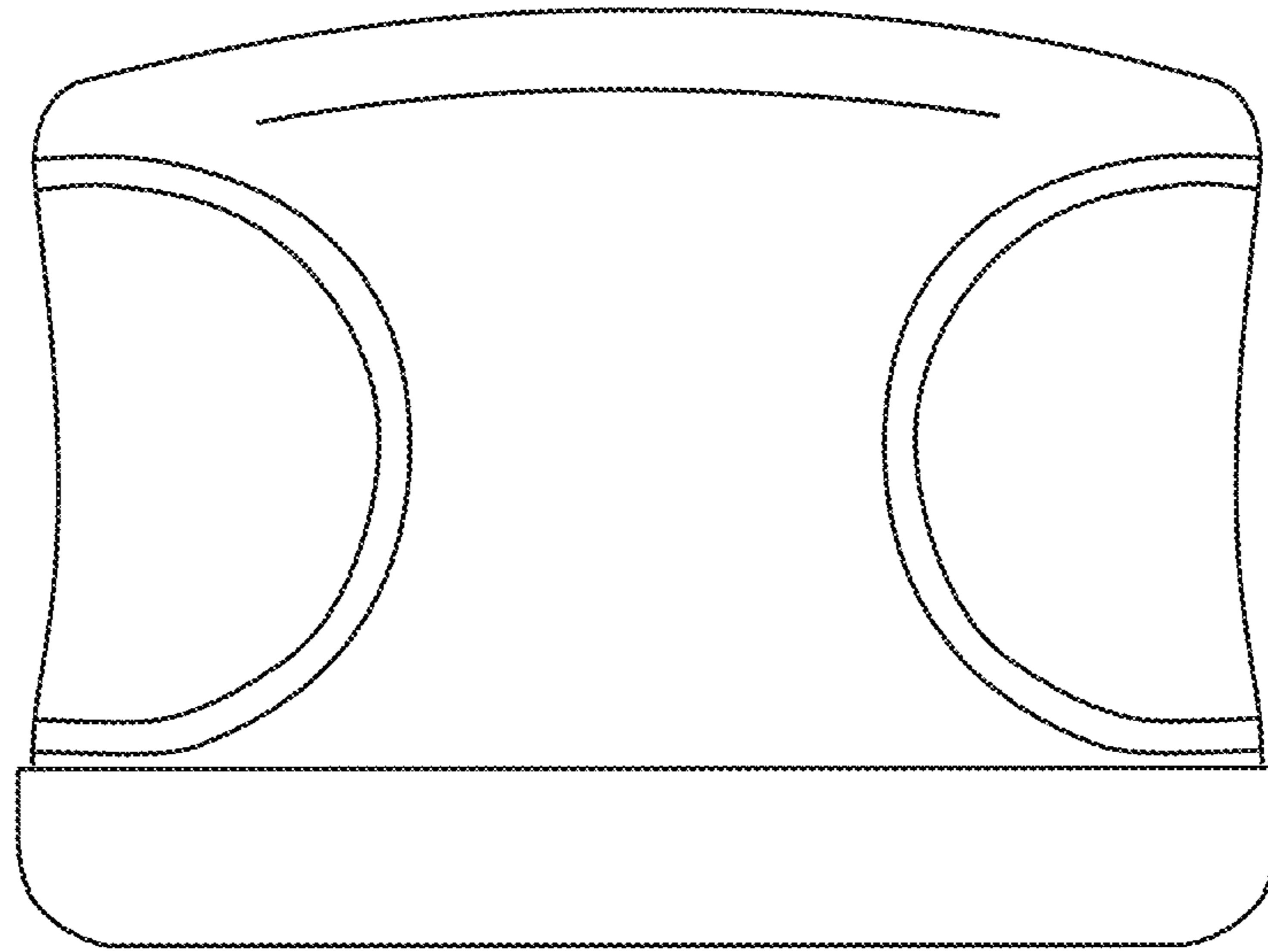


Figure 5

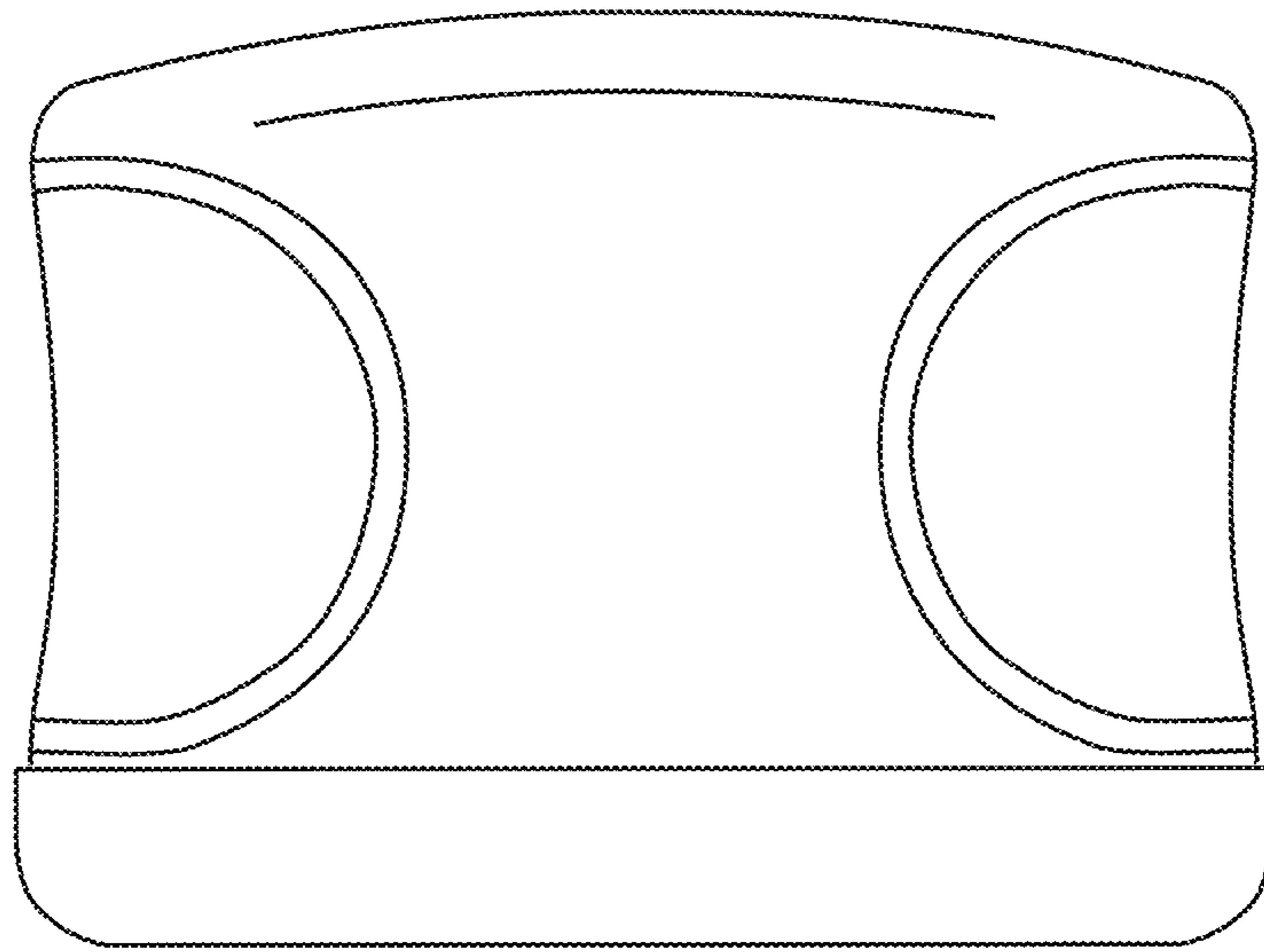


Figure 6