



US00D679829S

(12) **United States Design Patent**
Clark et al.

(10) **Patent No.:** **US D679,829 S**
(45) **Date of Patent:** **** Apr. 9, 2013**

(54) **MULTILAYER CELL CULTURE FLASK**

(75) Inventors: **Phillip Clark**, Wakefield, MA (US);
Kurt E. Greenizen, Bradford, MA (US)

(73) Assignee: **EMD Millipore Corporation**, Billerica, MA (US)

(**) Term: **14 Years**

(21) Appl. No.: **29/364,106**

(22) Filed: **Jun. 18, 2010**

(51) **LOC (9) Cl.** **24-01**

(52) **U.S. Cl.**

USPC **D24/224**

(58) **Field of Classification Search** D24/216,
D24/224, 227, 231, 232, 186, 121-123; D10/81;
422/500, 547; 435/294.1, 297.1, 297.2, 288.2,
435/304.1, 304.3, 307.1; D9/423, 424, 432,
D9/516, 523

See application file for complete search history.

(56) **References Cited**

U.S. PATENT DOCUMENTS

3,870,602	A *	3/1975	Froman et al.	435/304.3
4,334,028	A *	6/1982	Carver	435/304.3
D285,725	S *	9/1986	Franchere	D24/224
D287,638	S *	1/1987	Moore et al.	D24/224
D291,730	S *	9/1987	Kelln et al.	D24/224
4,770,854	A *	9/1988	Lyman	422/556
D303,428	S *	9/1989	Wada et al.	D24/224
D303,568	S *	9/1989	Gabridge	D24/224
5,139,952	A *	8/1992	Honda et al.	422/547
5,310,676	A	5/1994	Johansson et al.		
D355,964	S *	2/1995	Nelvig	D24/158
5,462,874	A *	10/1995	Wolf et al.	435/297.5
D375,565	S *	11/1996	Autrey et al.	D24/224
D379,521	S *	5/1997	Stevens et al.	D24/224
5,695,987	A *	12/1997	Kayal et al.	435/304.1

(Continued)

FOREIGN PATENT DOCUMENTS

WO 88/00235 A1 1/1988
WO 92/05243 A1 2/1992

(Continued)

OTHER PUBLICATIONS

Office Action dated Jul. 26, 2011 in corresponding U.S. Appl. No. 29/364,108.

(Continued)

Primary Examiner — Anhdao Doan

(74) *Attorney, Agent, or Firm* — Nields, Lemack & Frame, LLC

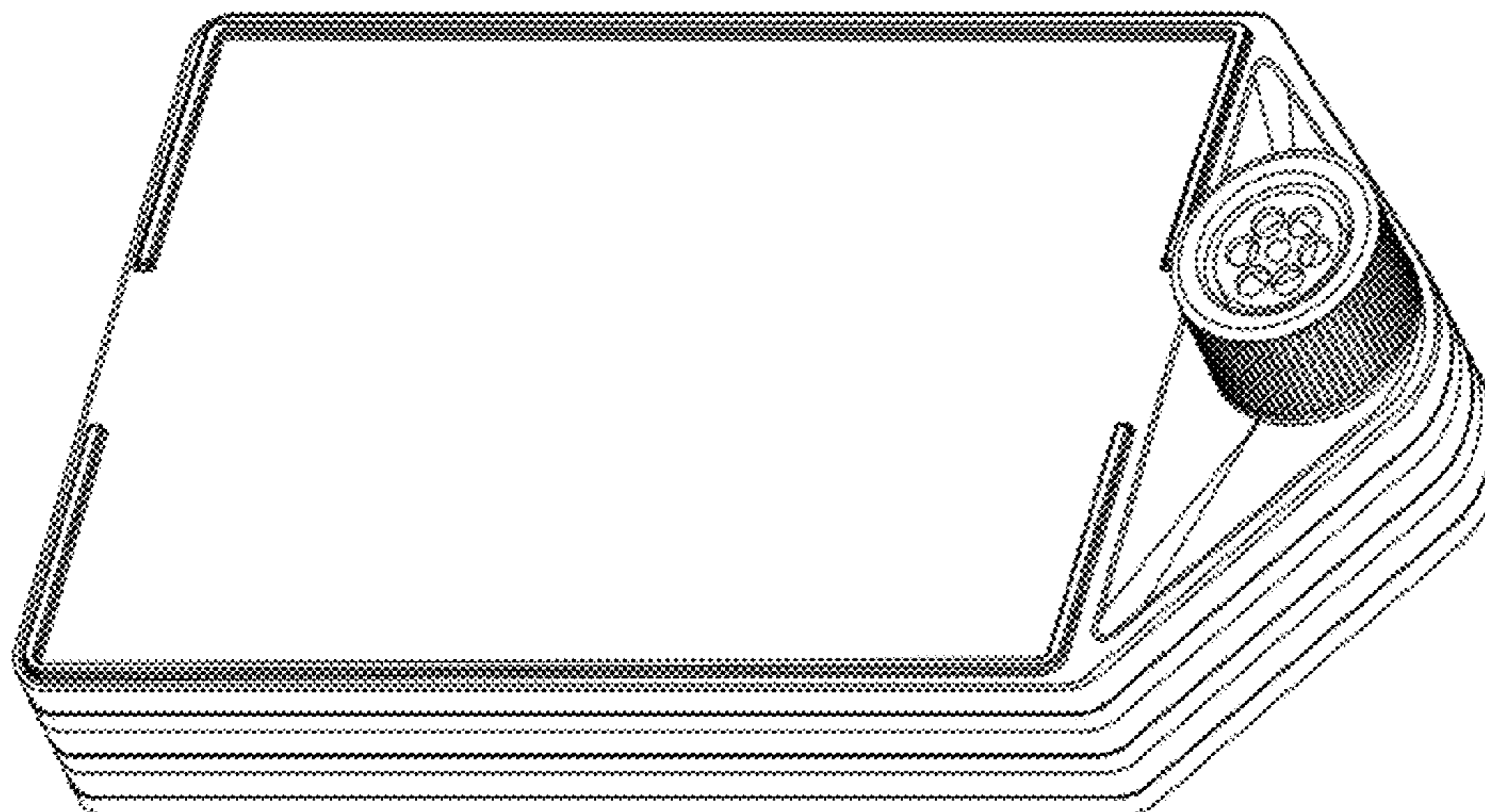
(57) **CLAIM**

The ornamental design for multilayer cell culture flask, as shown and described.

DESCRIPTION

FIG. 1 is a first end view of a multilayer cell culture flask; FIG. 2 is a second view thereof; FIG. 3 is a front view thereof; FIG. 4 is a perspective view thereof with the access port cap on; FIG. 5 is a perspective view thereof with the access port cap off; FIG. 6 is a bottom view thereof; FIG. 7 is a top view thereof; FIG. 8 is an enlarged perspective view of a portion of the multilayer cell culture flask with the access port cap on; and, FIG. 9 is an enlarged perspective view of a portion of the multilayer cell culture flask with the access port cap off. The broken lines in all drawing views are included for the purpose of illustrating portions of the multilayer cell culture flask that form no part of the claimed design.

1 Claim, 9 Drawing Sheets



U.S. PATENT DOCUMENTS

5,783,440 A * 7/1998 Stevens 435/304.3
6,107,085 A 8/2000 Coughlin et al.
6,569,675 B2 * 5/2003 Wall et al. 435/304.2
6,818,438 B2 * 11/2004 Muser 435/304.3
7,745,210 B2 6/2010 Martin
7,820,431 B2 10/2010 Kenney et al.
2001/0055803 A1 12/2001 Wall et al.
2002/0045252 A1 4/2002 Yamashita et al.
2004/0209755 A1 10/2004 Moore et al.
2005/0074873 A1 4/2005 Shanler et al.
2006/0205065 A1 * 9/2006 Bossi et al. 435/304.3
2010/0129900 A1 5/2010 Clark et al.

FOREIGN PATENT DOCUMENTS

WO 98/10055 A1 3/1998
WO 2008/069902 A2 6/2008
WO 2010/008566 A2 1/2010

OTHER PUBLICATIONS

Japanese communication, with English translation, dispatched May 31, 2011 in corresponding foreign patent application No. JP 2010-030406.

Japanese communication, with English translation, dispatched May 31, 2011 in corresponding foreign patent application No. JP 2010-030395.

Final Rejection mailed Jan. 4, 2012 in corresponding U.S. Appl. No. 29/364,108.

Office Action-Restriction-mailed Feb. 13, 2012 in co-pending U.S. Appl. No. 12/460,265.

Office Action mailed Apr. 23, 2012 in corresponding U.S. Appl. No. 29/364,108.

Notice of Allowance mailed Jun. 15, 2012 in corresponding U.S. Appl. No. 29/364,108.

Notice of Allowance mailed Jun. 26, 2012 in corresponding U.S. Appl. No. 29/364,108.

Notice of Allowance mailed Aug. 8, 2012 in corresponding U.S. Appl. No. 29/364,108.

Japanese Communication dispatched Mar. 27, 2012 in co-pending Japanese Patent Application No. 2011-518730.

Office Action mailed Jun. 25, 2012 in co-pending U.S. Appl. No. 12/460,265.

* cited by examiner

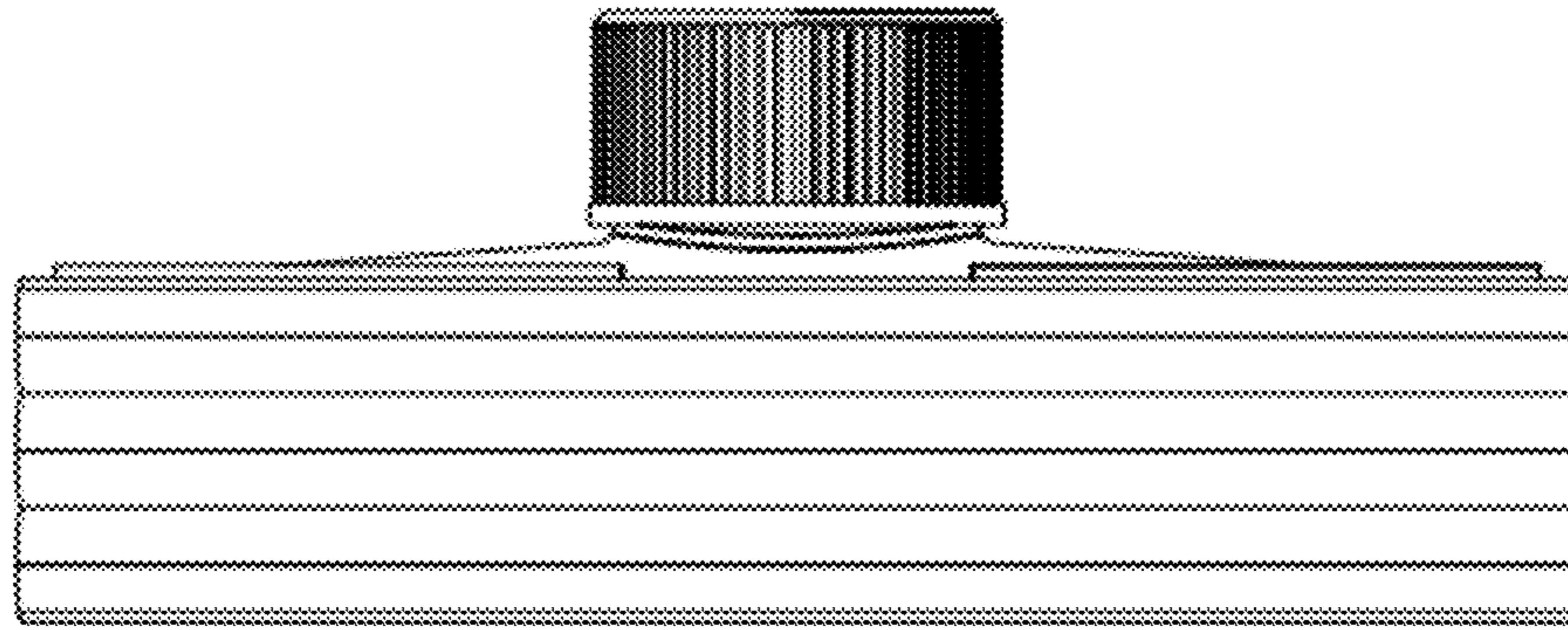


FIG. 1

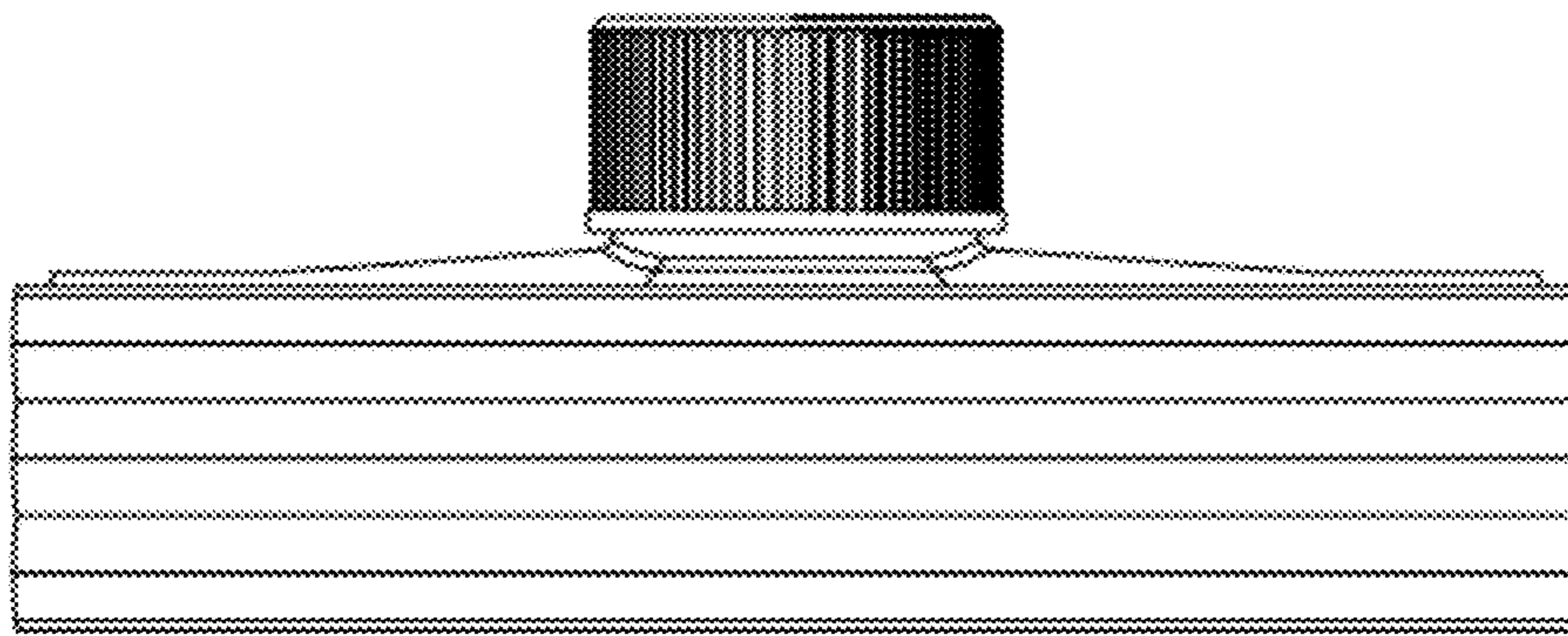


FIG. 2

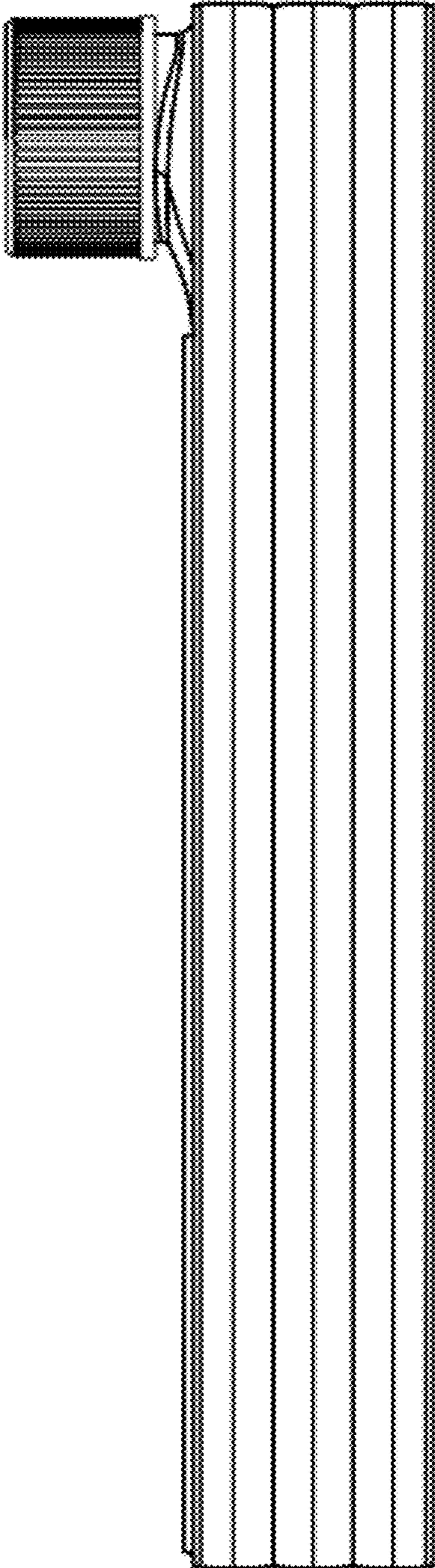


FIG. 3

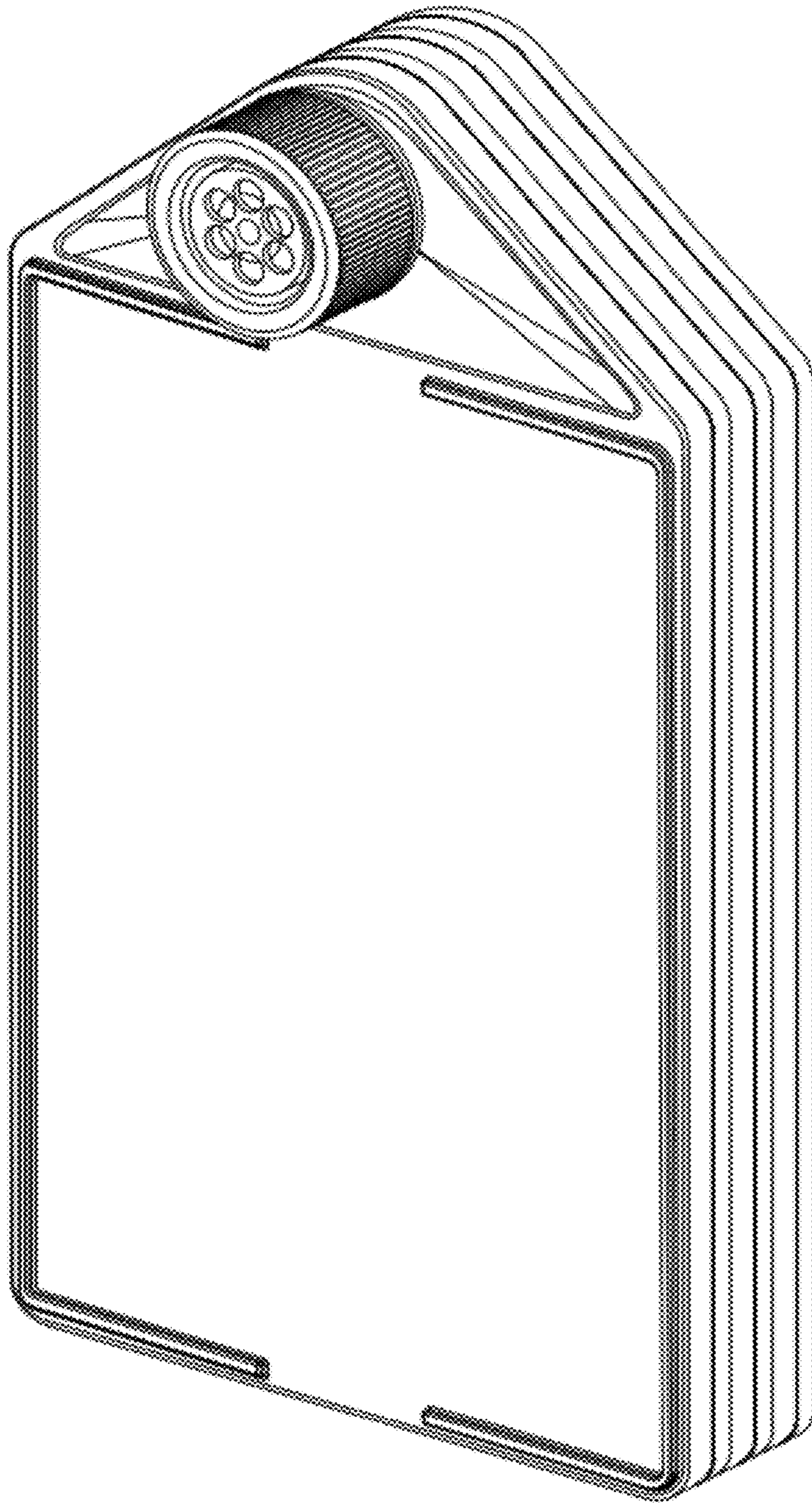


FIG. 4

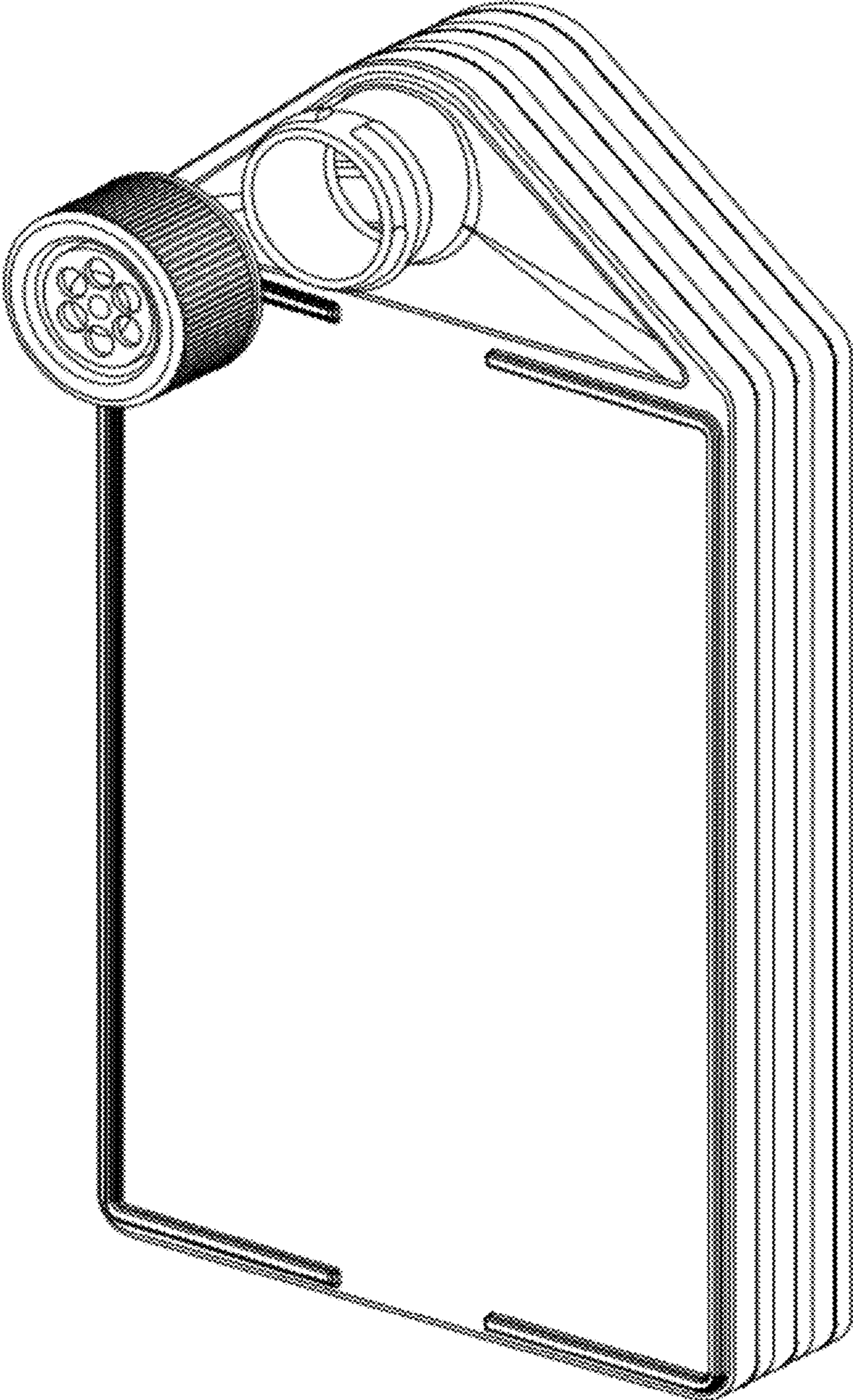


FIG. 5

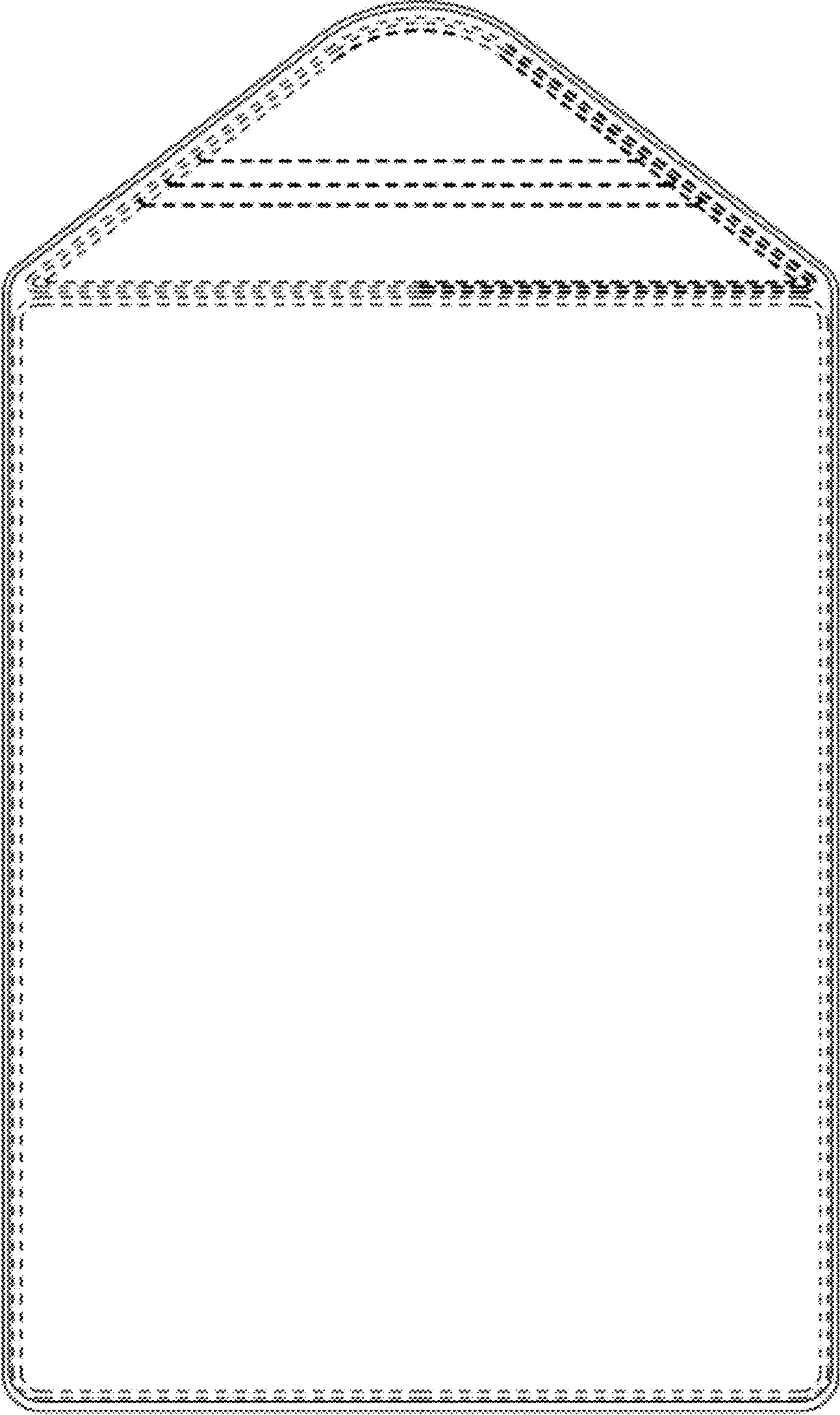


FIG. 6

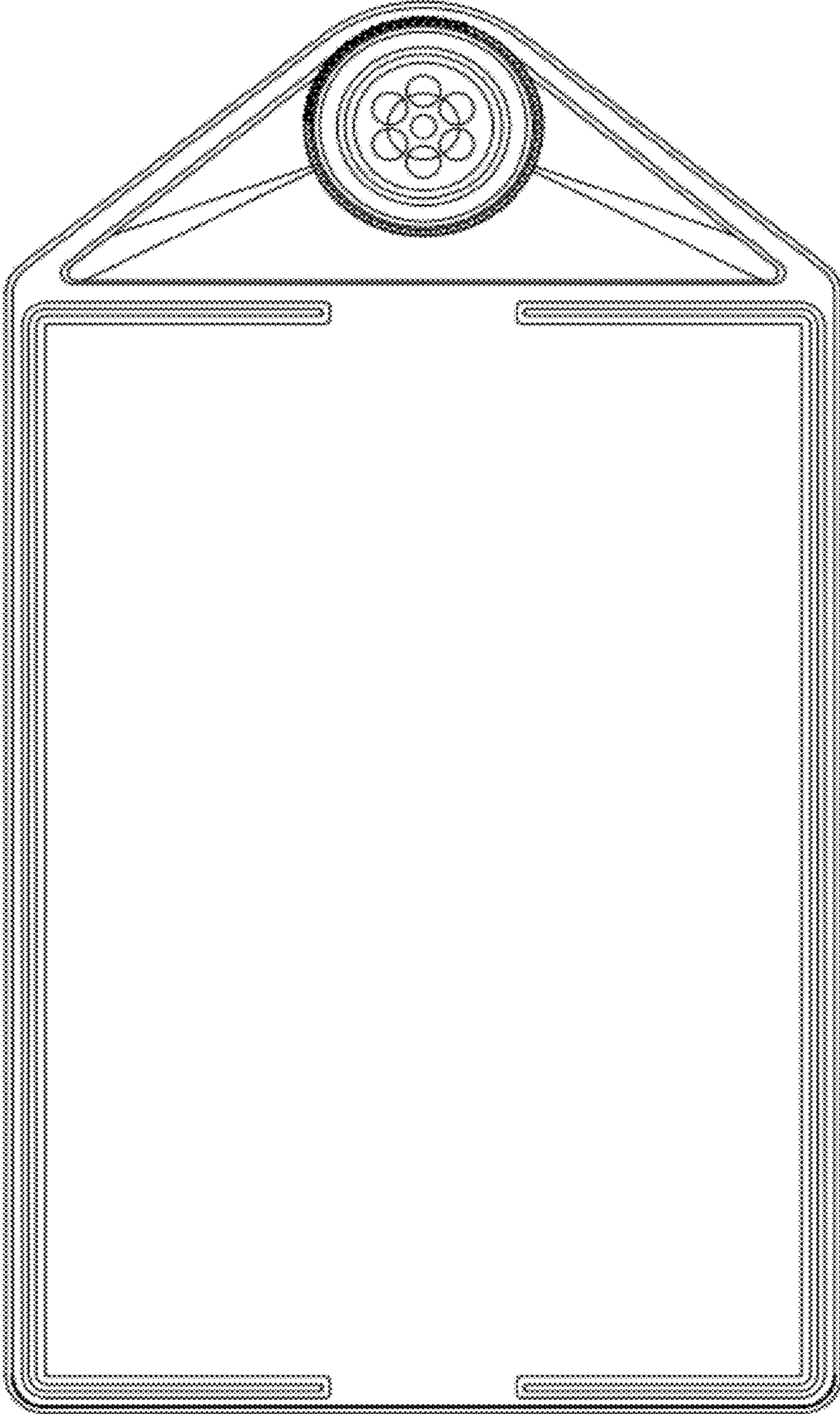


FIG. 7

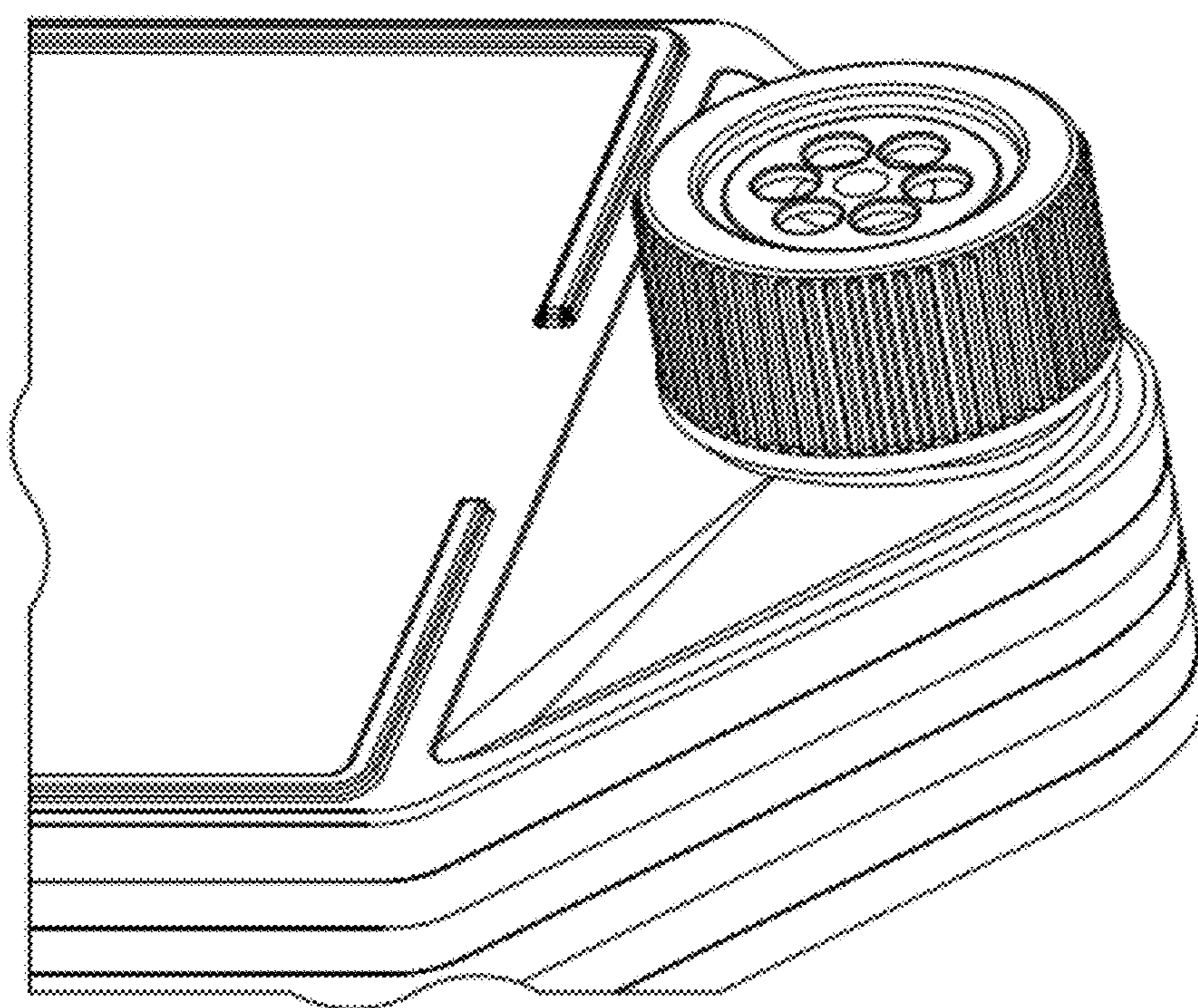


FIG. 8

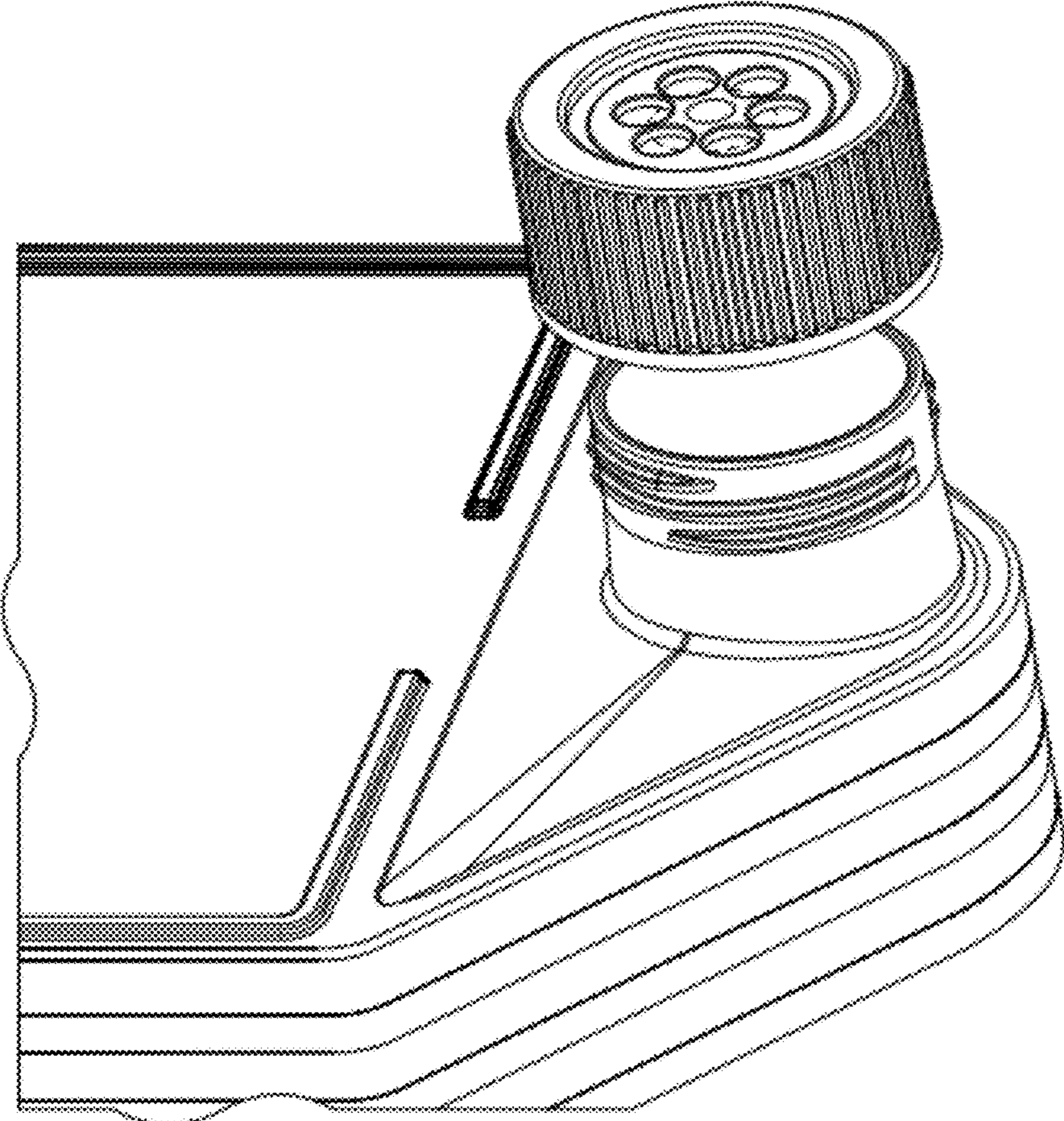


FIG. 9